



US00D919793S

(12) **United States Design Patent**
Lee

(10) **Patent No.:** **US D919,793 S**

(45) **Date of Patent:** **** May 18, 2021**

(54) **AROMA DIFFUSER**

(71) Applicant: **PUZHEN LIFE CO., LTD**, Hong Kong (HK)

(72) Inventor: **Leander Lee**, Hong Kong (HK)

(73) Assignee: **PUZHEN LIFE CO., LTD**, Hong Kong (HK)

(**) Term: **15 Years**

(21) Appl. No.: **29/708,837**

(22) Filed: **Oct. 10, 2019**

(30) **Foreign Application Priority Data**

May 16, 2019 (HK) 1913652.8M001

(51) **LOC (13) Cl.** **28-99**

(52) **U.S. Cl.**
USPC **D23/366**

(58) **Field of Classification Search**

USPC D23/209, 355, 356, 358, 359, 360, 364,
D23/365, 366, 367; D99/5; D17/22
CPC . A61L 9/03; A61L 9/012; A61L 9/015; A61L
9/037; F41J 1/01

See application file for complete search history.

(56) **References Cited**

U.S. PATENT DOCUMENTS

D635,398 S * 4/2011 Watabe D7/400
D650,056 S * 12/2011 Li D23/366

D652,661 S * 1/2012 Lipfert D6/556
D720,063 S * 12/2014 Li D23/366
D732,653 S * 6/2015 Hsiao D23/366
D766,128 S * 9/2016 Muhlbauer D11/152
D771,439 S * 11/2016 Miller D7/523
D820,424 S * 6/2018 Li D23/366
D831,185 S * 10/2018 Li D23/366
D840,013 S * 2/2019 Zhang D23/366
D842,446 S * 3/2019 Wen D23/366
D849,916 S * 5/2019 Wen D23/366
D862,677 S * 10/2019 Li D23/366

* cited by examiner

Primary Examiner — John A Voytek

(57) **CLAIM**

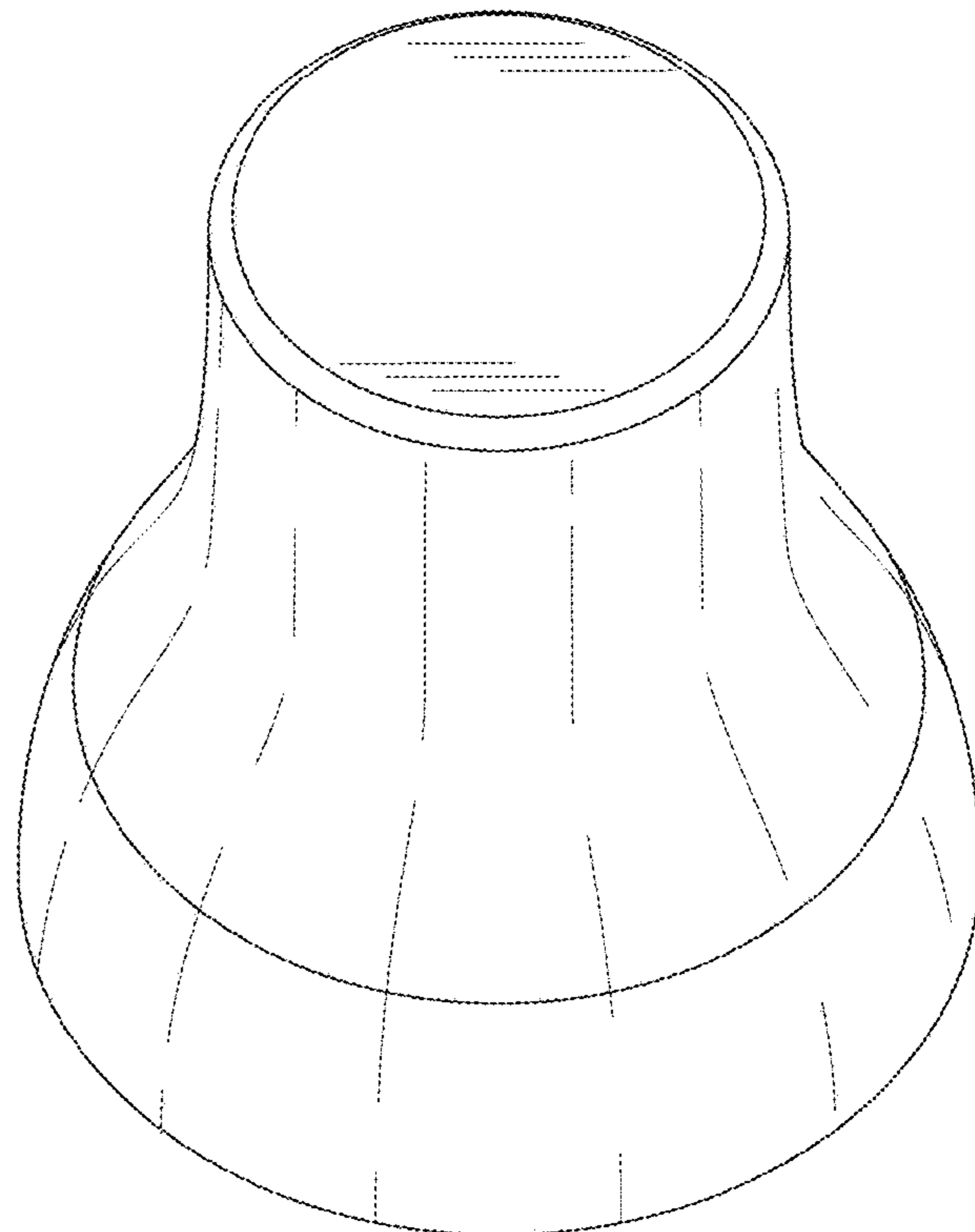
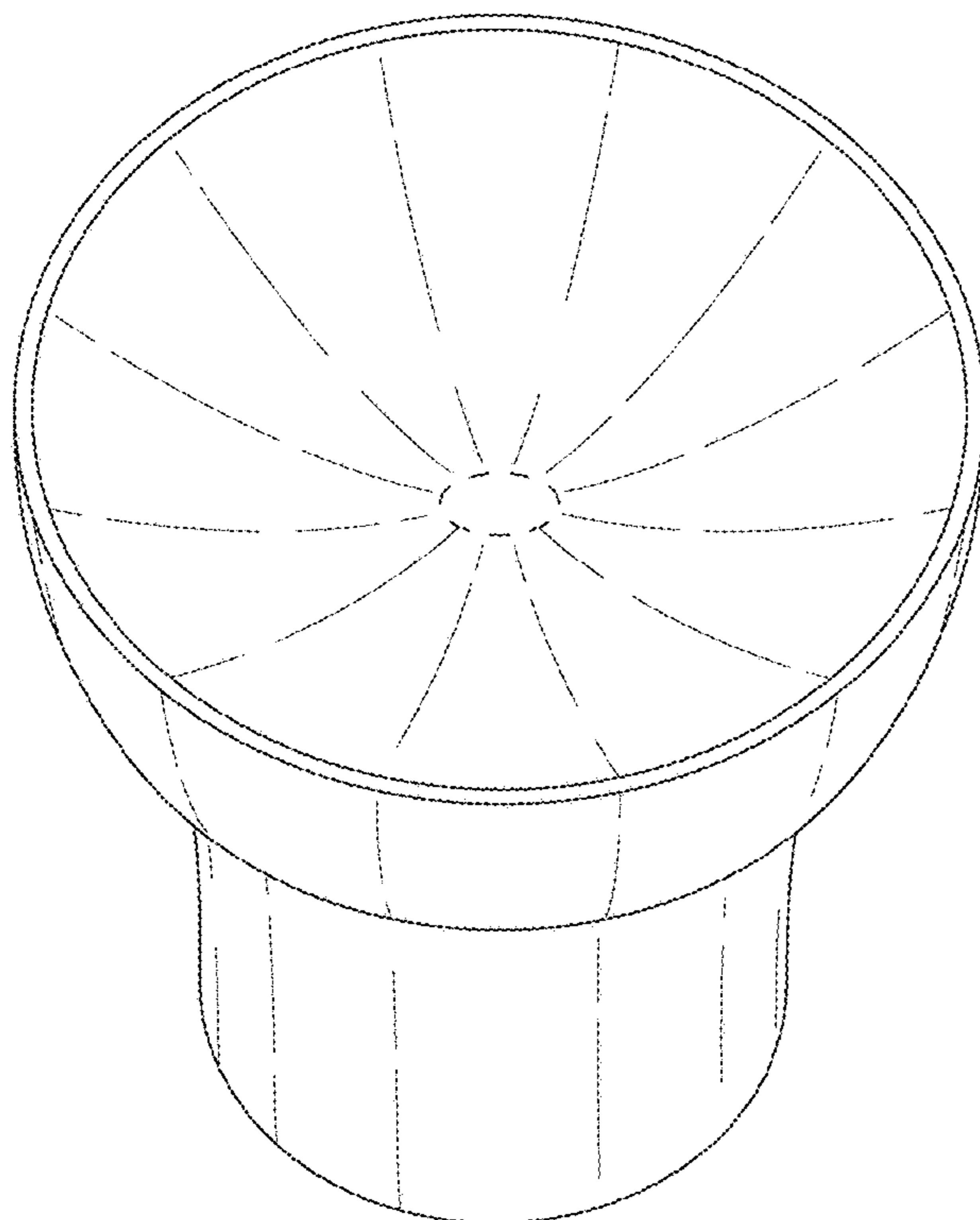
The ornamental design for an aroma diffuser, as shown and described.

DESCRIPTION

FIG. 1 is a front elevational view of an aroma diffuser showing my new design;
FIG. 2 is a rear elevational view thereof;
FIG. 3 is a left side view thereof;
FIG. 4 is a right side view thereof;
FIG. 5 is a top plan view thereof;
FIG. 6 is a bottom plan view thereof;
FIG. 7 is a top perspective view thereof; and,
FIG. 8 is a bottom perspective view thereof.

The broken lines in the drawings illustrate portions of the aroma diffuser which form no part of the claimed design.

1 Claim, 8 Drawing Sheets



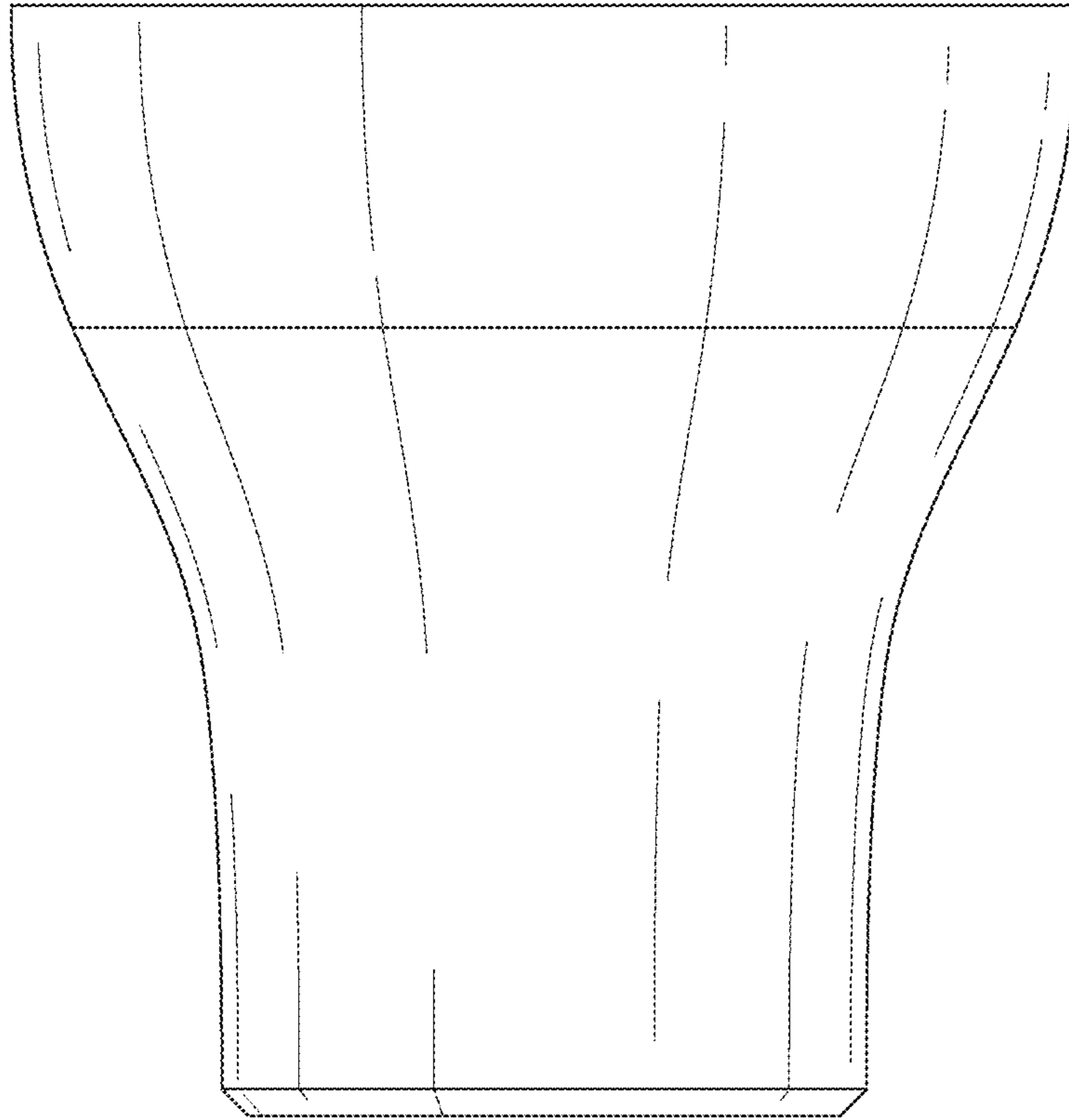


Fig. 1

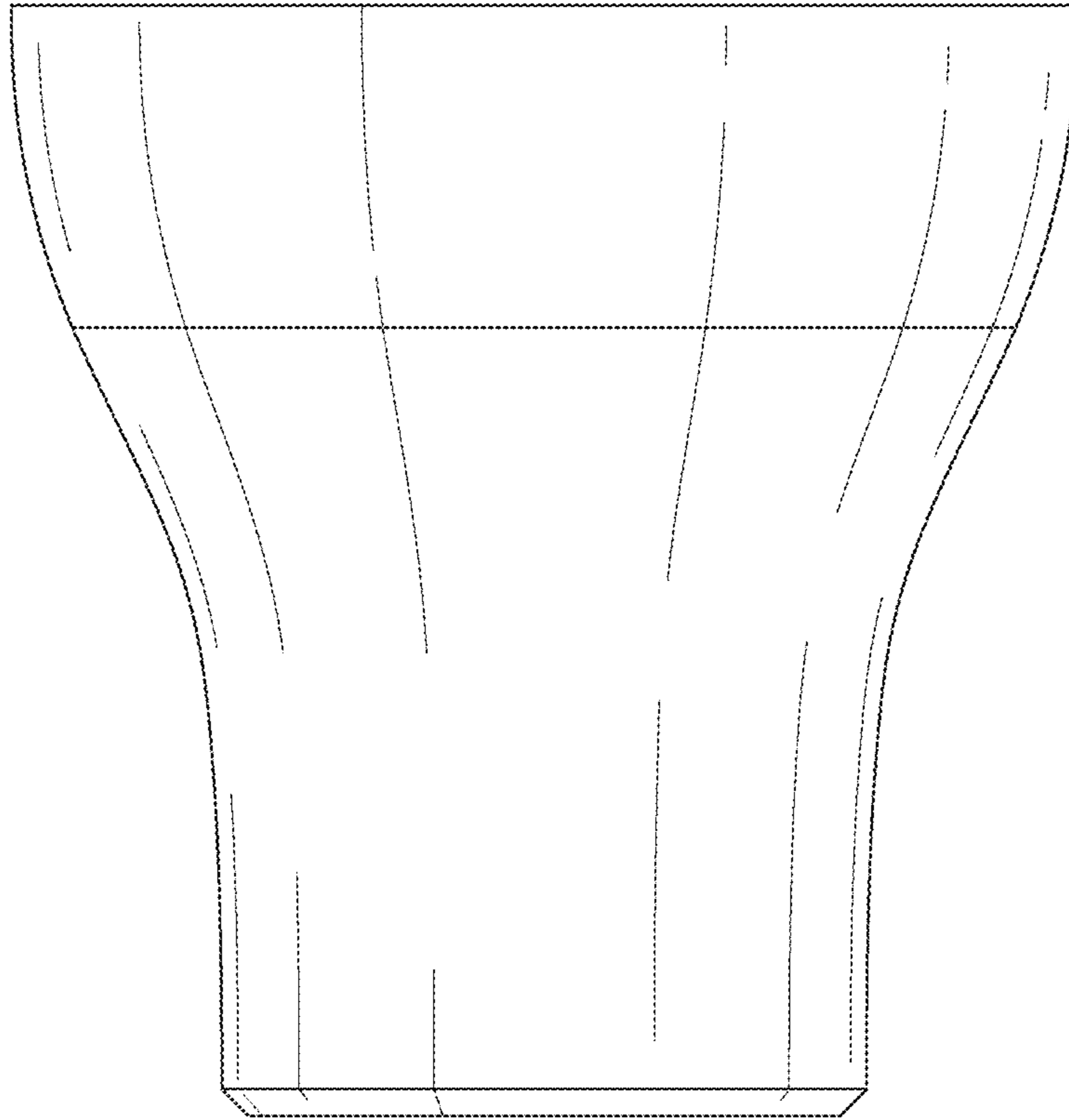


Fig. 2

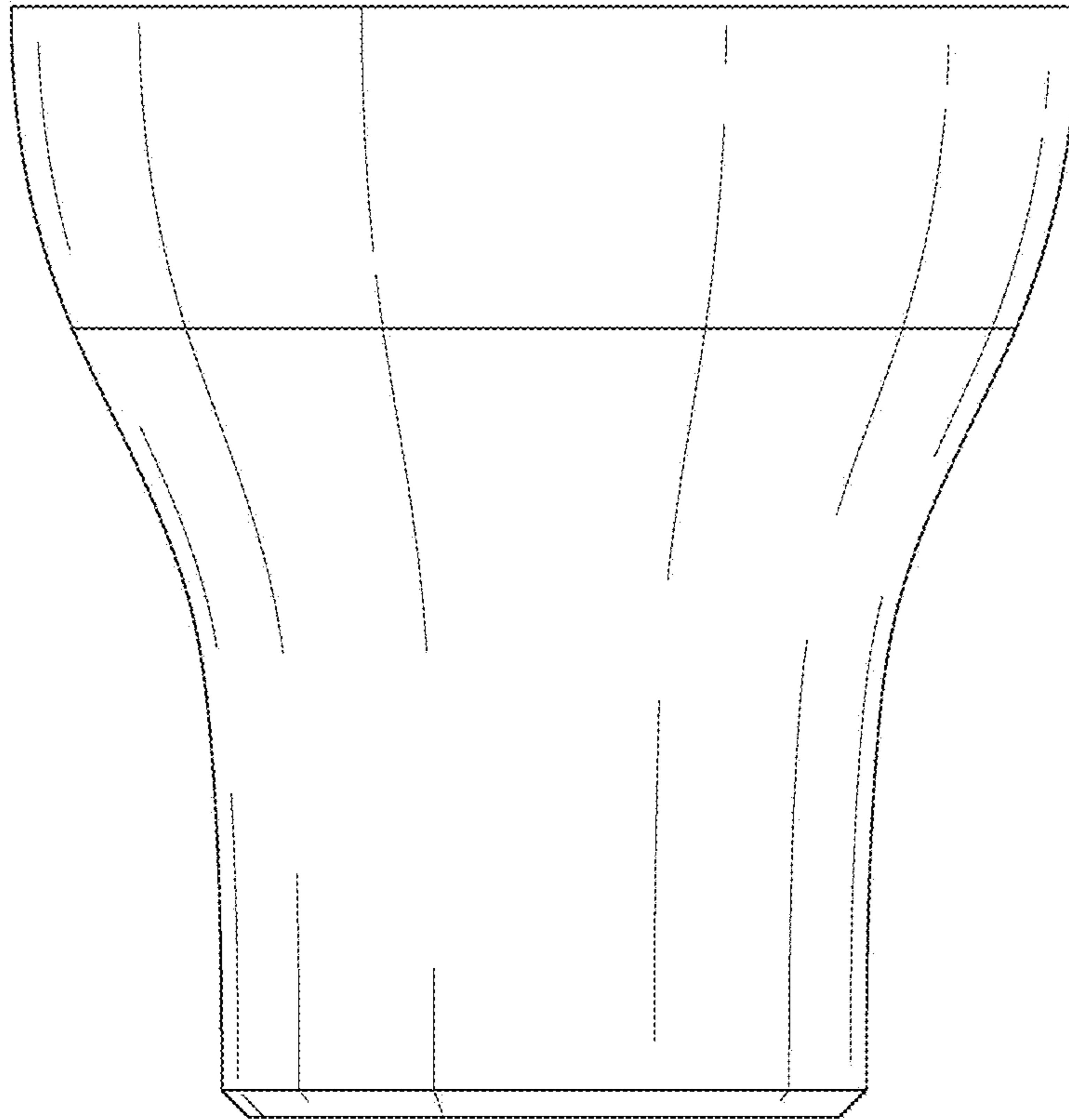


Fig. 3

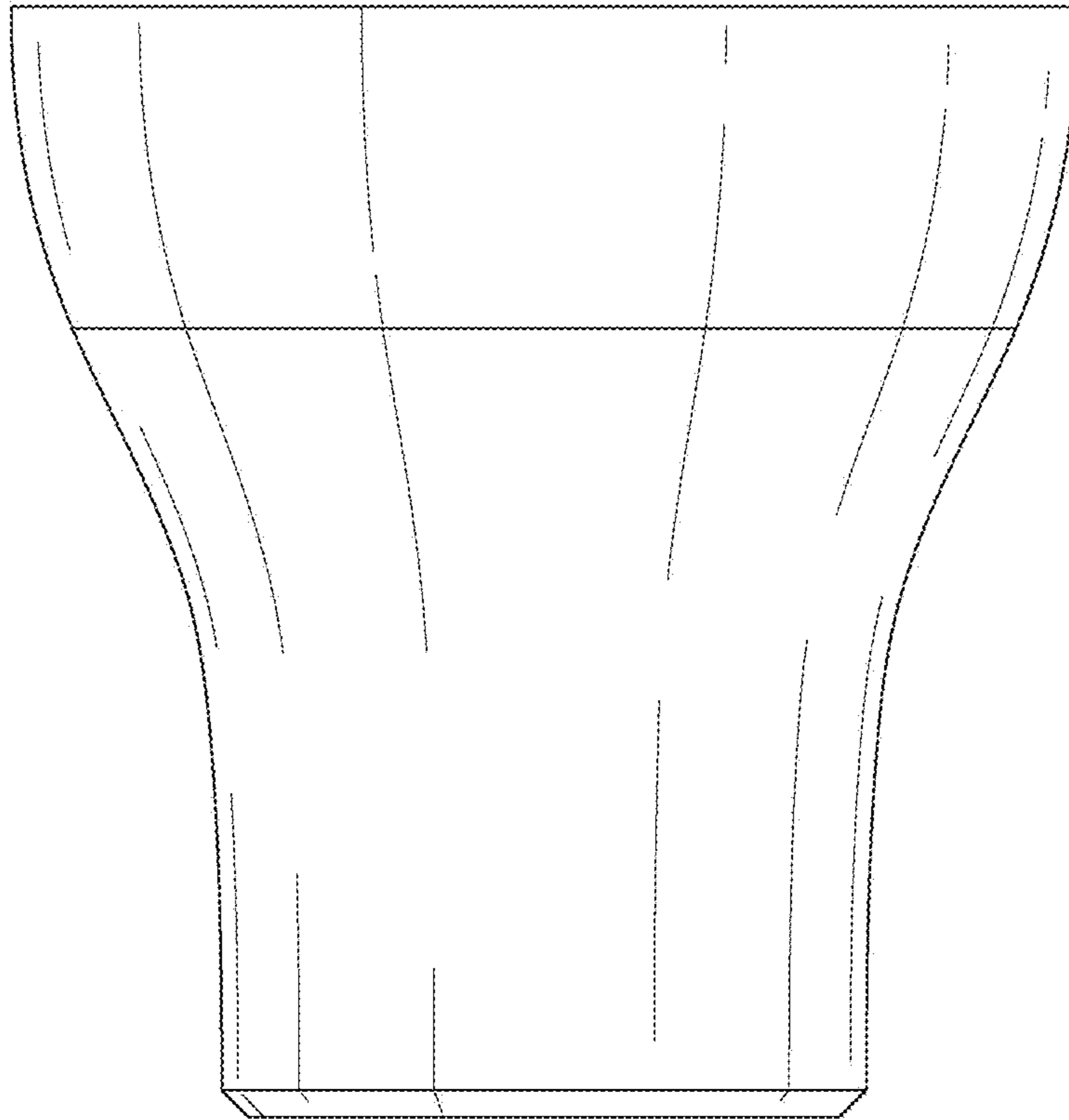


Fig. 4

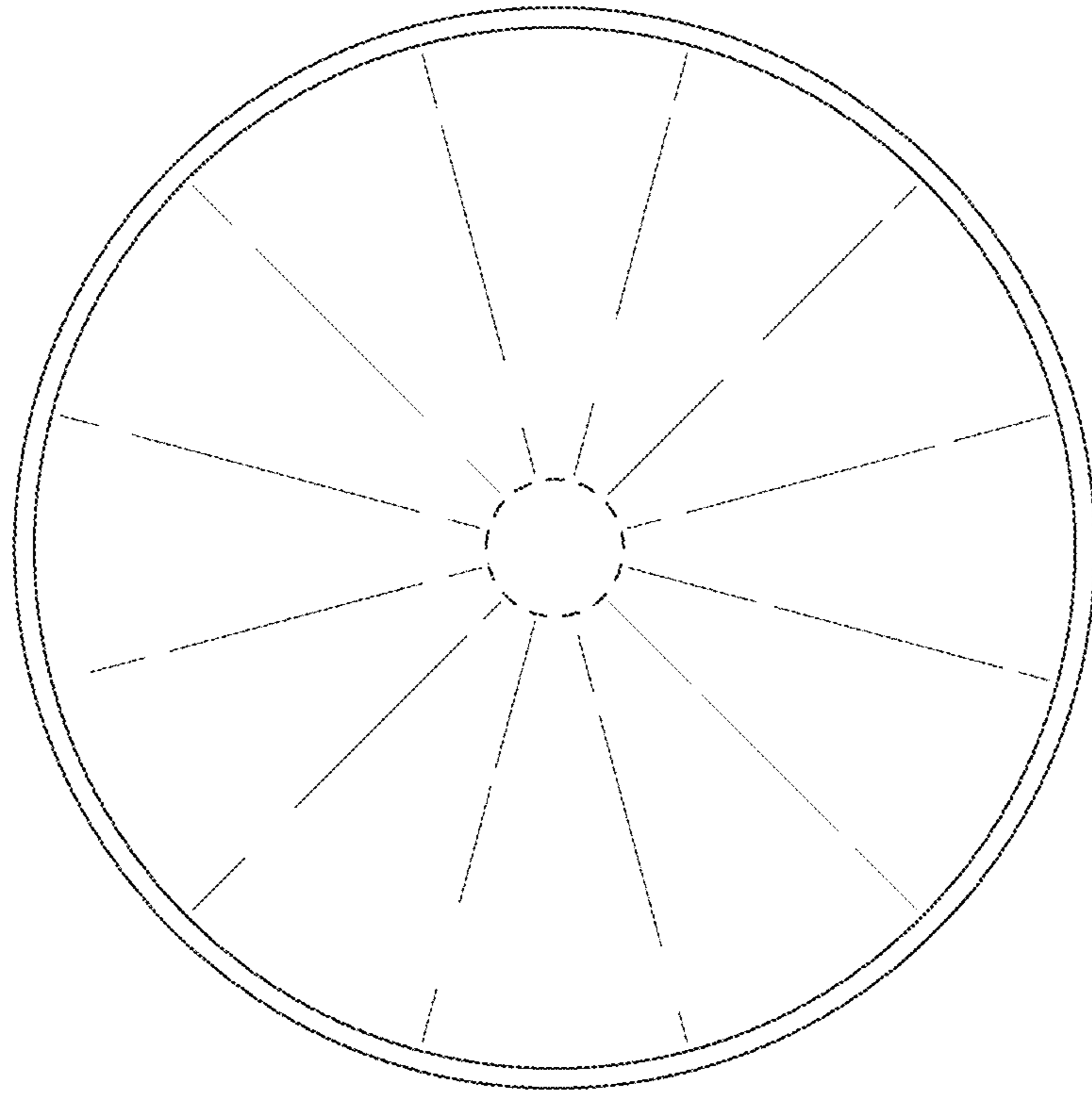


Fig. 5

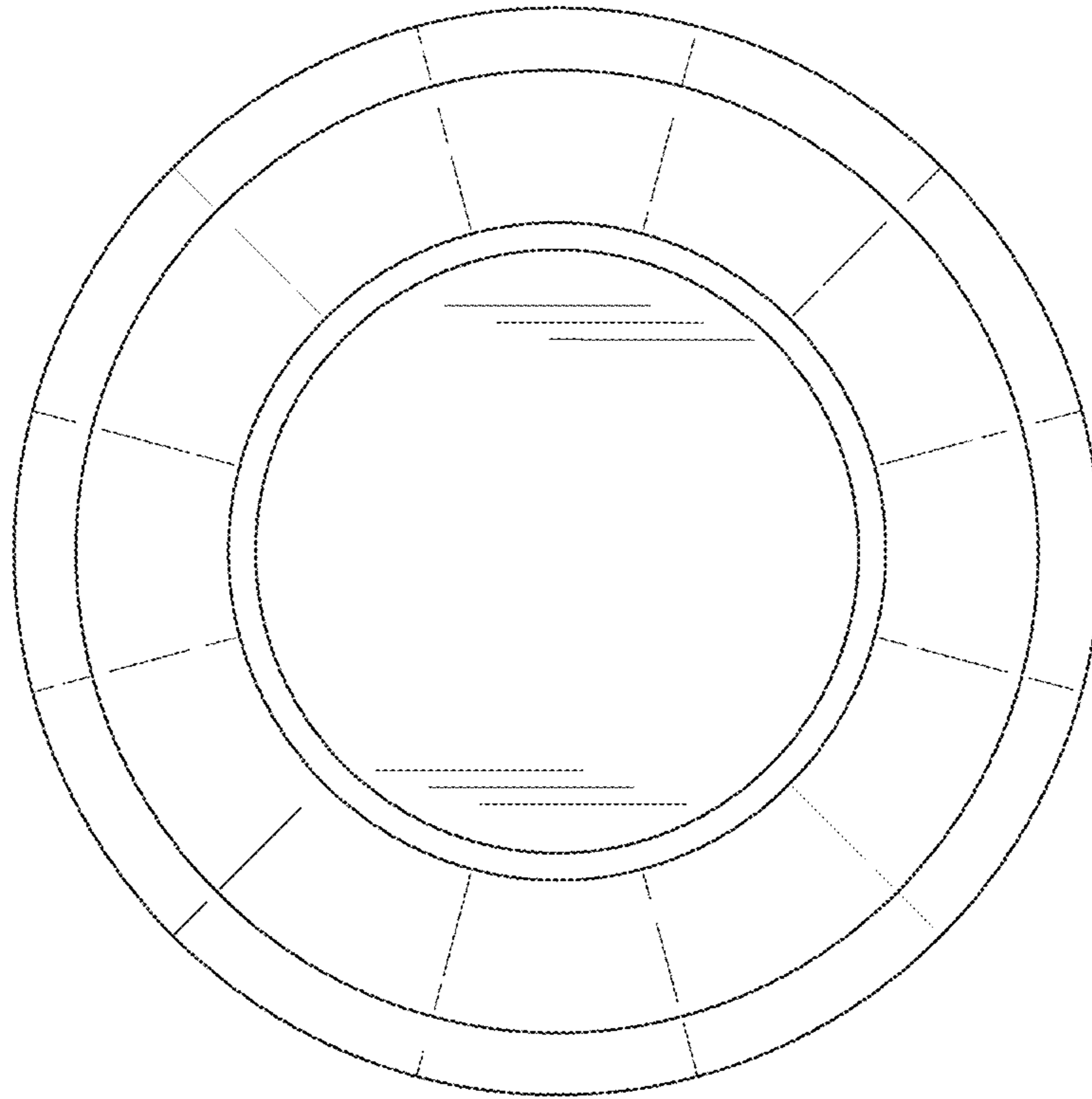


Fig. 6

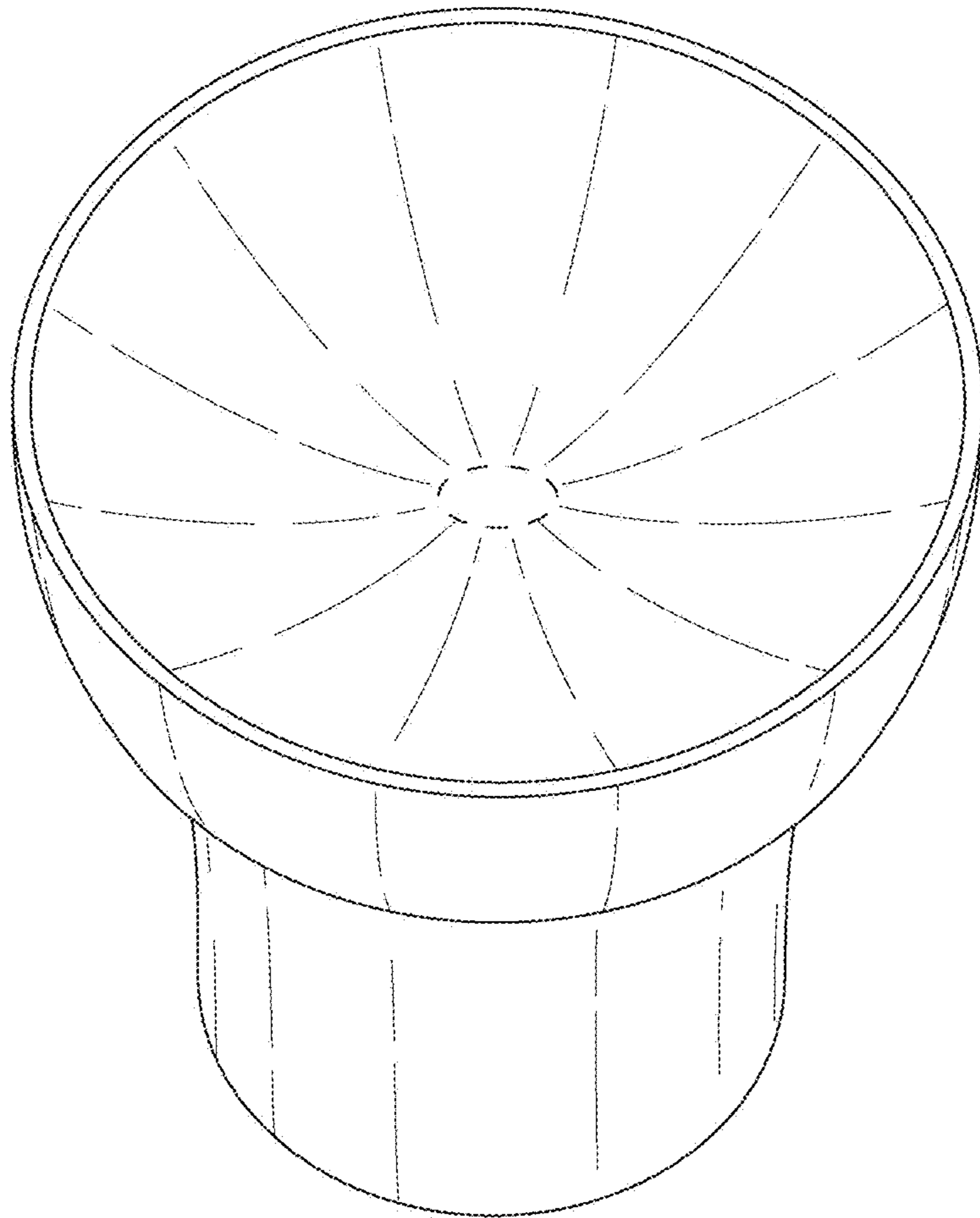


Fig. 7

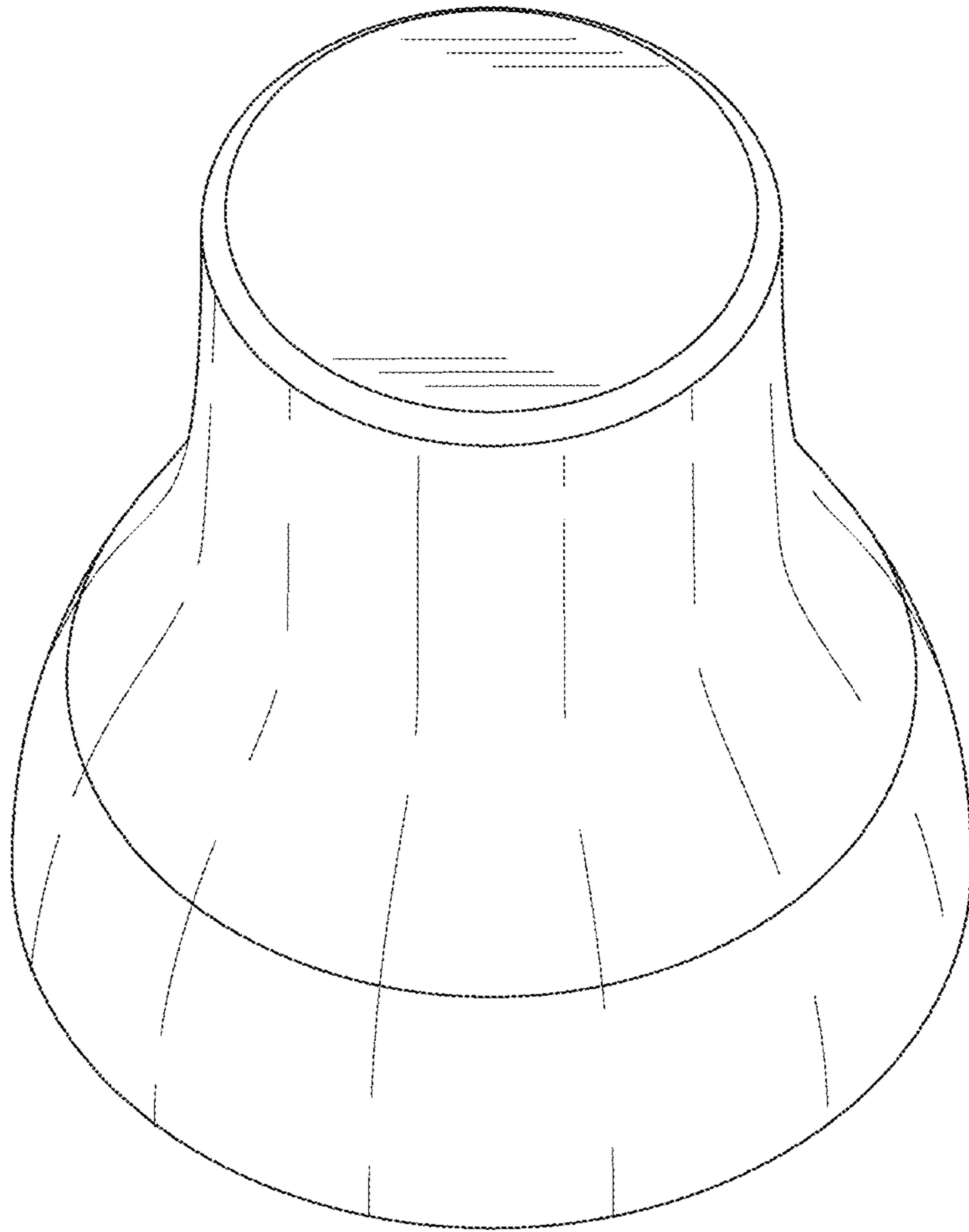


Fig. 8