



US00D919790S

(12) **United States Design Patent**
Lee

(10) **Patent No.:** **US D919,790 S**

(45) **Date of Patent:** **** May 18, 2021**

(54) **AROMA DIFFUSER**

(71) Applicant: **PUZHEN LIFE CO., LTD**, Hong Kong (HK)

(72) Inventor: **Leander Lee**, Hong Kong (HK)

(73) Assignee: **PUZHEN LIFE CO., LTD**, Hong Kong (HK)

(**) Term: **15 Years**

(21) Appl. No.: **29/703,651**

(22) Filed: **Aug. 28, 2019**

(30) **Foreign Application Priority Data**

May 30, 2019 (HK) 1913782.3M003

(51) **LOC (13) Cl.** **28-99**

(52) **U.S. Cl.**
USPC **D23/366**

(58) **Field of Classification Search**
USPC D23/209, 355, 356, 358, 359, 360, 364,
D23/365, 366, 367; D7/300, 312, 317;
D9/504, 519, 529, 686; D11/131.1;
D28/89; D99/5
CPC . A61L 9/03; A61L 9/012; A61L 9/015; A61L
9/037; F41J 1/01
See application file for complete search history.

(56) **References Cited**

U.S. PATENT DOCUMENTS

D610,009 S * 2/2010 Prufer D9/504
D733,859 S * 7/2015 Hsiao D23/366

D828,534 S * 9/2018 Hu D23/366
D856,501 S * 8/2019 Netkin D23/366
D862,671 S * 10/2019 Zhou D23/356
D870,896 S * 12/2019 Komaki D24/186
RE48,037 E * 6/2020 Marina B65D 41/18
D9/454
D888,913 S * 6/2020 Ling D23/333
D895,092 S * 9/2020 Peng D23/356
2015/0117056 A1 * 4/2015 Hsiao G02B 6/0045
362/611
2020/0222575 A1 * 7/2020 Rigby A61L 9/122
2020/0239210 A1 * 7/2020 Schramm B65B 5/04

* cited by examiner

Primary Examiner — John A Voytek

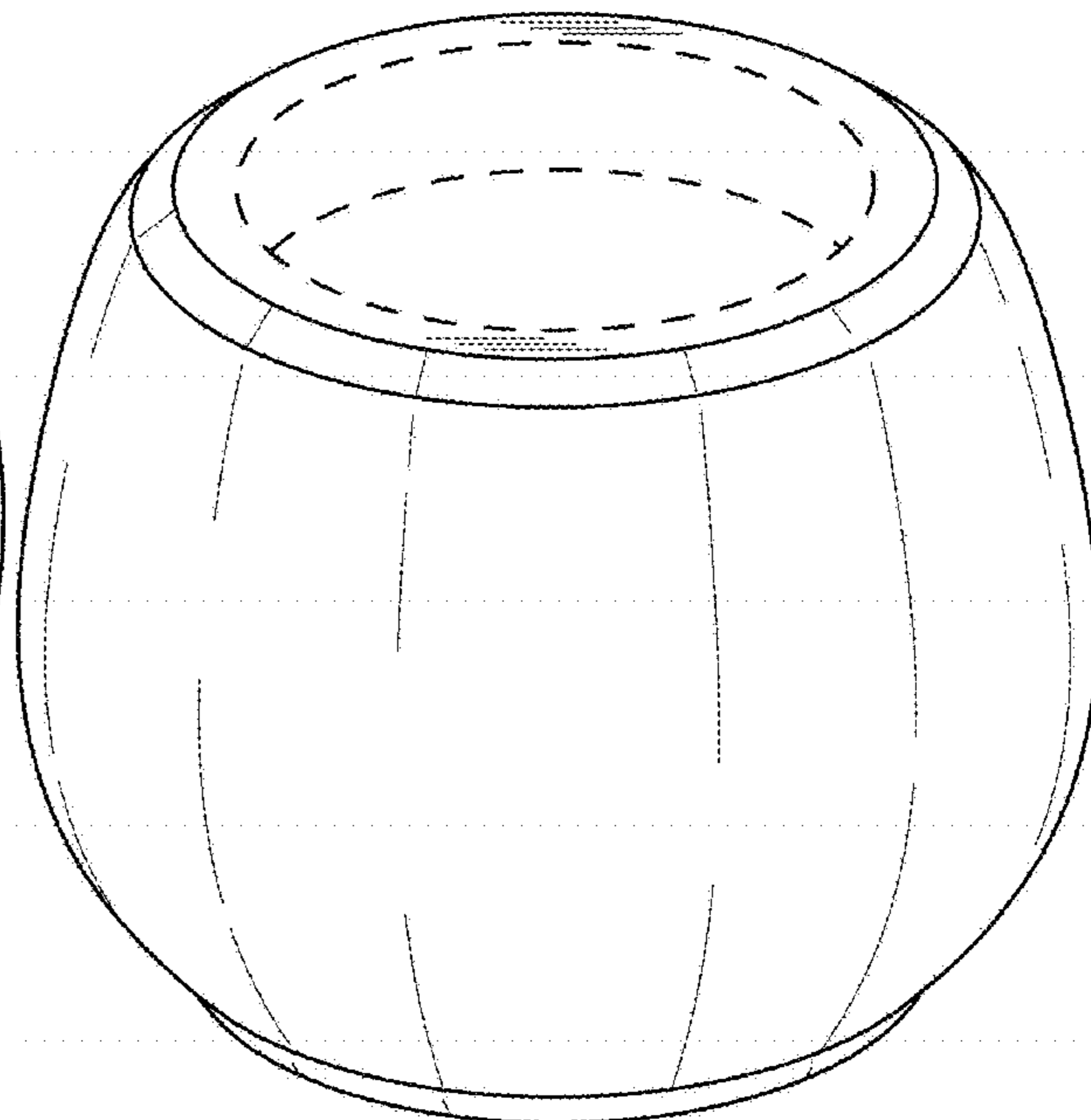
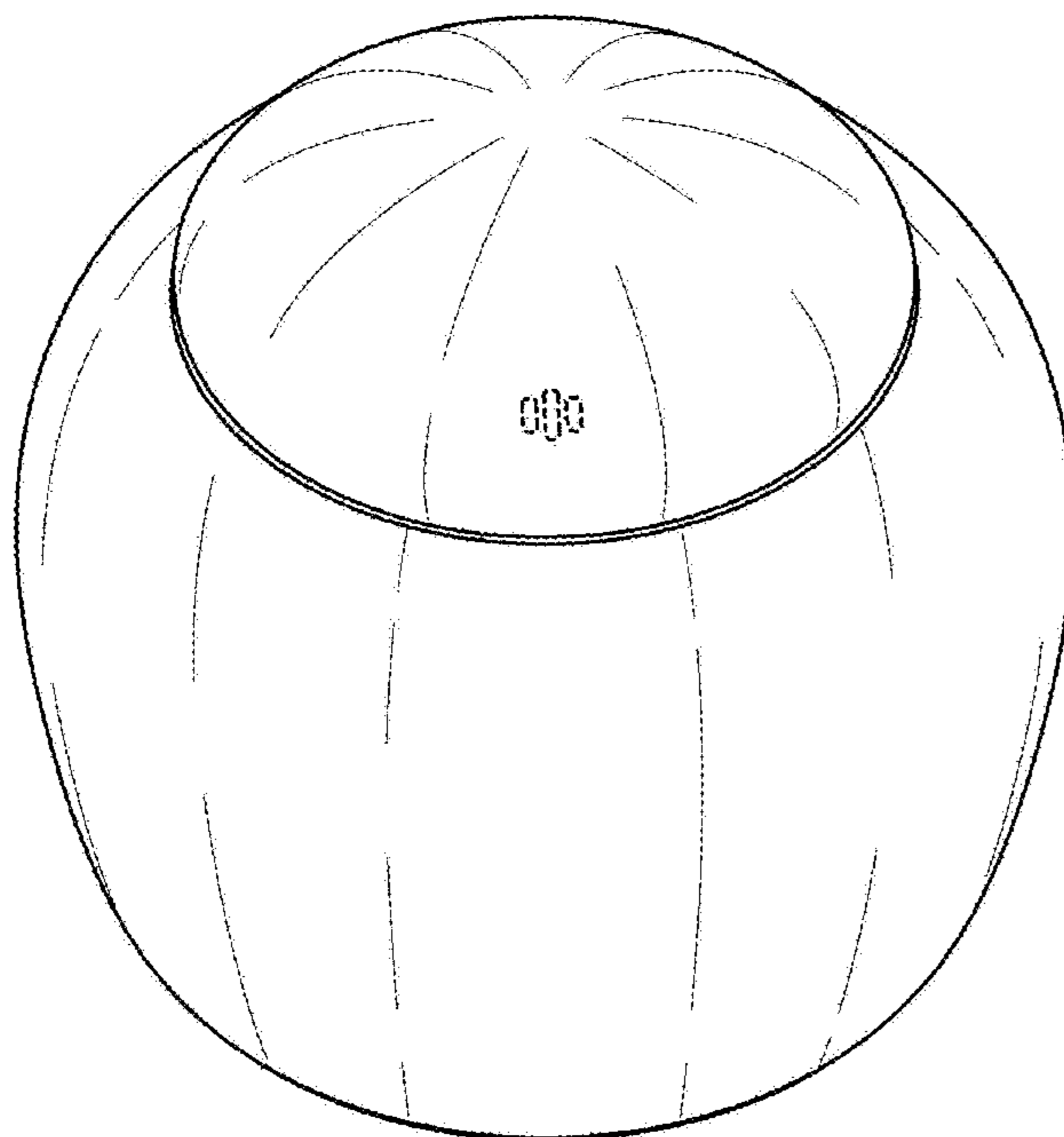
(57) **CLAIM**

The ornamental design for an aroma diffuser, as shown and described.

DESCRIPTION

FIG. 1 is a front elevational view of an aroma diffuser showing my new design;
FIG. 2 is a rear elevational view thereof;
FIG. 3 is a left side view thereof;
FIG. 4 is a right side view thereof;
FIG. 5 is a top plan view thereof;
FIG. 6 is a bottom plan view thereof;
FIG. 7 is a top and front perspective view thereof; and,
FIG. 8 is a bottom and rear perspective view thereof.
The broken lines in the drawings illustrate portions of the aroma diffuser which form no part of the claimed design.

1 Claim, 8 Drawing Sheets



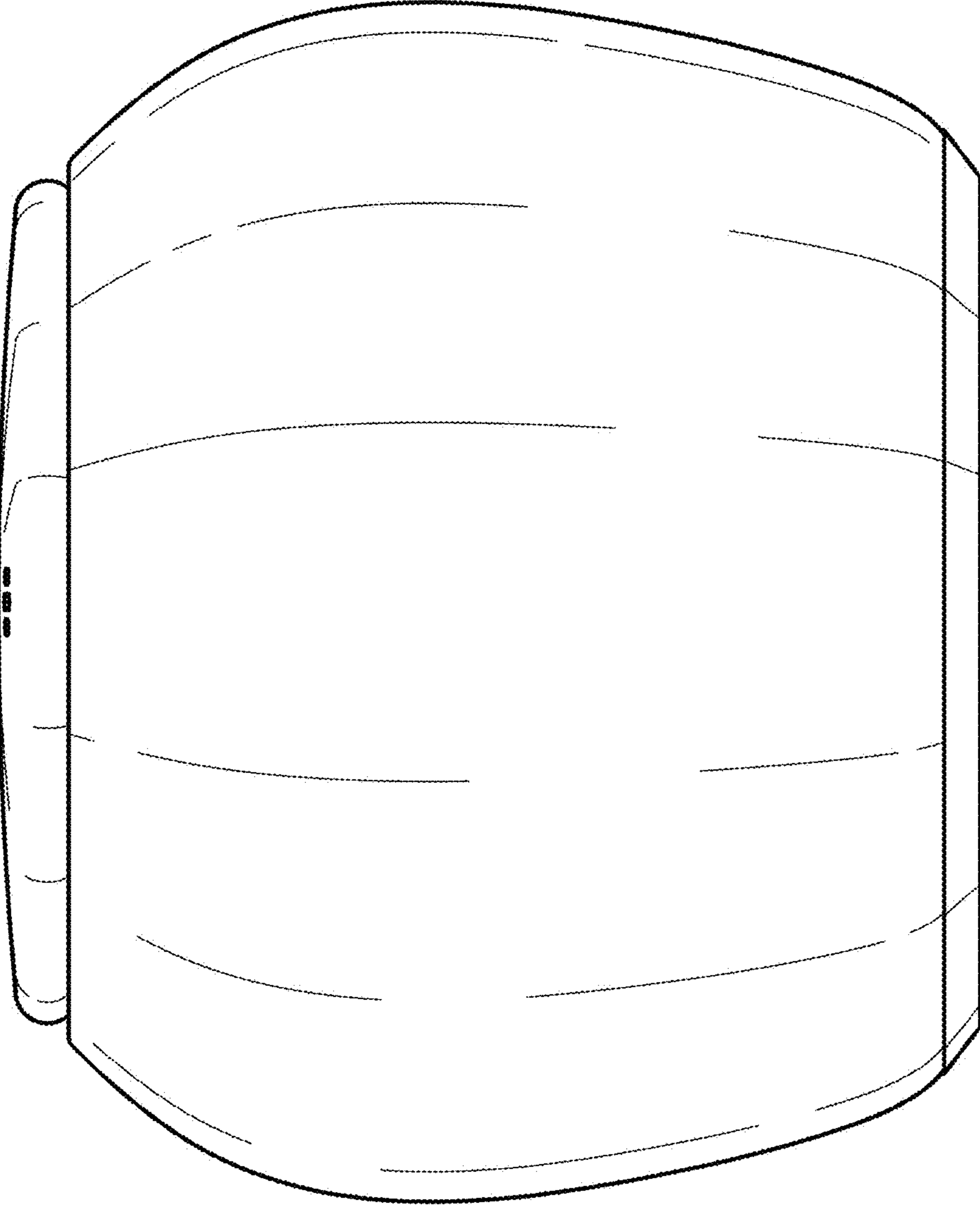


Fig. 1

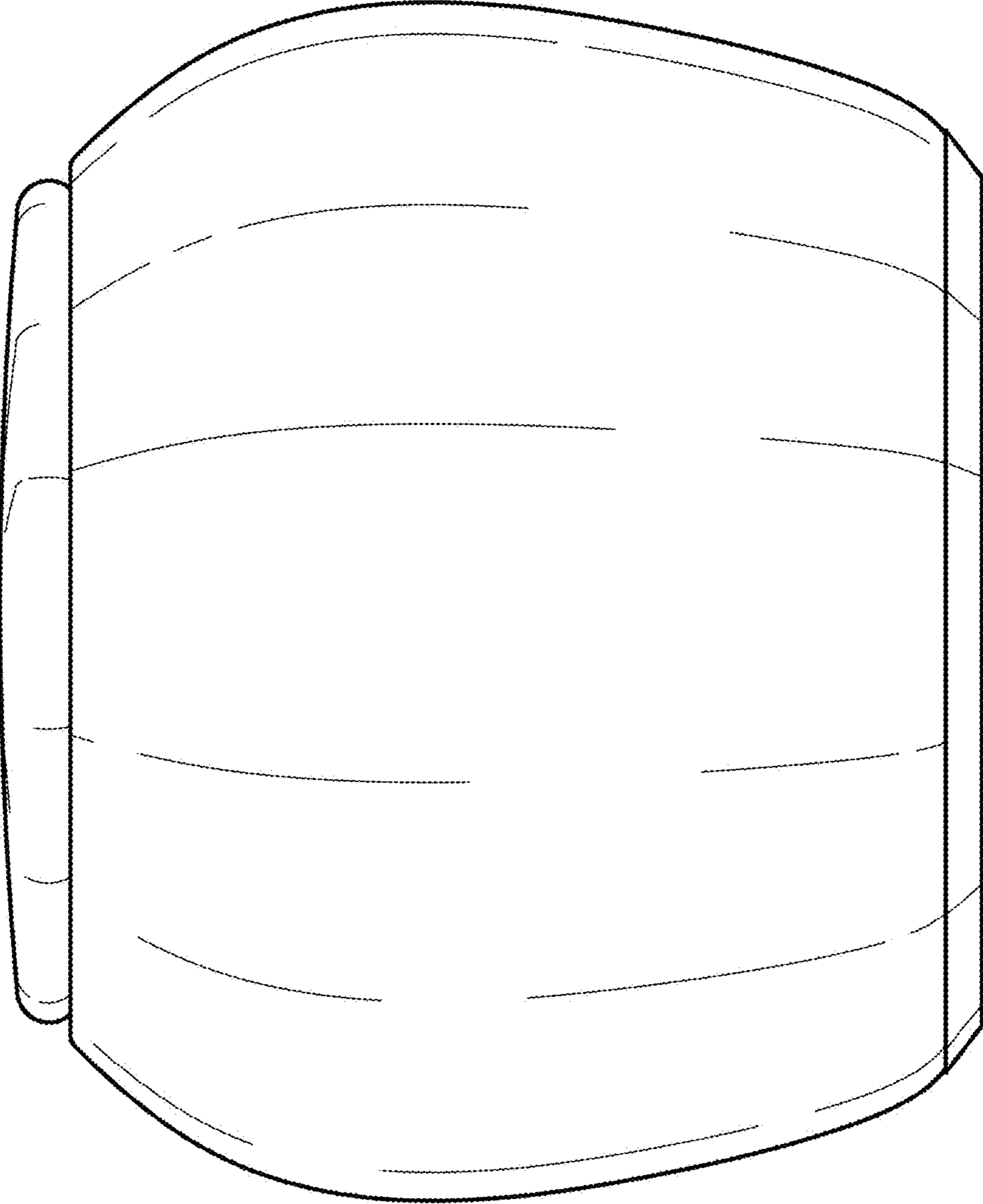


Fig. 2

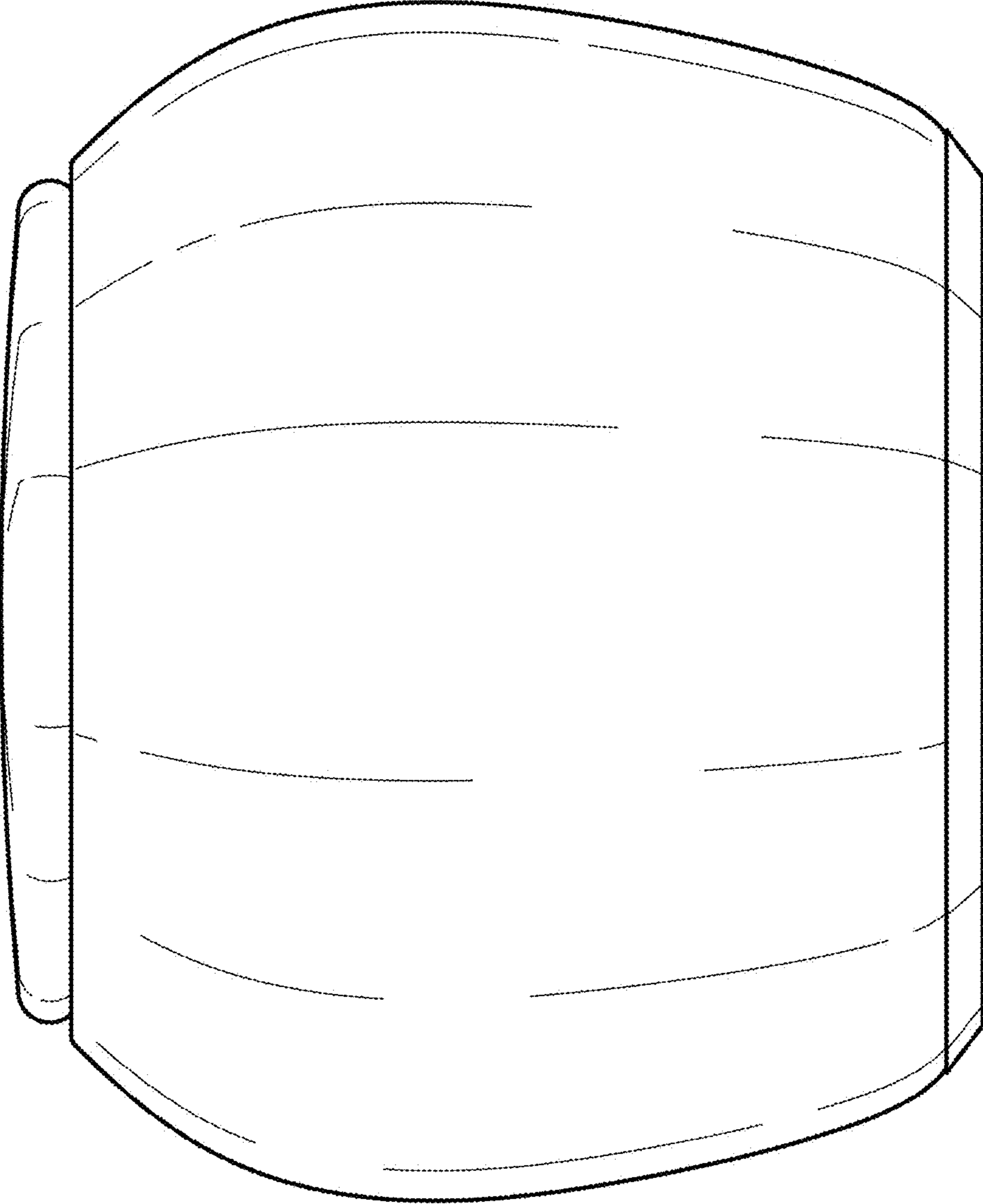


Fig. 3

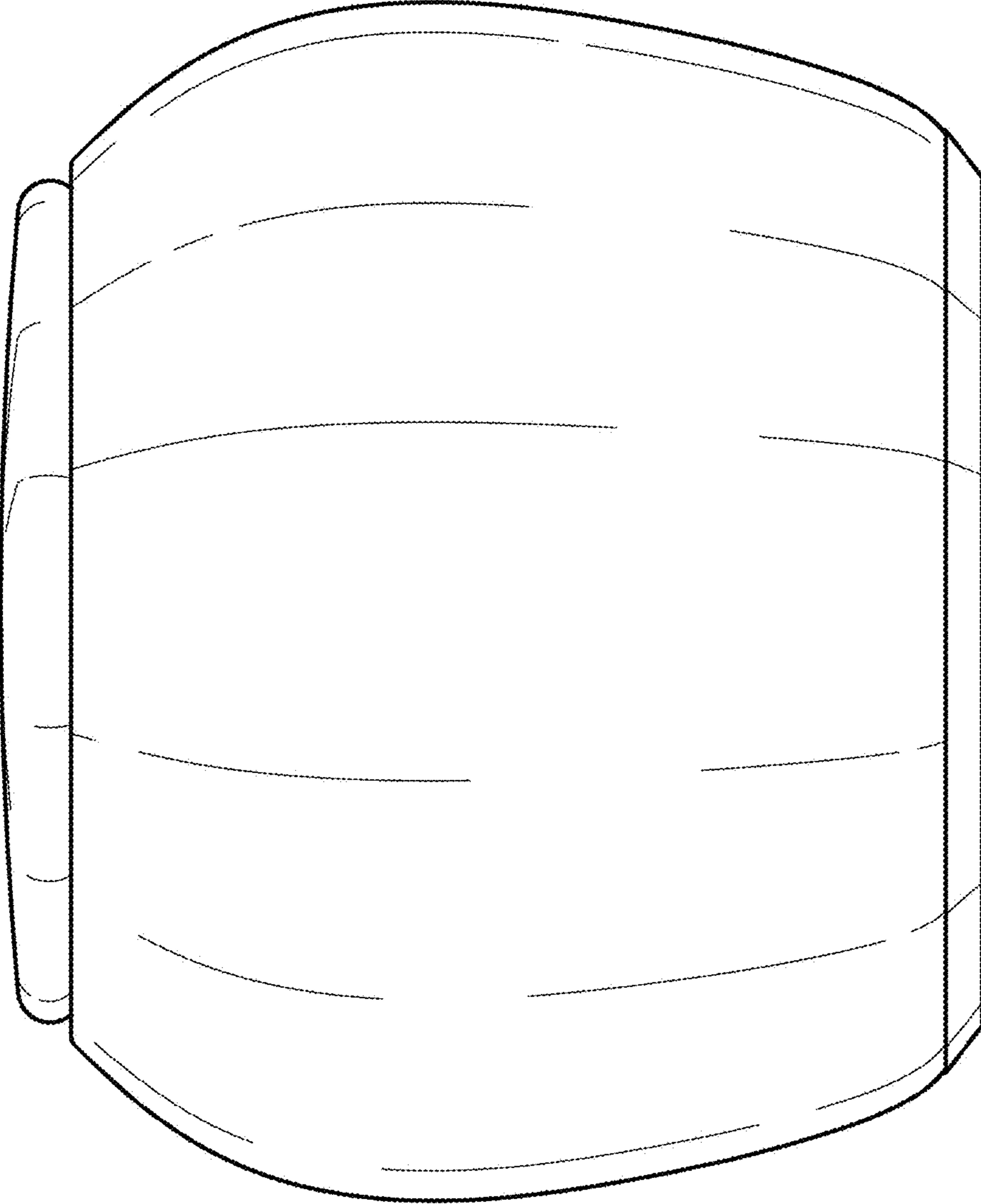


Fig. 4

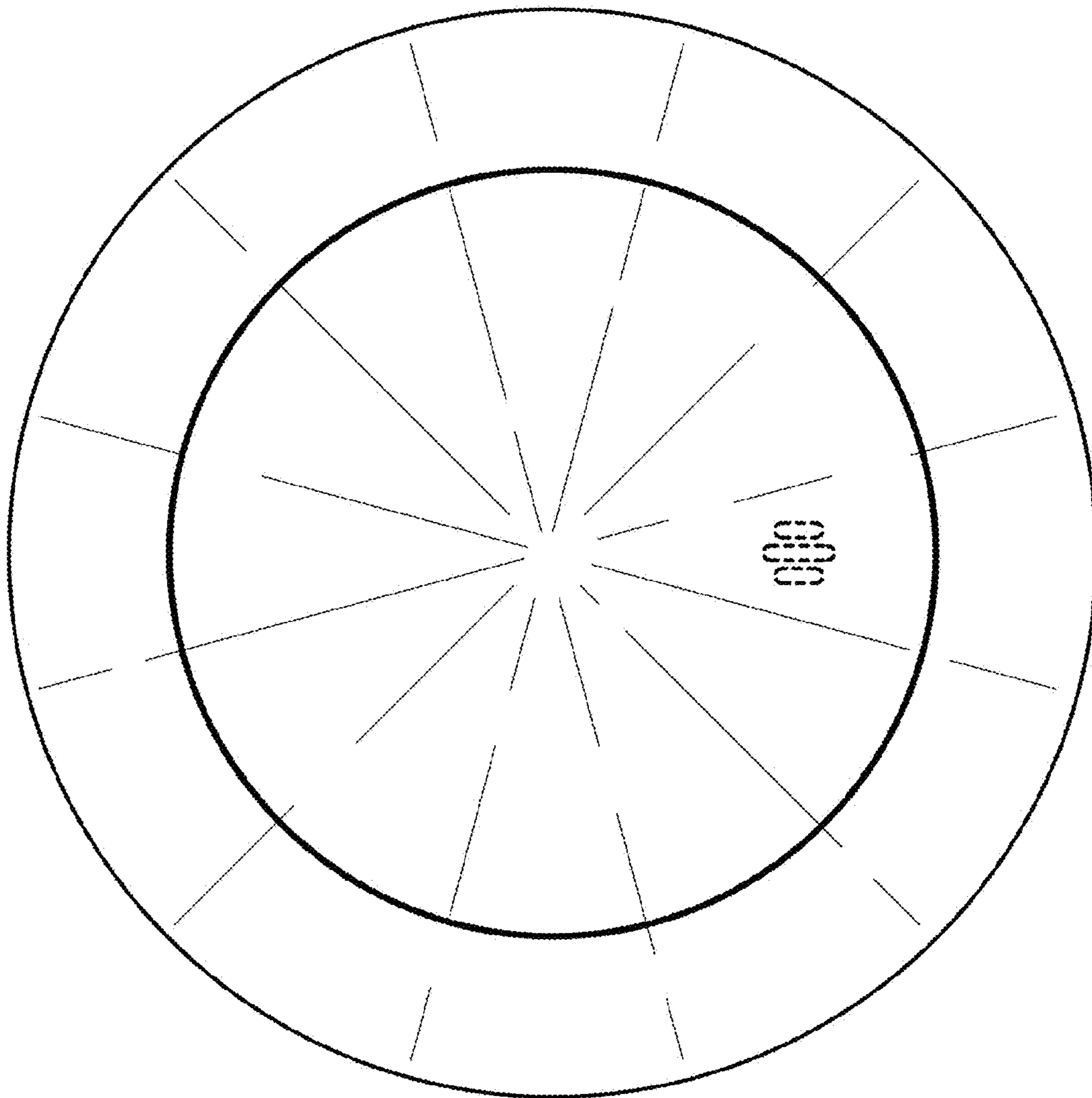


Fig. 5

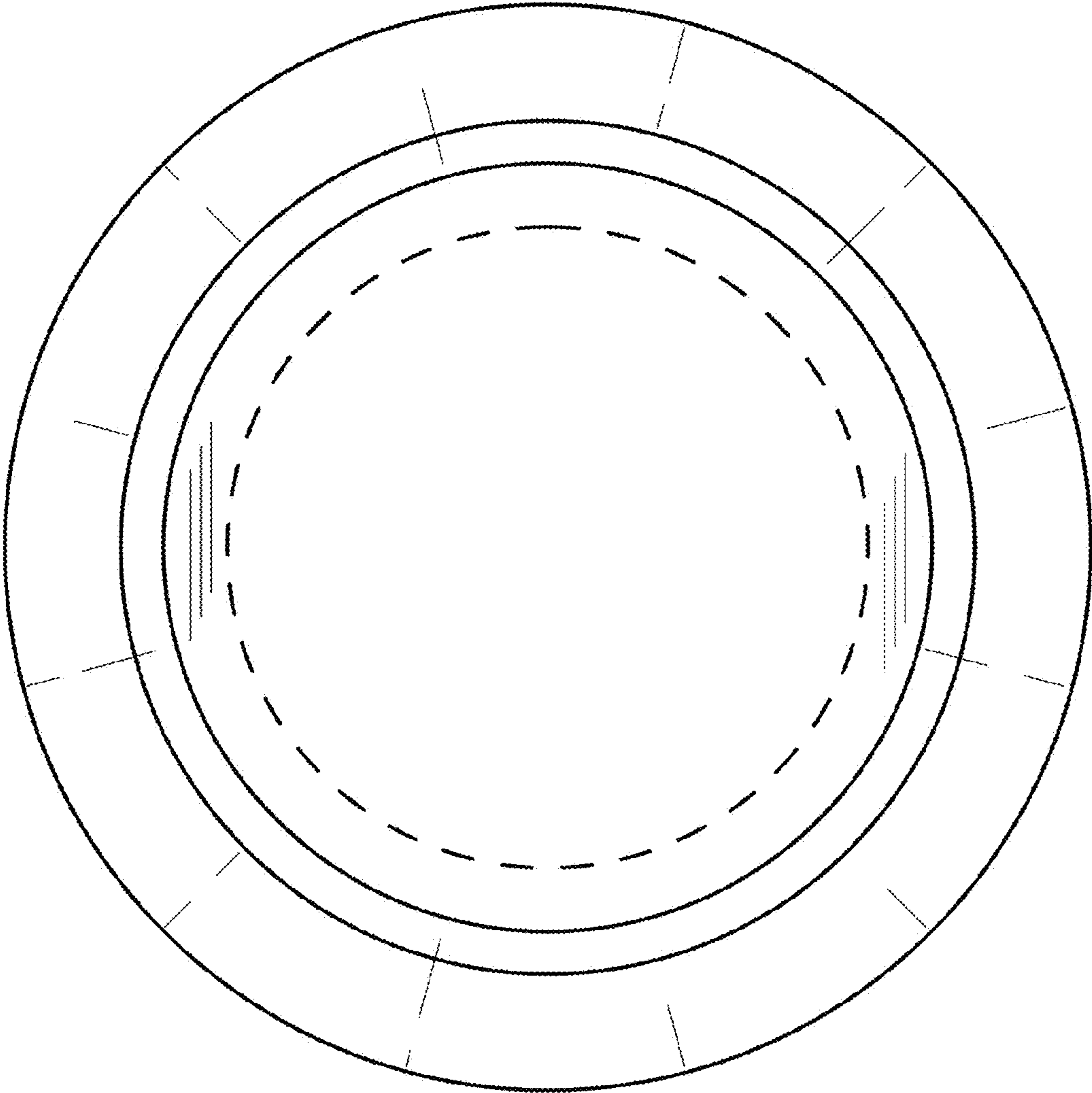


Fig. 6

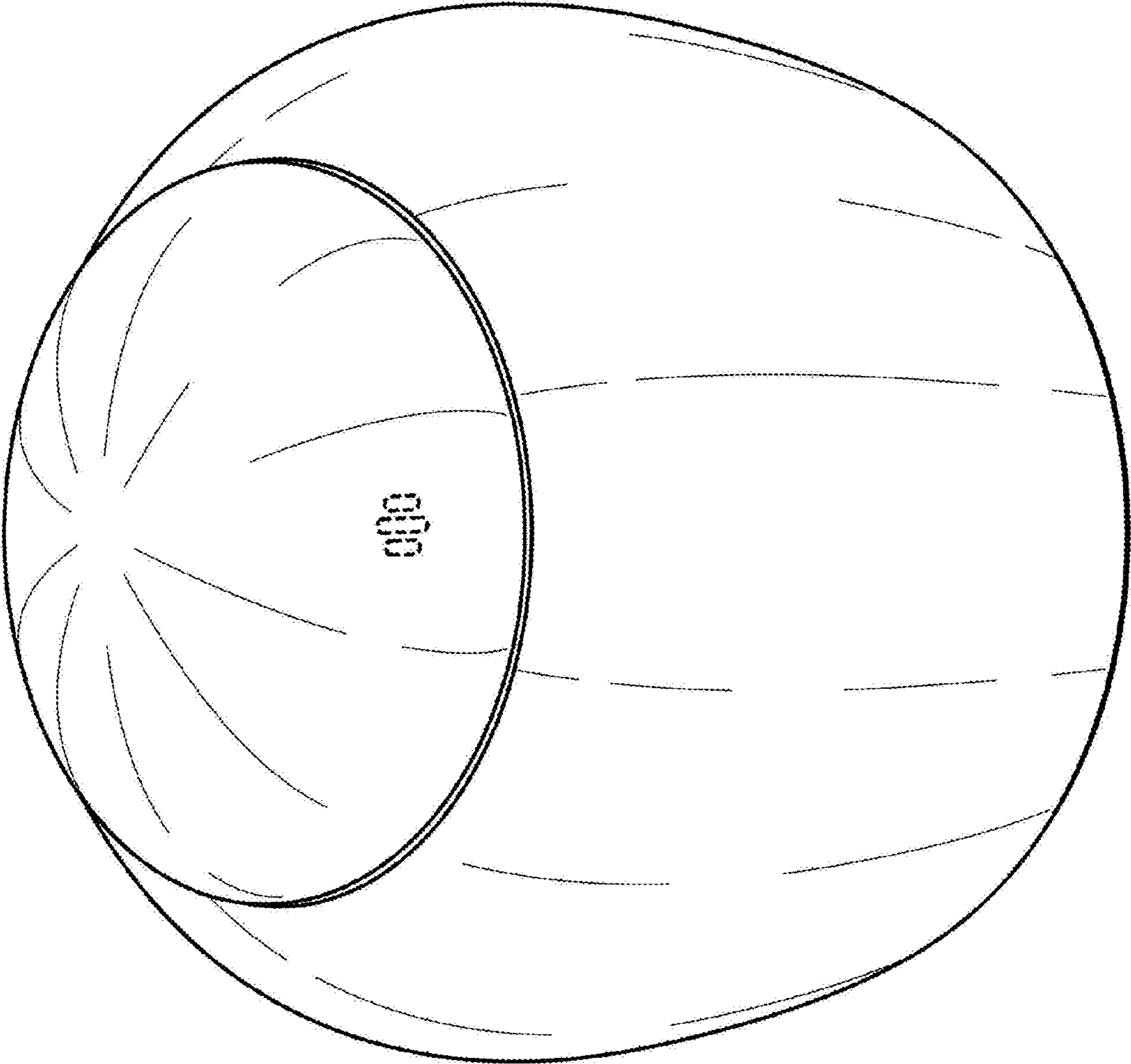


Fig. 7

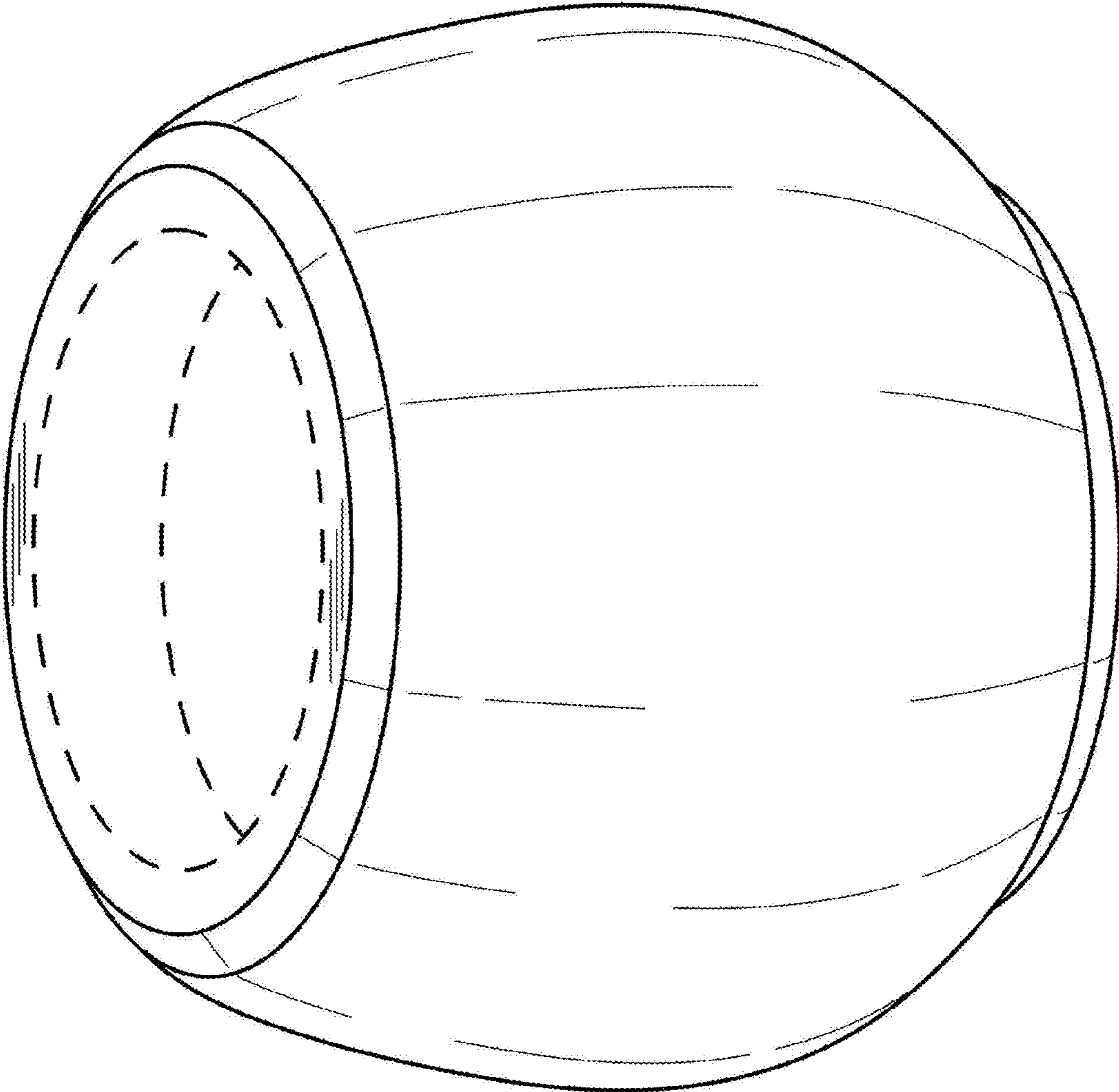


Fig. 8