



US00D919789S

(12) **United States Design Patent**
Lee

(10) **Patent No.:** **US D919,789 S**

(45) **Date of Patent:** **** May 18, 2021**

(54) **AROMA DIFFUSER**

(71) Applicant: **PUZHEN LIFE CO., LTD**, Hong Kong (HK)

(72) Inventor: **Leander Lee**, Hong Kong (HK)

(73) Assignee: **PUZHEN LIFE CO., LTD**, Hong Kong (HK)

(**) Term: **15 Years**

(21) Appl. No.: **29/703,648**

(22) Filed: **Aug. 28, 2019**

(30) **Foreign Application Priority Data**

May 30, 2019 (HK) 1913782.3M002

(51) **LOC (13) Cl.** **28-99**

(52) **U.S. Cl.**
USPC **D23/366**

(58) **Field of Classification Search**

USPC D23/209, 355, 356, 358, 359, 360, 364,
D23/365, 366, 367; D7/300, 312, 317;
D9/504, 519, 529, 686; D11/131.1;
D28/89; D99/5

CPC . A61L 9/03; A61L 9/012; A61L 9/015; A61L
9/037; F41J 1/01

See application file for complete search history.

(56) **References Cited**

U.S. PATENT DOCUMENTS

D704,319 S * 5/2014 Cai D23/333
D822,819 S * 7/2018 Li D23/366

D828,527 S * 9/2018 Xu D23/356
D850,181 S * 6/2019 Eisen D7/313
D852,318 S * 6/2019 Lin D23/207
D865,709 S * 11/2019 Gentle D14/209
D880,670 S * 4/2020 Mecker D23/366
D883,794 S * 5/2020 Wiesenthal D9/529
D884,476 S * 5/2020 Son D9/503

* cited by examiner

Primary Examiner — John A Voytek

(57) **CLAIM**

The ornamental design for an aroma diffuser, as shown and described.

DESCRIPTION

FIG. 1 is a front elevational view of an aroma diffuser showing my new design;

FIG. 2 is a rear elevational view thereof;

FIG. 3 is a left side view thereof;

FIG. 4 is a right side view thereof;

FIG. 5 is a top plan view thereof;

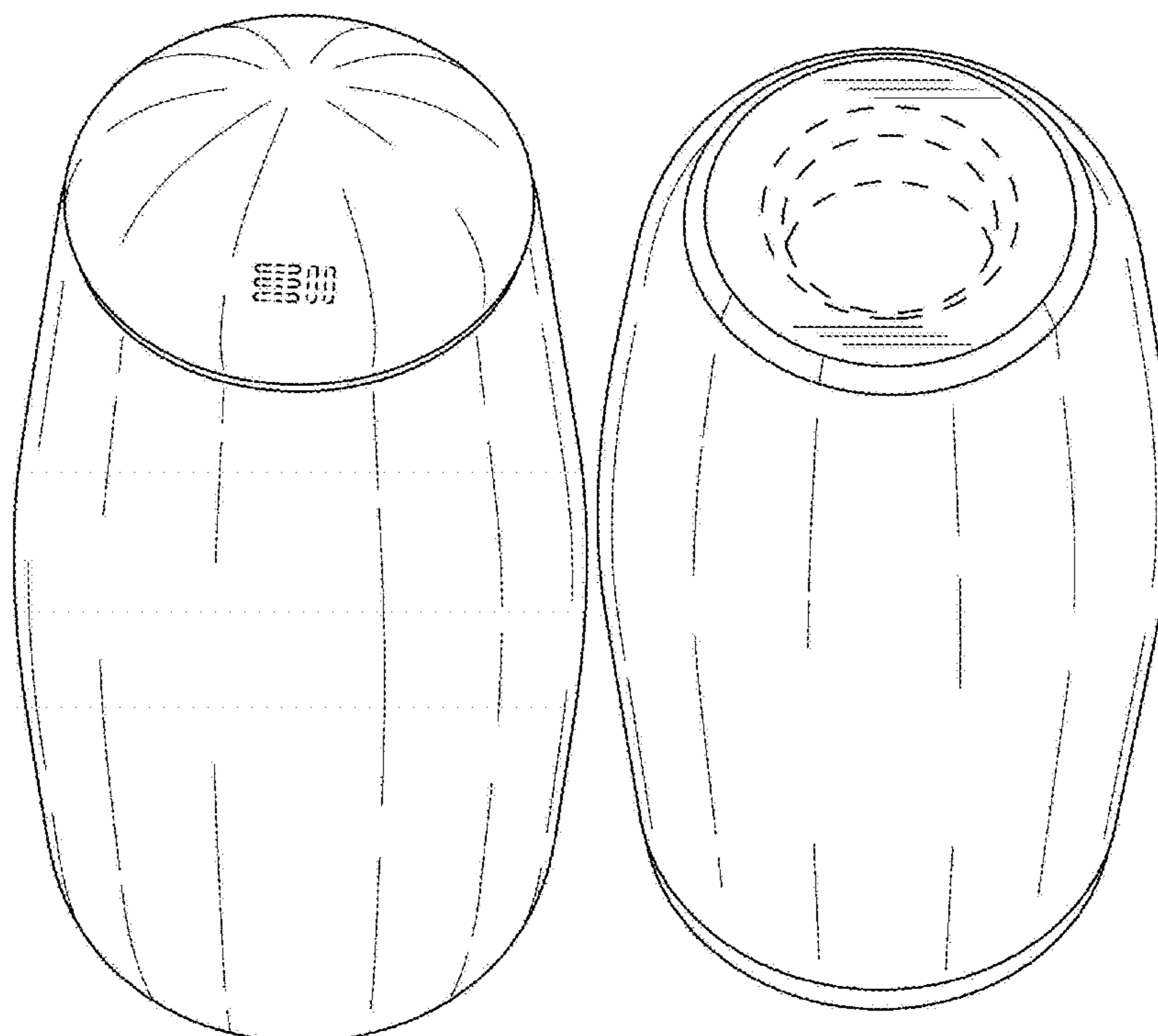
FIG. 6 is a bottom plan view thereof;

FIG. 7 is a top and front perspective view thereof; and,

FIG. 8 is a bottom and rear perspective view thereof.

The broken lines in the drawings illustrate portions of the aroma diffuser which form no part of the claimed design.

1 Claim, 8 Drawing Sheets



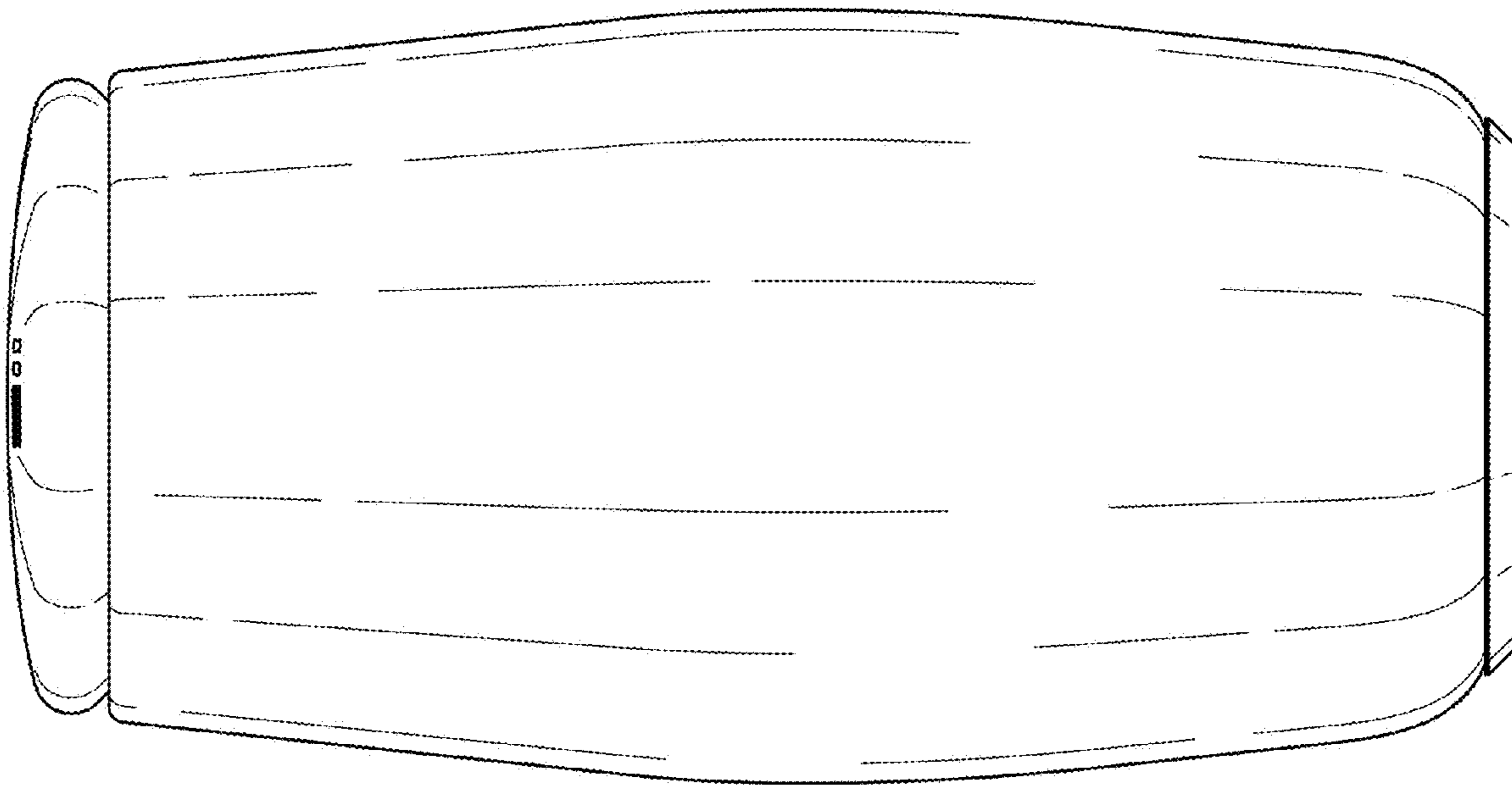


Fig. 1

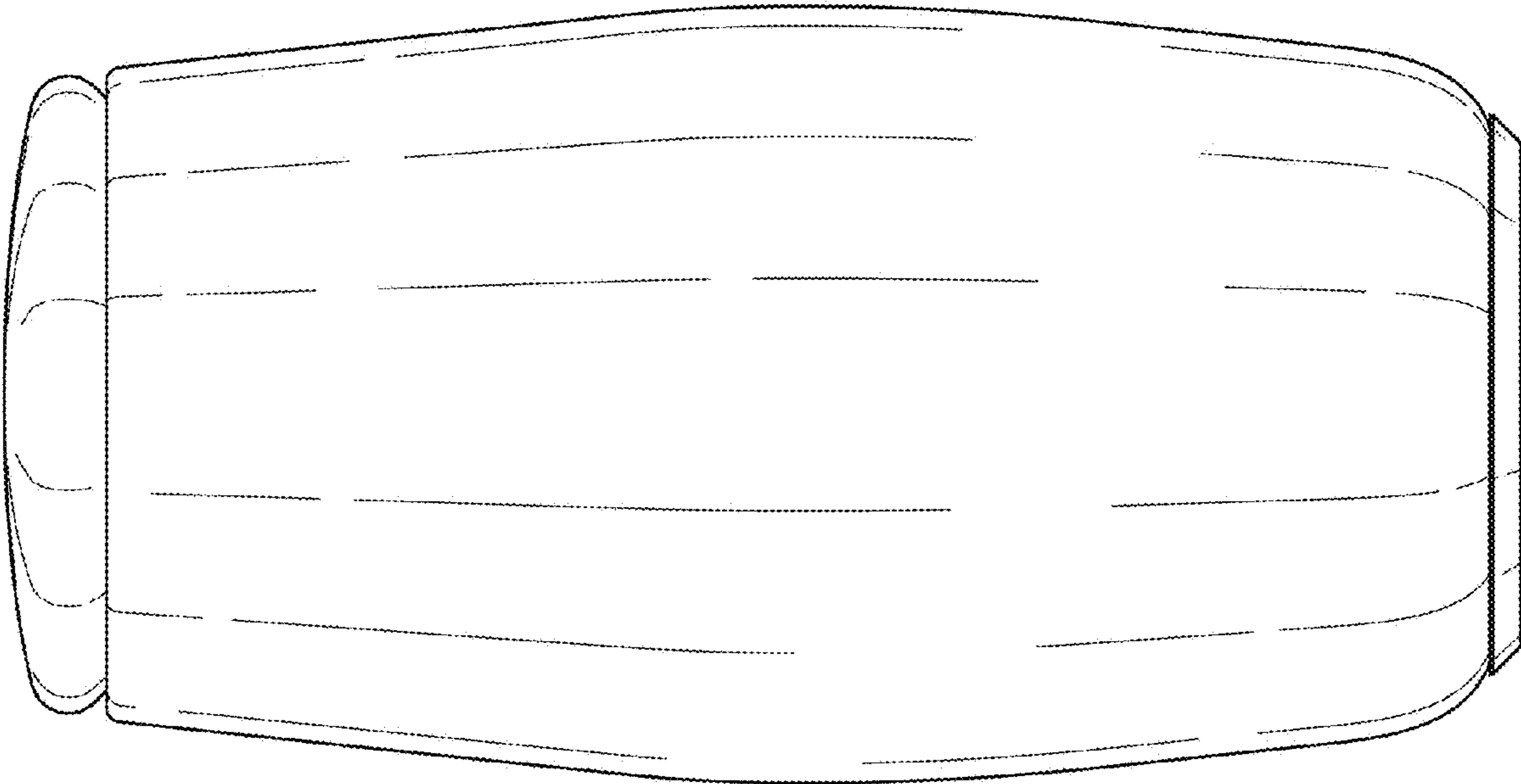


Fig. 2

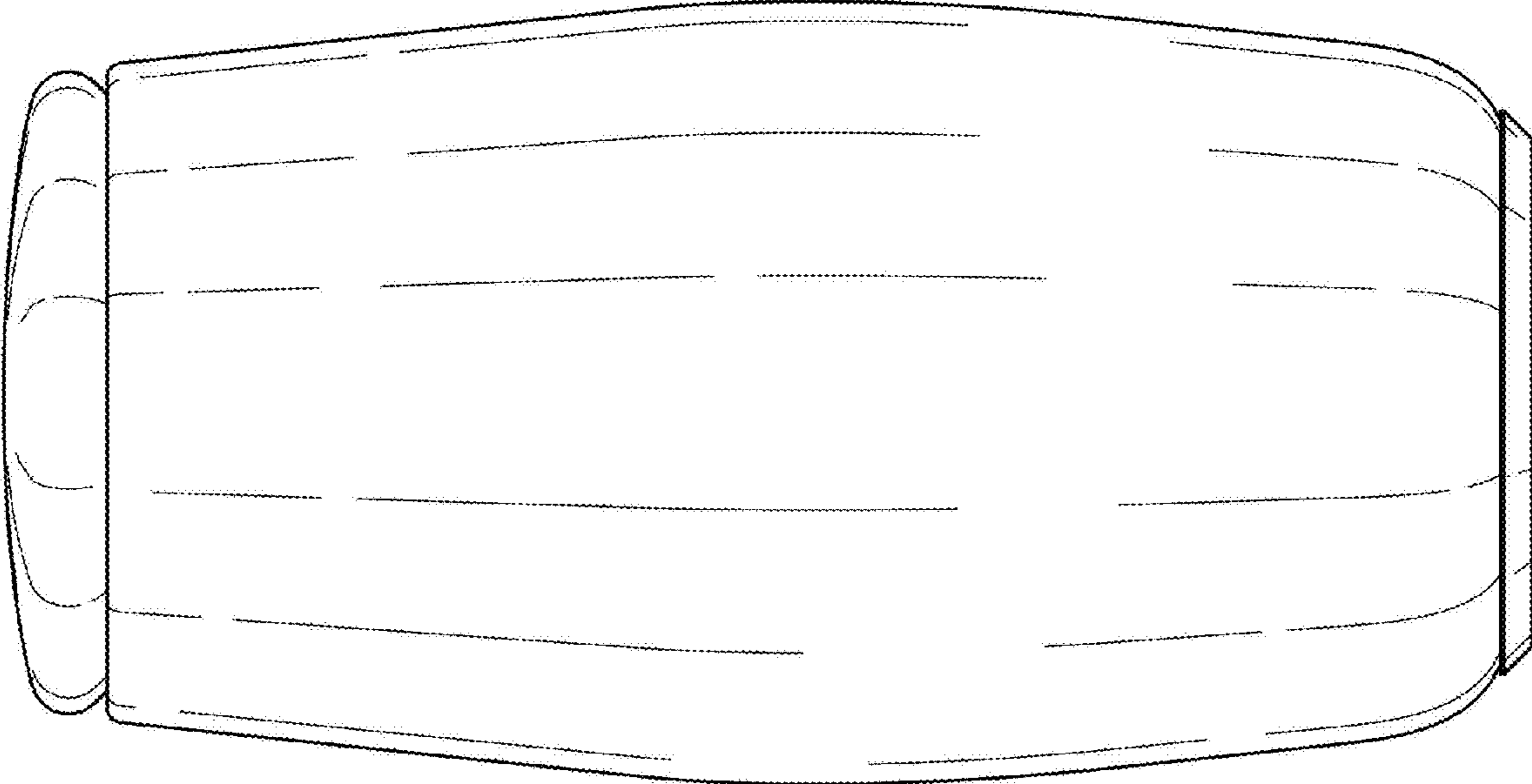


Fig. 3

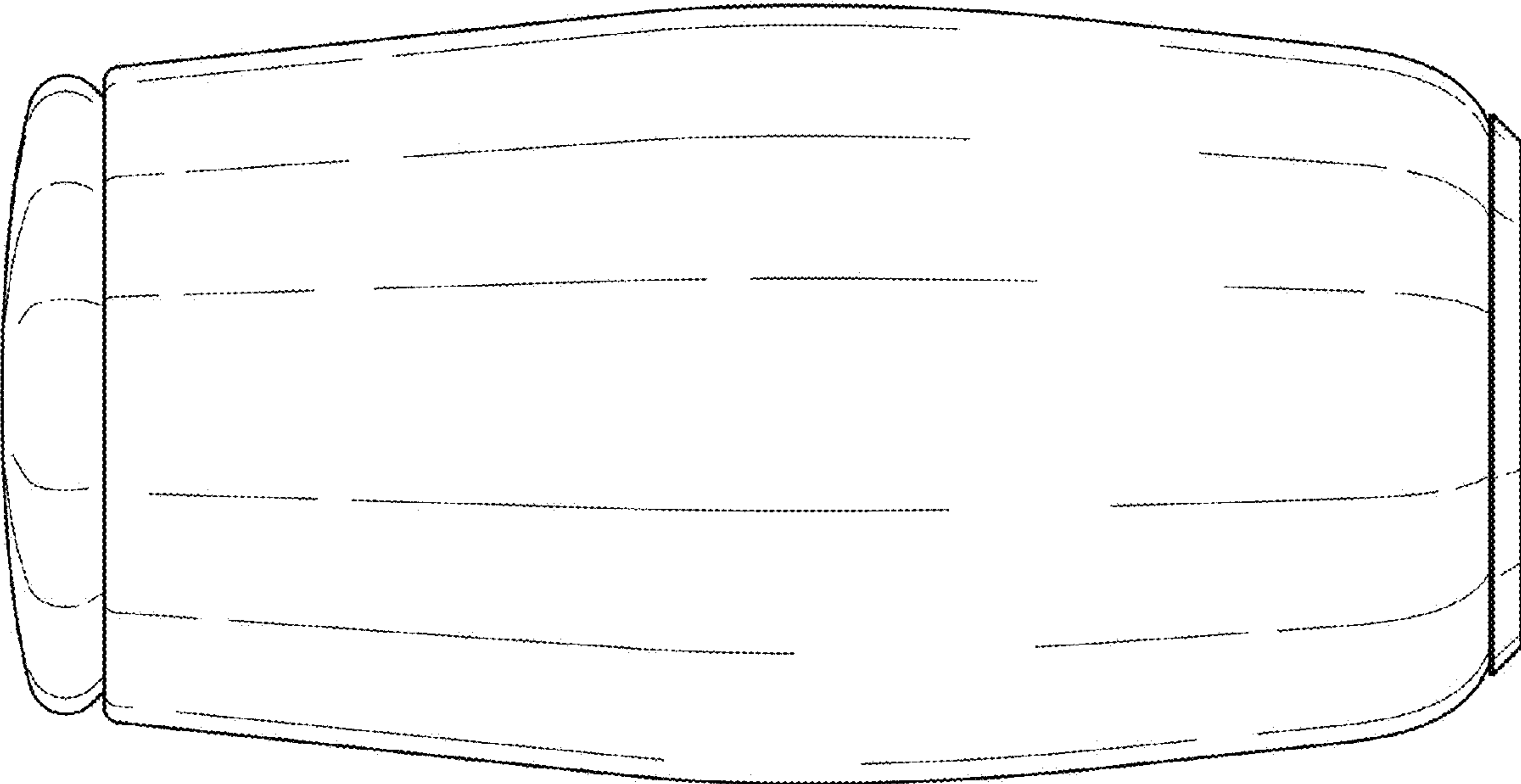


Fig. 4

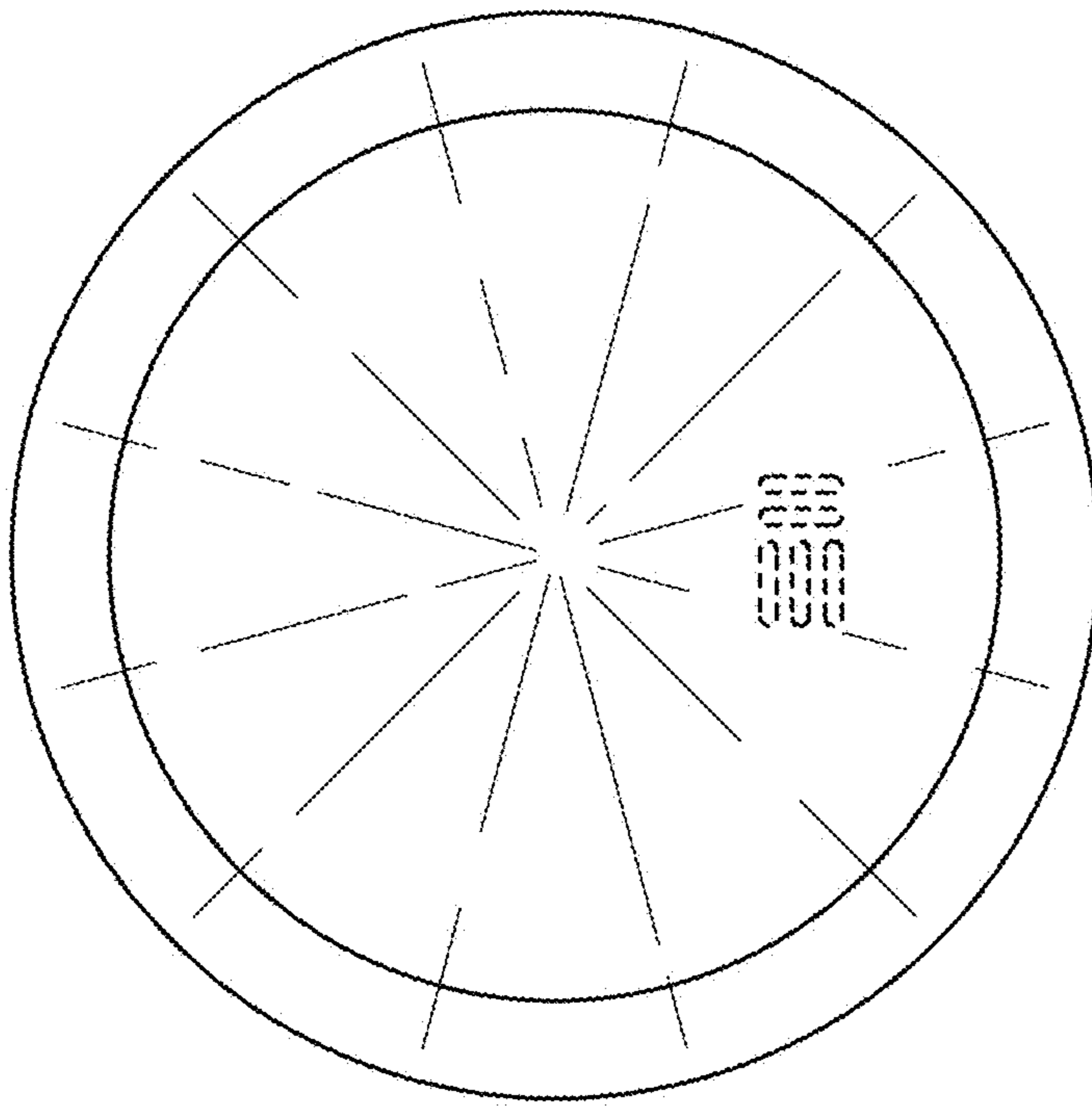


Fig. 5

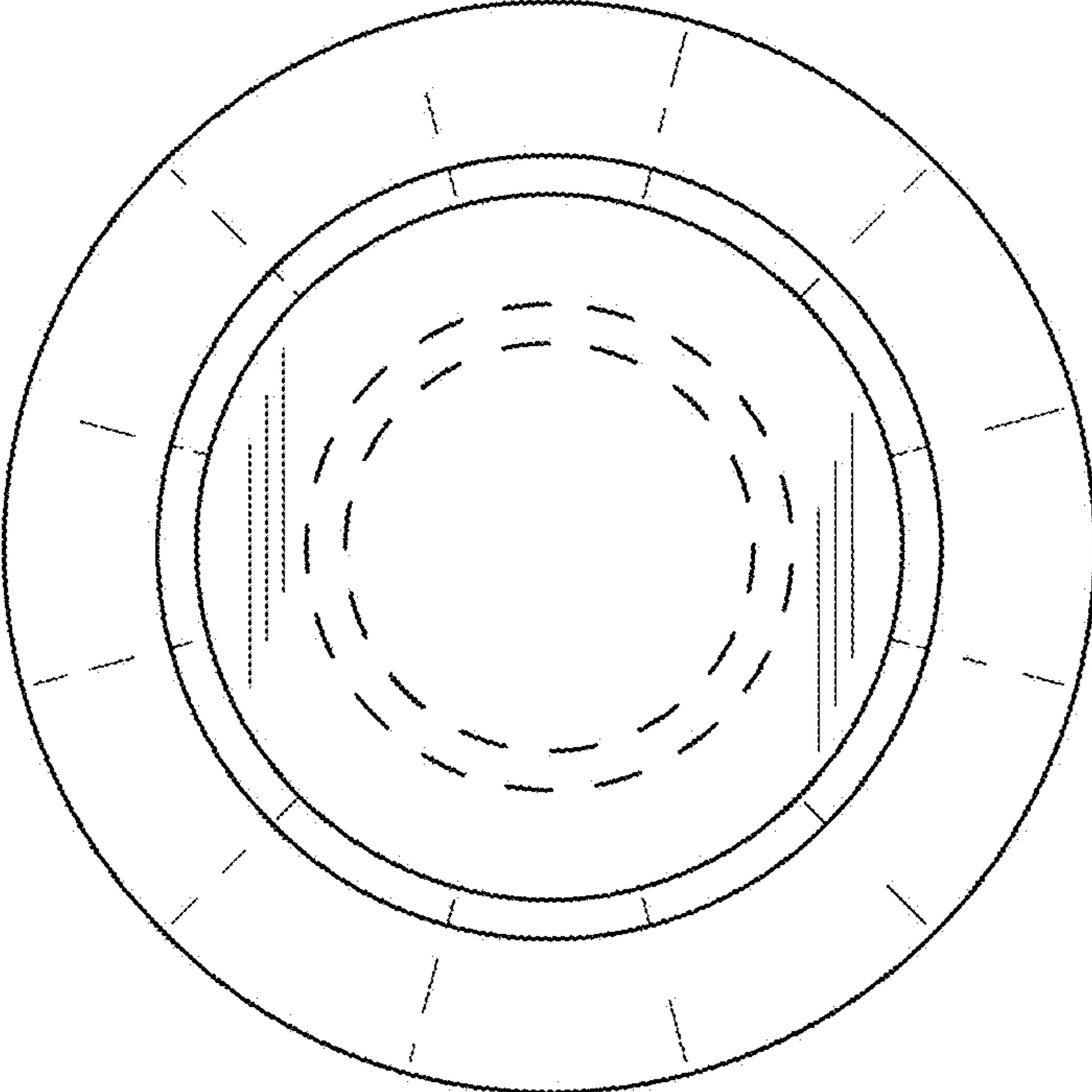


Fig. 6

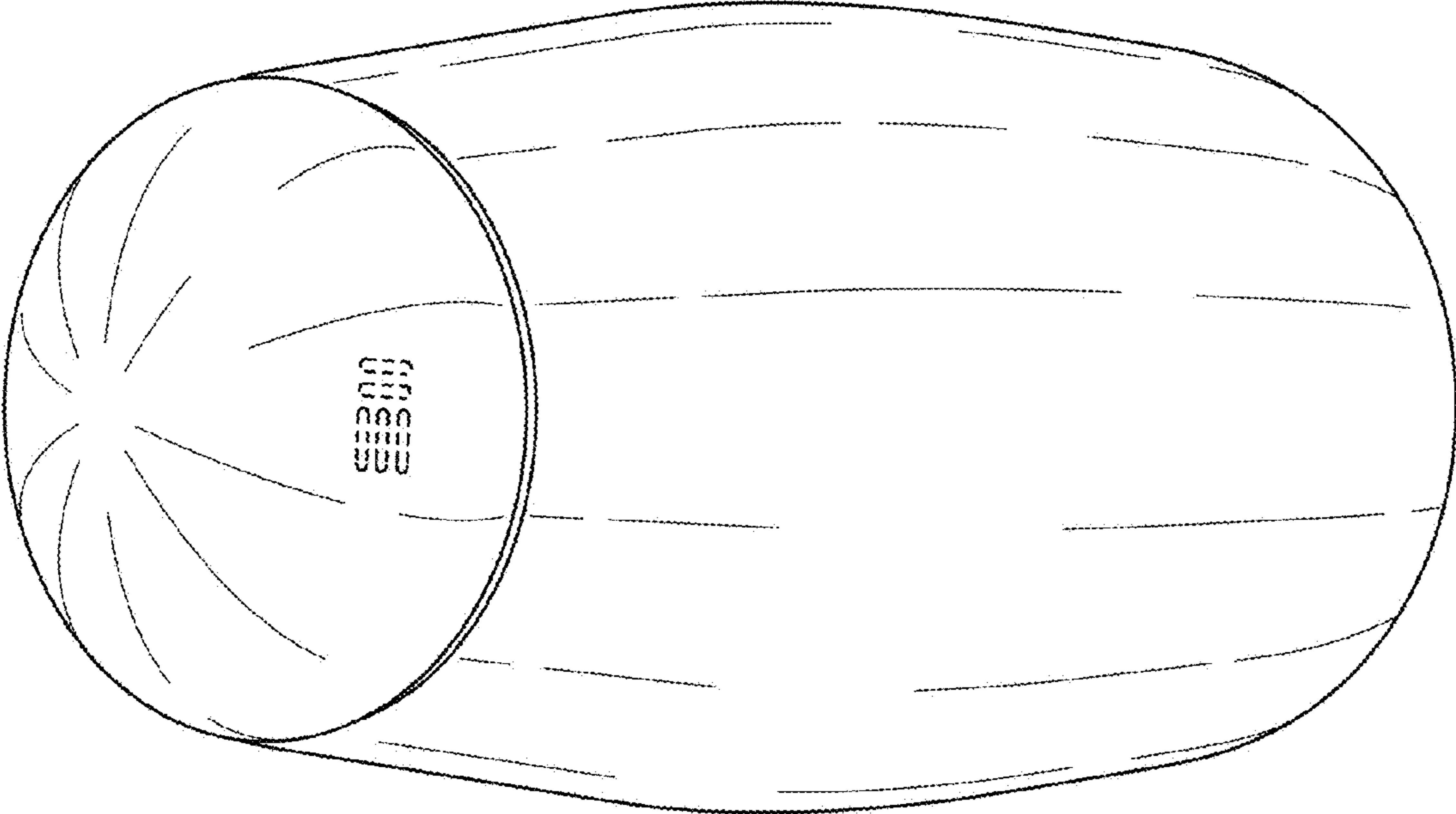


Fig. 7

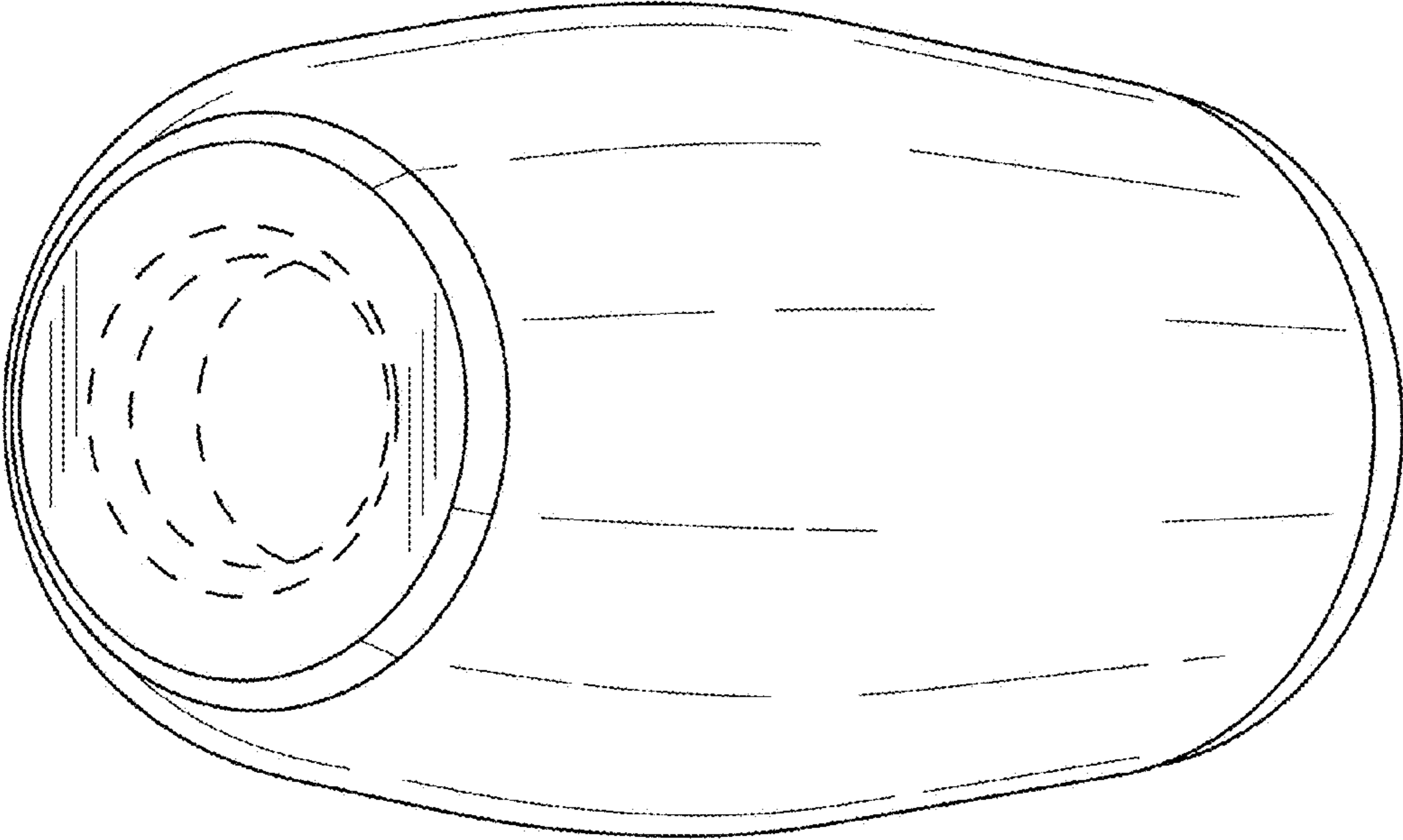


Fig. 8