



US00D919780S

(12) **United States Design Patent**
Li

(10) **Patent No.:** **US D919,780 S**

(45) **Date of Patent:** **** May 18, 2021**

(54) **DEHUMIDIFIER**

(71) Applicant: **Wanting Li**, Dongguan (CN)

(72) Inventor: **Wanting Li**, Dongguan (CN)

(**) Term: **15 Years**

(21) Appl. No.: **29/764,954**

(22) Filed: **Jan. 5, 2021**

(51) **LOC (13) Cl.** **23-04**

(52) **U.S. Cl.**
USPC **D23/359**

(58) **Field of Classification Search**
USPC D23/333, 335, 342, 351, 355-357, 359,
D23/360, 364, 366; 422/120;
261/DIG. 17, DIG. 31, DIG. 42, DIG. 43,
261/DIG. 65, DIG. 88

CPC B01D 2221/02
See application file for complete search history.

(56) **References Cited**

U.S. PATENT DOCUMENTS

D440,292 S	*	4/2001	Kip	D23/364
D556,309 S	*	11/2007	Chiu	D23/333
D590,488 S	*	4/2009	Chiu	D23/333
D606,184 S	*	12/2009	Chiu	D23/359
D621,019 S	*	8/2010	Kim	D23/356
D673,665 S	*	1/2013	Langford	D23/359
D729,365 S	*	5/2015	Yuan	D23/359
D729,919 S		5/2015	Yeom		
D746,426 S		12/2015	Zhao et al.		
D754,831 S	*	4/2016	Yin	D23/359
D766,414 S	*	9/2016	Chu	D23/359

D773,027 S	*	11/2016	Hu	D23/365
D788,279 S		5/2017	Lee et al.		
D803,368 S	*	11/2017	Priester	D23/364
D830,528 S	*	10/2018	Zhou	D23/364
D844,766 S	*	4/2019	Miao	D23/364

FOREIGN PATENT DOCUMENTS

EM 008353502-0001 * 12/2020

* cited by examiner

Primary Examiner — Amy C Wierenga

(57) **CLAIM**

The ornamental design for a dehumidifier, as shown and described.

DESCRIPTION

FIG. 1 is a first perspective view of a dehumidifier showing my new design;

FIG. 2 is a second perspective view thereof;

FIG. 3 is a front view thereof;

FIG. 4 is a back view thereof;

FIG. 5 is a left side view thereof;

FIG. 6 is a right side view thereof;

FIG. 7 is a top view thereof;

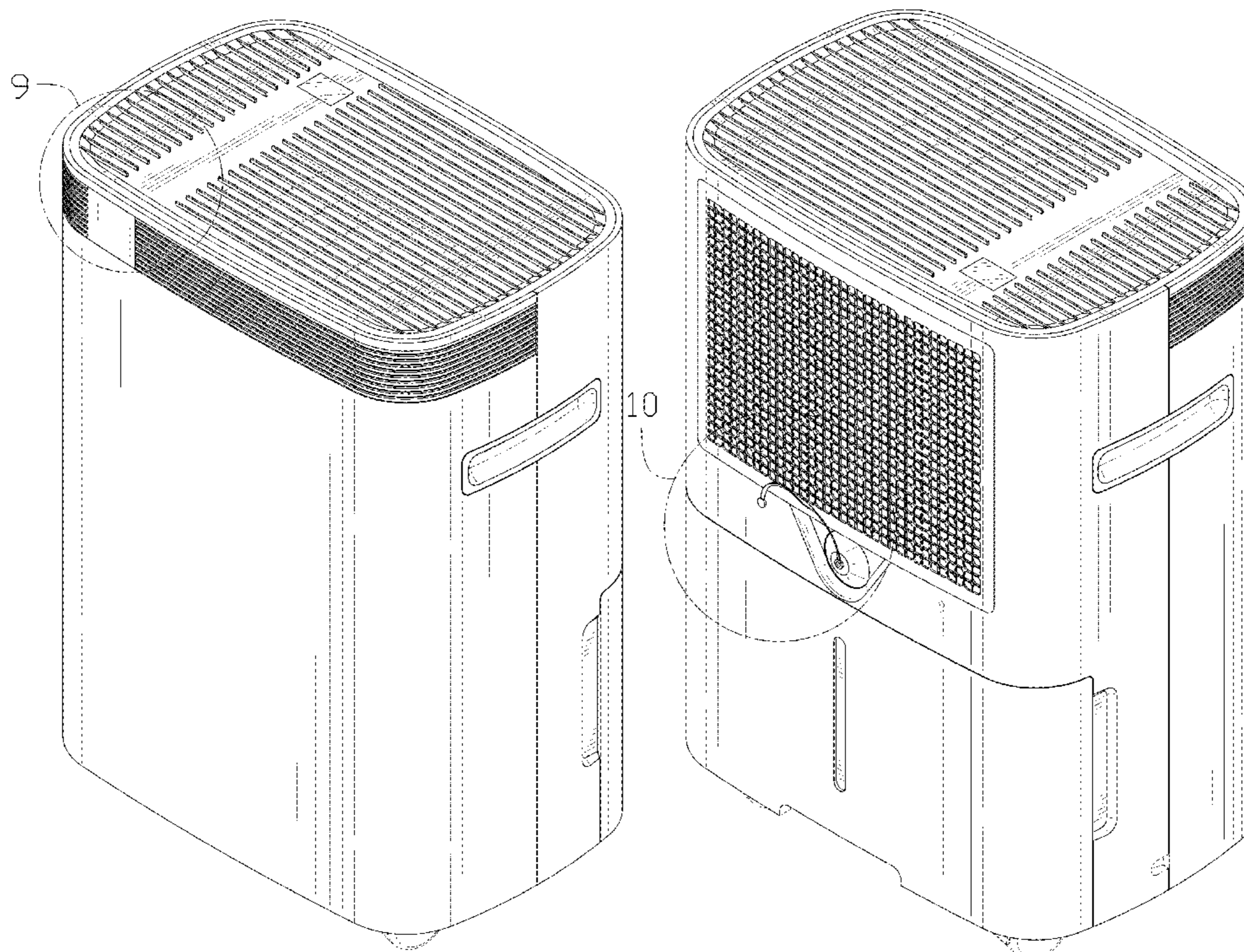
FIG. 8 is a bottom view thereof;

FIG. 9 is an enlarged view of the selected portion in FIG. 1; and,

FIG. 10 is an enlarged view of the selected portion in FIG. 2.

The broken lines shown in the drawings depict portions of the dehumidifier in which the design is embodied that form no part of the claimed design.

1 Claim, 10 Drawing Sheets



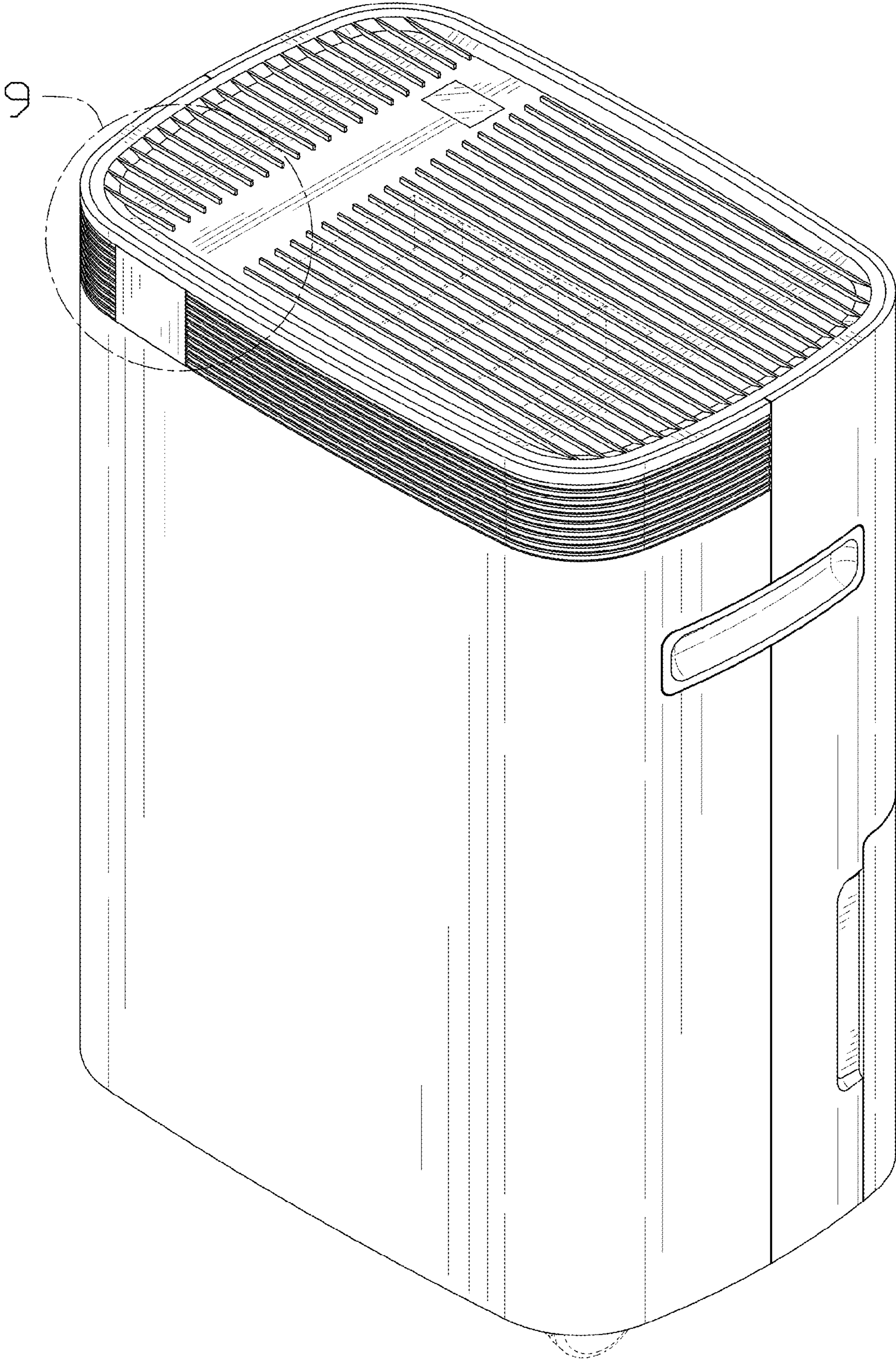


FIG. 1

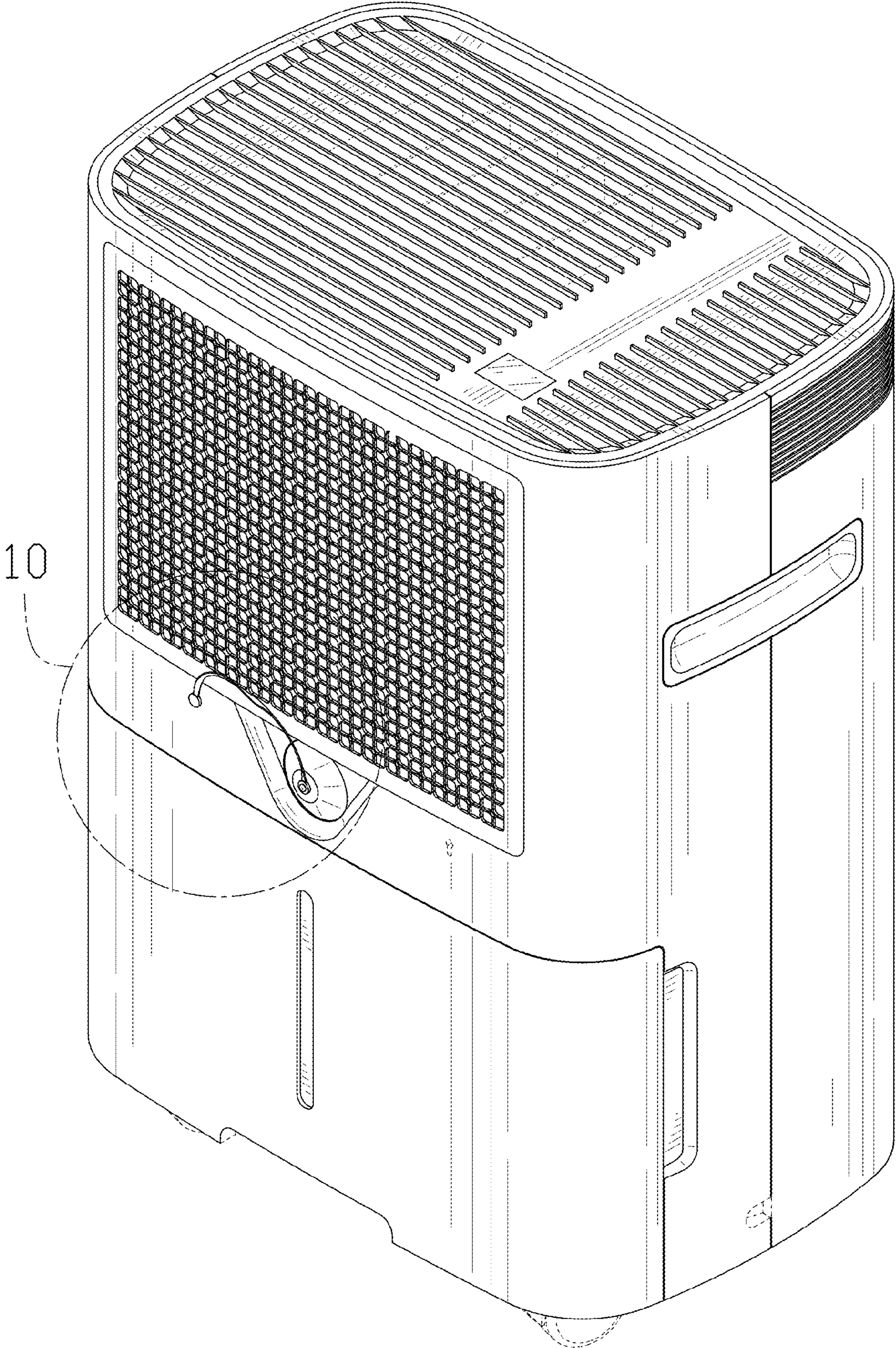


FIG. 2

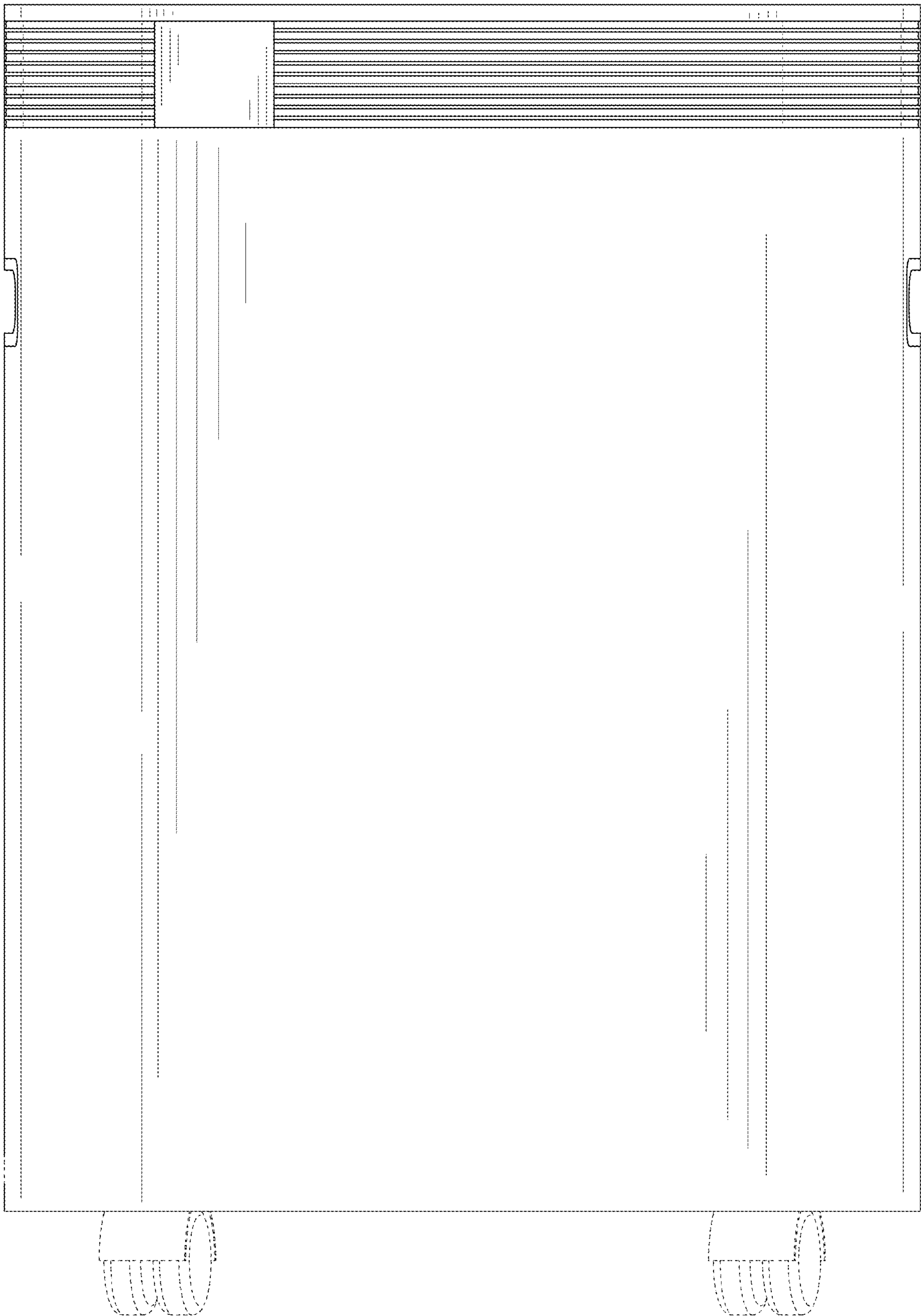


FIG. 3

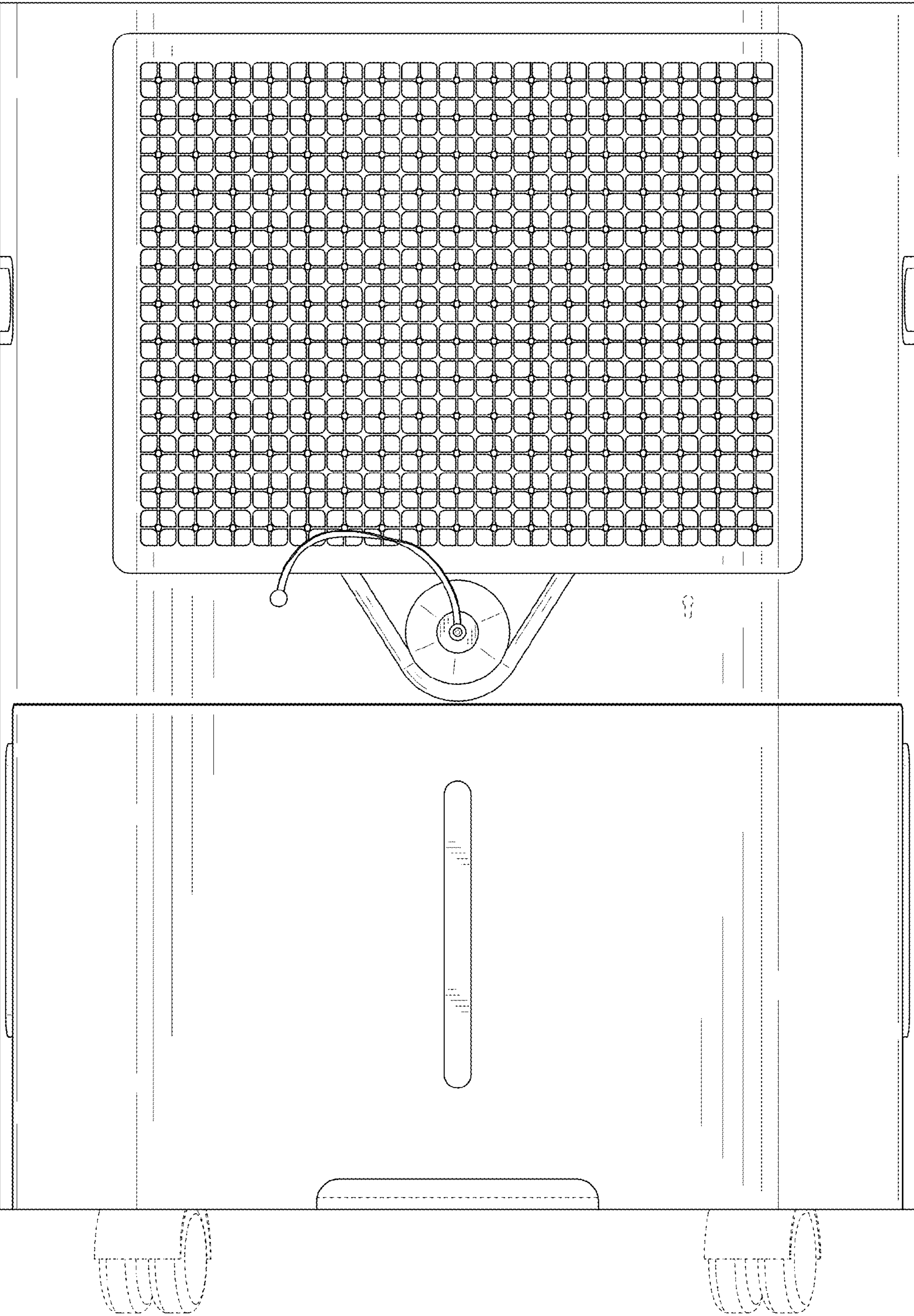


FIG. 4

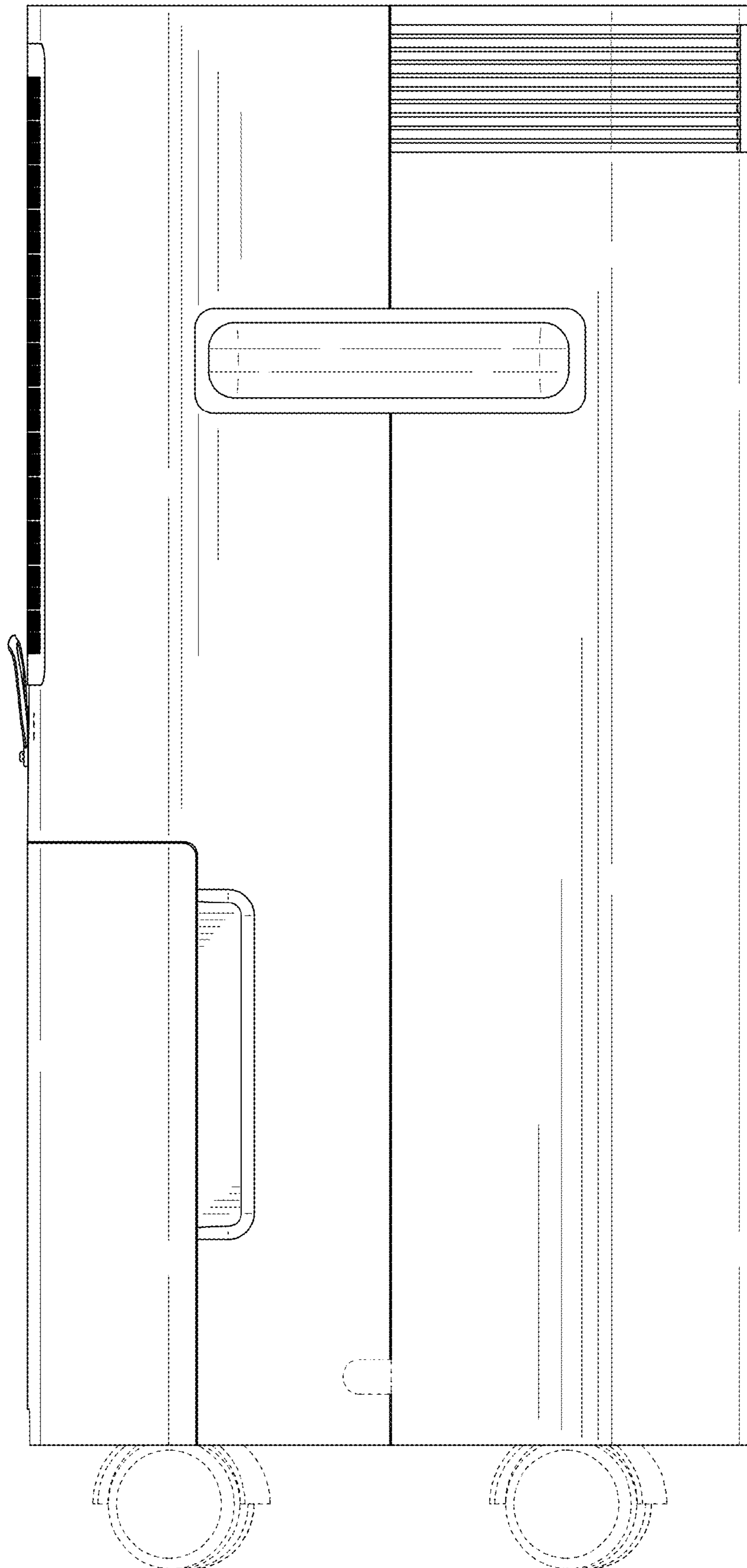


FIG. 5

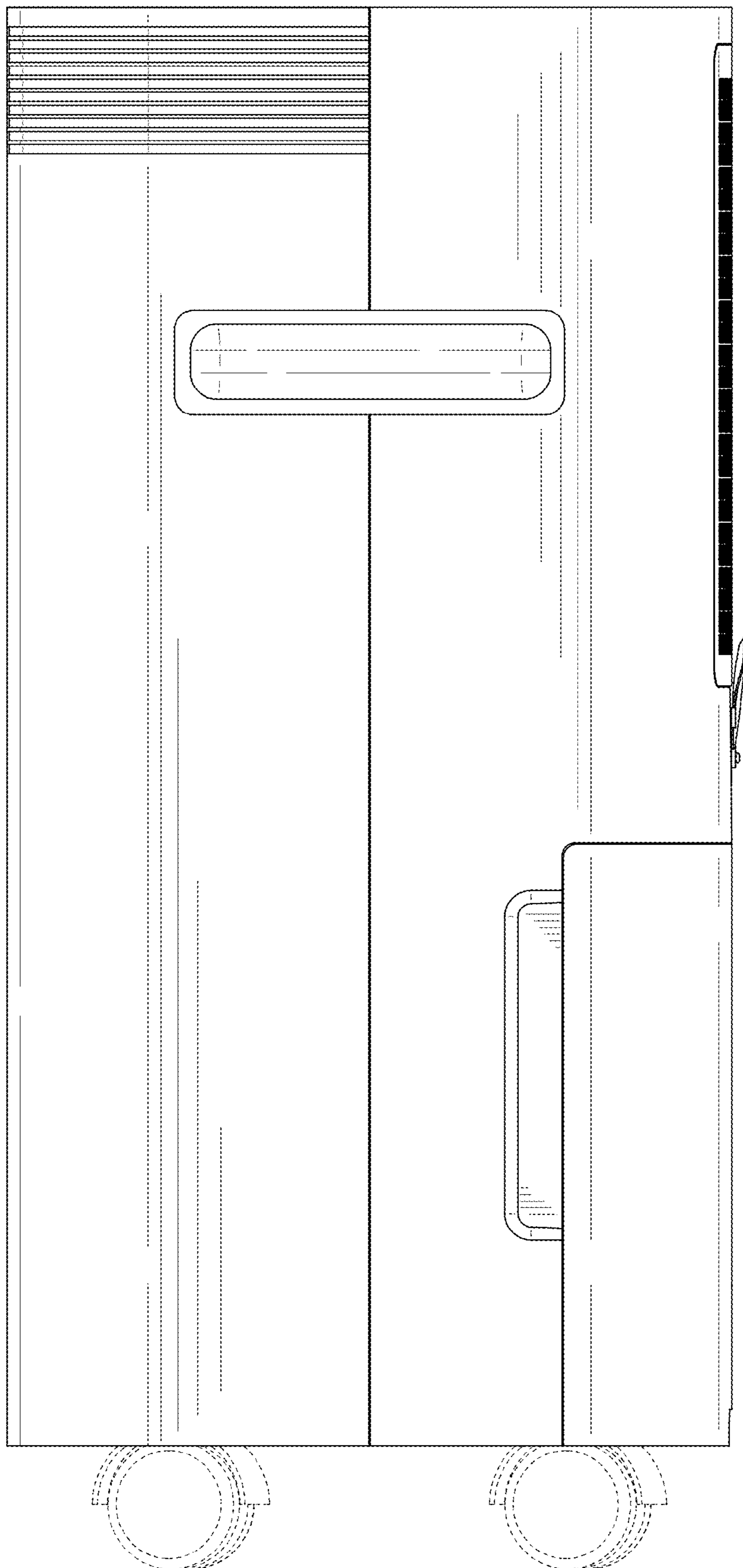


FIG. 6

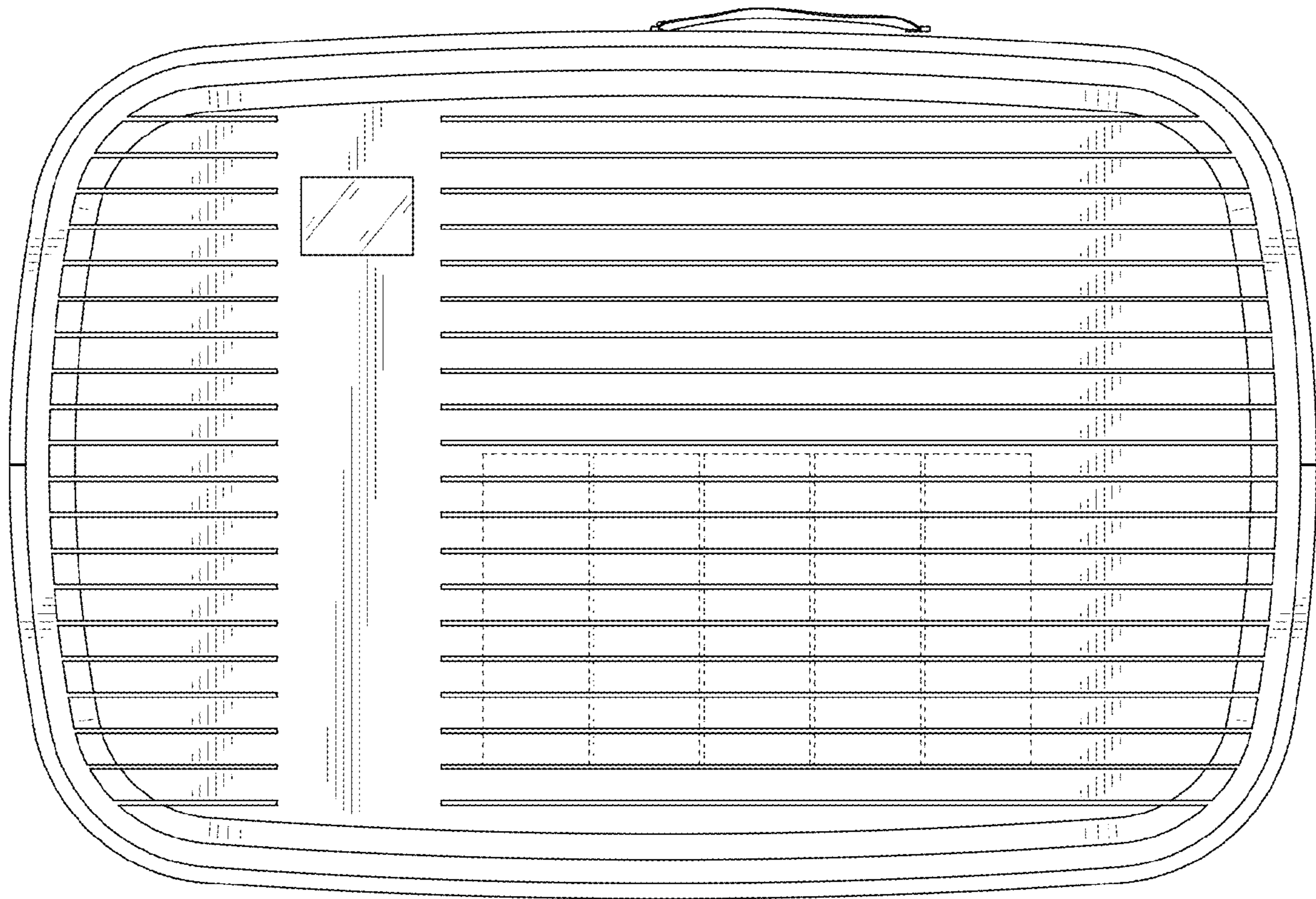


FIG. 7

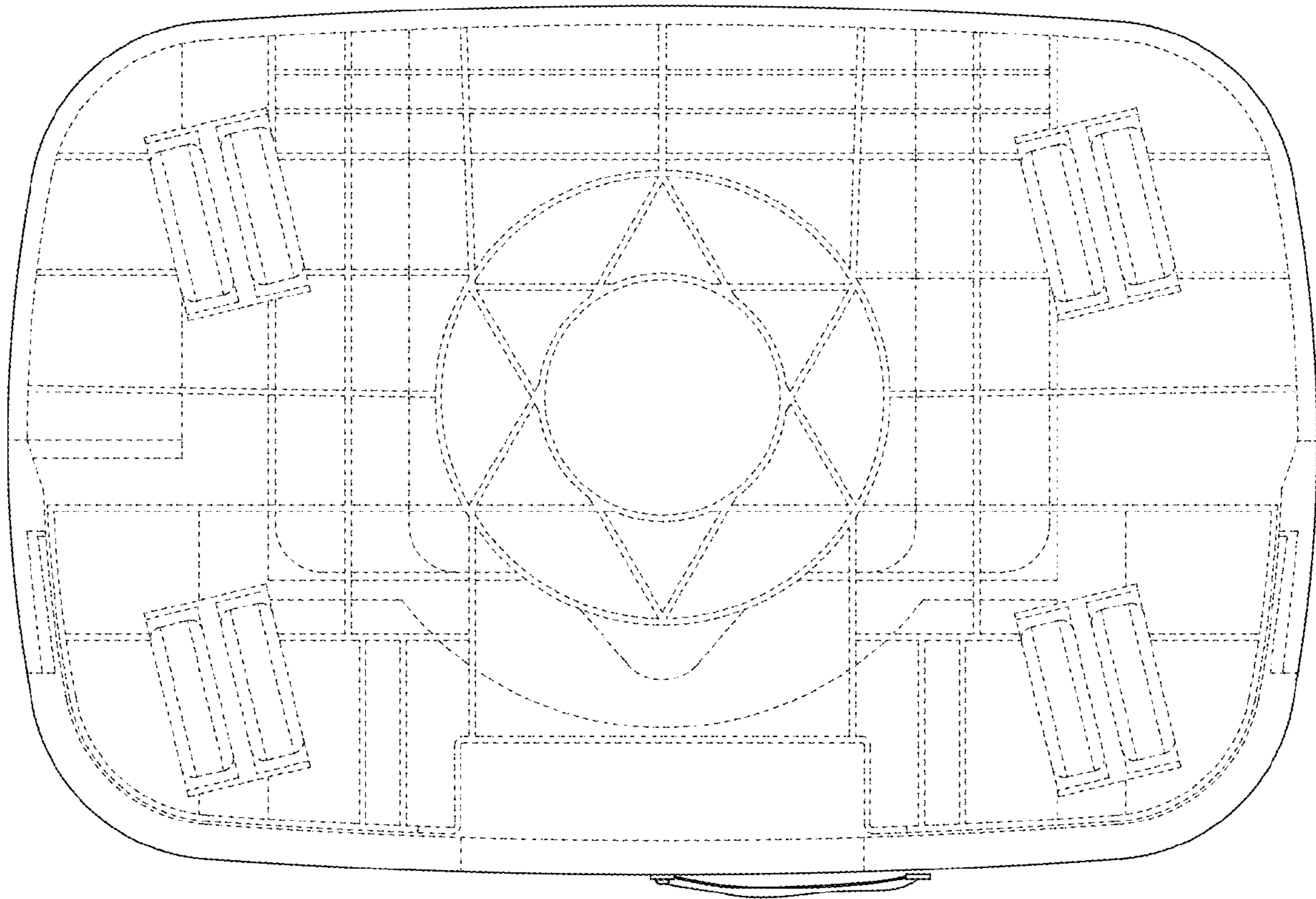


FIG. 8

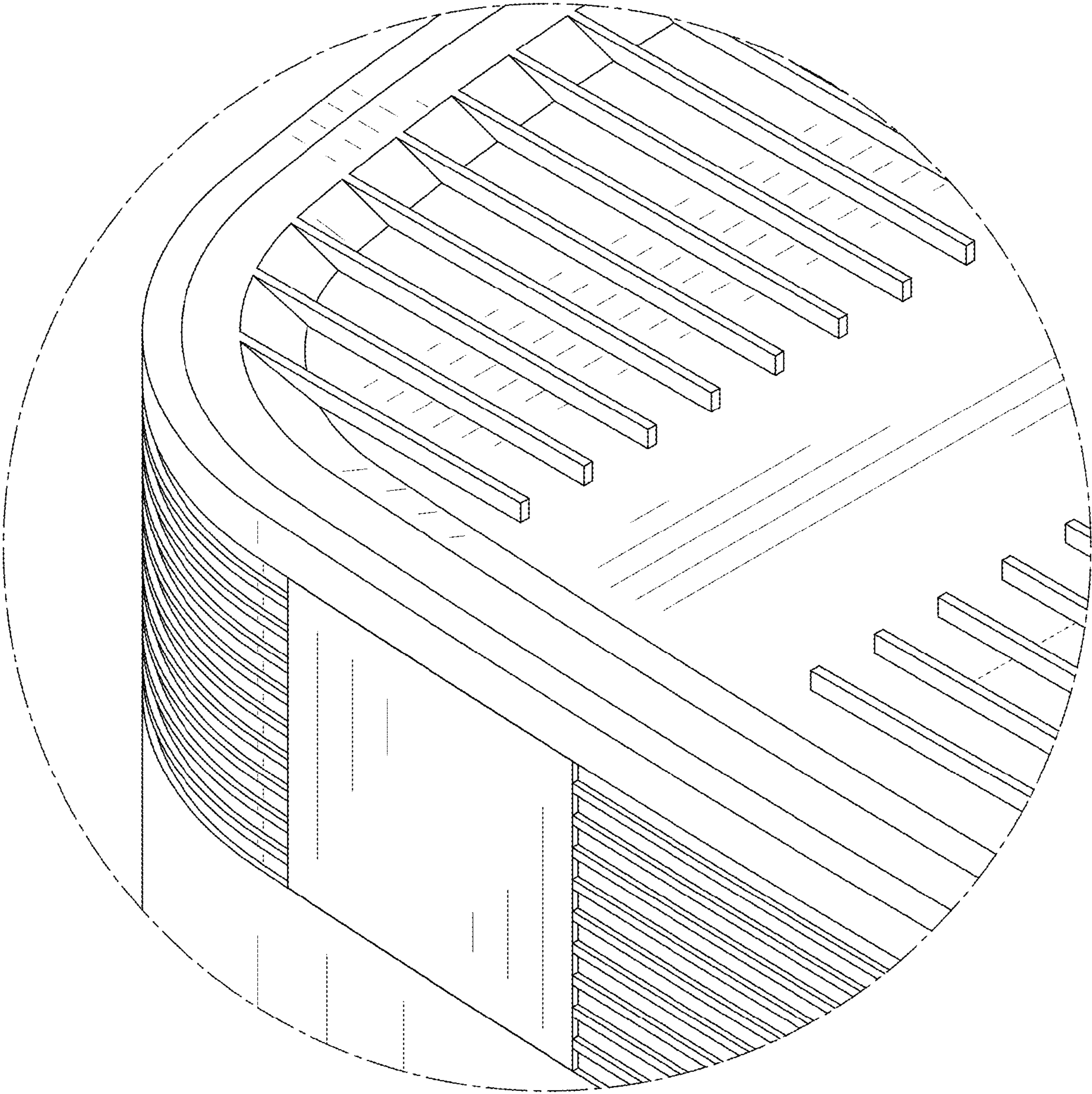


FIG. 9

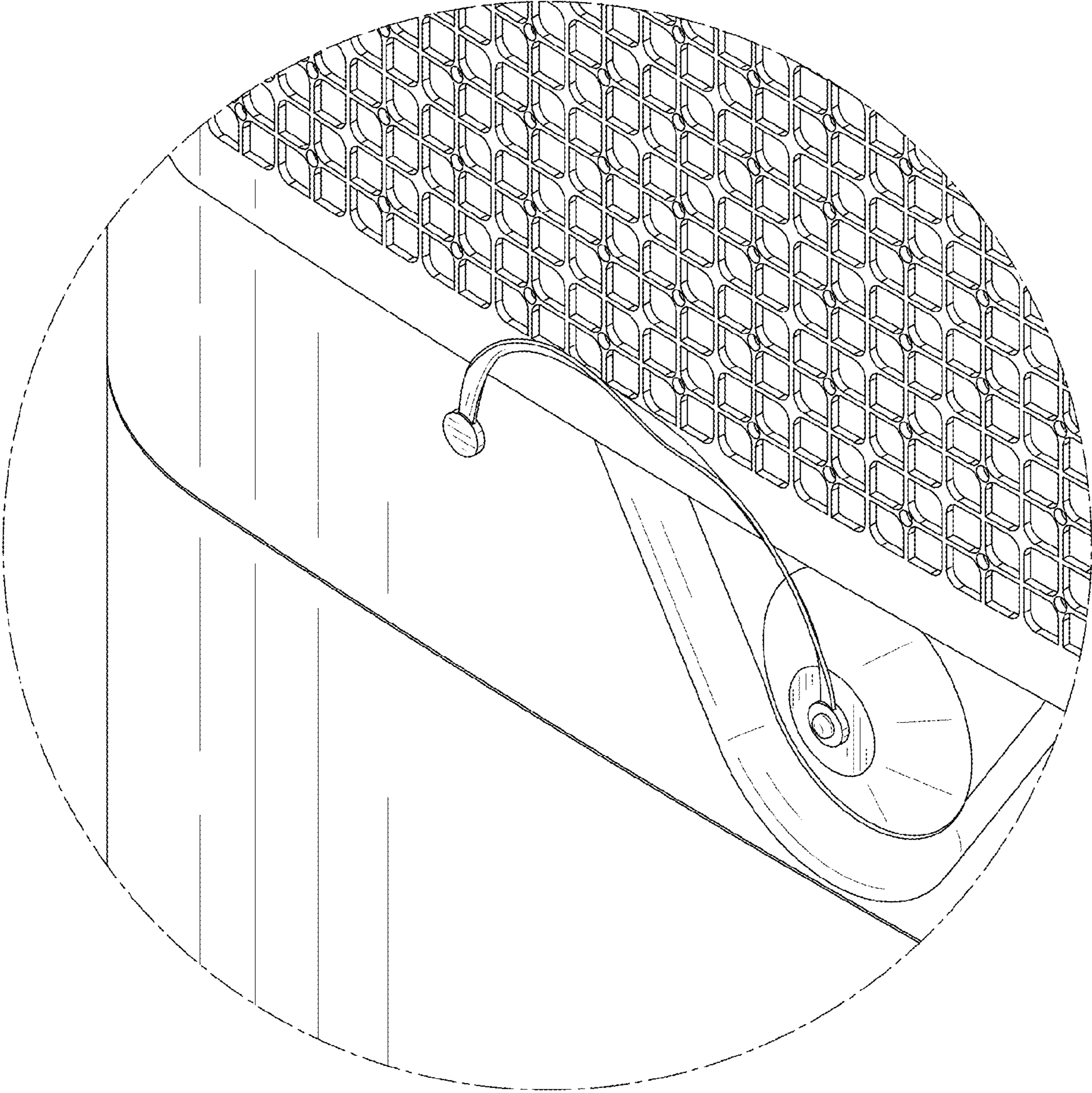


FIG. 10