



US00D919778S

(12) **United States Design Patent** (10) **Patent No.:** **US D919,778 S**  
**Sato** (45) **Date of Patent:** **\*\* May 18, 2021**

(54) **AIR CONDITIONER**

D762,831 S \* 8/2016 Park ..... D23/351  
D770,024 S \* 10/2016 Nakai ..... D23/351  
D849,910 S \* 5/2019 Arai ..... D23/351

(71) Applicant: **Mitsubishi Electric Corporation,**  
Tokyo (JP)

(Continued)

(72) Inventor: **Dai Sato,** Tokyo (JP)

FOREIGN PATENT DOCUMENTS

(73) Assignee: **Mitsubishi Electric Corporation,**  
Tokyo (JP)

CN 302995086 S 11/2014  
JP 1258722 S 12/2005

(Continued)

(\*\*) Term: **15 Years**

OTHER PUBLICATIONS

(21) Appl. No.: **29/715,170**

Office Action issued in JP 2018-017283; mailed by the Japanese Patent Office dated Apr. 16, 2019.

(22) Filed: **Nov. 27, 2019**

(Continued)

(30) **Foreign Application Priority Data**

May 29, 2019 (JP) ..... 2019-011665

*Primary Examiner* — Natasha Vujcic

(51) **LOC (13) Cl.** ..... **23-04**

(74) *Attorney, Agent, or Firm* — Studebaker & Brackett PC

(52) **U.S. Cl.**

USPC ..... **D23/351**

(57) **CLAIM**

The ornamental design for an air conditioner, as shown and described.

(58) **Field of Classification Search**

USPC ..... D23/333, 351–354, 388  
CPC .... F24F 1/00; F24F 1/0007; F24F 1/02; F24F 1/08; F24F 1/42; F24F 1/56; F24F 1/60; F24F 3/044; F24F 3/048; F24F 3/16; G05D 23/1905; G05D 23/1932; G05D 23/1902; G05D 23/1931; G05B 19/0426; G05B 19/409; G05B 15/02

**DESCRIPTION**

See application file for complete search history.

FIG. 1 is a first perspective view of the front, right, and top sides of an air conditioner showing my new design; FIG. 2 is a second perspective view of the front, left, and bottom sides thereof; FIG. 3 is a front view thereof; FIG. 4 is a rear view thereof; FIG. 5 is a right side view thereof a left side view being a mirror image thereof; FIG. 6 is a top plan view thereof; FIG. 7 is a bottom plan view thereof; and, FIG. 8 is a cross-sectional view showing the section cut from cut line 8-8, from FIG. 3, with omitting the interior mechanism.

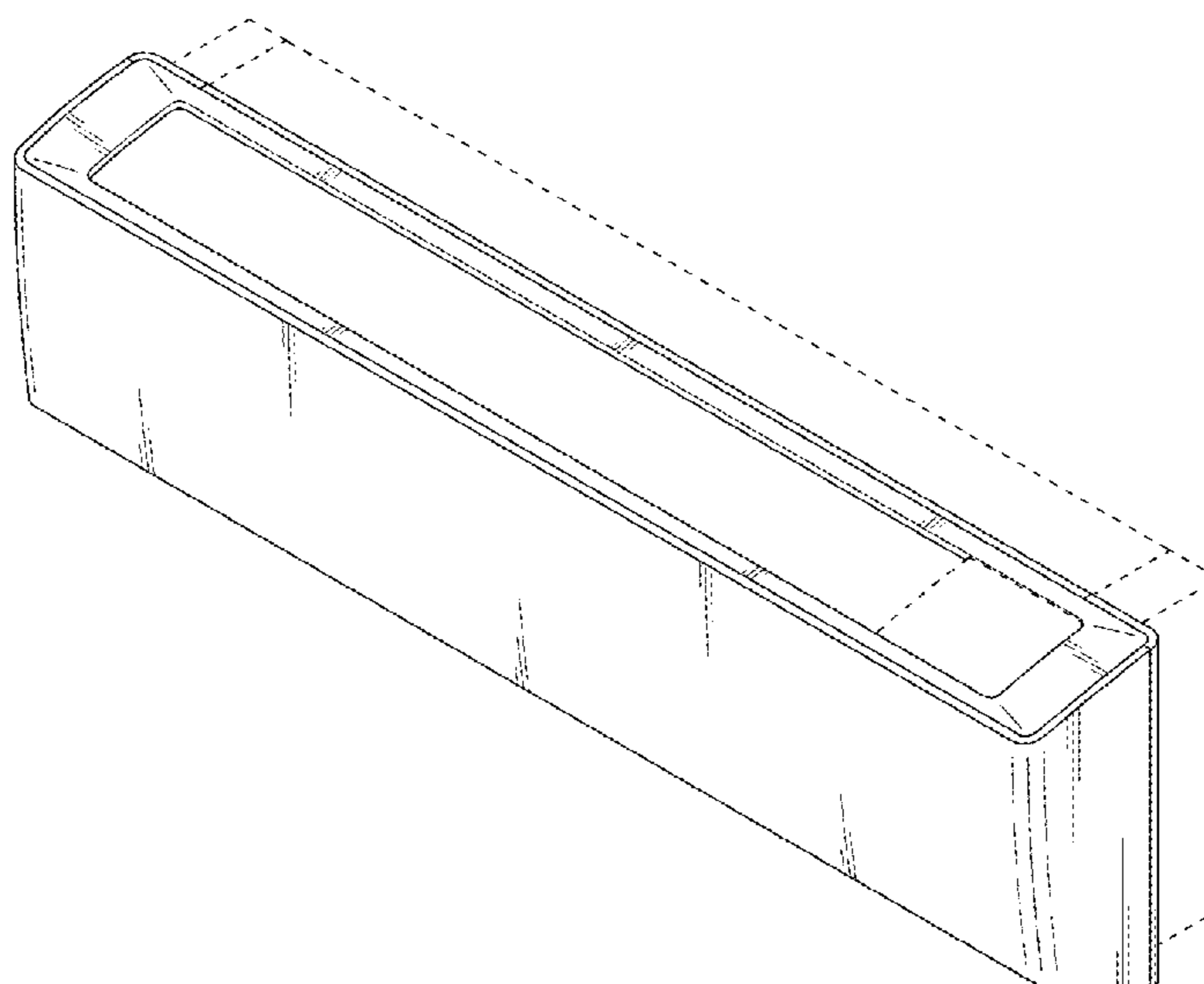
The broken lines shown represent unclaimed subject matter of the air conditioner and form no part of the claimed design.

(56) **References Cited**

U.S. PATENT DOCUMENTS

D539,405 S \* 3/2007 Jung ..... D23/351  
D576,719 S \* 9/2008 Seki ..... D23/351  
D595,397 S \* 6/2009 Park ..... D23/351  
D612,469 S \* 3/2010 Nagahori ..... D23/351  
D621,921 S \* 8/2010 Ishida ..... D23/351  
D623,281 S \* 9/2010 Ishida ..... D23/351  
D642,251 S \* 7/2011 Seki ..... D23/351

**1 Claim, 8 Drawing Sheets**



(56)

**References Cited**

U.S. PATENT DOCUMENTS

D884,133 S \* 5/2020 Nakamori ..... D23/351  
D886,265 S \* 6/2020 Yamamoto ..... D23/351

FOREIGN PATENT DOCUMENTS

JP	1344292 S	11/2008
JP	1371998 S	10/2009
JP	1373000 S	11/2009
JP	1373034 S	11/2009
JP	1521516 S	4/2015
JP	1521517 S	4/2015
JP	1449464 S	8/2015
JP	1548486 S	4/2016
JP	1548487 S	4/2016
JP	1561217 S	10/2016
JP	1589584 S	10/2017

OTHER PUBLICATIONS

Office Action issued in JP 2018-017283; mailed by the Japanese Patent Office dated Sep. 10, 2019.

\* cited by examiner

Fig.1

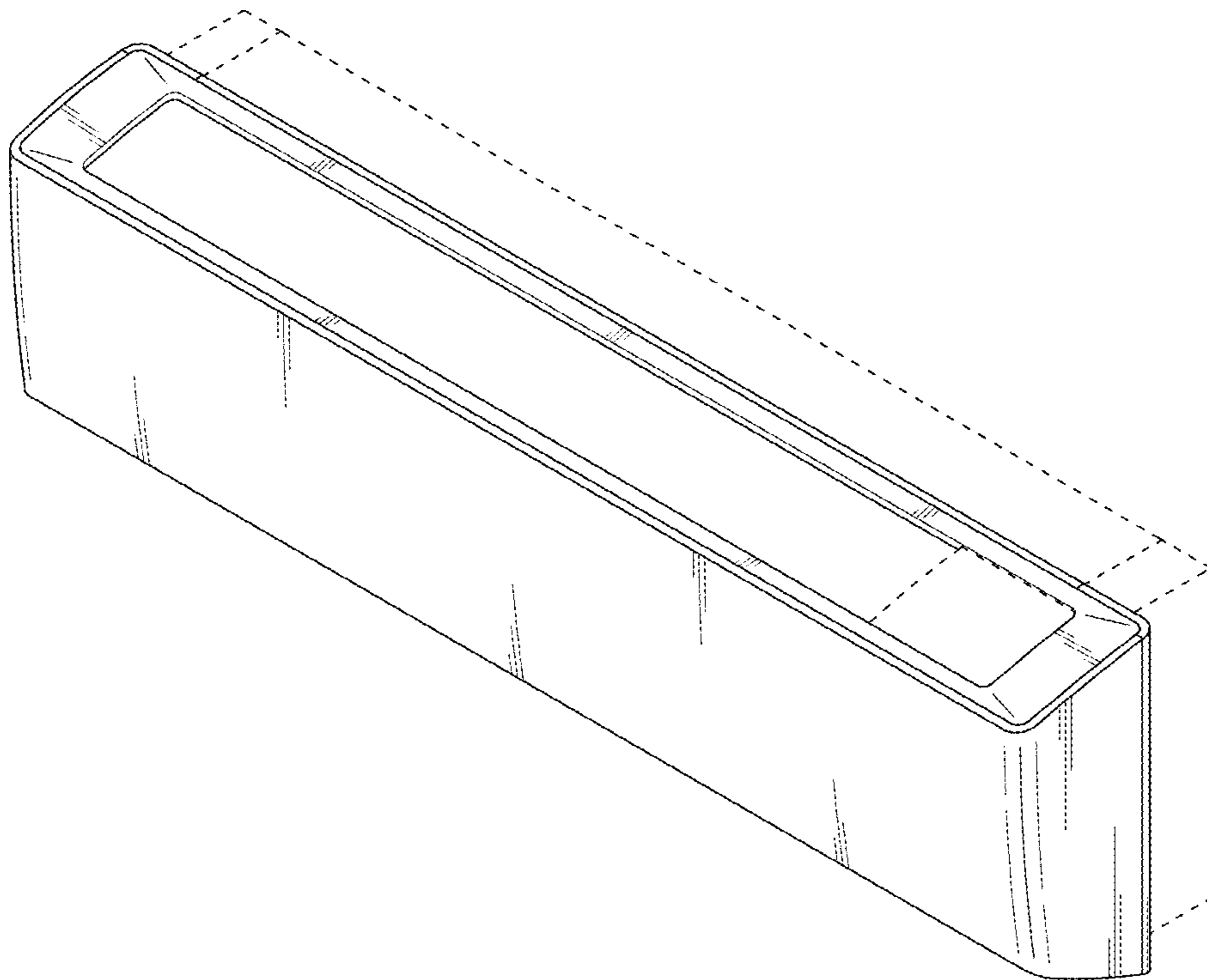


Fig.2

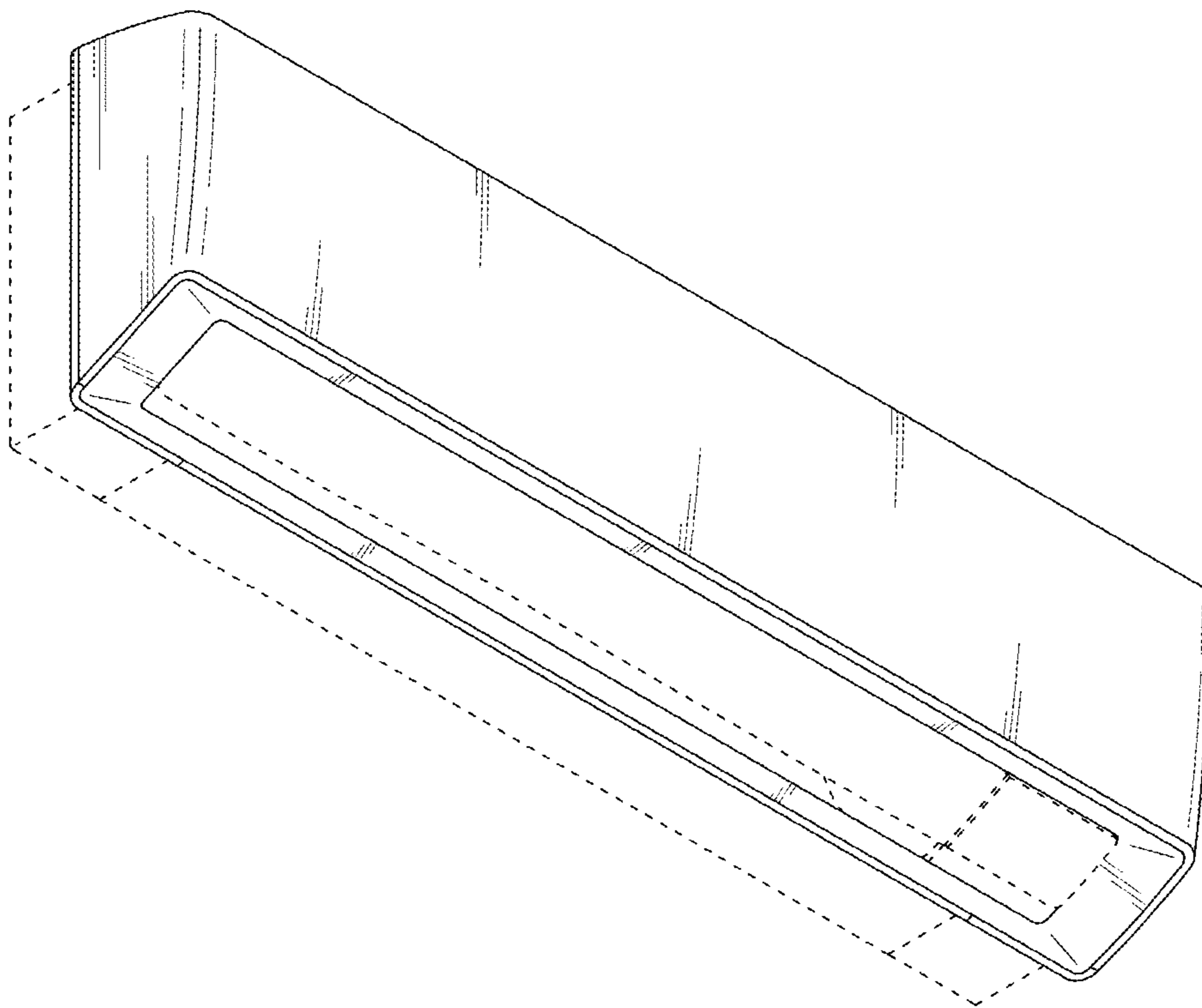


Fig.3

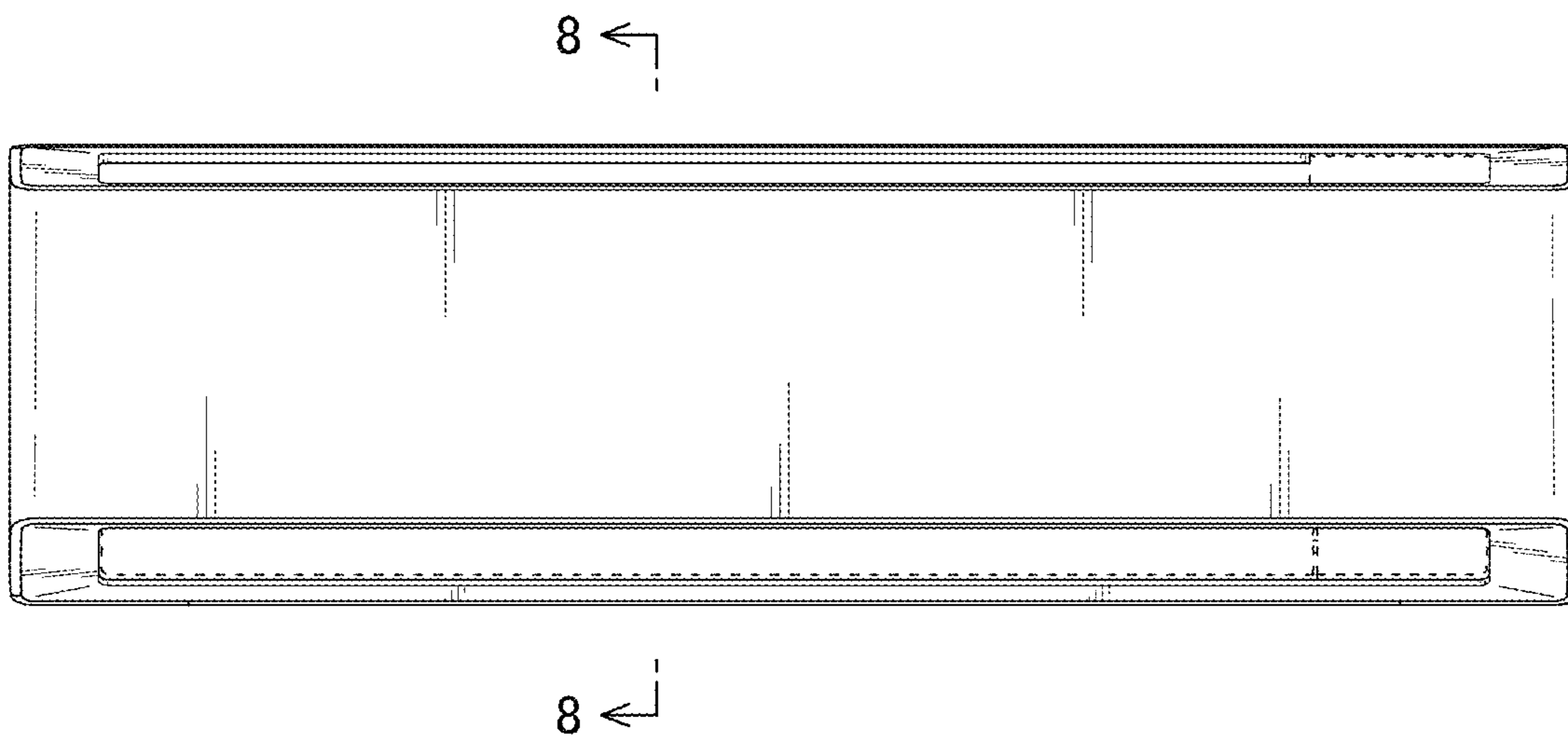


Fig.4

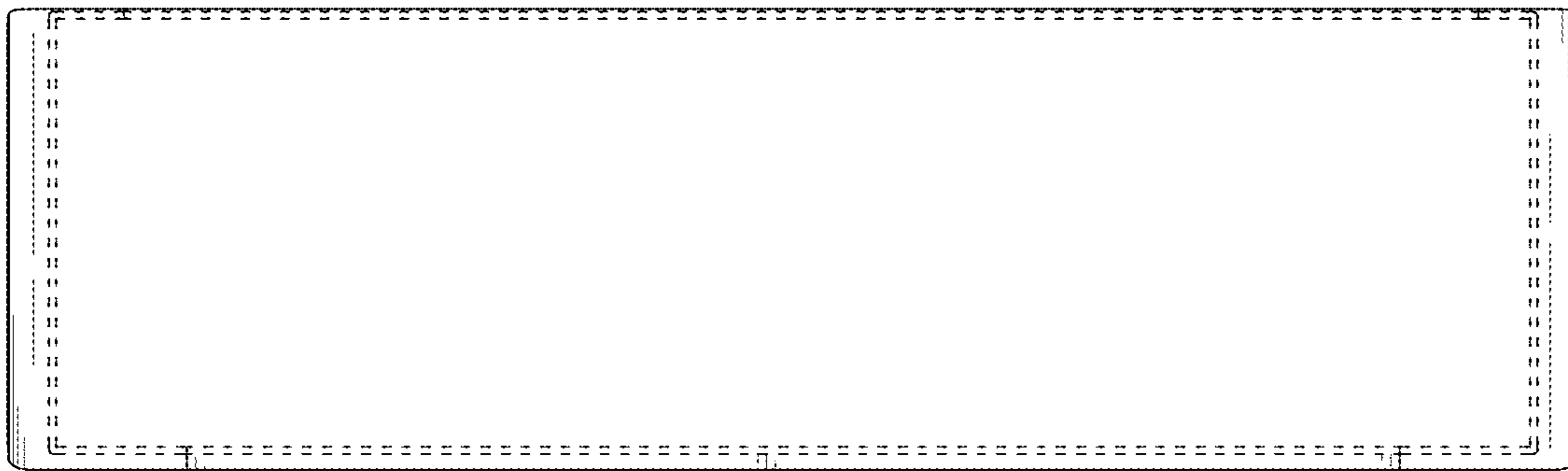


Fig.5

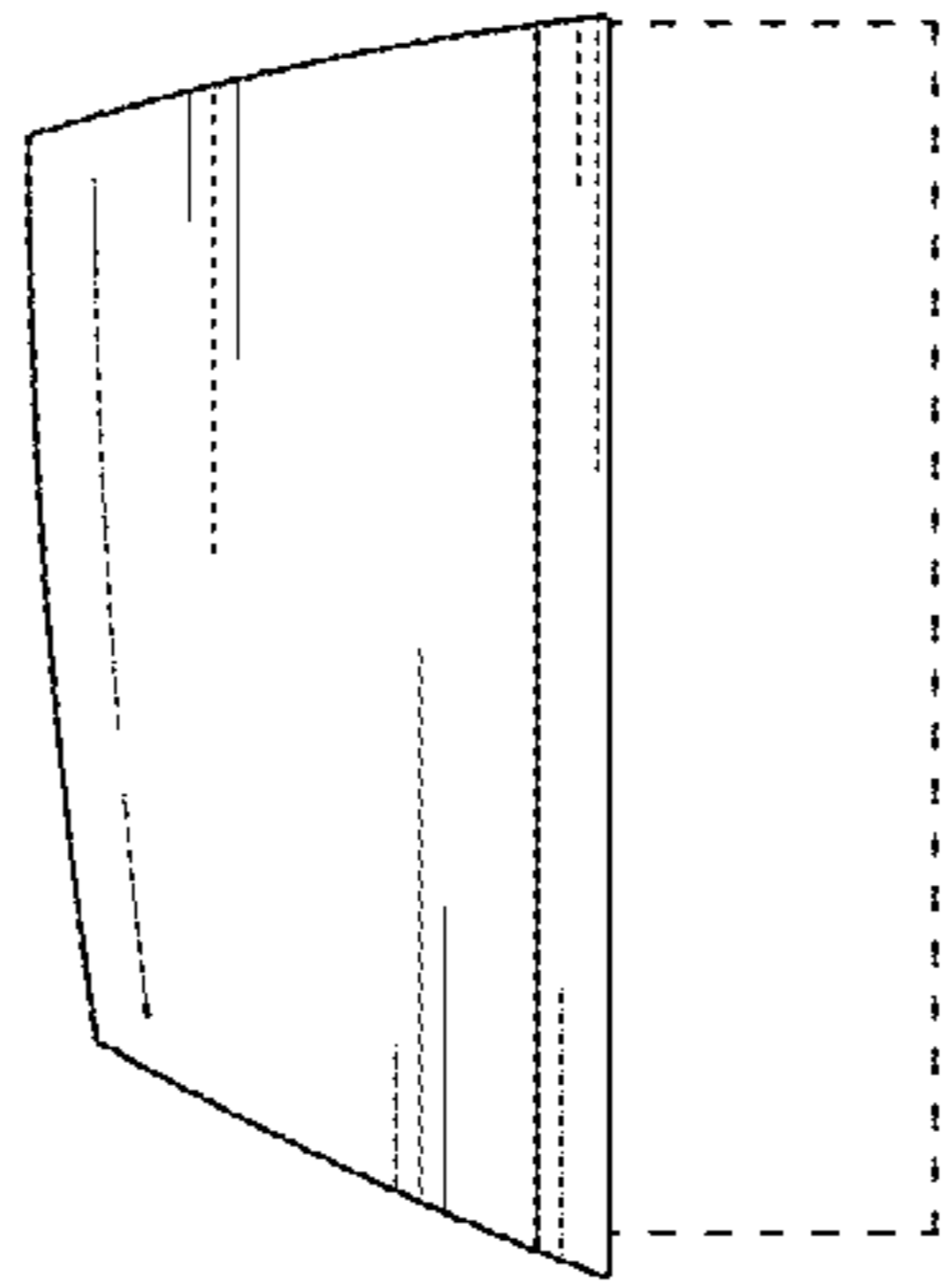


Fig.6

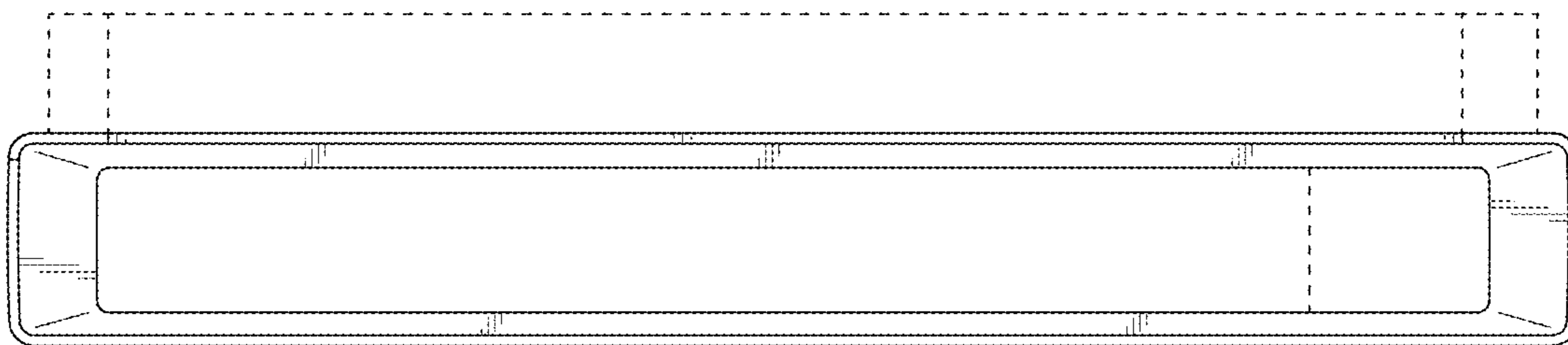




Fig.7

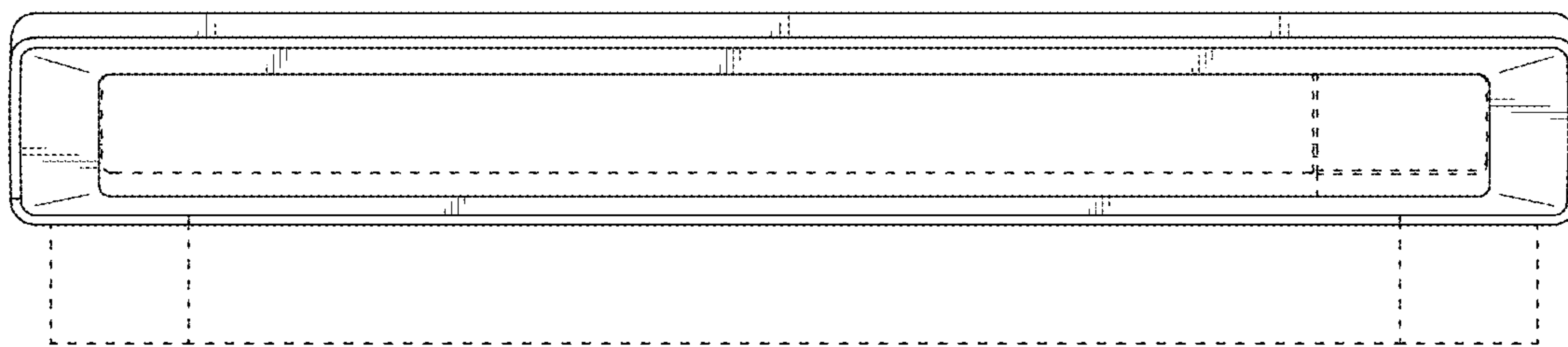


Fig.8

