



US00D919777S

(12) **United States Design Patent** (10) **Patent No.:** **US D919,777 S**
Stoltzfus (45) **Date of Patent:** **** May 18, 2021**

(54) **FIRE PIT**

(71) Applicant: **Breco, LLC**, Kinzers, PA (US)

(72) Inventor: **Amos A. Stoltzfus**, Gordonville, PA (US)

(73) Assignee: **Breco, LLC**, Kinzers, PA (US)

(**) Term: **15 Years**

(21) Appl. No.: **29/771,416**

(22) Filed: **Feb. 23, 2021**

Related U.S. Application Data

(63) Continuation of application No. 29/702,198, filed on Aug. 16, 2019, now Pat. No. Des. 914,172.

(51) **LOC (13) Cl.** **23-03**

(52) **U.S. Cl.**
USPC **D23/332; D23/336; D23/343**

(58) **Field of Classification Search**
USPC D23/332, 314, 343, 348, 350, 346, 336;
D7/332-337, 402-405, 352; D11/152;
D6/692, 377, 692.3, 708.2
CPC F24C 1/16; F24C 5/00; F24C 3/14; F24C
15/08; A47J 33/00; A47J 37/0763; A47J
37/07; A47J 37/0704; F24B 1/18; F24B
1/182; F24B 1/1808; F24B 1/181; F24B
1/195; F24B 1/191
See application file for complete search history.

(56) **References Cited**

U.S. PATENT DOCUMENTS

D734,975 S * 7/2015 Troyer, Jr. D7/332
D780,897 S * 3/2017 Weng D23/332
D790,677 S * 6/2017 Horsfield D23/343
D796,655 S * 9/2017 Horne, III D23/336

D801,495 S * 10/2017 Home, III D23/336
D845,455 S * 4/2019 Horsfield D23/332
10,473,334 B2 11/2019 Crosen
2002/0040644 A1 * 4/2002 McLemore A47J 37/0786
99/482
2015/0075514 A1 * 3/2015 Kuenzinger A47J 37/0763
126/25 A
2015/0285507 A1 * 10/2015 Troyer, Jr. F24B 1/1902
126/30
2017/0303741 A1 * 10/2017 Horne, III A47J 37/0763
2019/0137107 A1 5/2019 Crosen
2021/0045578 A1 * 2/2021 Stoltzfus A47J 37/0704

* cited by examiner

Primary Examiner — Ania Aman

(74) *Attorney, Agent, or Firm* — Zollinger & Burleson, Ltd.

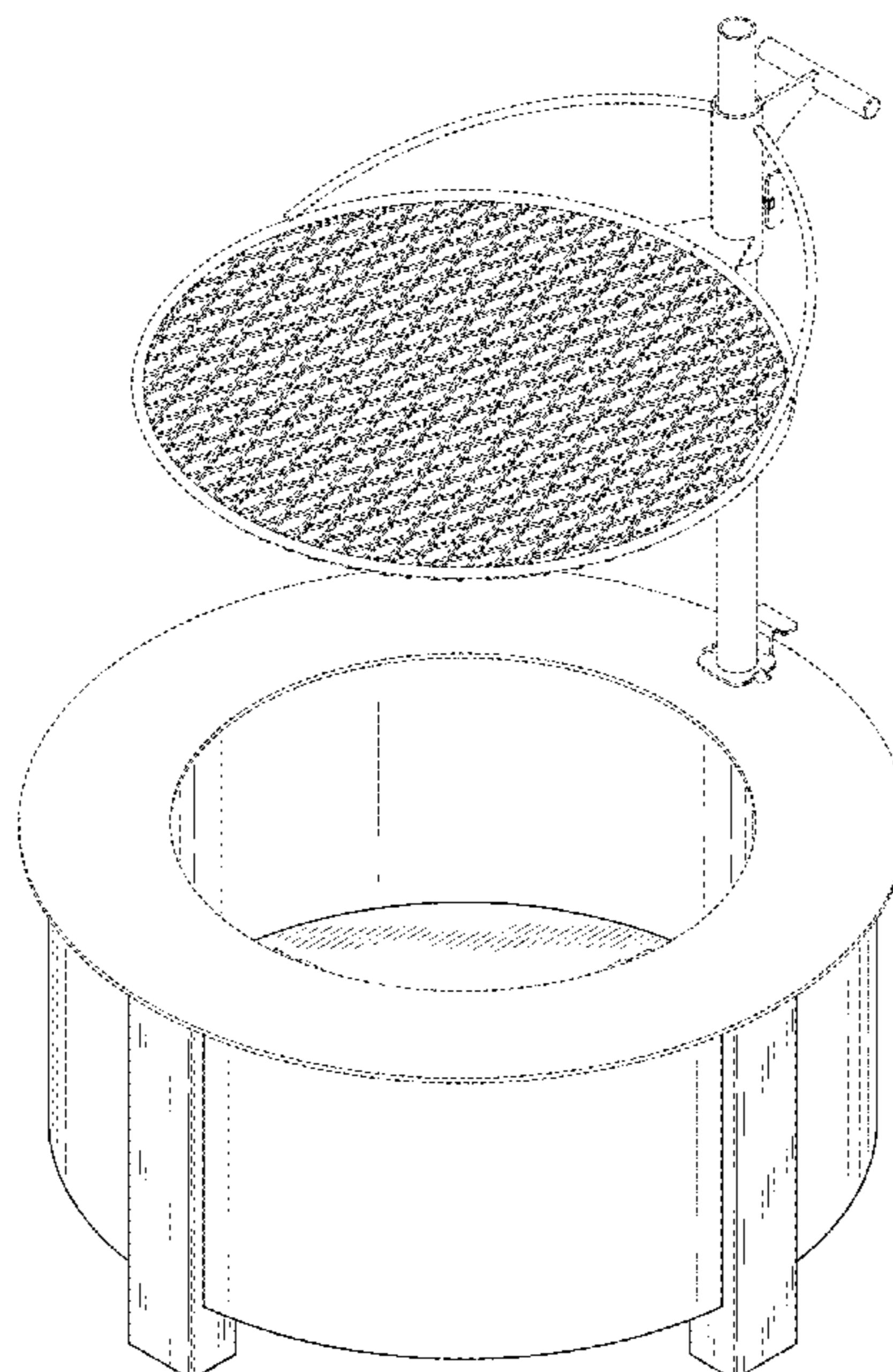
(57) **CLAIM**

The ornamental design for a fire pit, as shown and described.

DESCRIPTION

FIG. 1 is an upper perspective view of a fire pit showing my new design.
FIG. 2 is another upper perspective of the fire pit taken along line 2-2 of FIG. 4.
FIG. 3 is a lower perspective view thereof.
FIG. 4 is a front elevation view thereof.
FIG. 5 is a left side elevation view thereof.
FIG. 6 is a right side elevation view thereof.
FIG. 7 is a rear elevation view thereof.
FIG. 8 is a top plan view thereof.
FIG. 9 is a top plan view taken along line 9-9 of FIG. 4; and, FIG. 10 is a bottom plan view thereof.
The broken lines shown in the drawings are for purposes of illustrating portions of the article that form no part of the claimed design.

1 Claim, 10 Drawing Sheets



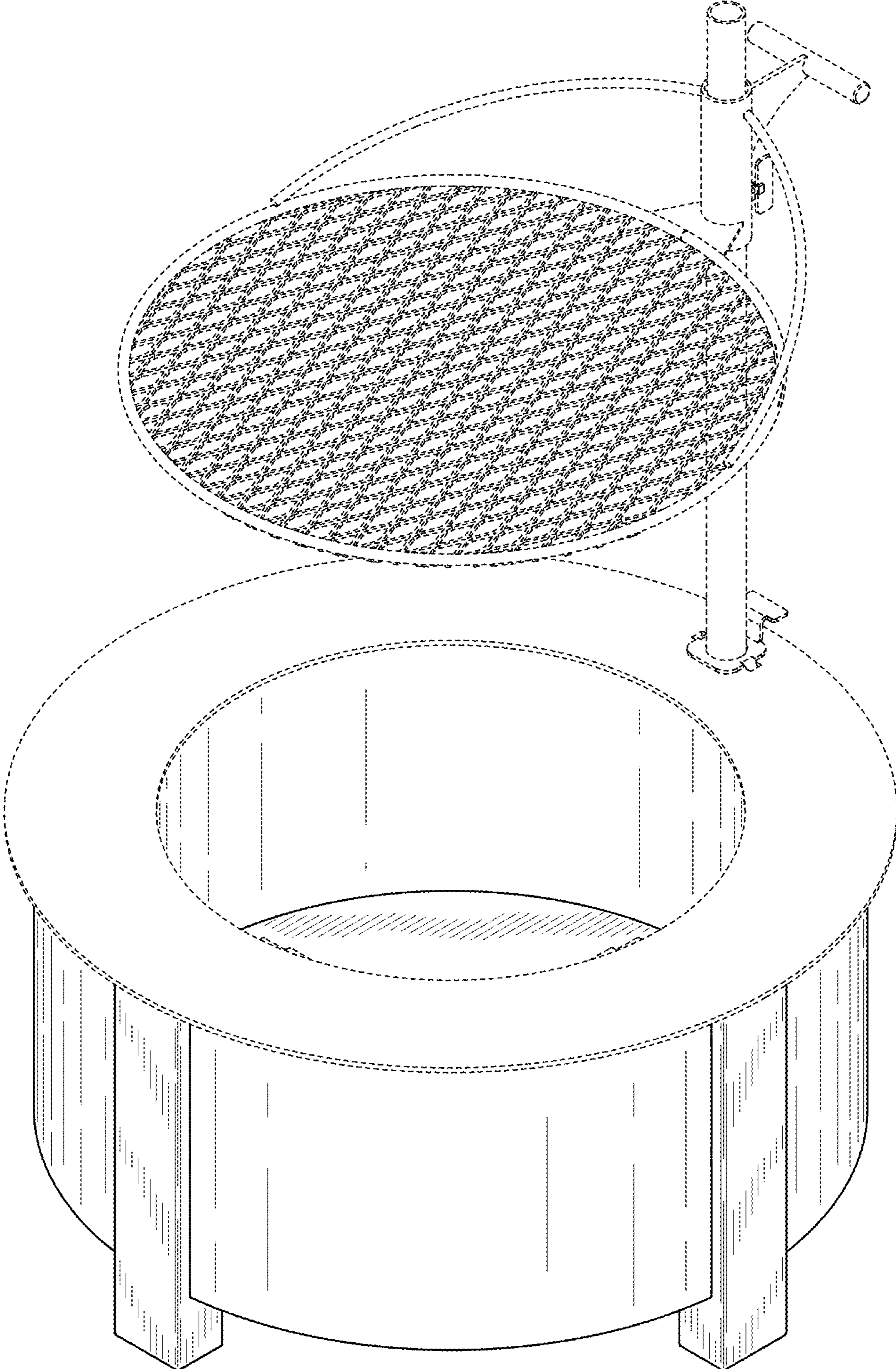


FIG. 1

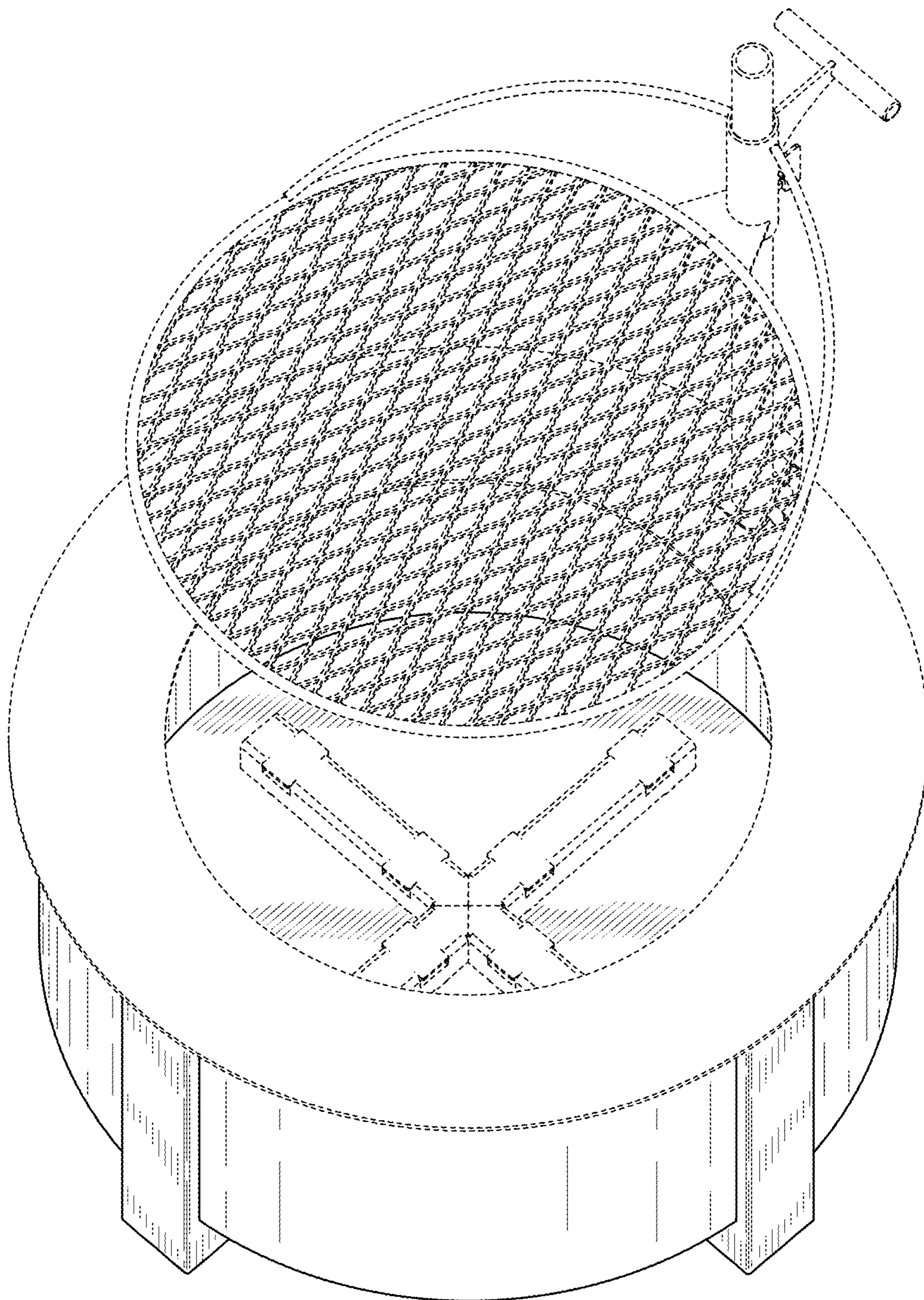


FIG. 2

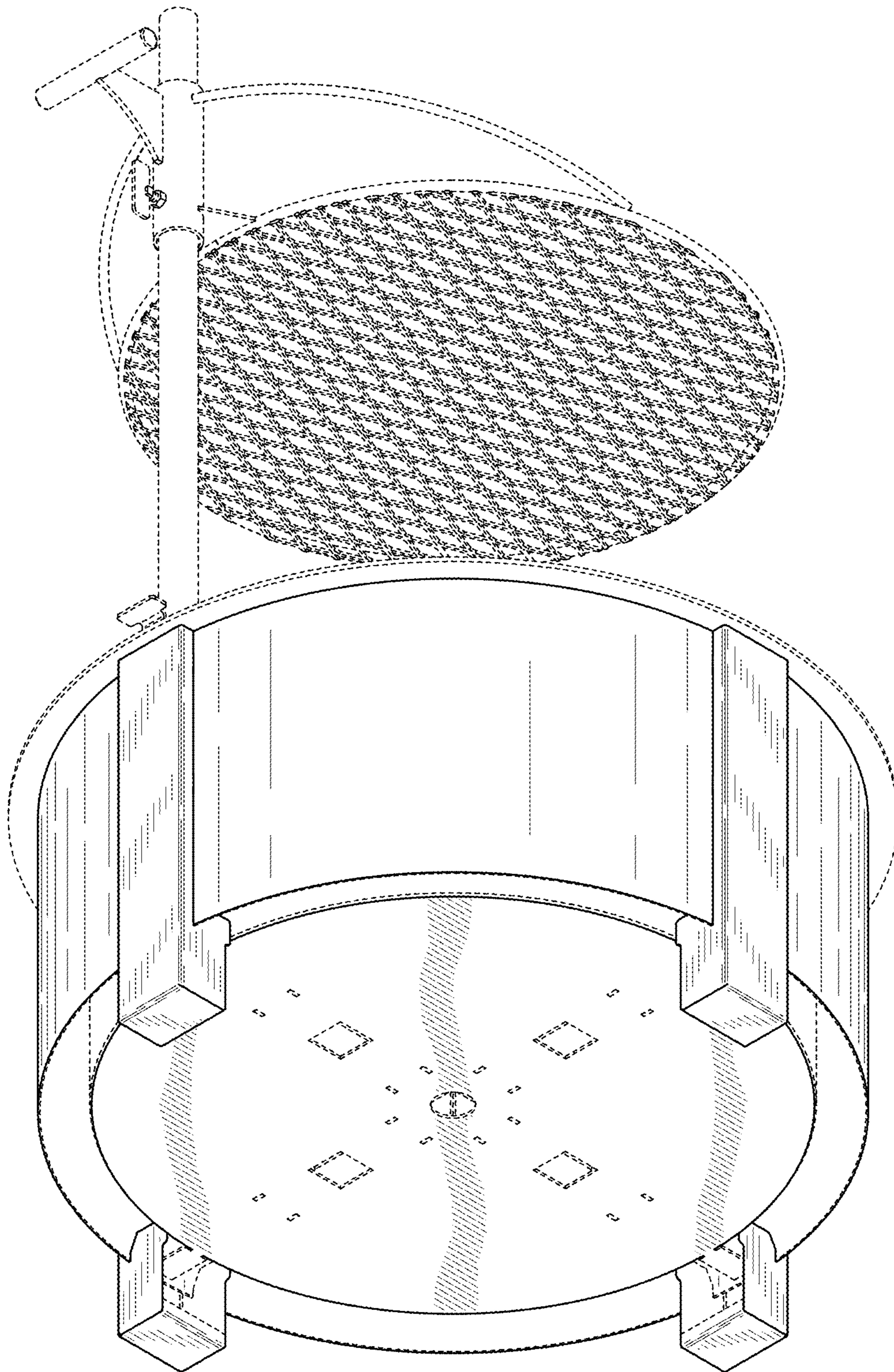


FIG. 3

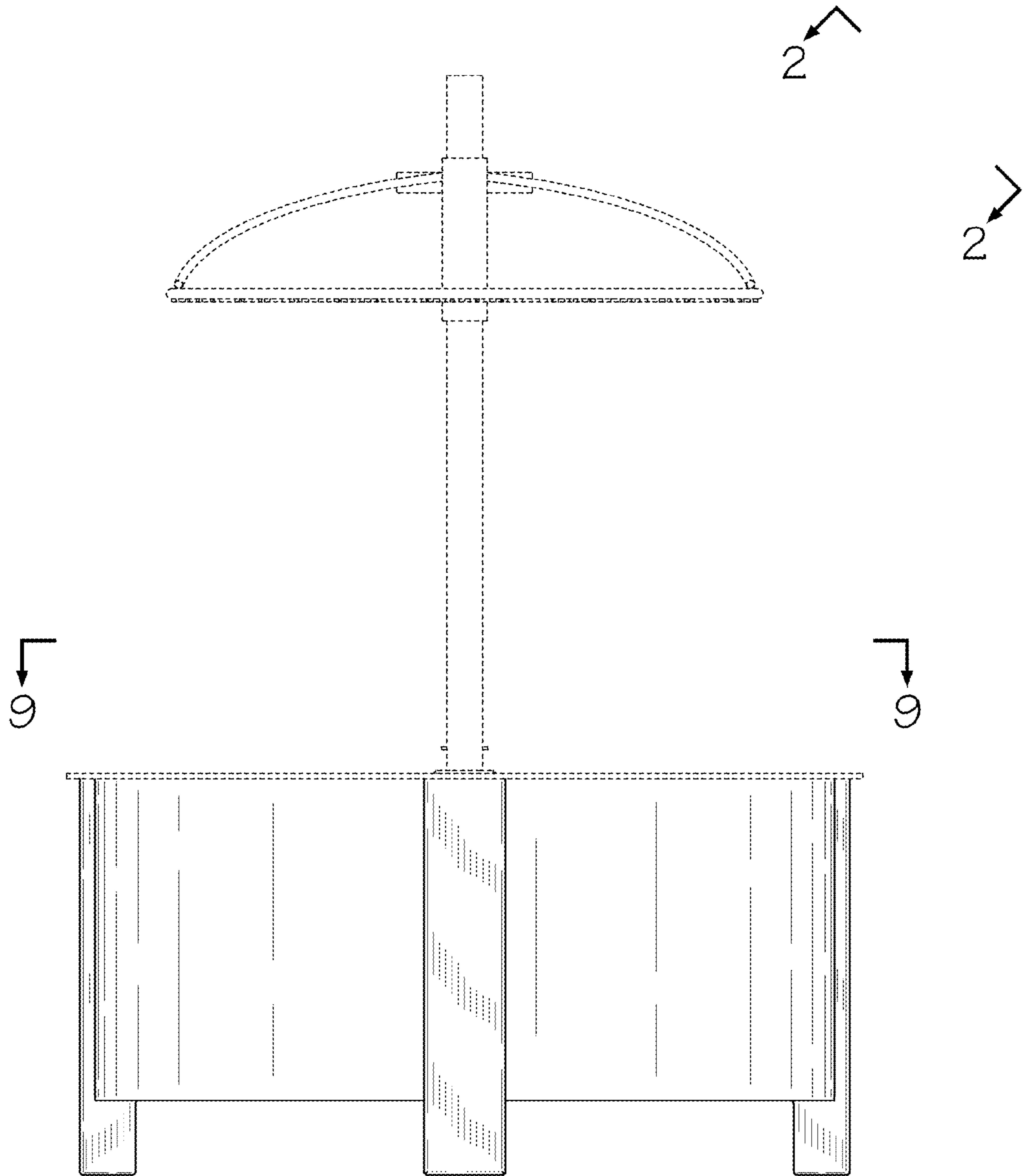


FIG. 4

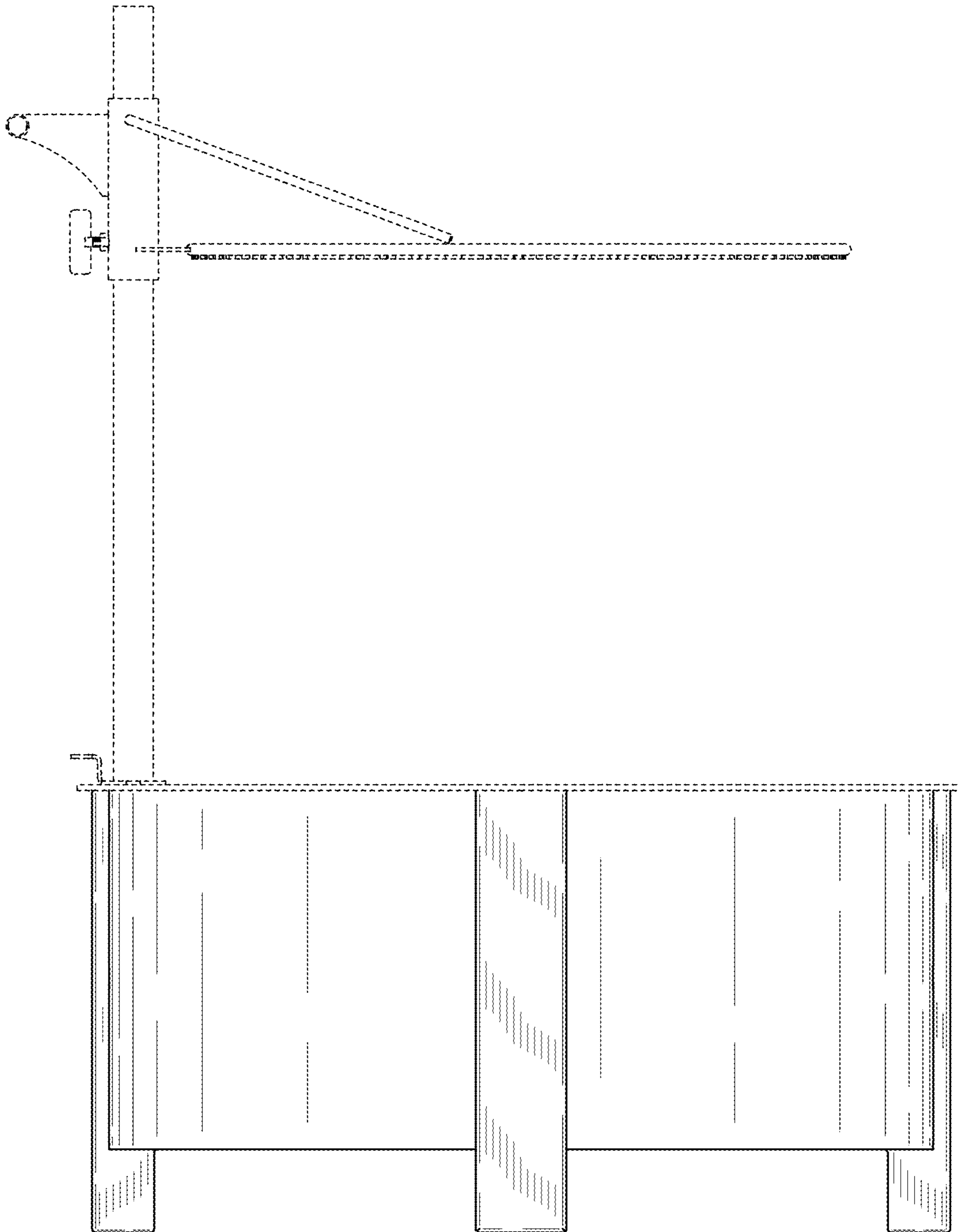


FIG. 5

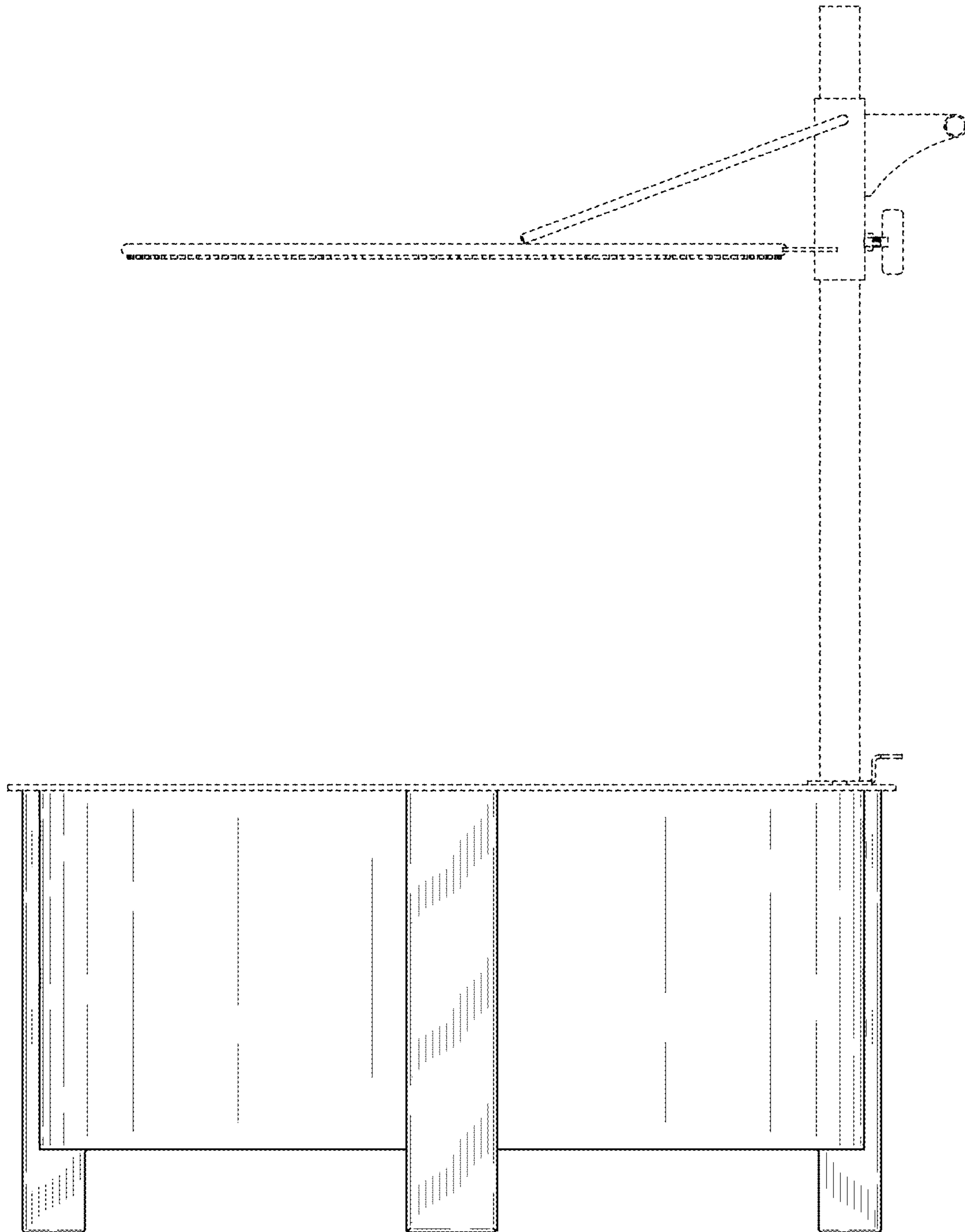


FIG. 6

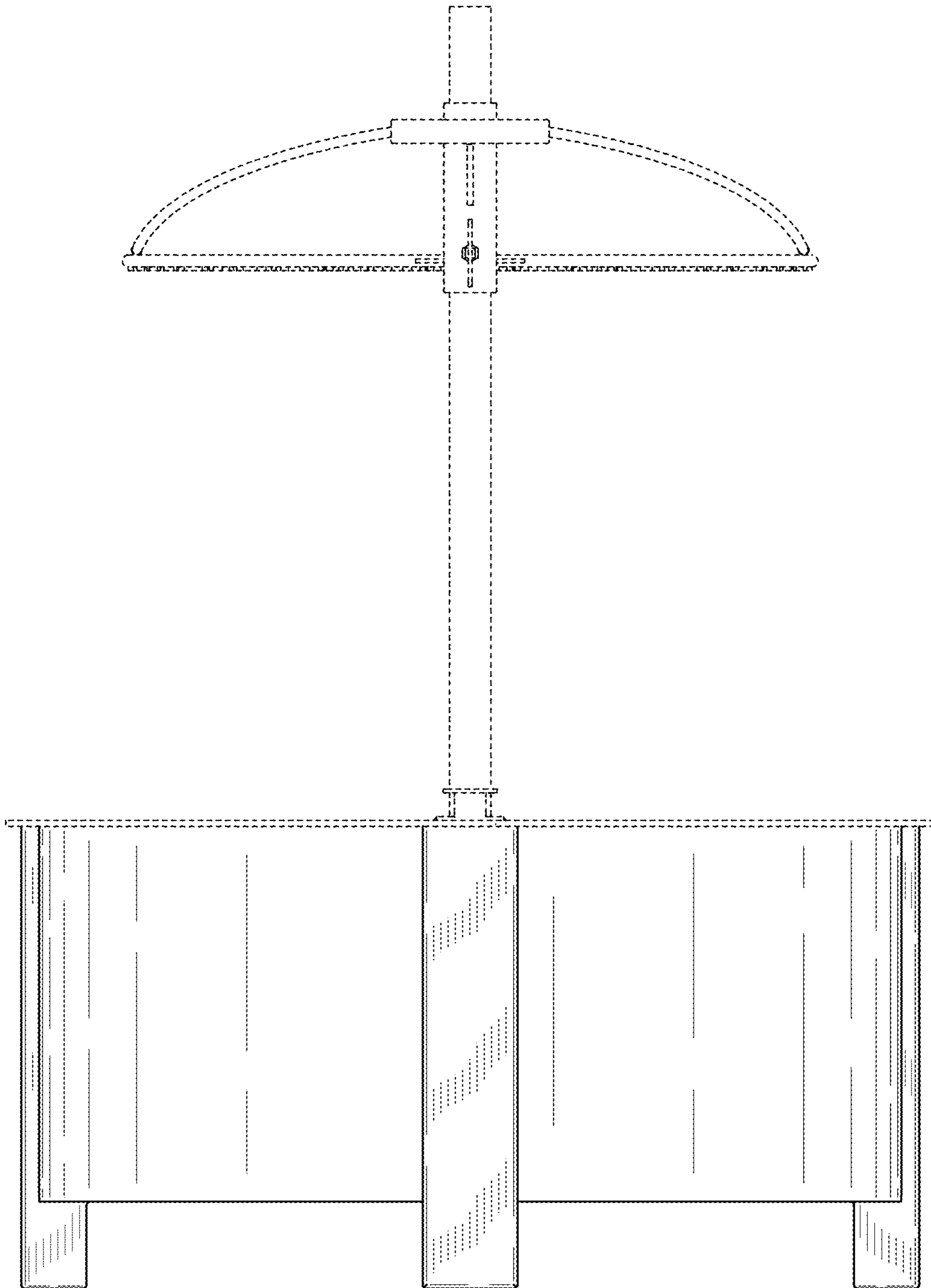


FIG. 7

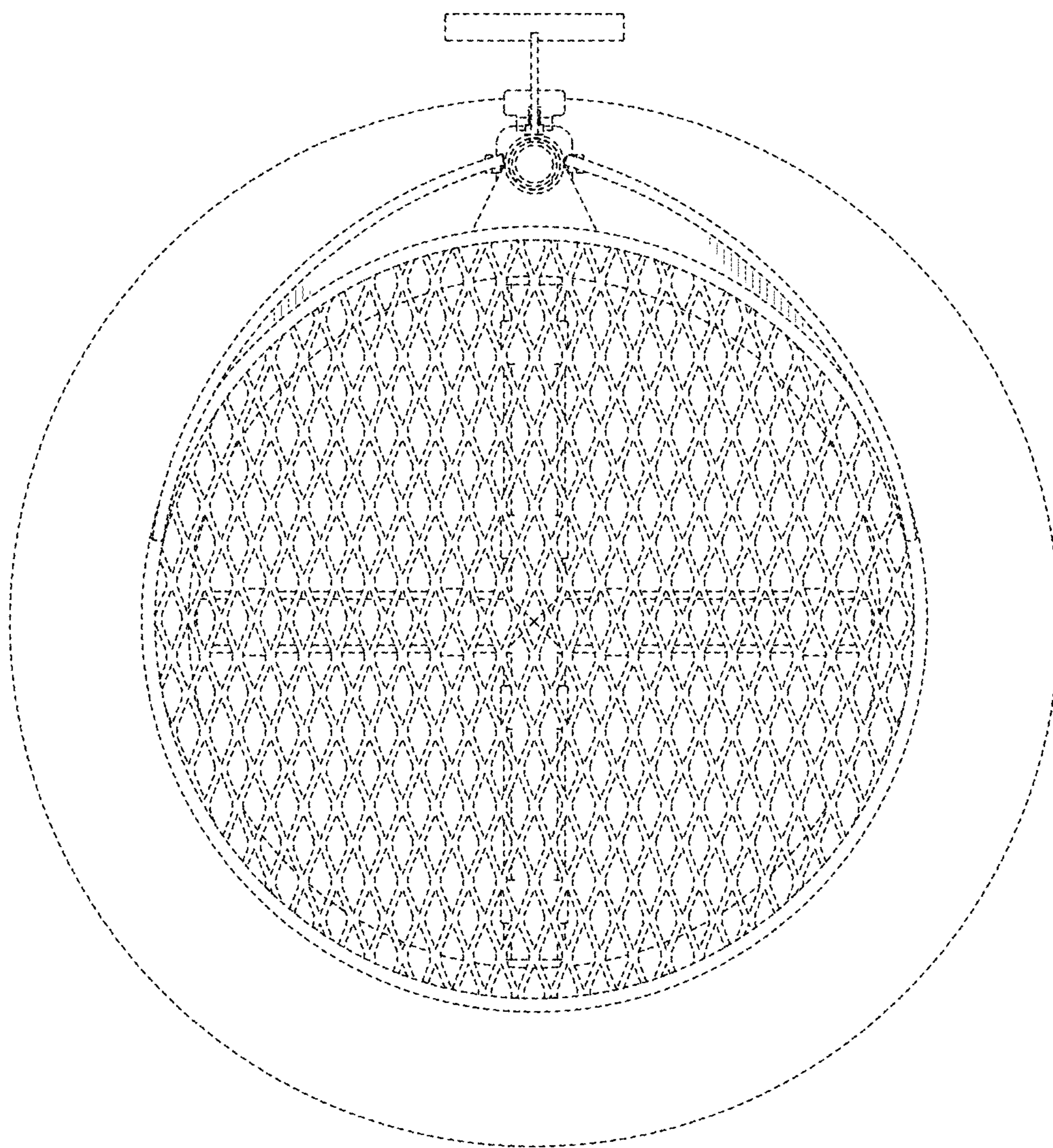


FIG. 8

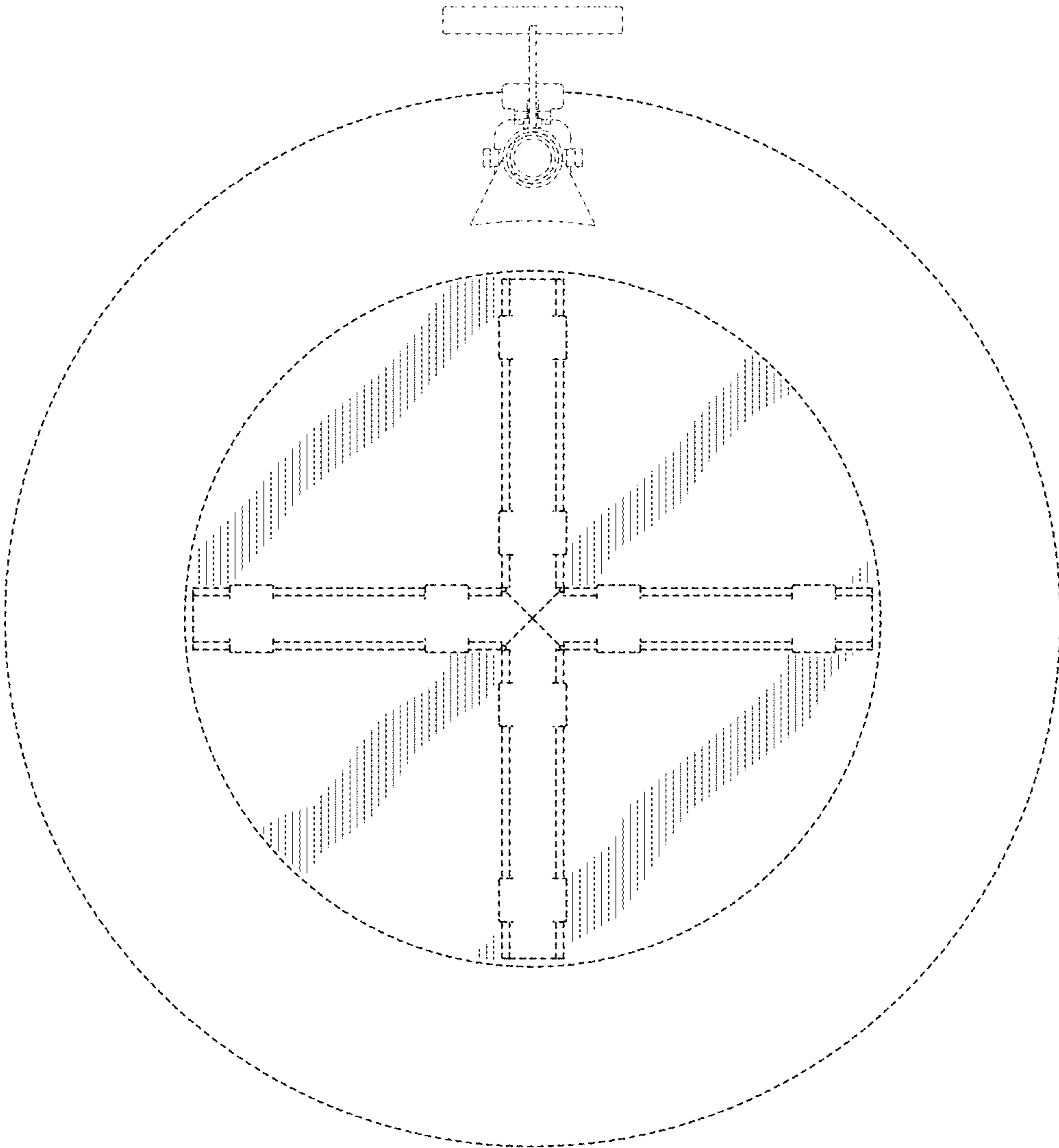


FIG. 9

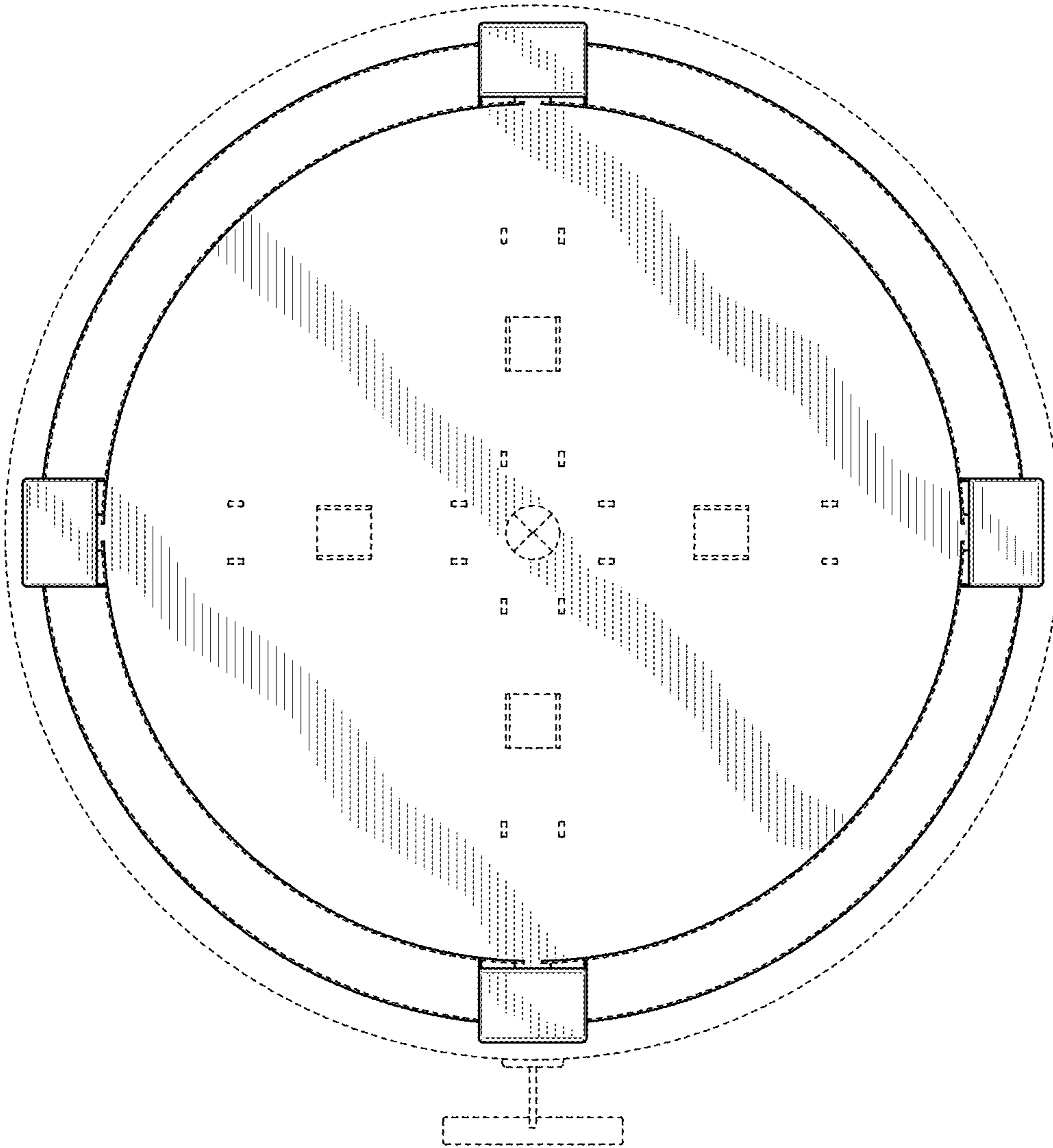


FIG. 10