



US00D919776S

(12) **United States Design Patent** (10) **Patent No.:** **US D919,776 S**
Zhong et al. (45) **Date of Patent:** **** May 18, 2021**

(54) **GAS STOVE TABLE**

(71) Applicant: **Shenzhen Aukeyhi Technology Co., Ltd.**, Shenzhen (CN)

(72) Inventors: **Xiaomin Zhong**, Shenzhen (CN);
Haizhuan Lu, Shenzhen (CN)

(73) Assignee: **Shenzhen Aukeyhi Technology Co., Ltd.**, Shenzhen (CN)

(**) Term: **15 Years**

(21) Appl. No.: **29/716,658**

(22) Filed: **Dec. 11, 2019**

(30) **Foreign Application Priority Data**

Jun. 17, 2019 (EM) 006582664

(51) **LOC (13) Cl.** **23-03**

(52) **U.S. Cl.**
USPC **D23/332; D23/339**

(58) **Field of Classification Search**
USPC D23/314, 317, 332, 336, 342-350, 329,
D23/338, 339, 328, 334, 335, 341;
D7/332, 334-337, 339, 341; D6/689,
D6/691, 691.1, 685, 686, 688.12
CPC F24C 7/105; F24C 1/10; F24C 3/04; F24C
7/065; F23D 14/12; F24H 3/00; A47J
2037/0777; A47J 37/0763; F24B 3/00;
F24B 1/95; F24B 1/00; F24B 13/00;
F24B 1/18; F24B 13/004; F24B 1/192;
F24B 1/181; F24B 1/182; F24B 1/1802
See application file for complete search history.

(56) **References Cited**

U.S. PATENT DOCUMENTS

3,491,744 A * 1/1970 Von Kohorn, Jr.
A47J 37/0781
126/25 R
D233,499 S * 11/1974 Sakata D6/686

D698,908 S * 2/2014 Krieger D23/314
10,240,796 B1 * 3/2019 Stilwell F24B 1/191
D848,591 S * 5/2019 O'Brien Wheeler D23/343
D857,865 S * 8/2019 Wang D23/339
D901,651 S * 11/2020 Wang D23/332
2017/0261210 A1 * 9/2017 Harris F24C 3/08
2019/0301739 A1 * 10/2019 Dobias F24C 5/08
2020/0191407 A1 * 6/2020 Zemel F24B 1/192

OTHER PUBLICATIONS

Amazon FIXKIT 30" Propane Fire Pit Table, 50,000 BTU Auto-Ignition Gas Fire Table https://www.amazon.com/FIXKIT-Auto-Ignition-Waterproof-Certification-Fireplace/dp/B083R9K4HT/ref=sr_1_32?dchild=1&keywords=wicker+gas+table&qid=1609047105&sr=8-32 (Year: 2020).*

(Continued)

Primary Examiner — Ania Aman

(74) *Attorney, Agent, or Firm* — Westbridge IP LLC

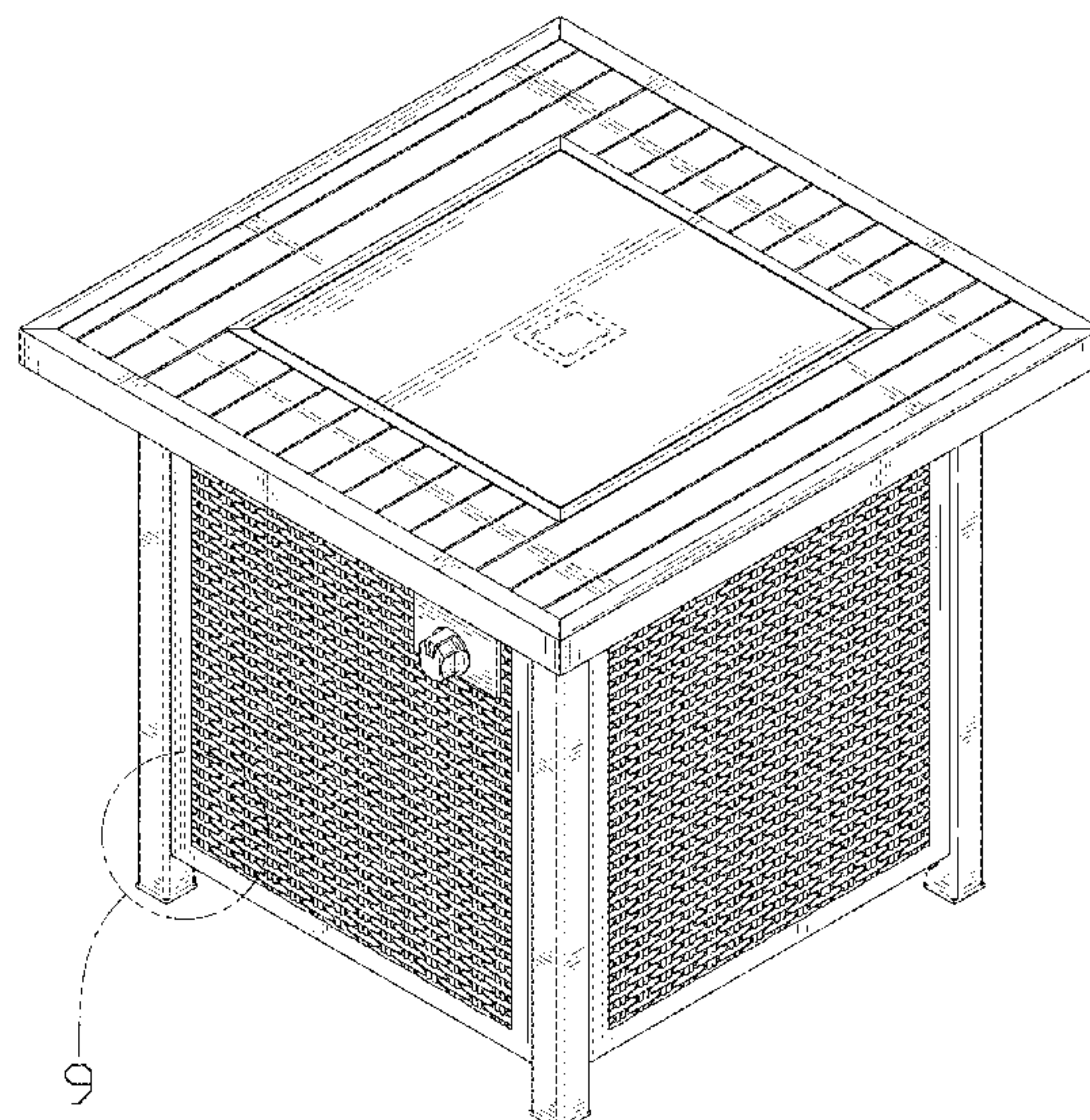
(57) **CLAIM**

The ornamental design for a gas stove table, as shown and described.

DESCRIPTION

FIG. 1 is front, left and top side perspective view of a gas stove table showing our new design;
FIG. 2 is a rear, right and bottom perspective view thereof;
FIG. 3 is a front elevational view thereof;
FIG. 4 is a rear elevational view thereof;
FIG. 5 is a left side view thereof;
FIG. 6 is a right side view thereof;
FIG. 7 is a top plan view thereof;
FIG. 8 is a bottom plan view thereof; and,
FIG. 9 is an enlarged view of portion 9 in FIG. 1.
The broken lines in the drawings illustrate the portions of the gas stove table which form no part of the claimed design.

1 Claim, 9 Drawing Sheets



(56)

References Cited

OTHER PUBLICATIONS

Amazon TACKLIFE Propane Fire Pit Table, Outdoor Companion, 28 Inch 50,000 BTU Auto-Ignition Gas Fire Pit Table https://www.amazon.com/TACKLIFE-Auto-Ignition-Certification-Approval-Tabletop/dp/B07LG5Q78Q/ref=psdc_10044115011_t2_B083R9K4HT (Year: 2020).*

* cited by examiner

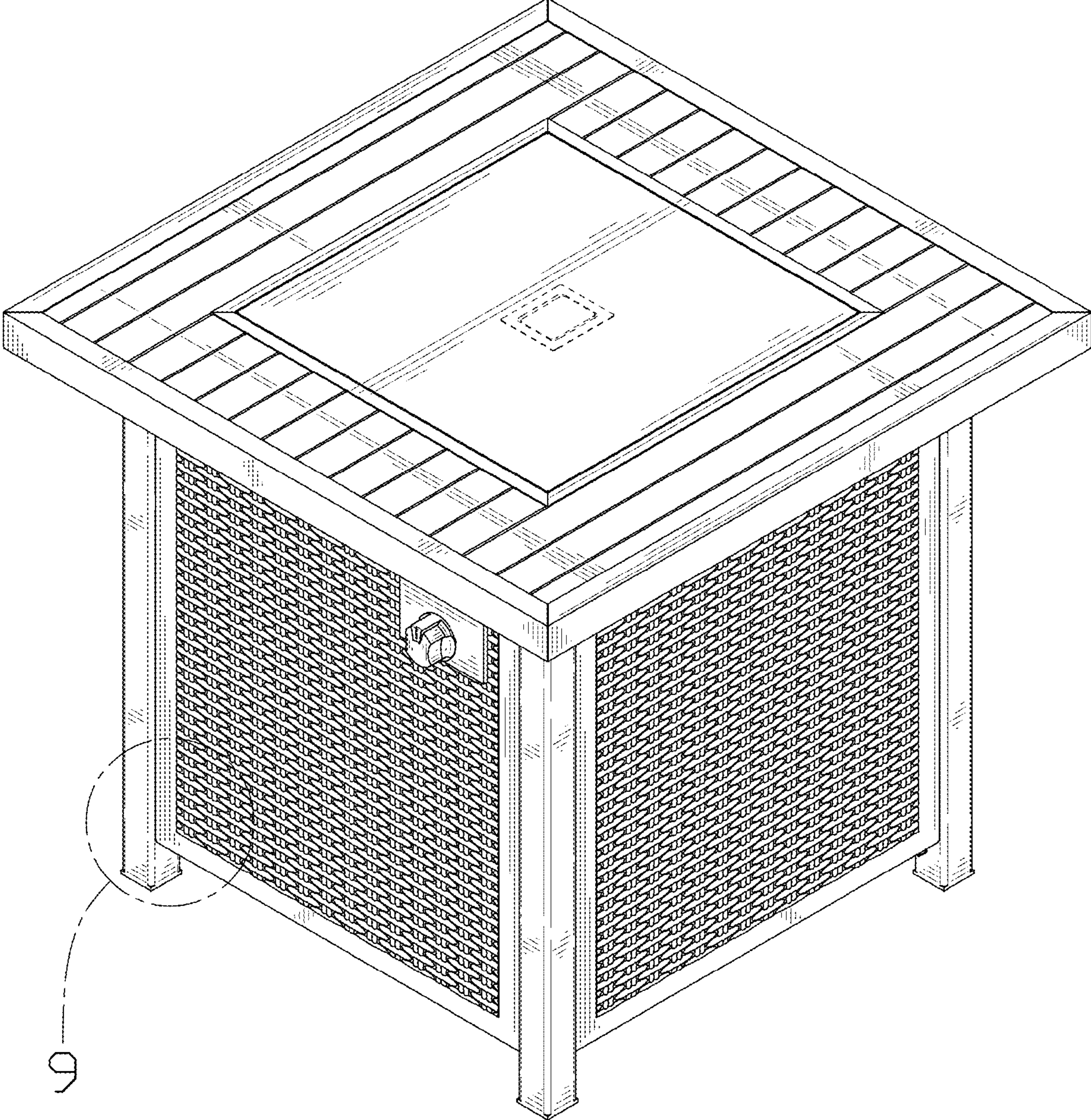


FIG. 1

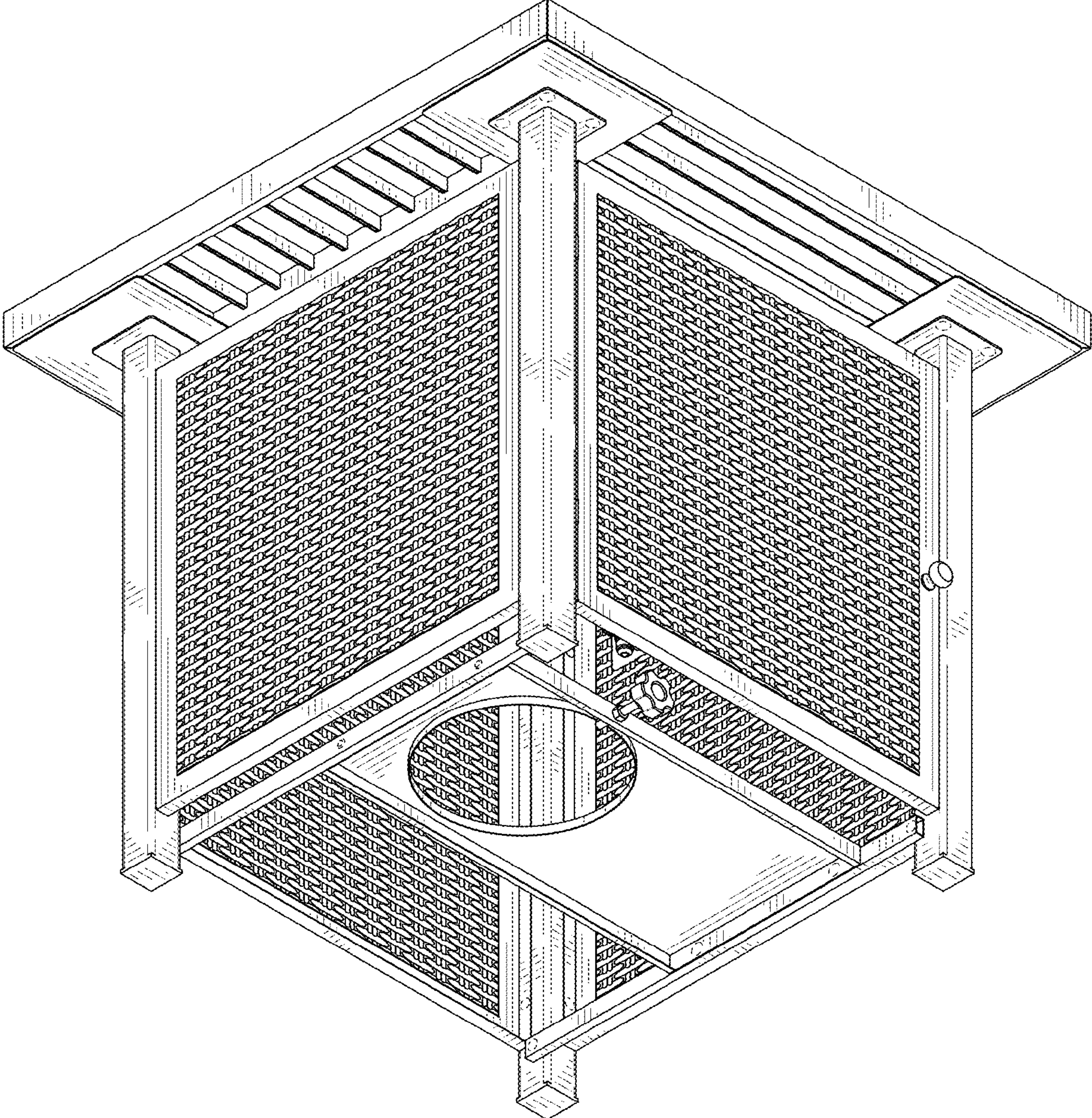


FIG. 2

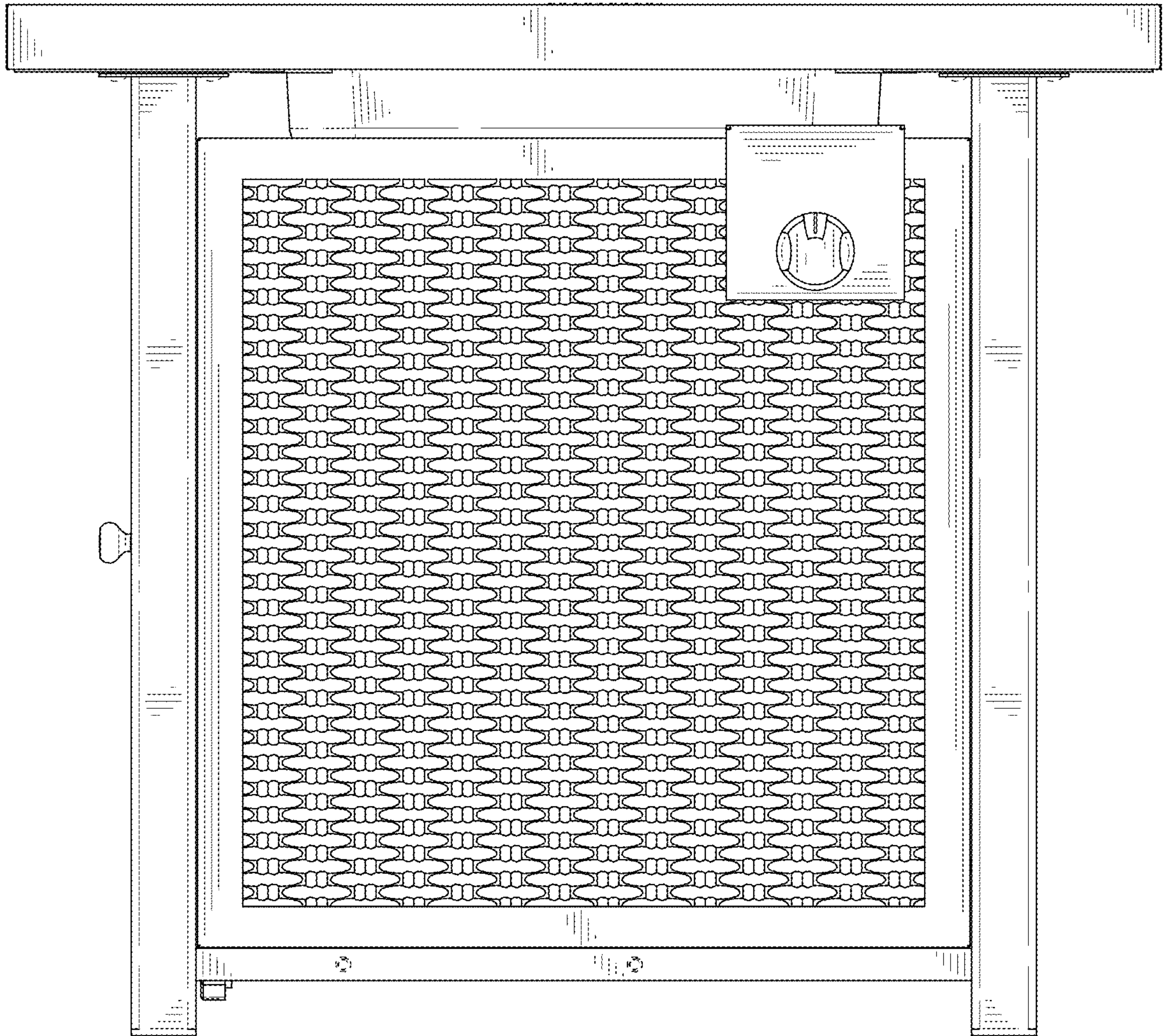


FIG. 3

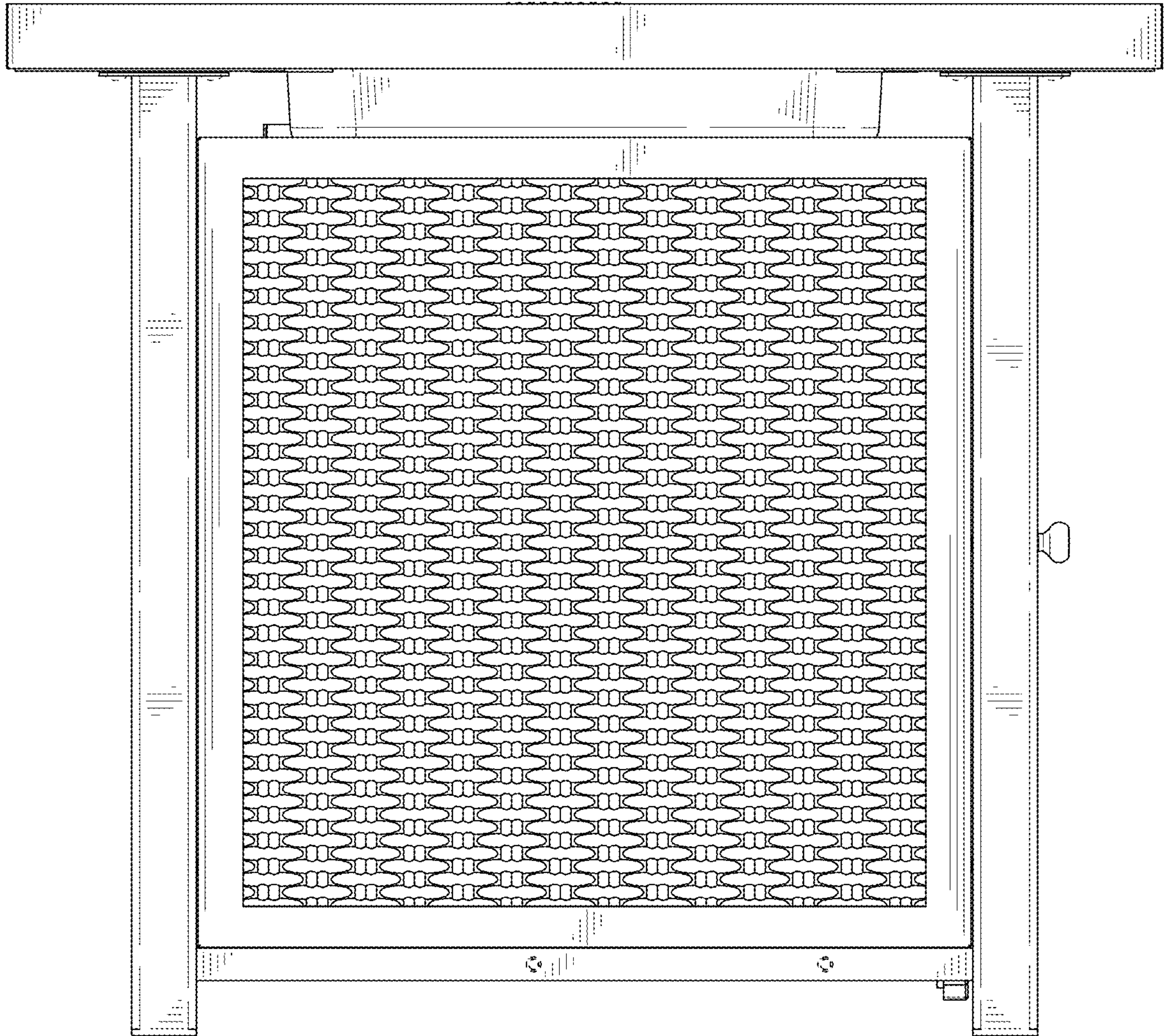


FIG. 4

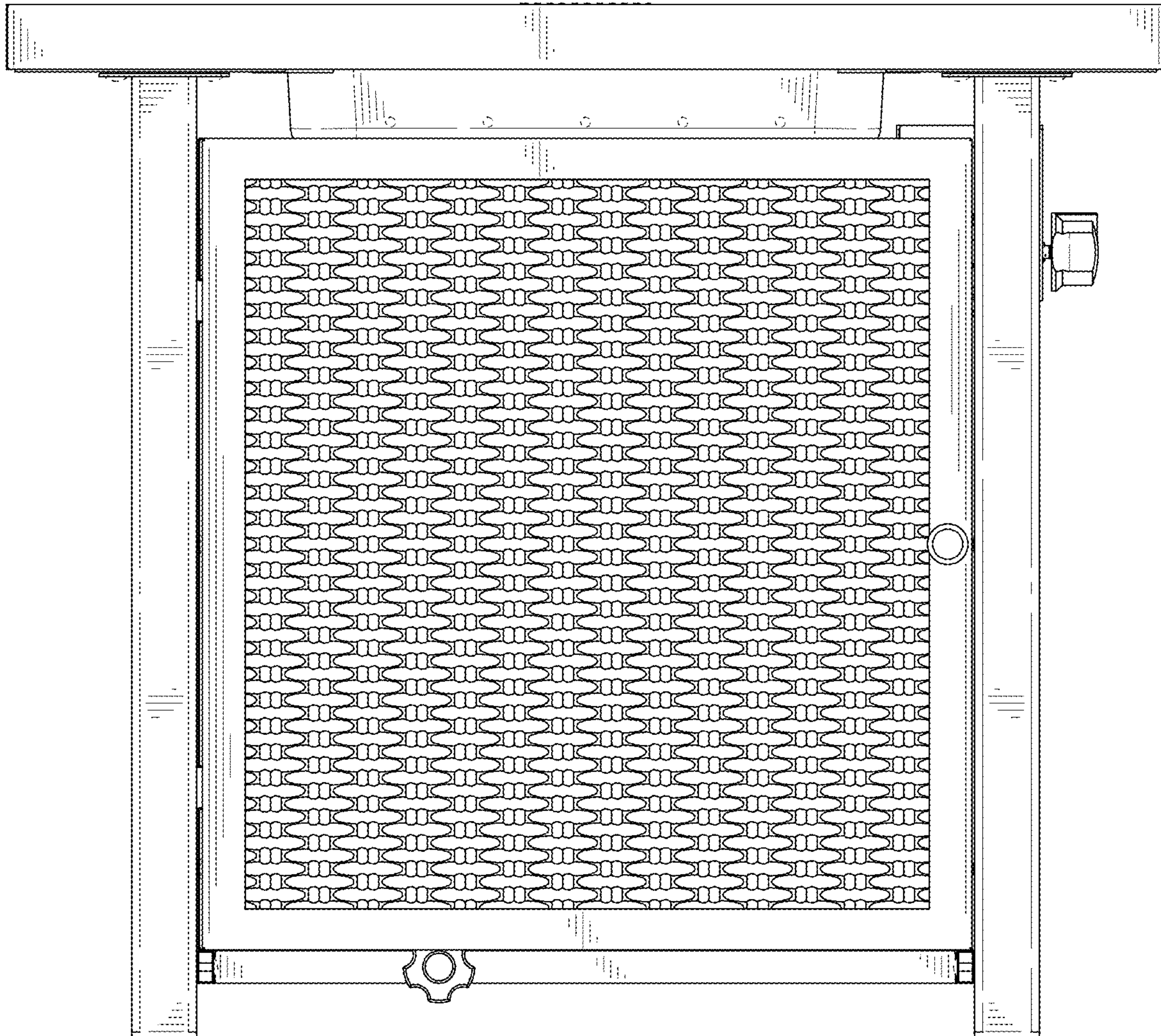


FIG. 5

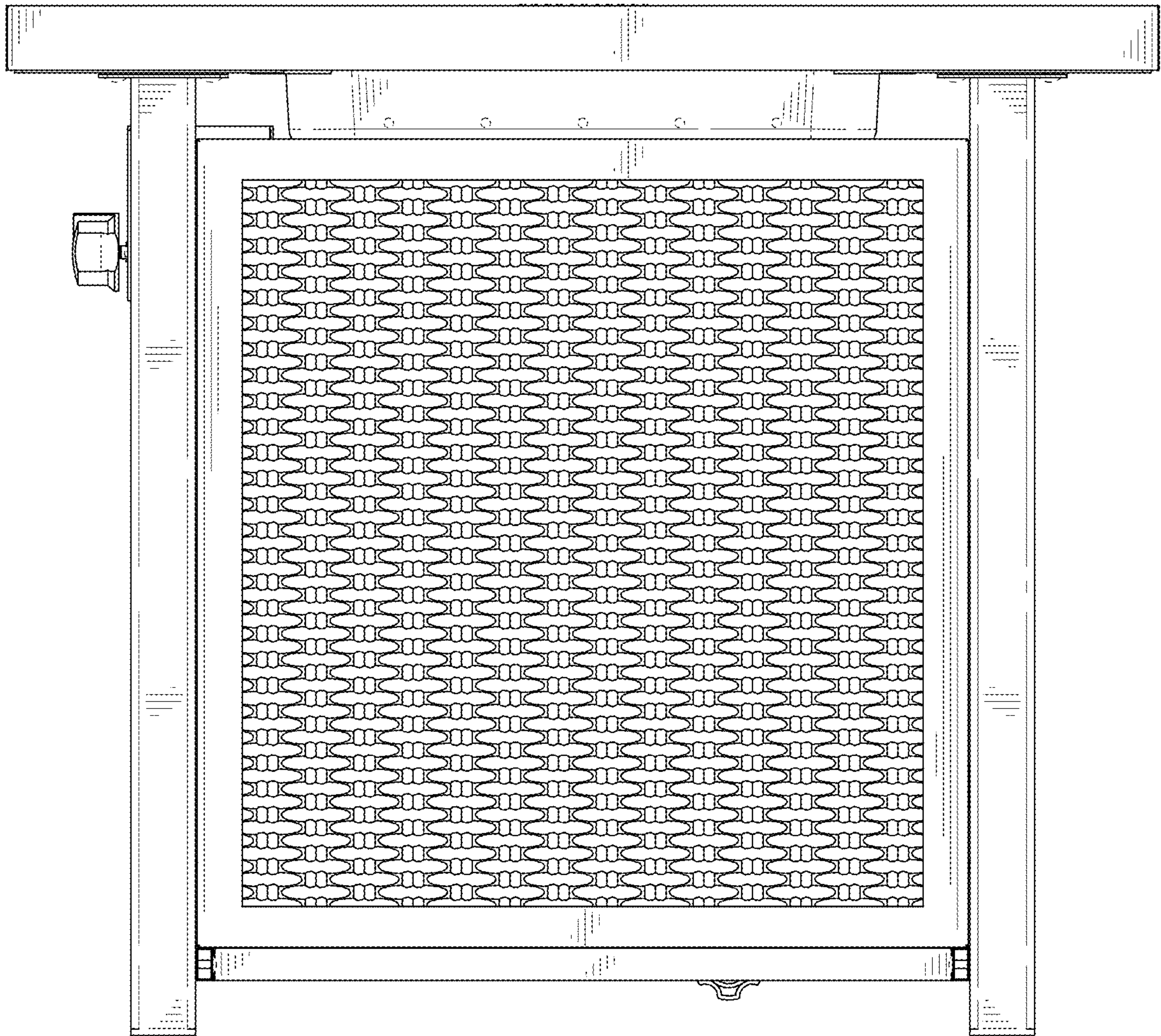


FIG. 6

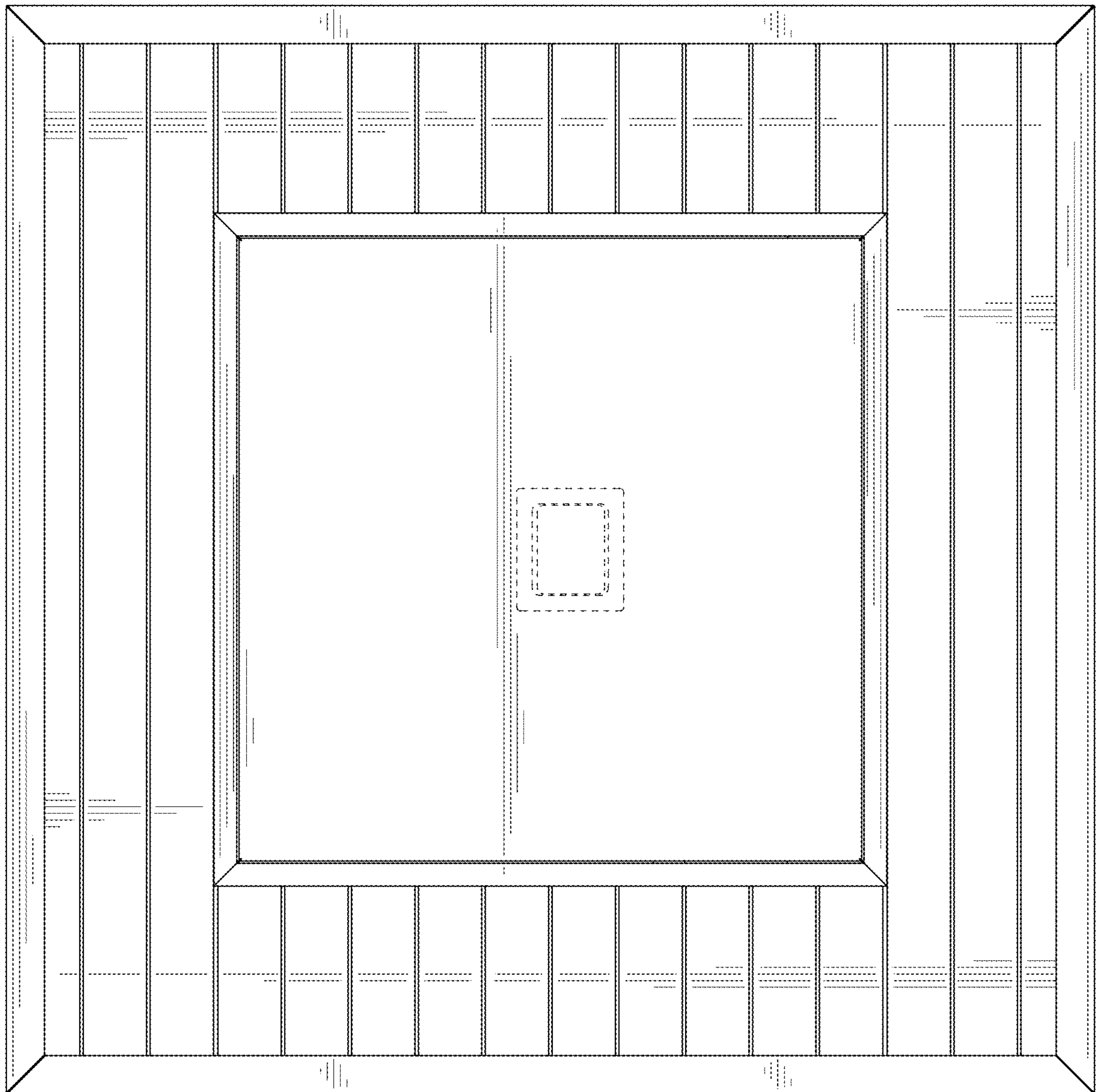


FIG. 7

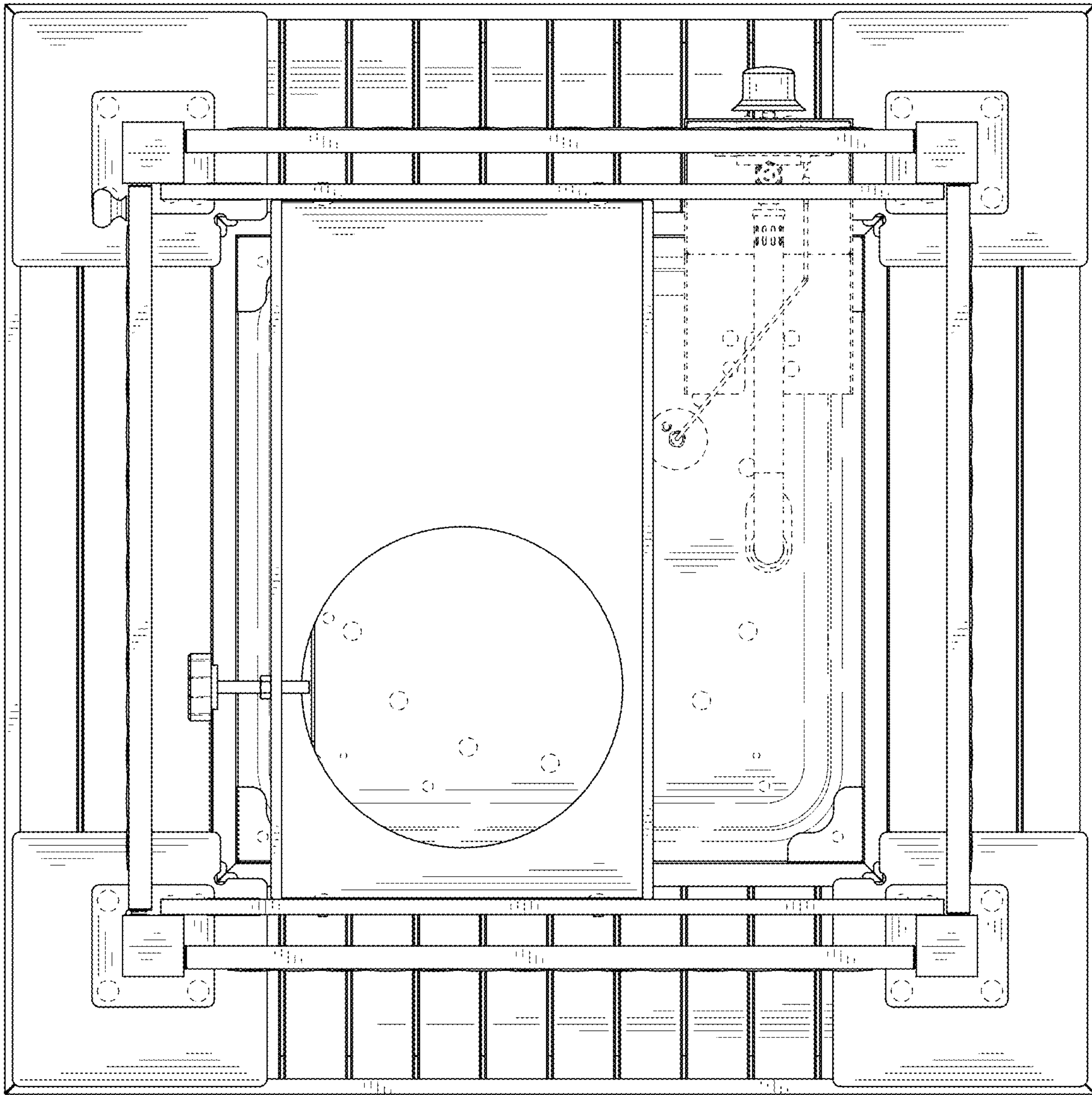


FIG. 8

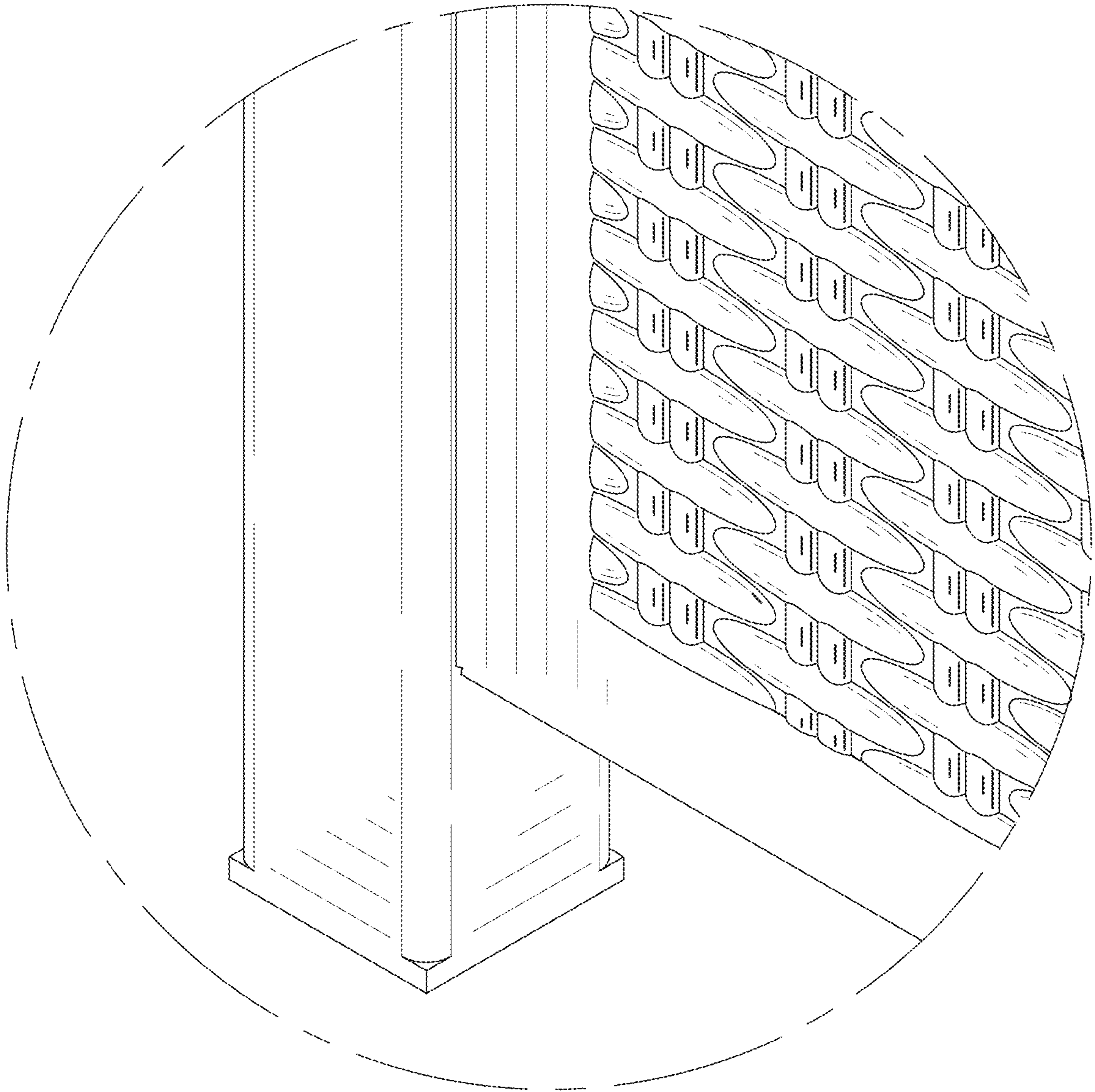


FIG. 9