



US00D919775S

(12) **United States Design Patent** (10) **Patent No.:** **US D919,775 S**
Kluss et al. (45) **Date of Patent:** **** May 18, 2021**

(54) **CONNECTOR**

(71) Applicant: **Reliance Worldwide Corporation,**
Atlanta, GA (US)

(72) Inventors: **William Vernon Kluss,** Woombye
(AU); **Eliana M. Pippen,** Atlanta, GA
(US)

(73) Assignee: **Reliance Worldwide Corporation,**
Atlanta, GA (US)

(**) Term: **15 Years**

(21) Appl. No.: **29/689,799**

(22) Filed: **May 1, 2019**

(51) **LOC (13) Cl.** **23-01**

(52) **U.S. Cl.**

USPC **D23/262;** D23/259

(58) **Field of Classification Search**

USPC D23/259–260, 262, 264–266, 249;
285/345, 377, 388, 390, 148.2, 148.14,
285/148.19, 148.21, 328, 921; 251/143,
251/146–148, 152

CPC F16L 11/00

See application file for complete search history.

(56) **References Cited**

U.S. PATENT DOCUMENTS

4,265,470	A *	5/1981	Danner	E21B 17/085 285/319
4,406,485	A *	9/1983	Giebeler	E21B 33/13 285/391
5,692,784	A	12/1997	Hama et al.		
D529,998	S *	10/2006	Mutou	D23/262
7,475,913	B2	1/2009	Muto		
D710,485	S *	8/2014	Nudo	D23/262
D722,362	S *	2/2015	Kluss	D23/235
D746,953	S *	1/2016	Gledhill	D23/259
9,228,681	B2	1/2016	Kluss		
D756,494	S *	5/2016	Gledhill	D23/262

9,777,875	B2 *	10/2017	Bobo	F16L 37/091
D823,442	S *	7/2018	Sugatani	D23/262
10,072,783	B2 *	9/2018	Gledhill	F16L 37/091
D830,522	S *	10/2018	Di Liberto	D23/259
D833,581	S *	11/2018	Atwell	D23/259
10,578,235	B2 *	3/2020	Graham	F16L 37/091
2002/0163181	A1	11/2002	Russell		
2002/0163191	A1	11/2002	Muenster et al.		
2003/0001385	A1	1/2003	Favre et al.		
2004/0245766	A1	12/2004	Vallee		
2007/0001454	A1	1/2007	Baving et al.		
2008/0136166	A1	6/2008	Guest		
2011/0025054	A1	2/2011	Kluss		

(Continued)

OTHER PUBLICATIONS

International Search Report and Written Opinion, PCT/US2019/
028772 (Jul. 25, 2019).

(Continued)

Primary Examiner — Amy C Wierenga

(74) *Attorney, Agent, or Firm* — Foley & Lardner LLP

(57)

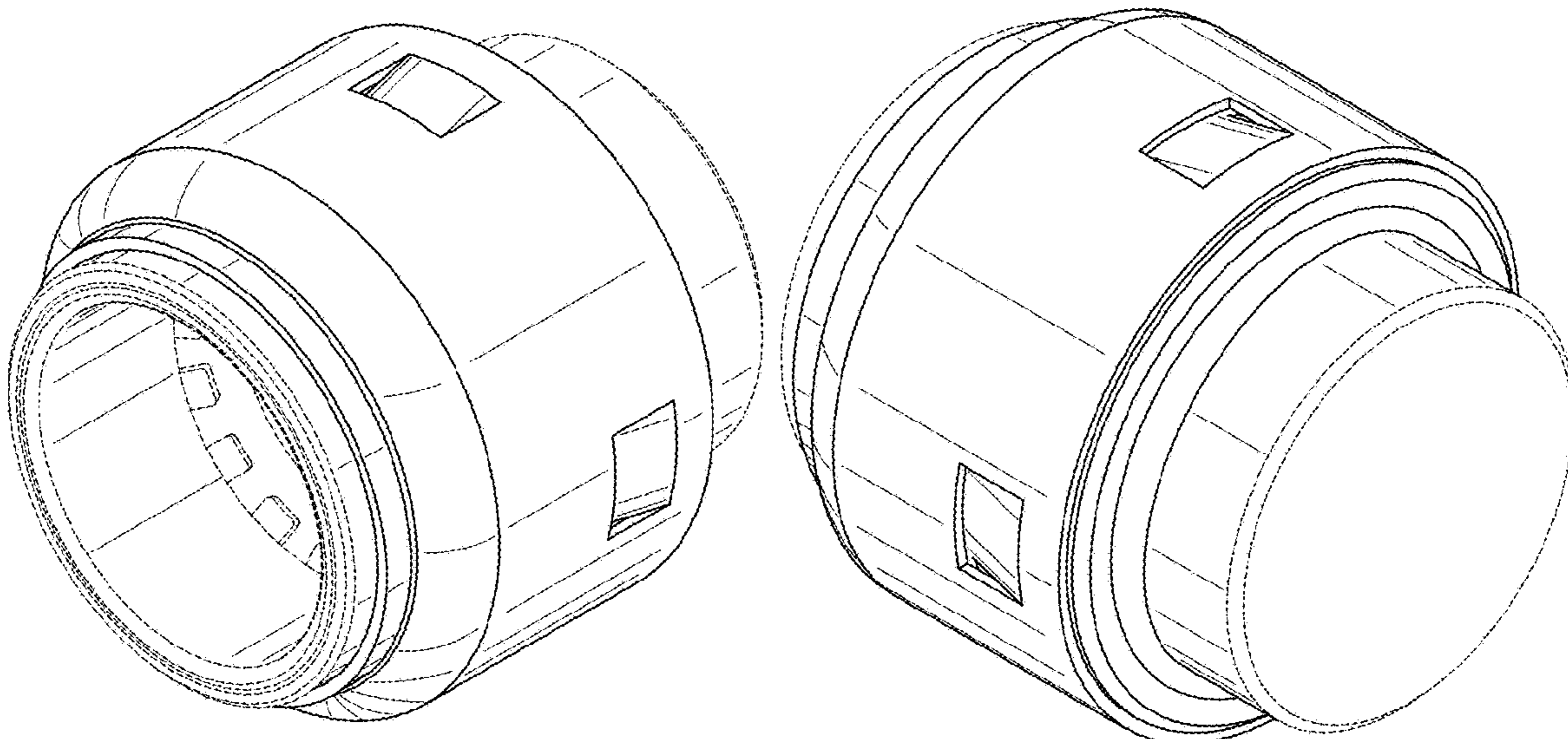
CLAIM

We claim the ornamental design for a connector, as shown
and described.

DESCRIPTION

FIG. 1 is a top view of the claimed design;
FIG. 2 is a bottom view thereof;
FIG. 3 is a left side view thereof;
FIG. 4 is a right side view thereof;
FIG. 5 is a front side view thereof;
FIG. 6 is a rear side view thereof;
FIG. 7 is a first front perspective view thereof;
FIG. 8 is a second front perspective view thereof; and,
FIG. 9 is a rear side perspective view thereof.
The broken lines shown in the drawings illustrate portions of
the connector that form no part of the claimed design.

1 Claim, 3 Drawing Sheets



(56)

References Cited

U.S. PATENT DOCUMENTS

2012/0096700 A1* 4/2012 Patterson F16L 21/08
29/428
2015/0159792 A1* 6/2015 Bobo F16L 37/091
285/308
2015/0240980 A1* 8/2015 Bobo F16L 37/0915
285/321

OTHER PUBLICATIONS

International Search Report and Written Opinion, PCT/US2019/025851 (Jun. 25, 2019).
U.S. Appl. No. 29/677,195, filed Jan. 17, 2019, Reliance Worldwide Corp.
U.S. Appl. No. 62/662,147, filed Apr. 24, 2018, Reliance Worldwide Corp.
U.S. Appl. No. 62/682,098, filed Jun. 7, 2018, Reliance Worldwide Corp.
U.S. Appl. No. 62/718,562, filed Aug. 14, 2018, Reliance Worldwide Corp.
PCT/US2019/025851, filed Apr. 4, 2019, Reliance Worldwide Corp.
PCT/US2019/028772, filed Apr. 23, 2019, Reliance Worldwide Corp.
U.S. Appl. No. 29/689,798, filed May 1, 2019, Reliance Worldwide Corp.
US Notice of Allowance on U.S. Appl. No. 29/689,798 dated Sep. 11, 2020 (5 pages).
US Notice of Allowance on U.S. Appl. No. 29/689,798 dated Sep. 23, 2020 (5 pages).
US Office Action on U.S. Appl. No. 29/689,798 dated Jun. 24, 2020 (7 pages).

* cited by examiner

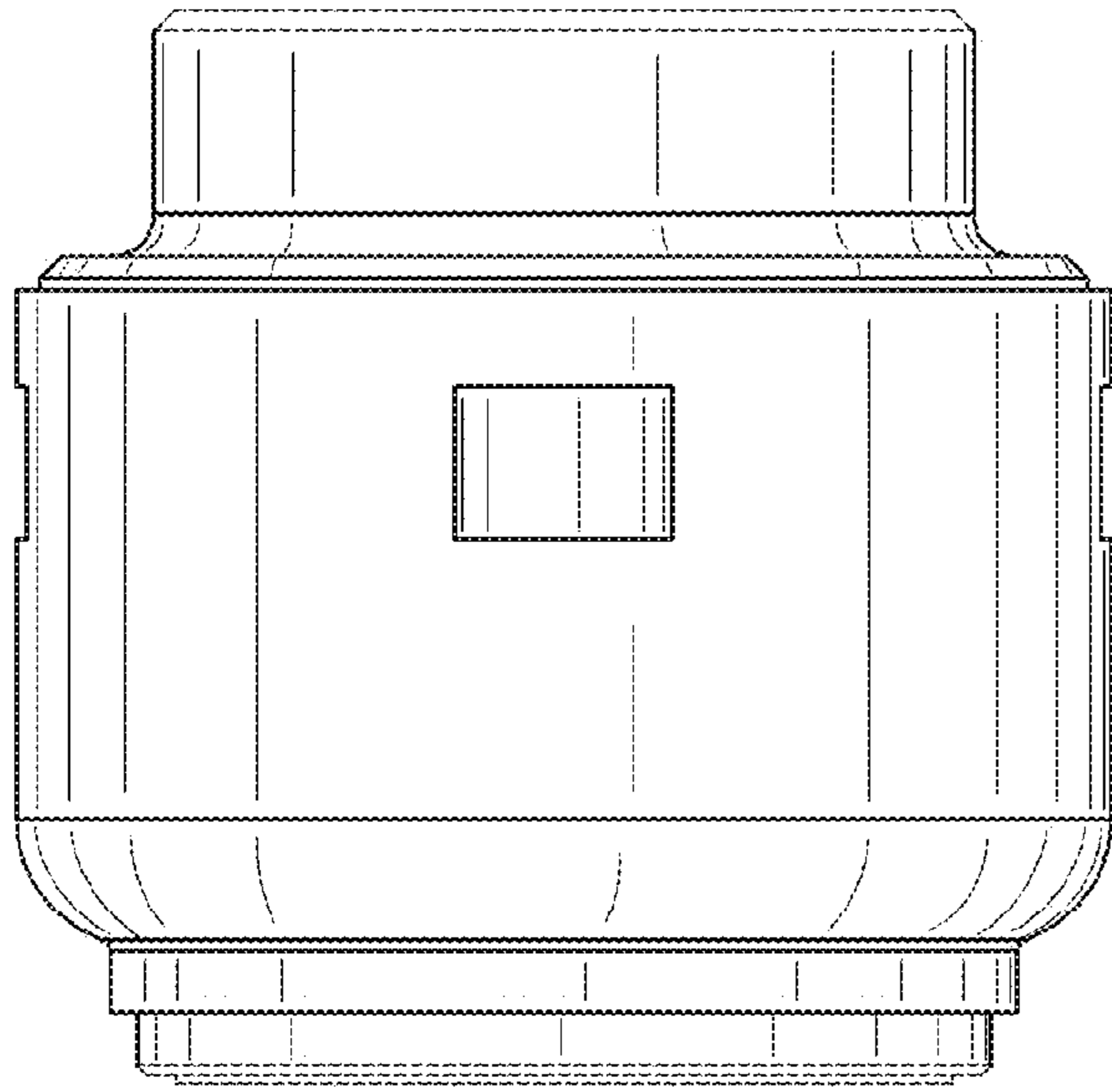


Fig. 1

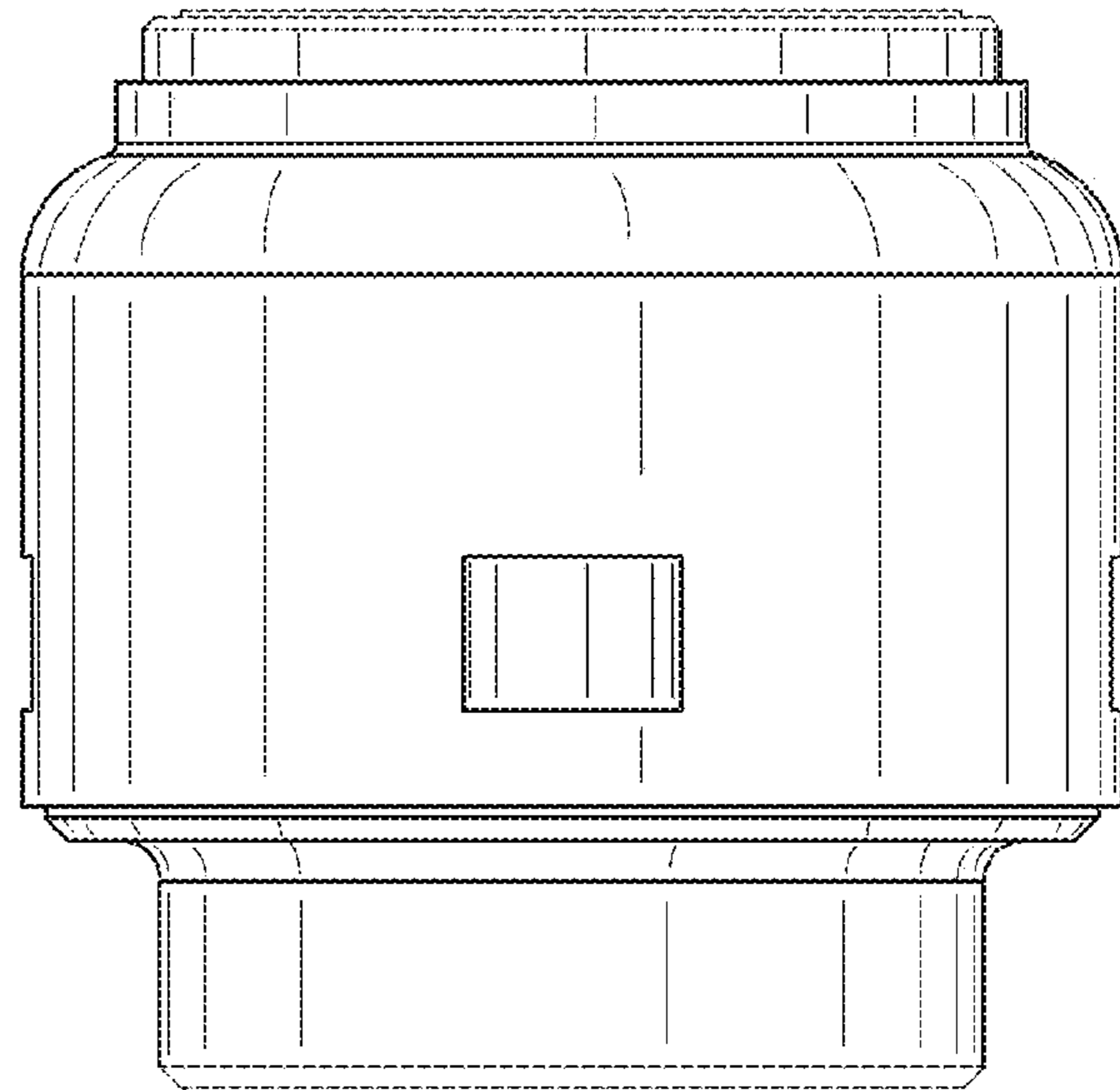


Fig. 3

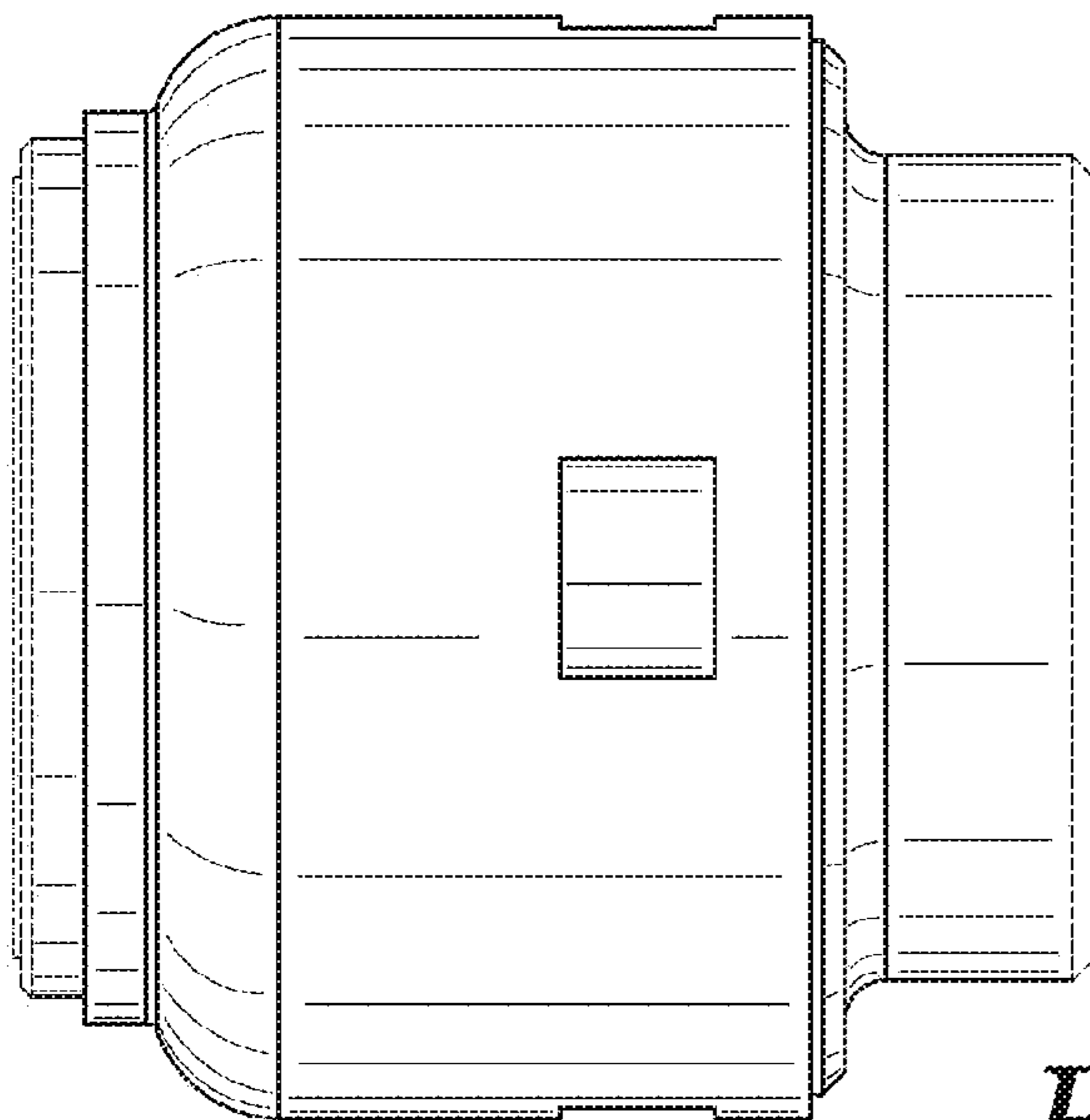


Fig. 2

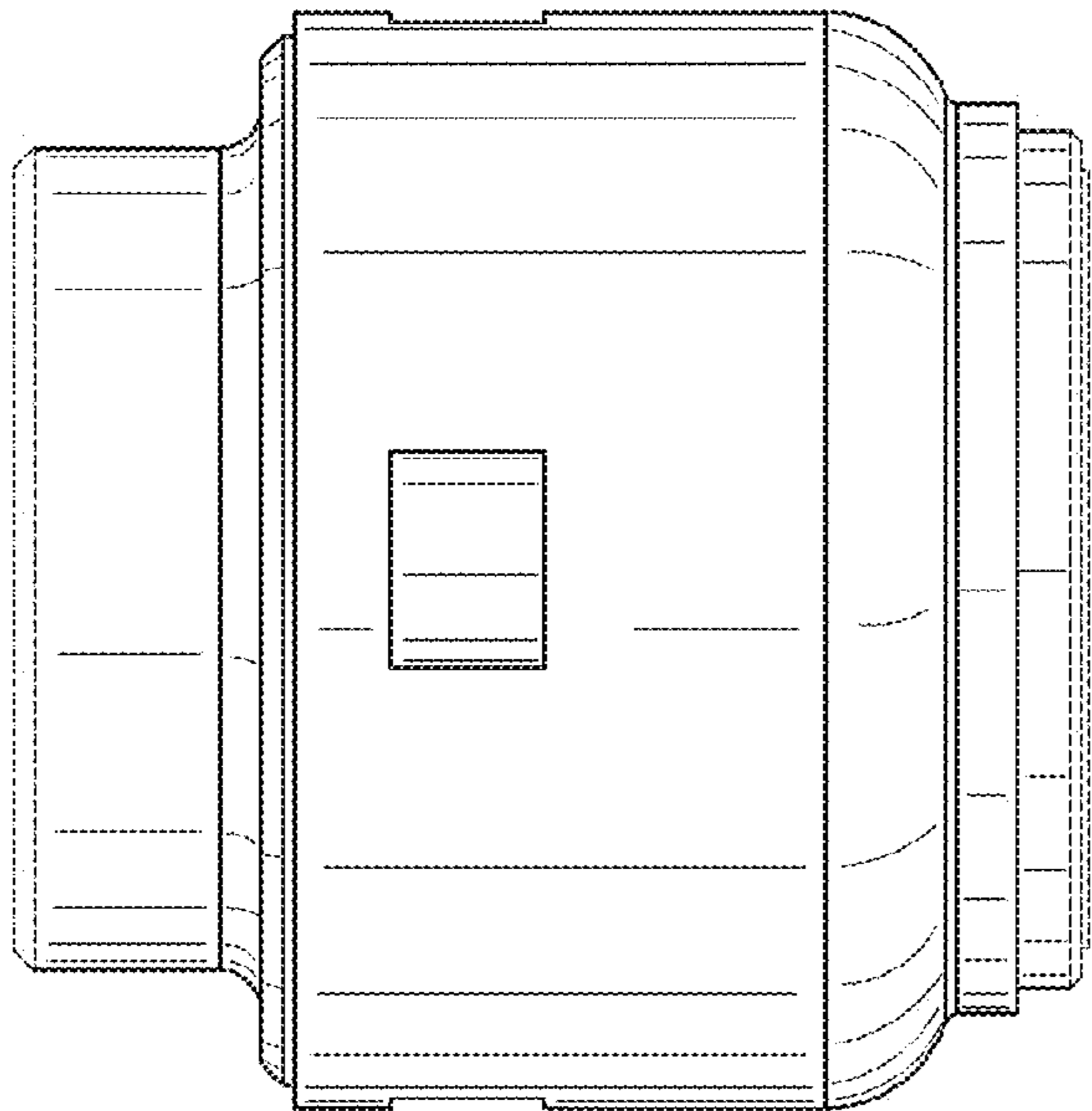


Fig. 4

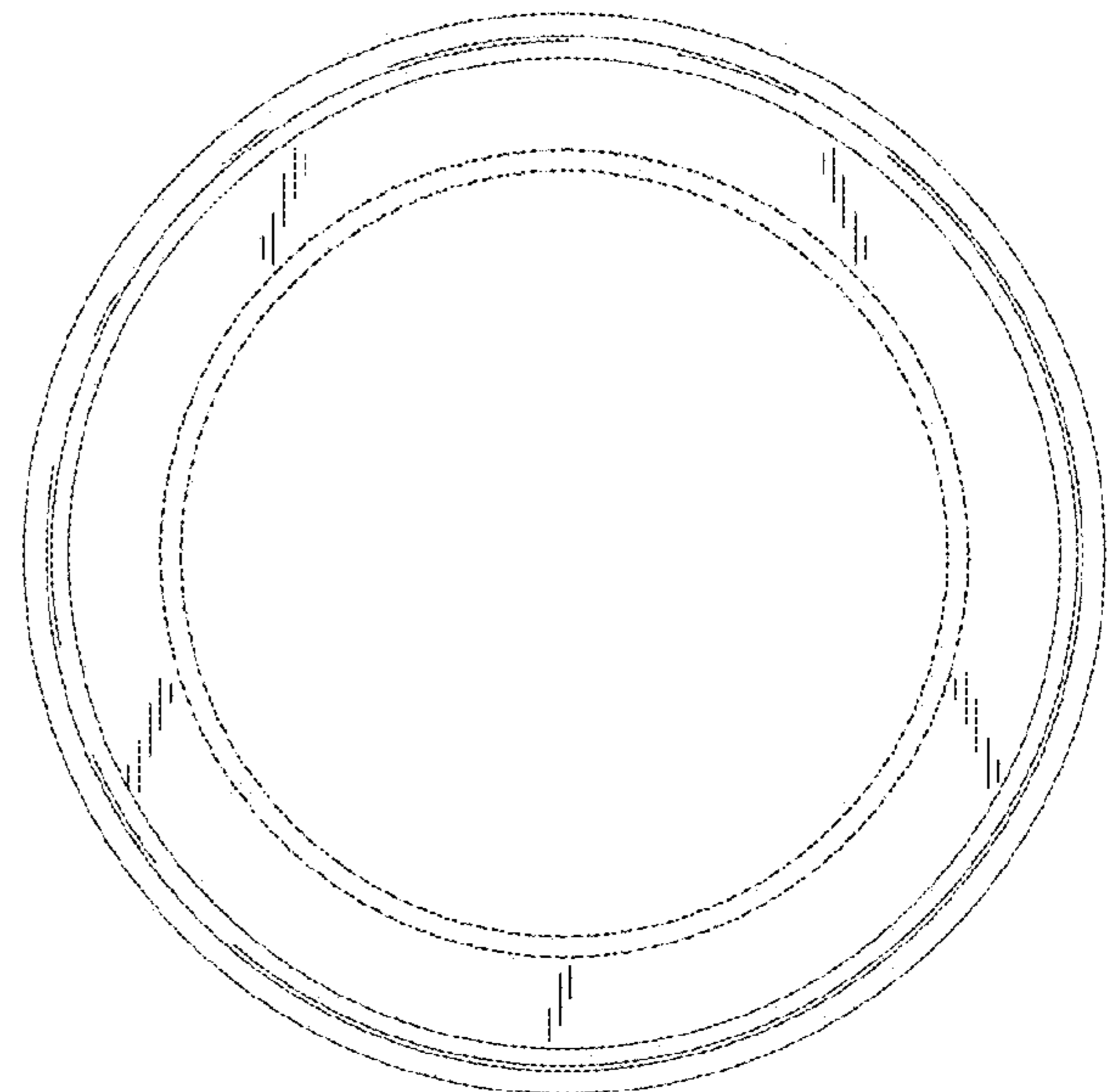


Fig. 6

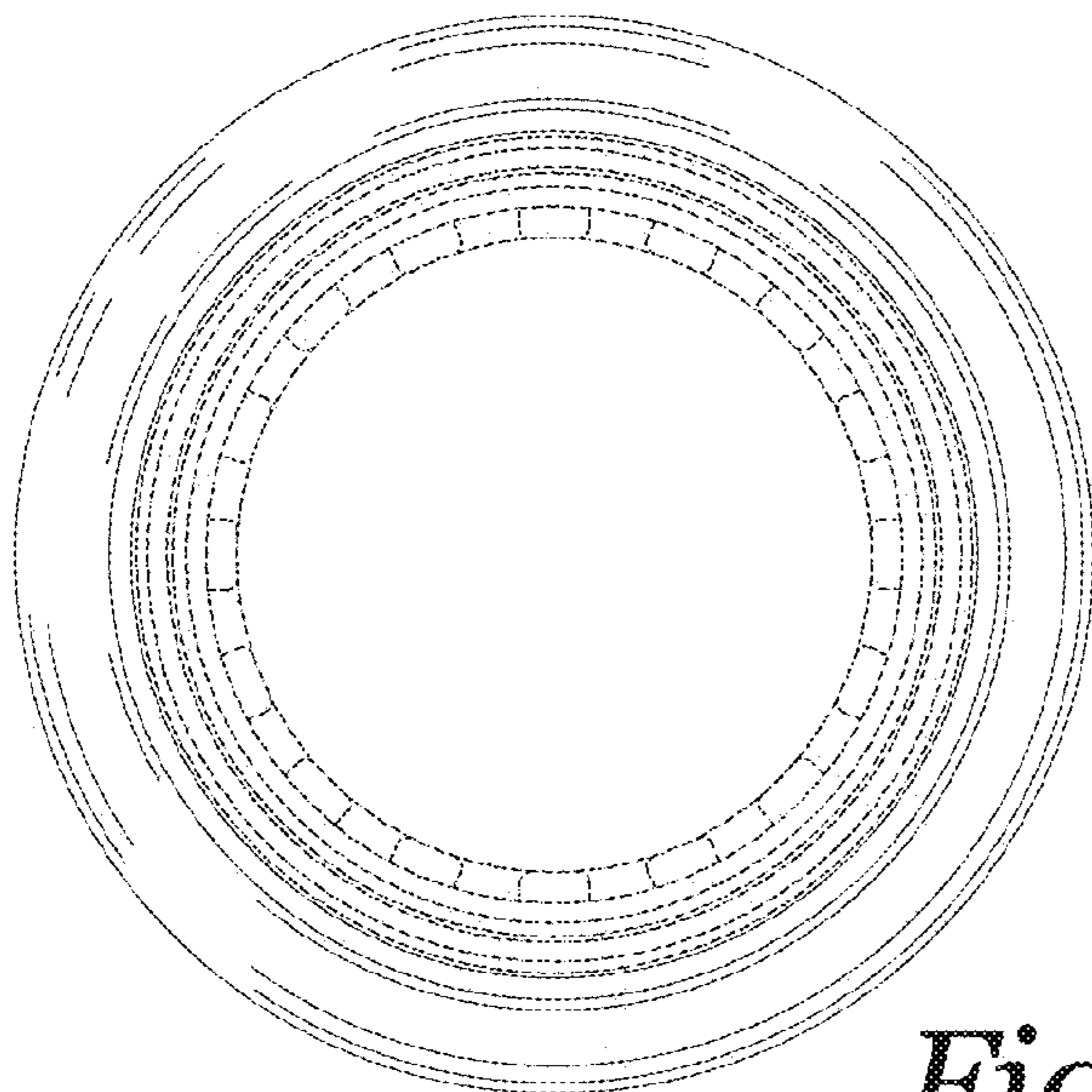


Fig. 5

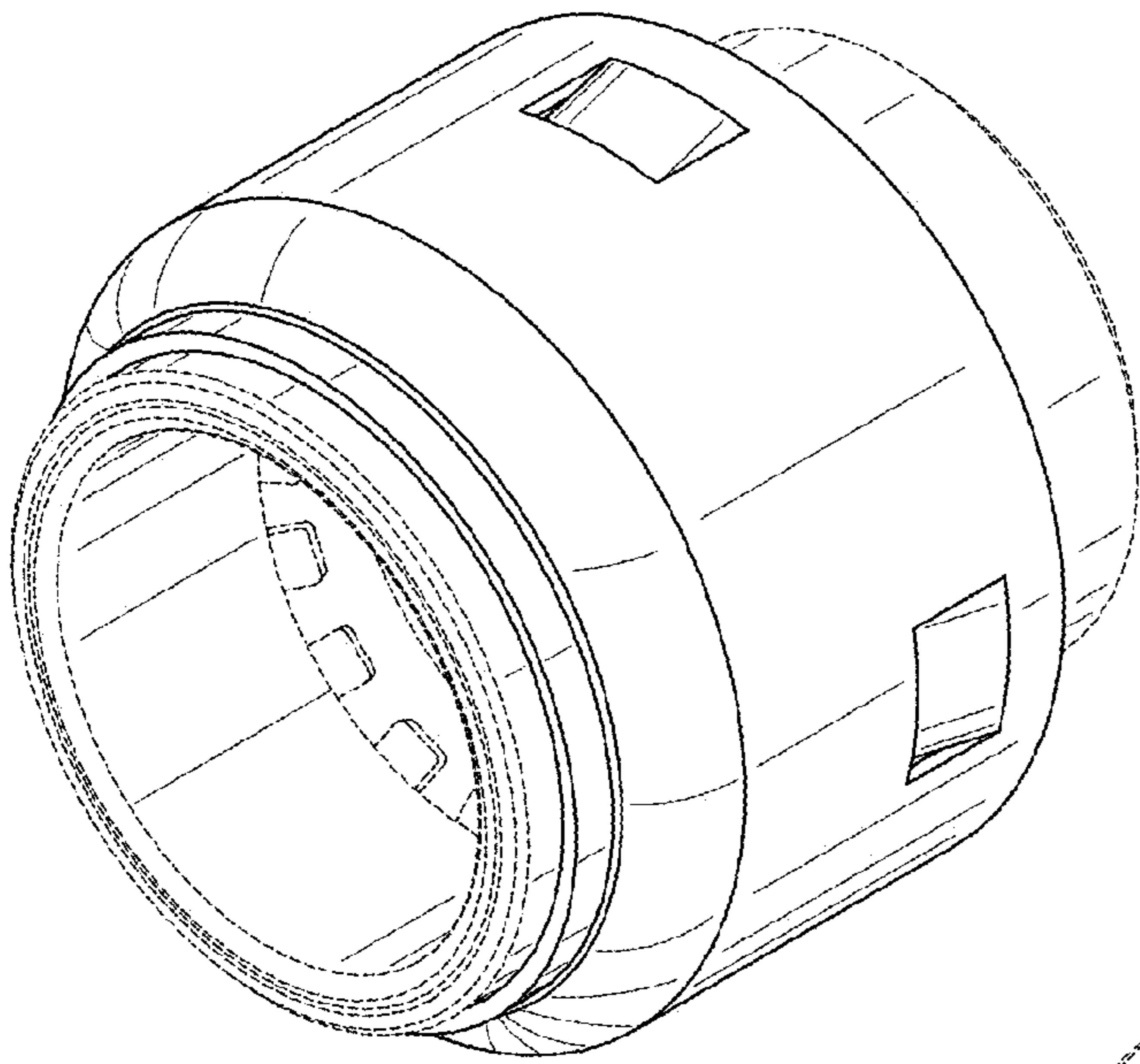


Fig. 7

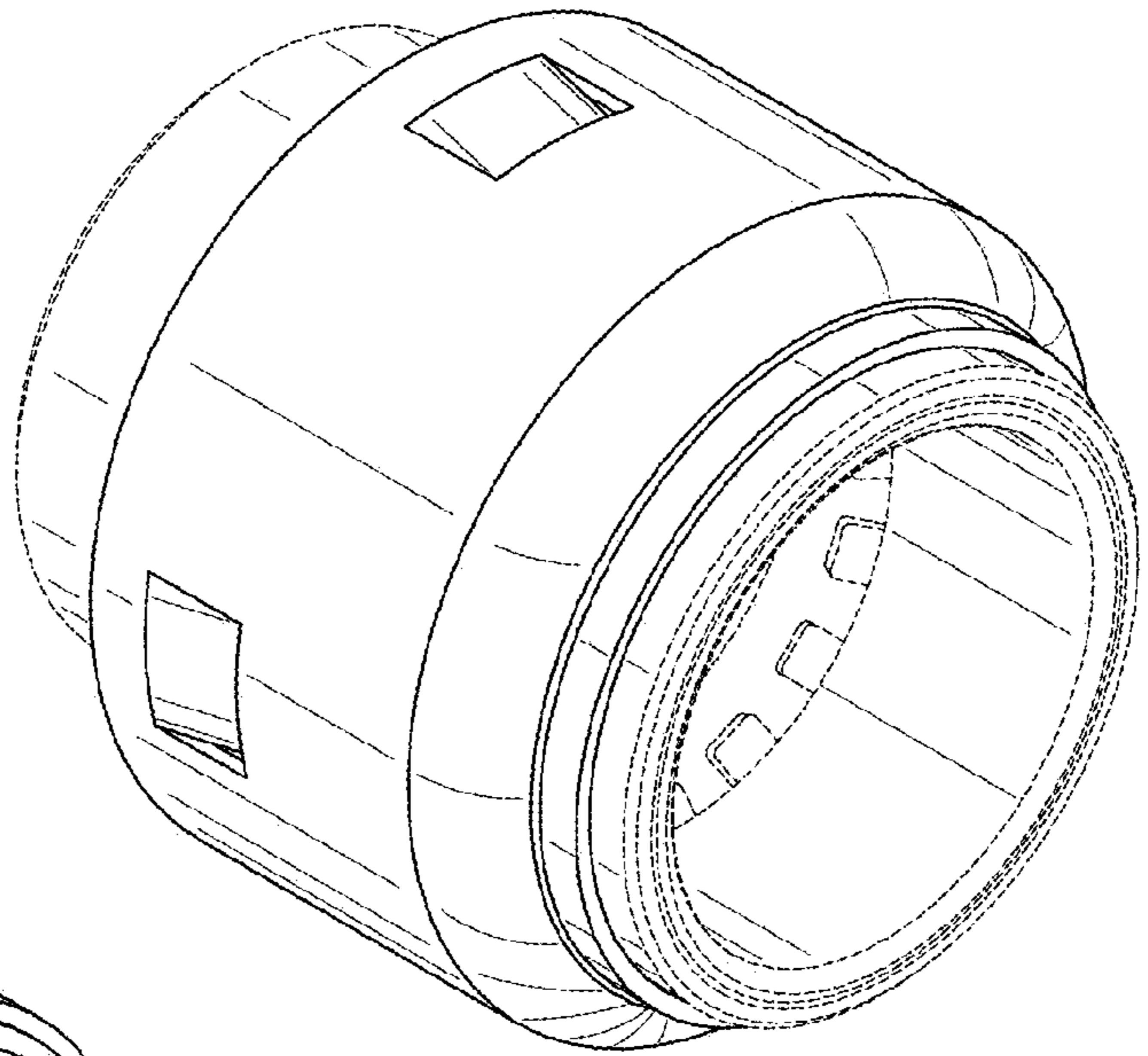


Fig. 8

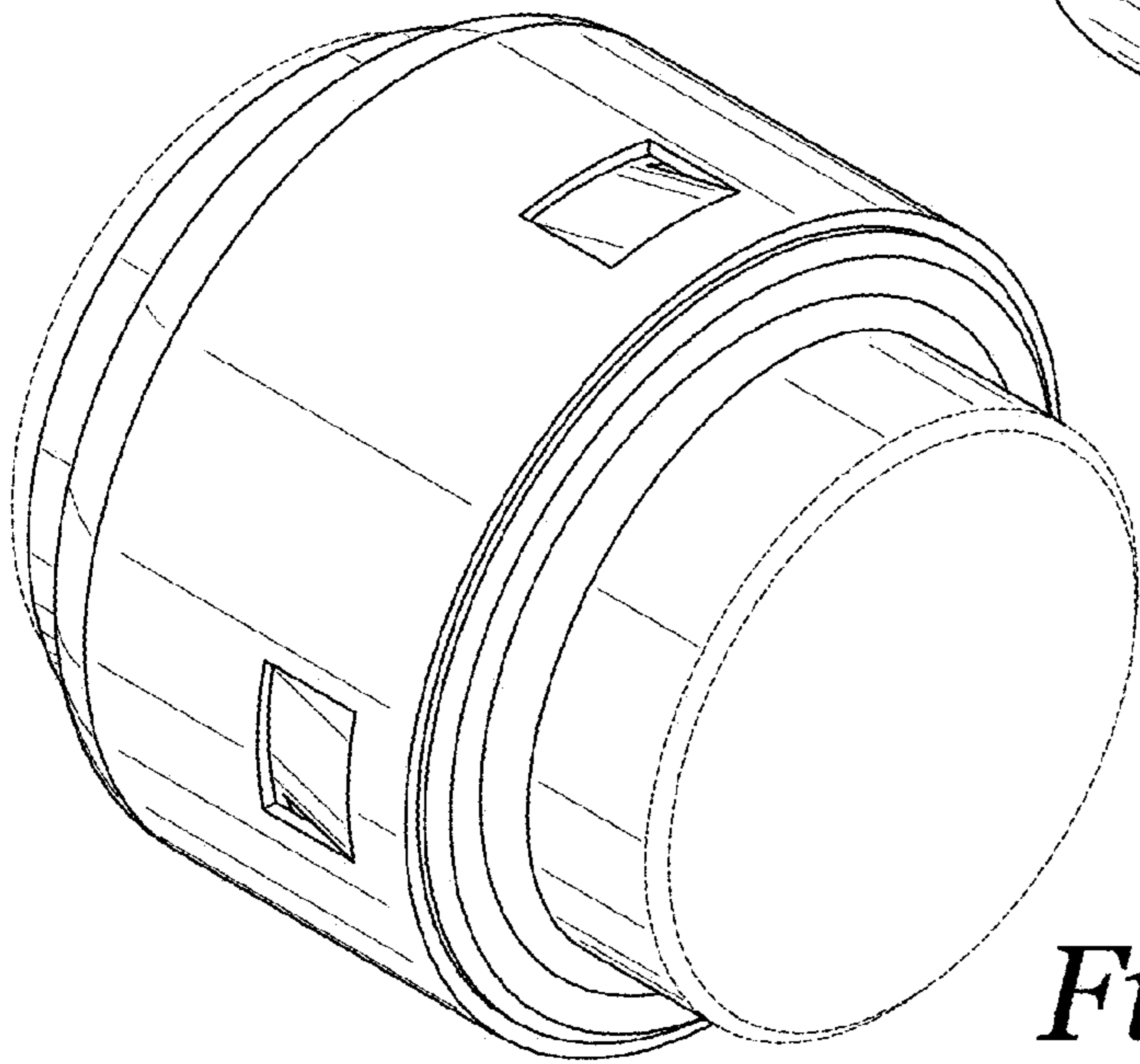


Fig. 9