



US00D919773S

(12) **United States Design Patent**
Luo

(10) **Patent No.:** **US D919,773 S**

(45) **Date of Patent:** **** *May 18, 2021**

- (54) **SINK FILTER DEVICE**
- (71) Applicant: **Taizhou Luobang Sanitary Ware MFG Co., Ltd., Zhejiang (CN)**
- (72) Inventor: **Changfu Luo, Zhejiang (CN)**
- (73) Assignee: **TAIZHOU LUOBANG SANITARY WARE MFG CO, LTD., Zhejiang (CN)**
- (*) Notice: This patent is subject to a terminal disclaimer.
- (**) Term: **15 Years**
- (21) Appl. No.: **29/618,210**
- (22) Filed: **Sep. 20, 2017**
- (51) **LOC (13) Cl.** **23-01**
- (52) **U.S. Cl.**
USPC **D23/261**
- (58) **Field of Classification Search**
USPC D23/259–261; 4/679, 681, 489, 496;
251/215, 216; 285/58, 291.1, 291.2
CPC ... E03C 1/26; E03C 1/264; E03C 1/28; E03C
1/262
See application file for complete search history.

- (56) **References Cited**
U.S. PATENT DOCUMENTS
3,800,339 A * 4/1974 Bergin E03C 1/264
4/287
3,911,508 A * 10/1975 Goldberg E03C 1/264
4/287
4,571,751 A * 2/1986 Barlow E03C 1/262
4/288

- D517,664 S * 3/2006 Hill D23/261
7,013,500 B1 * 3/2006 Lin E03C 1/262
4/287
- D677,764 S * 3/2013 Laera D23/260
- D725,751 S * 3/2015 Luo D23/260
- D728,077 S * 4/2015 Luo D23/260
- D745,642 S * 12/2015 Luo D23/260
- D783,782 S * 4/2017 Scott D23/261
- 2003/0182721 A1 * 10/2003 Li E03C 1/262
4/287
- 2007/0180602 A1 * 8/2007 Lin E03C 1/23
4/287
- 2014/0053328 A1 * 2/2014 Chen E03C 1/262
4/287
- 2014/0075662 A1 * 3/2014 Gayoso E03C 1/262
4/287

* cited by examiner

Primary Examiner — Amy C Wierenga

(74) *Attorney, Agent, or Firm* — Bacon & Thomas, PLLC

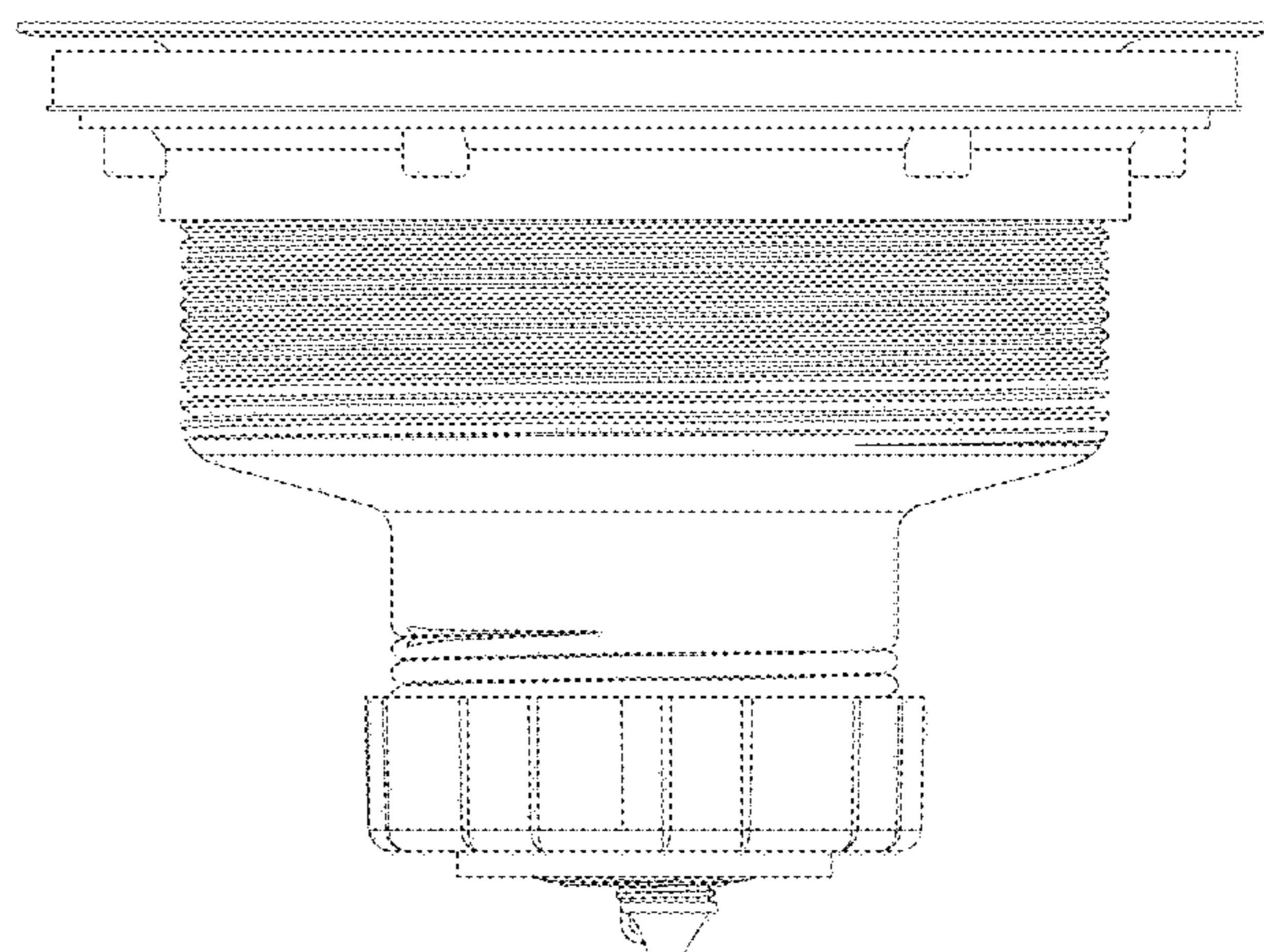
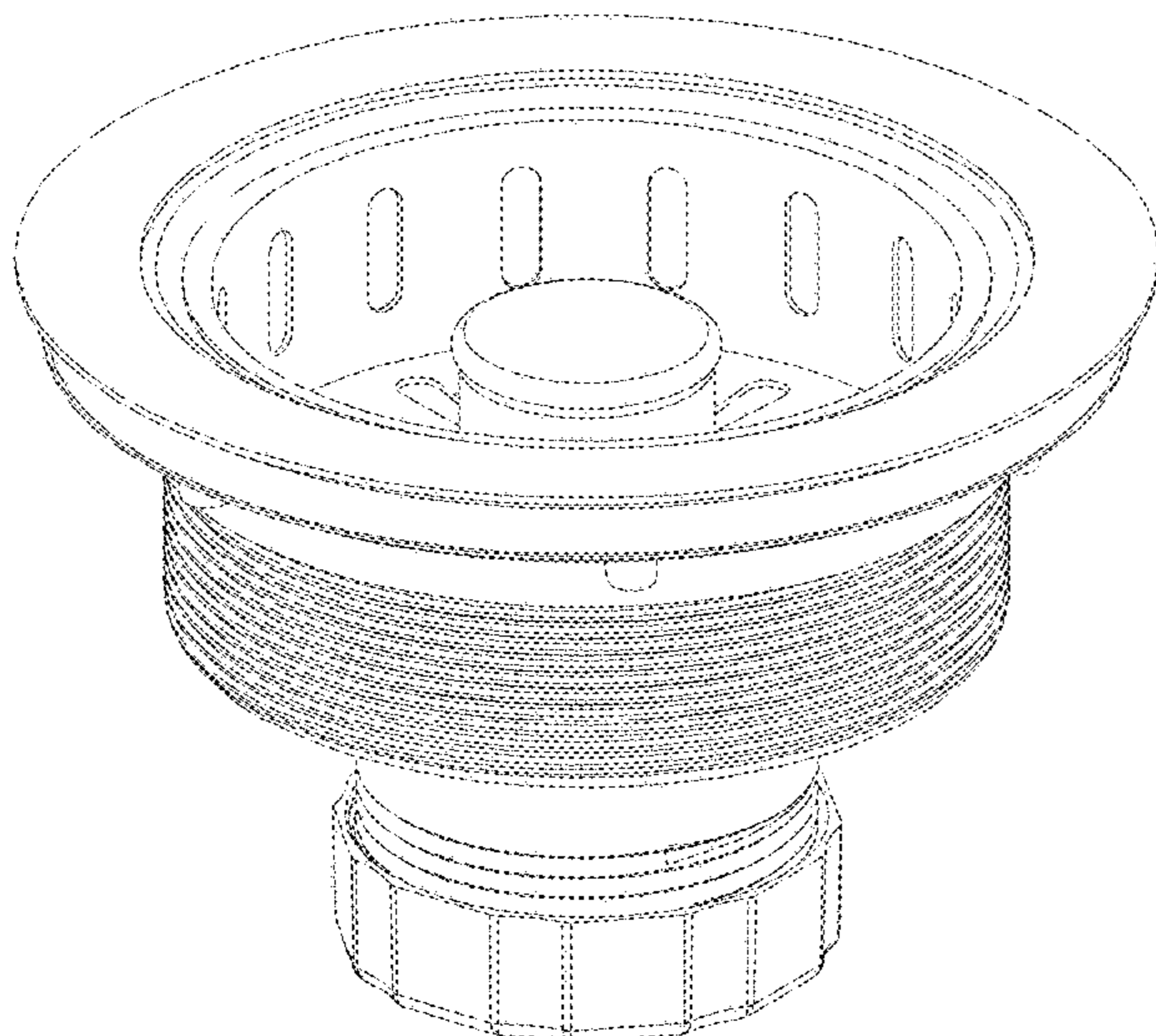
(57) **CLAIM**

The ornamental design for a sink filter device, as shown and described.

DESCRIPTION

FIG. 1 is a front side perspective view of a sink filter device showing my new design;
 FIG. 2 is a front elevational view thereof;
 FIG. 3 is a rear elevational view thereof;
 FIG. 4 is a left side elevational view thereof;
 FIG. 5 is a right side elevational view thereof;
 FIG. 6 is a top plan view thereof;
 FIG. 7 is a bottom plan view thereof; and,
 FIG. 8 is another side perspective view thereof.
 The dashed broken lines depict portions of the sink filter device that form no part of the claim.

1 Claim, 5 Drawing Sheets



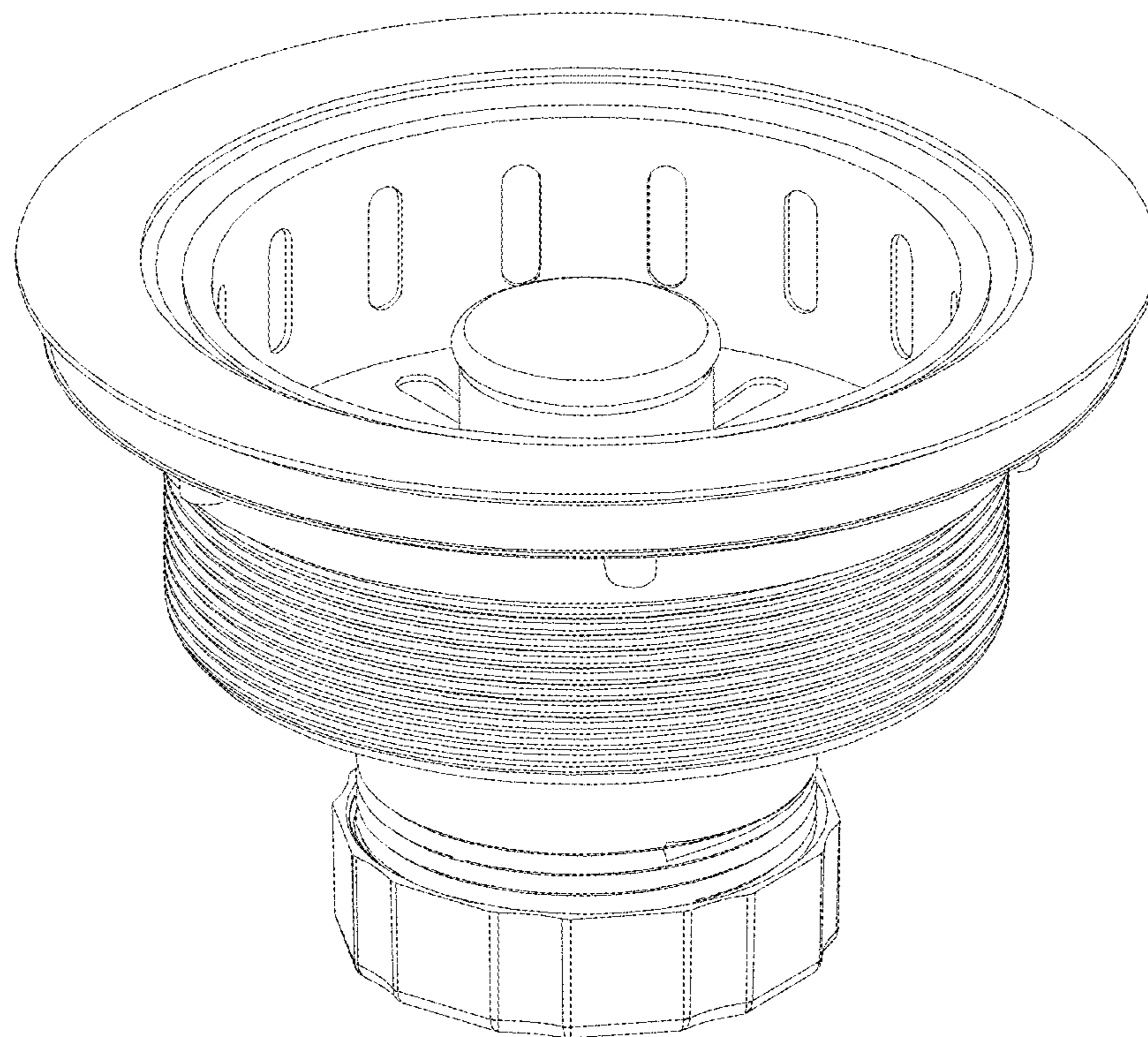


Fig. 1

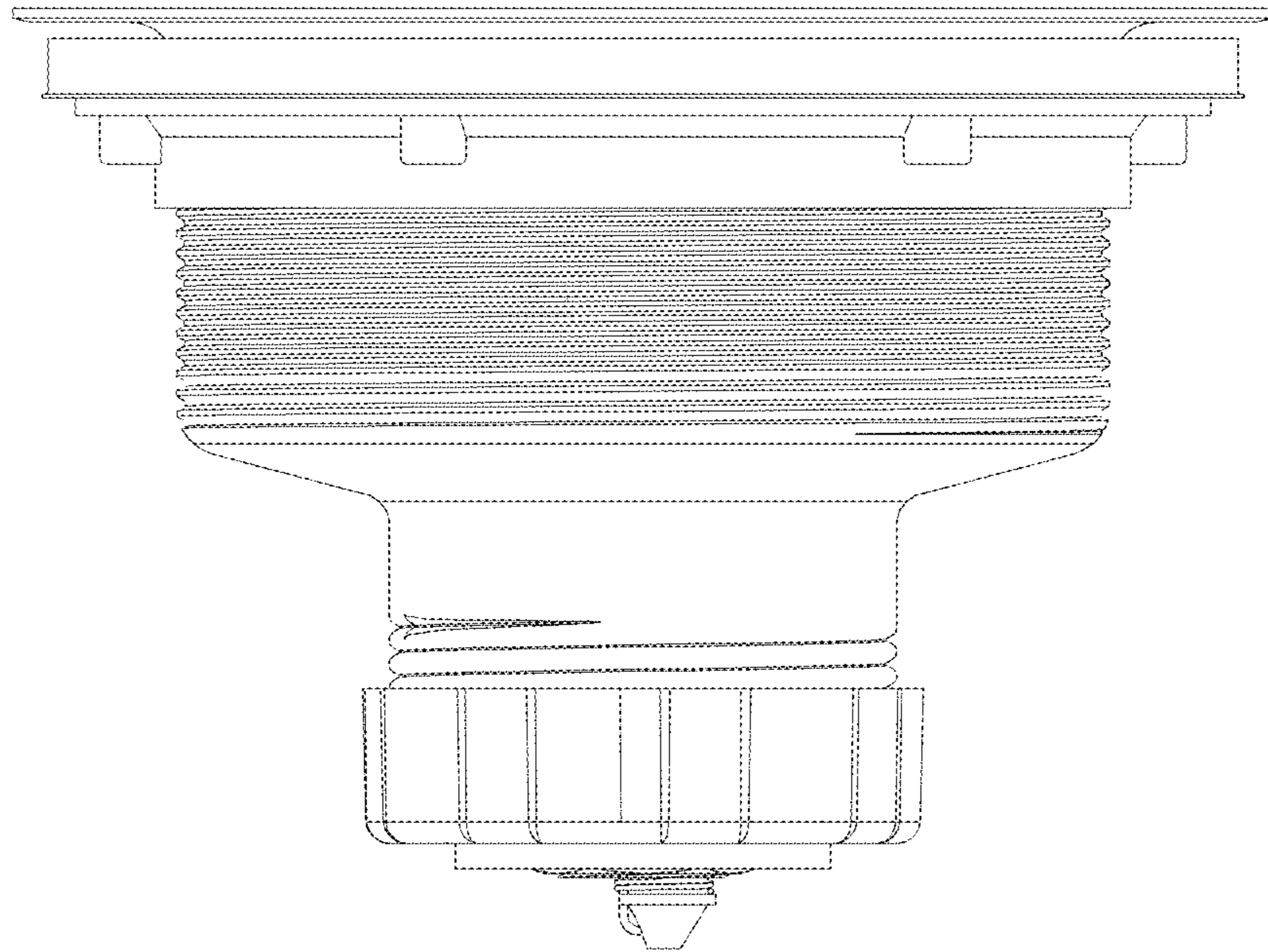


Fig. 2

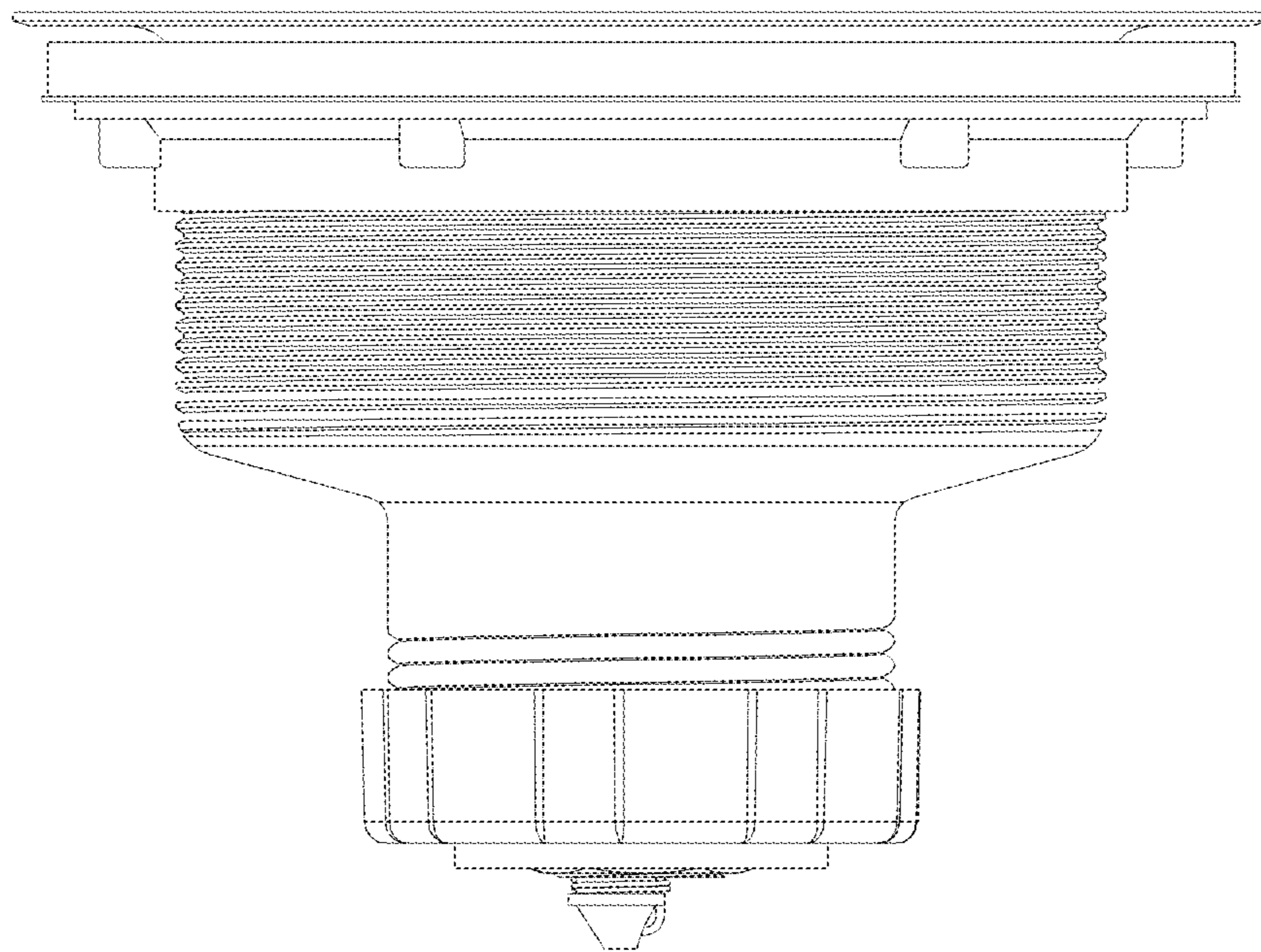


Fig. 3

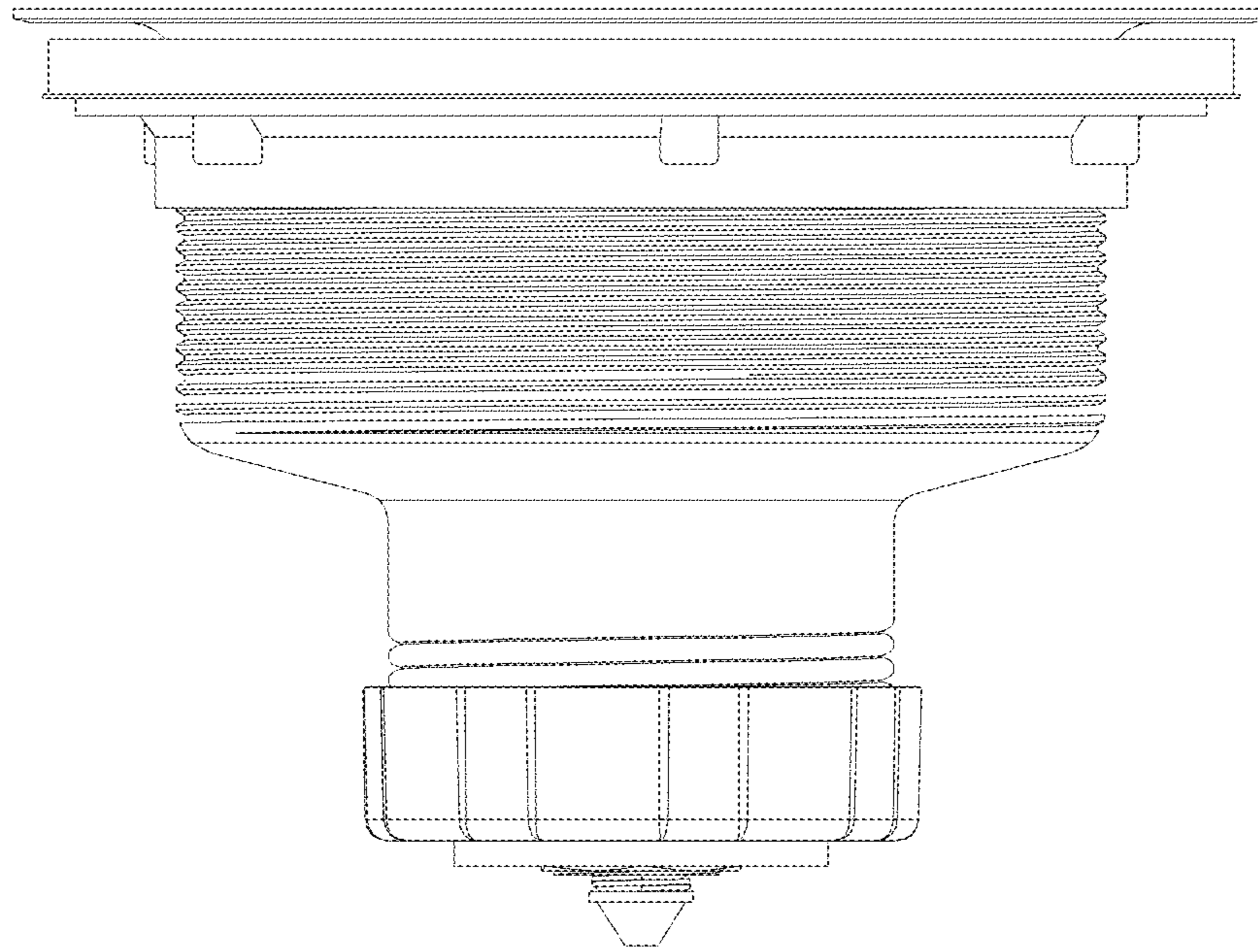


Fig. 4

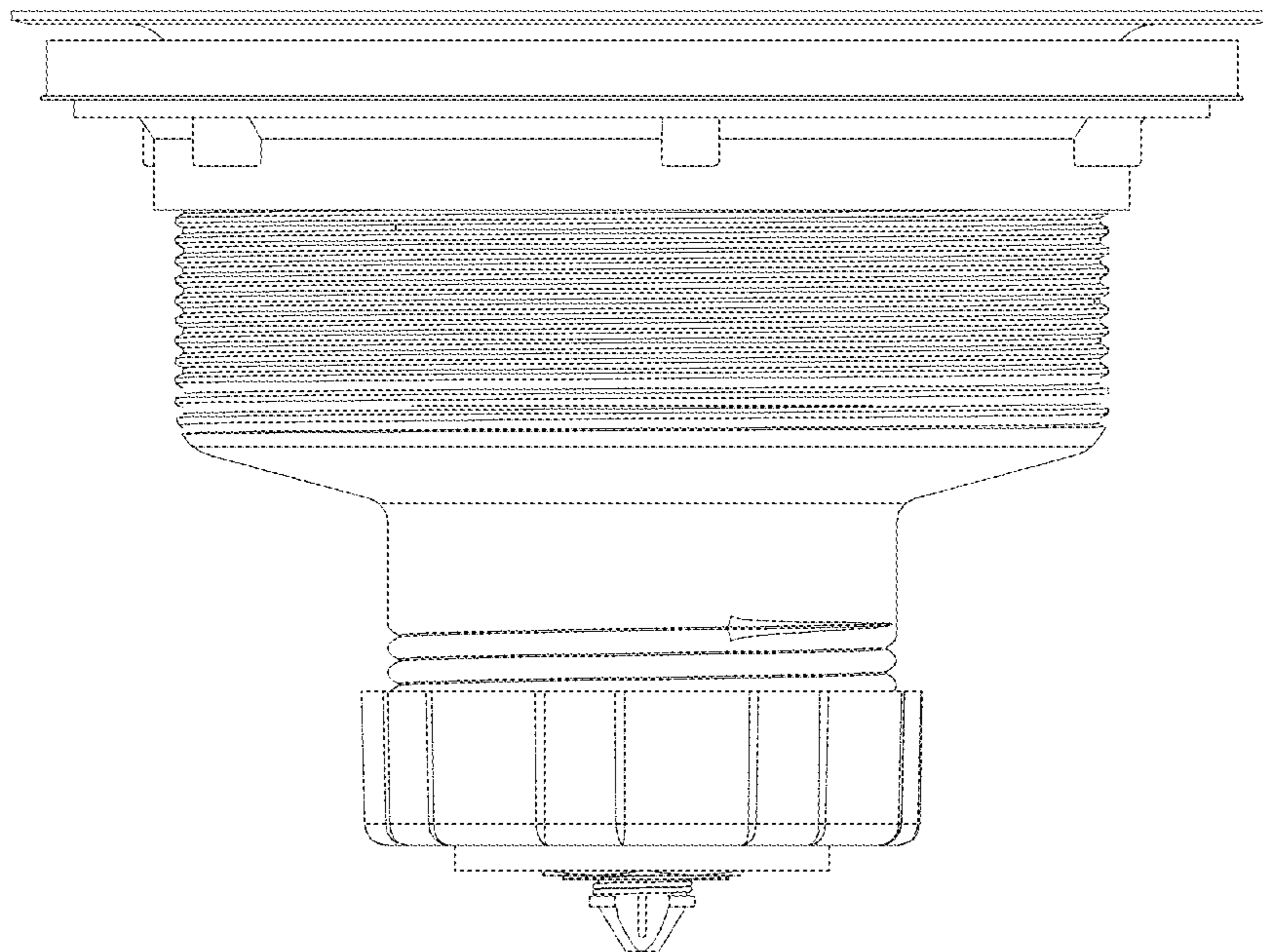


Fig. 5

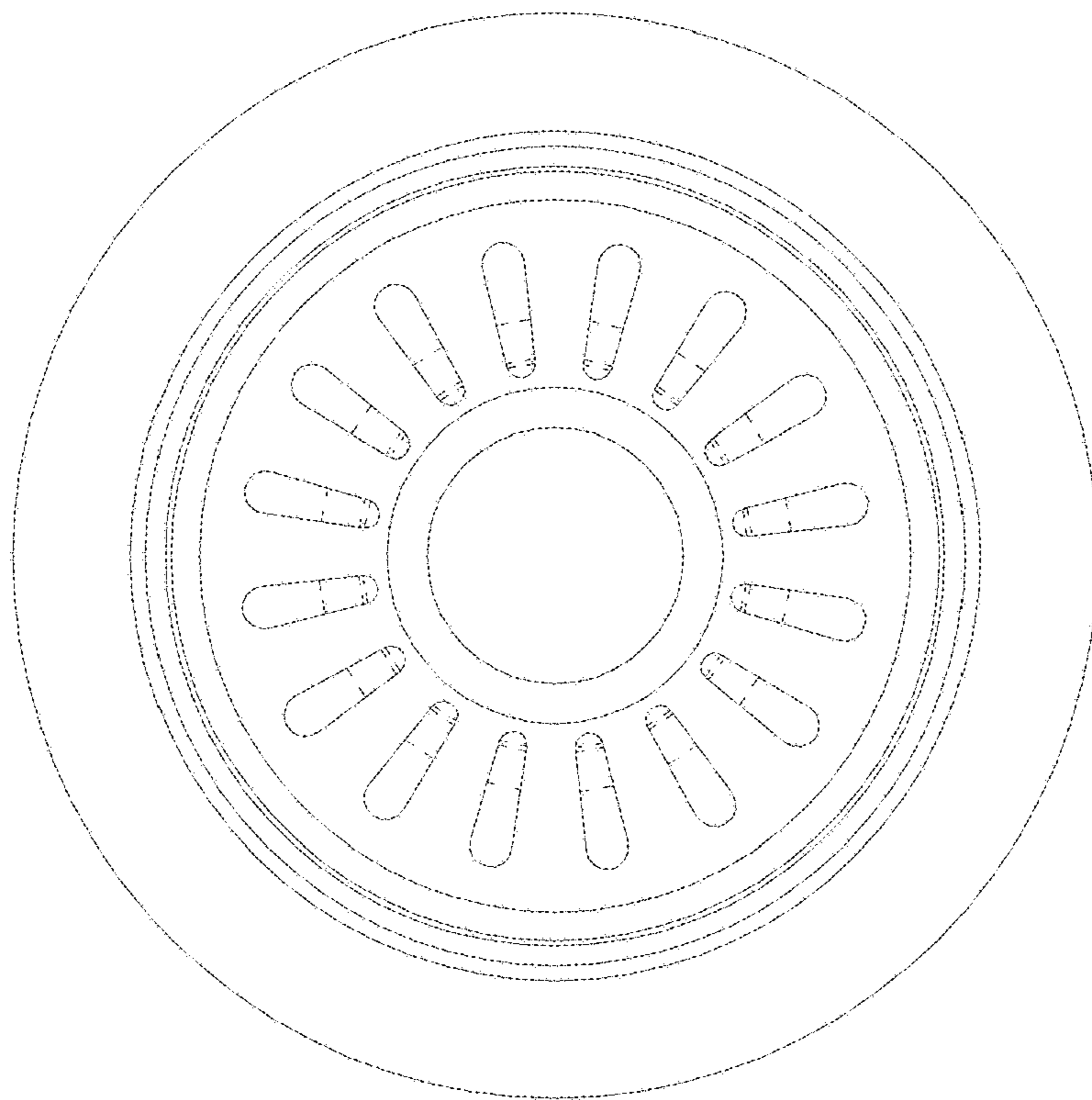


Fig. 6

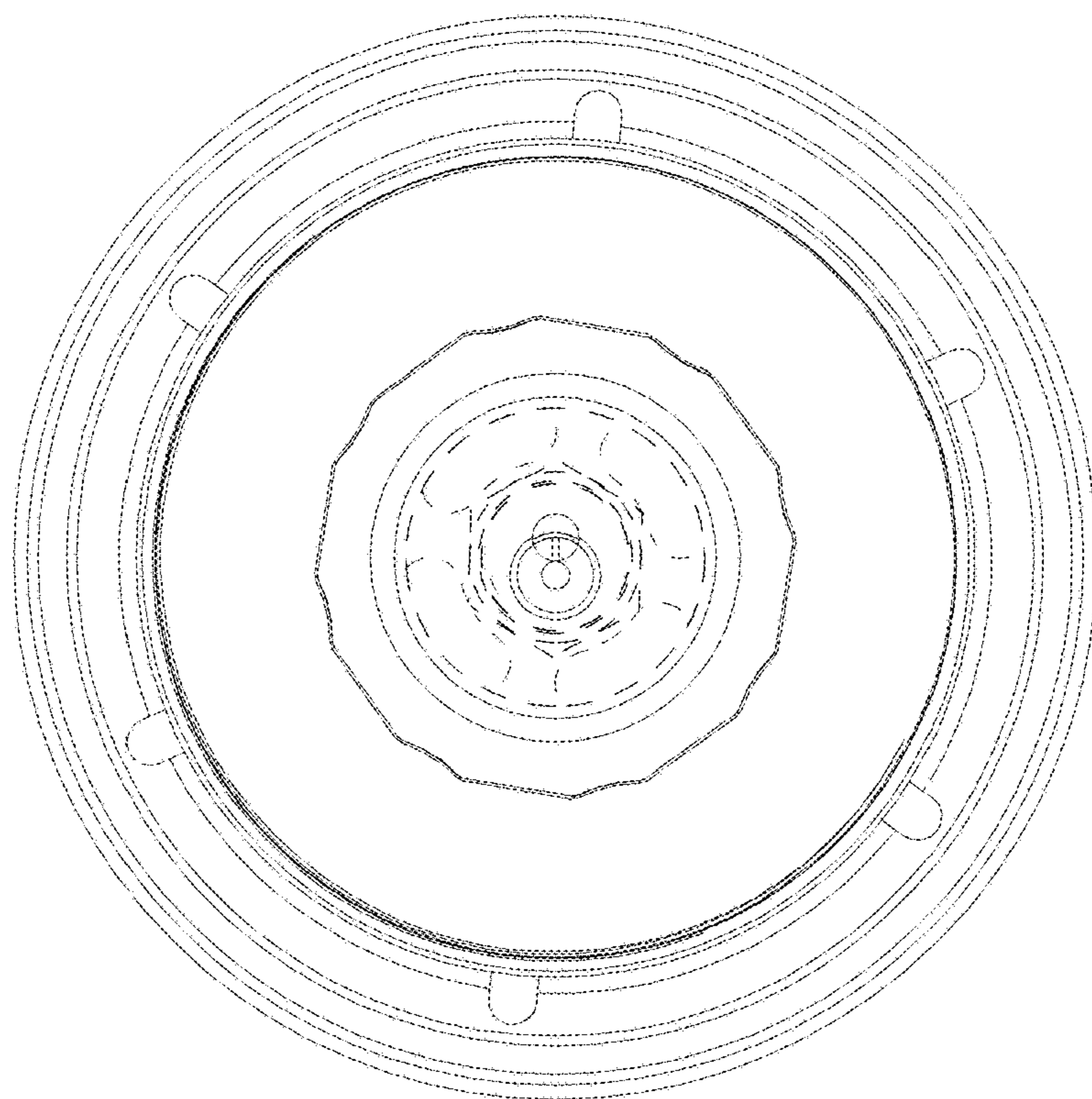


Fig. 7

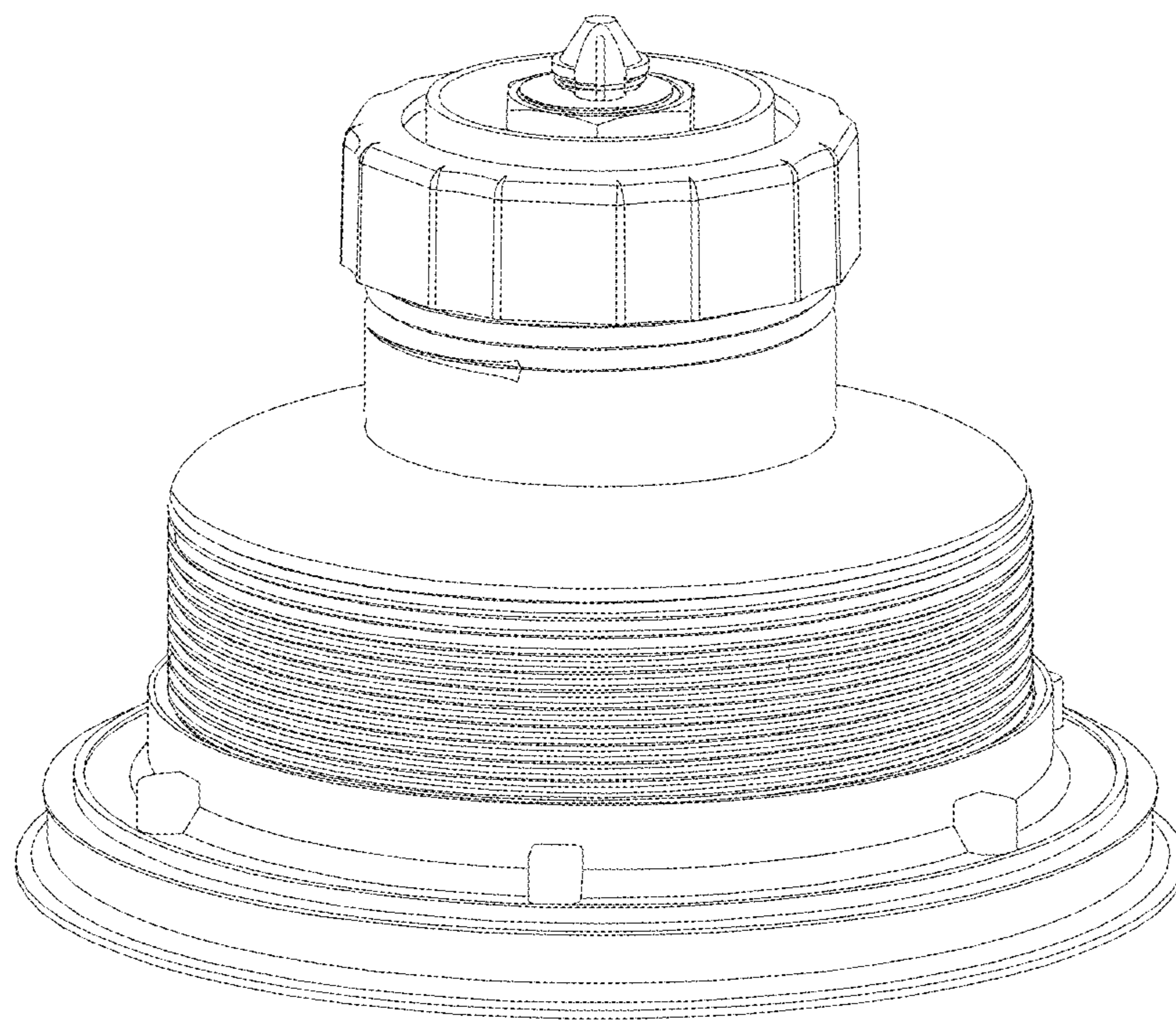


Fig. 8