



US00D919772S

(12) **United States Design Patent**  
**Luo**

(10) **Patent No.:** **US D919,772 S**

(45) **Date of Patent:** **\*\* \*May 18, 2021**

(54) **SINK FILTER DEVICE**

(71) Applicant: **Taizhou Luobang Sanitary Ware MFG Co., Ltd., Zhejiang (CN)**

(72) Inventor: **Changfu Luo, Zhejiang (CN)**

(73) Assignee: **TAIZHOU LUOBANG SANITARY WARE MFG CO., LTD., Zhejiang (CN)**

(\*) Notice: This patent is subject to a terminal disclaimer.

(\*\*) Term: **15 Years**

(21) Appl. No.: **29/618,209**

(22) Filed: **Sep. 20, 2017**

(51) **LOC (13) Cl.** ..... **23-01**

(52) **U.S. Cl.**  
USPC ..... **D23/261**

(58) **Field of Classification Search**  
USPC ..... D23/259-261; 4/679, 681, 489, 496;  
251/215, 216; 285/58, 291.1, 291.2  
CPC ... E03C 1/26; E03C 1/264; E03C 1/28; E03C  
1/262  
See application file for complete search history.

(56) **References Cited**

**U.S. PATENT DOCUMENTS**

- 2,739,317 A \* 3/1956 Abresch ..... E03C 1/264  
4/679
- 5,265,281 A \* 11/1993 McAlpine ..... E03C 1/262  
4/287
- 6,108,828 A \* 8/2000 Cheng ..... A47K 1/14  
4/286

- D441,848 S \* 5/2001 Huang ..... D23/261
- D517,664 S \* 3/2006 Hill ..... D23/261
- 7,013,500 B1 \* 3/2006 Lin ..... E03C 1/262  
4/287
- D725,751 S \* 3/2015 Luo ..... D23/260
- D728,077 S \* 4/2015 Luo ..... D23/260
- D745,642 S \* 12/2015 Luo ..... D23/260
- D783,782 S \* 4/2017 Scott ..... D23/261
- 2003/0182721 A1 \* 10/2003 Li ..... E03C 1/262  
4/287
- 2007/0180602 A1 \* 8/2007 Lin ..... E03C 1/23  
4/287
- 2014/0075662 A1 \* 3/2014 Gayoso ..... E03C 1/262  
4/287

\* cited by examiner

*Primary Examiner* — Amy C Wierenga

(74) *Attorney, Agent, or Firm* — Bacon & Thomas, PLLC

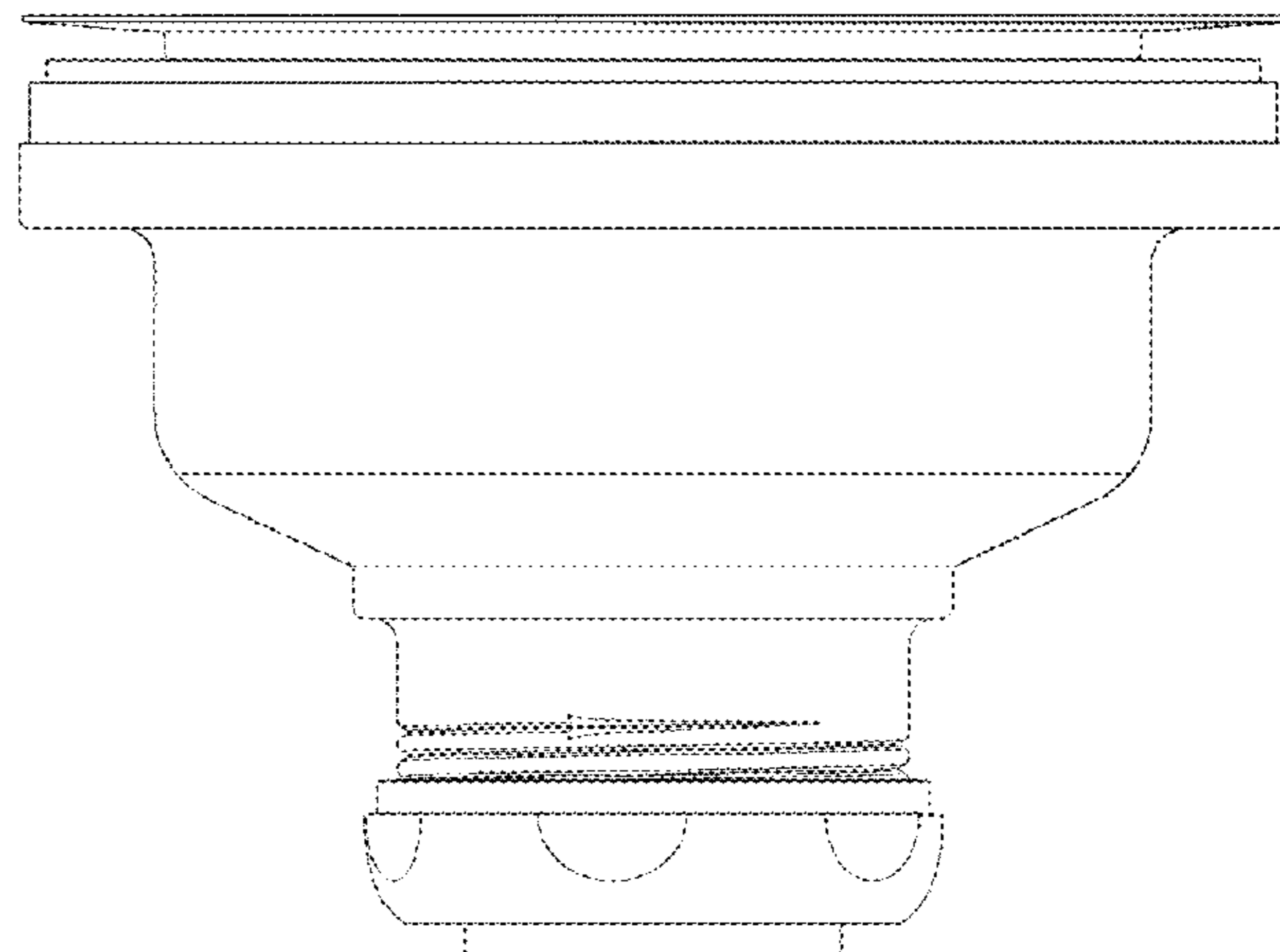
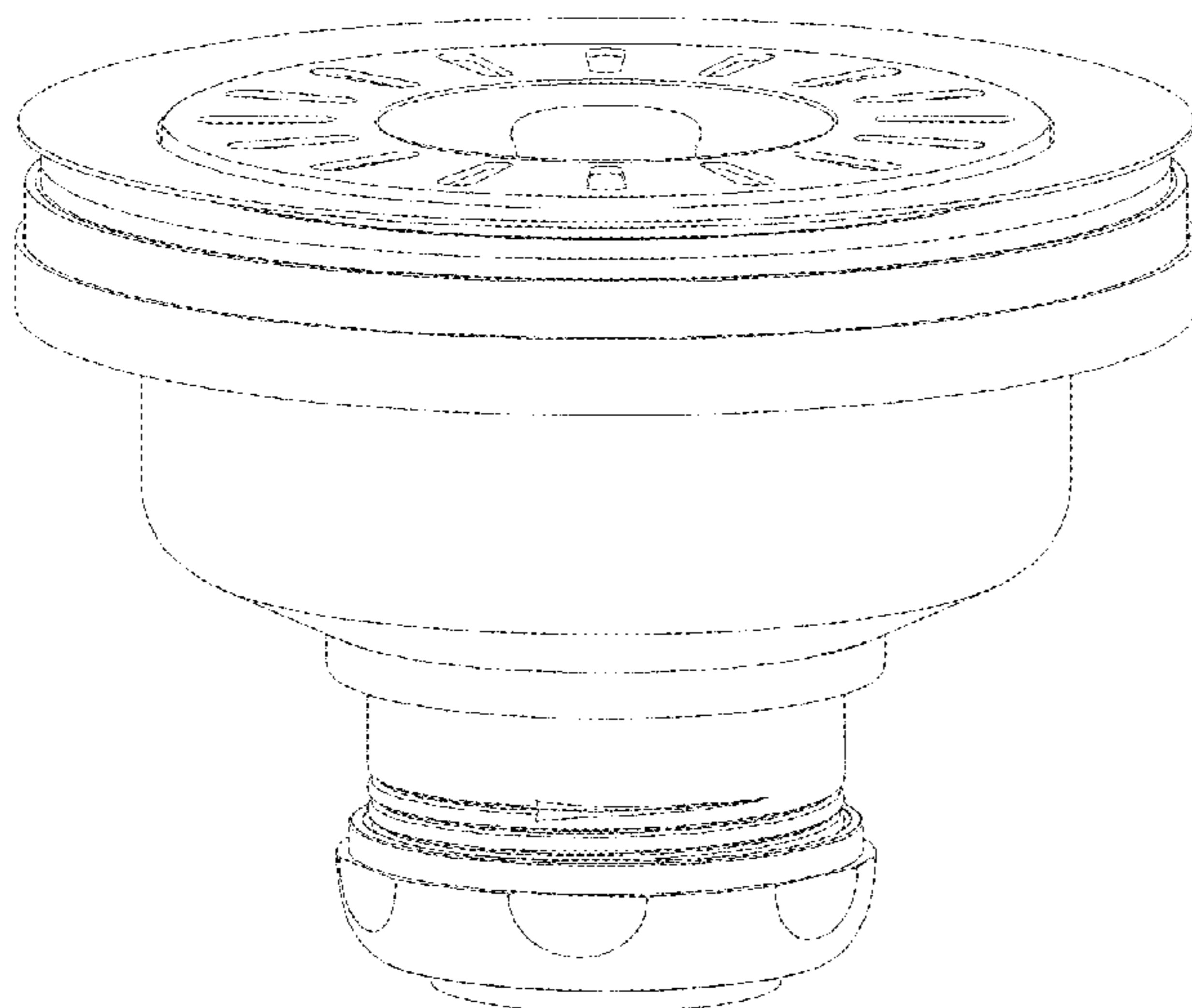
(57) **CLAIM**

The ornamental design for a sink filter device, as shown and described.

**DESCRIPTION**

FIG. 1 is a front side perspective view of a sink filter device showing my new design;  
 FIG. 2 is a front elevational view thereof;  
 FIG. 3 is a rear elevational view thereof;  
 FIG. 4 is a left side elevational view thereof;  
 FIG. 5 is a right side elevational view thereof;  
 FIG. 6 is a top plan view thereof;  
 FIG. 7 is a bottom plan view thereof; and,  
 FIG. 8 is another side perspective view thereof.  
 The dashed broken lines depict portions of the sink filter device that form no part of the claim.

**1 Claim, 5 Drawing Sheets**



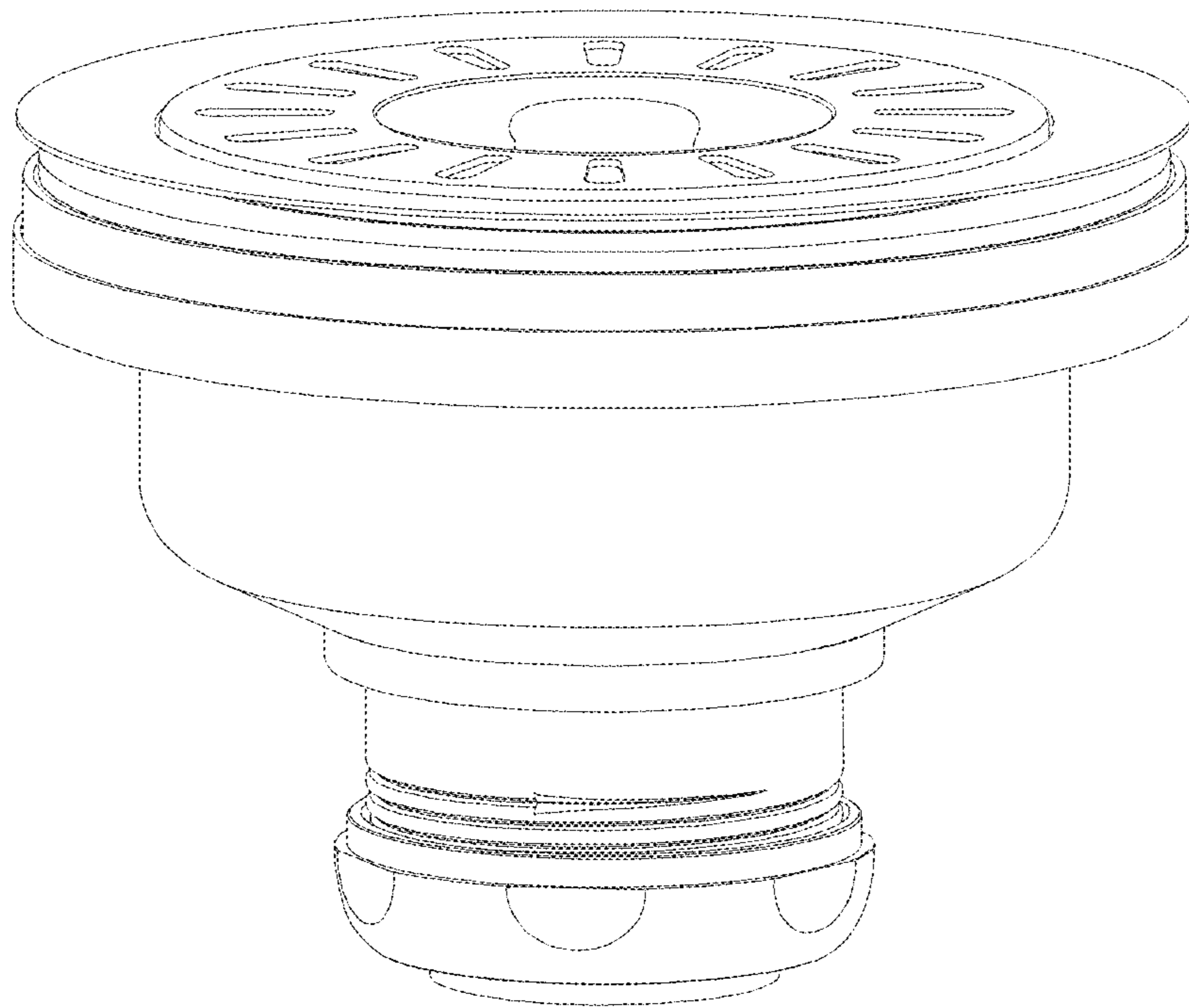


Fig. 1

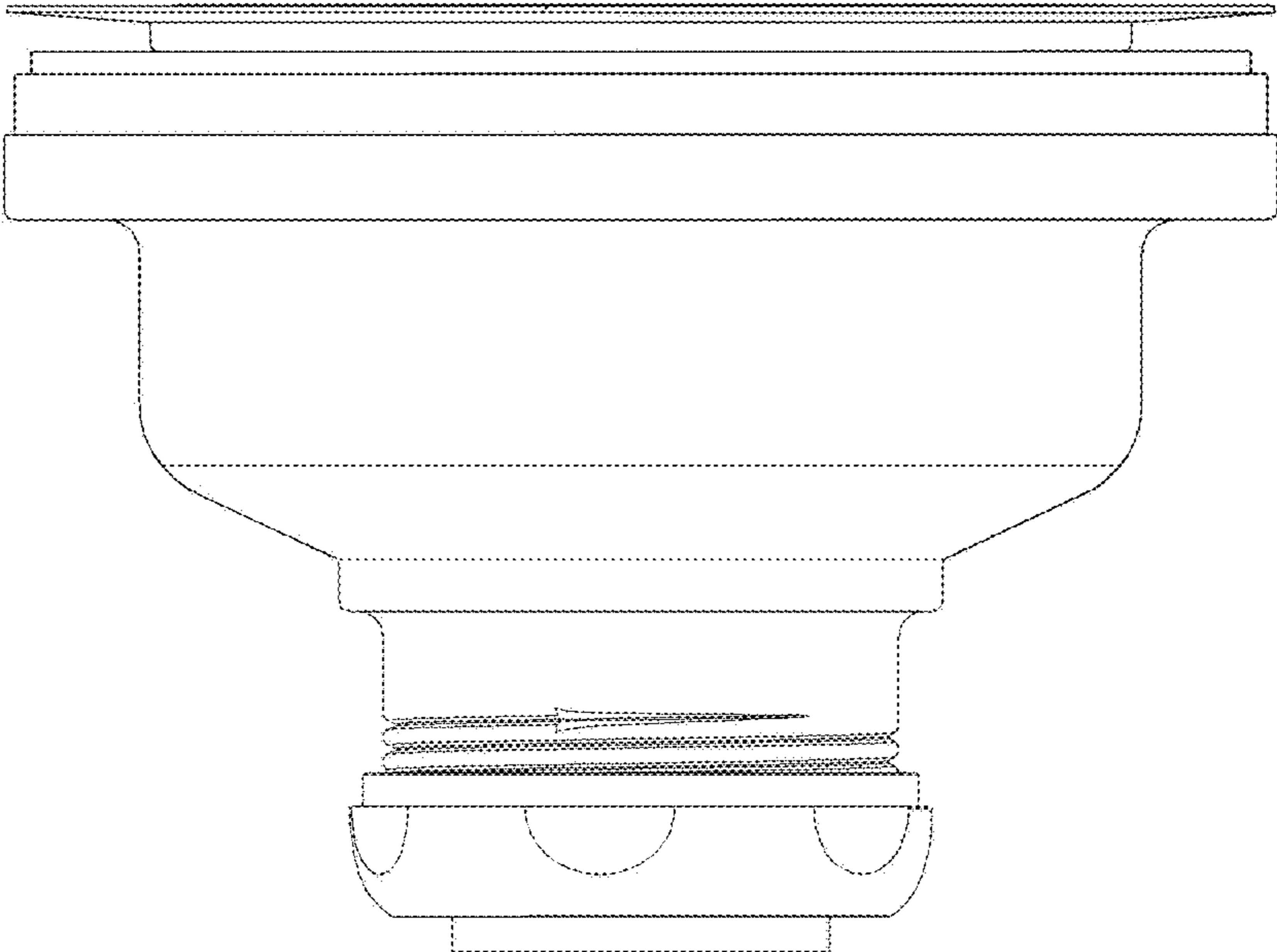


Fig. 2

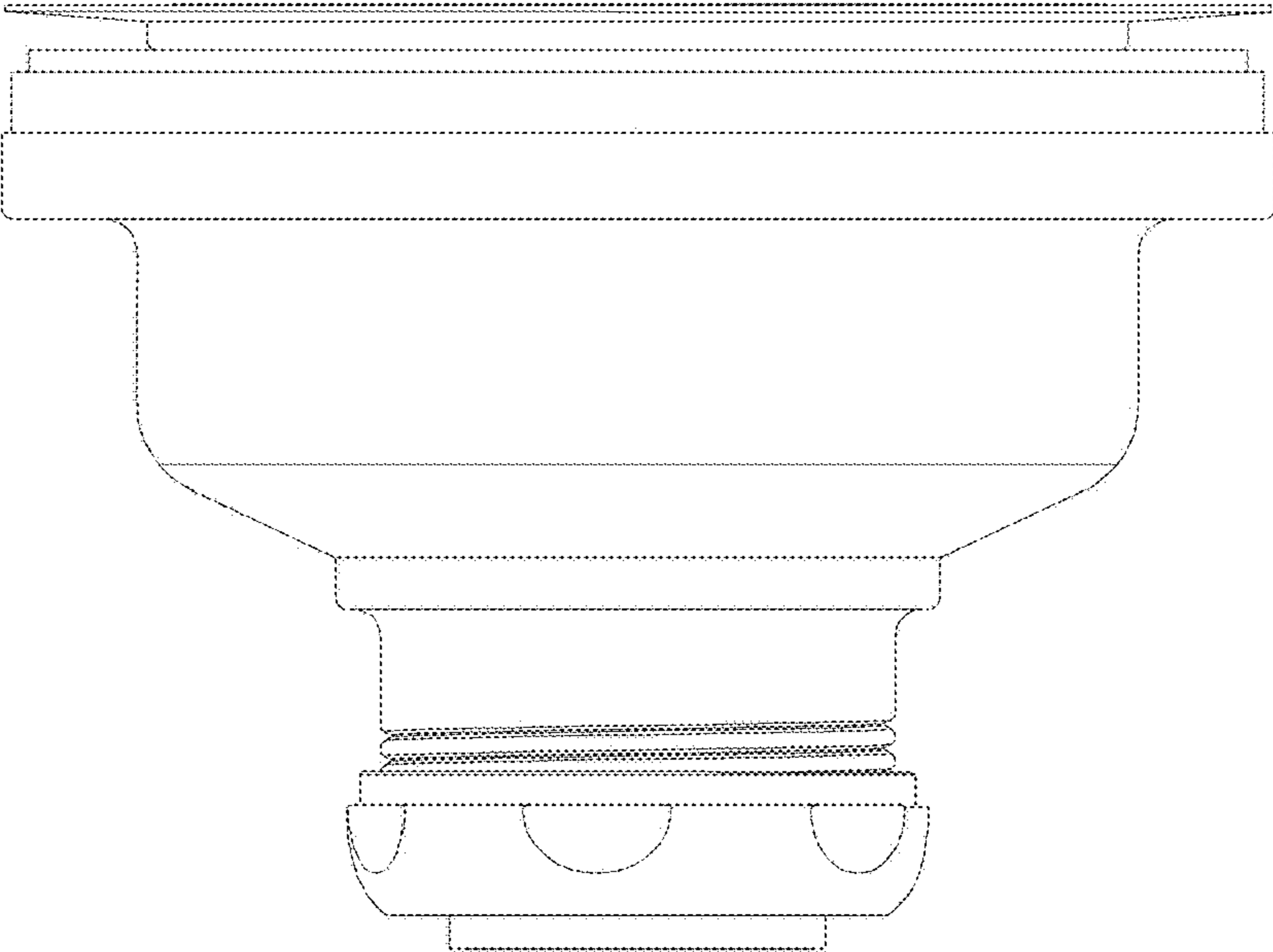


Fig. 3

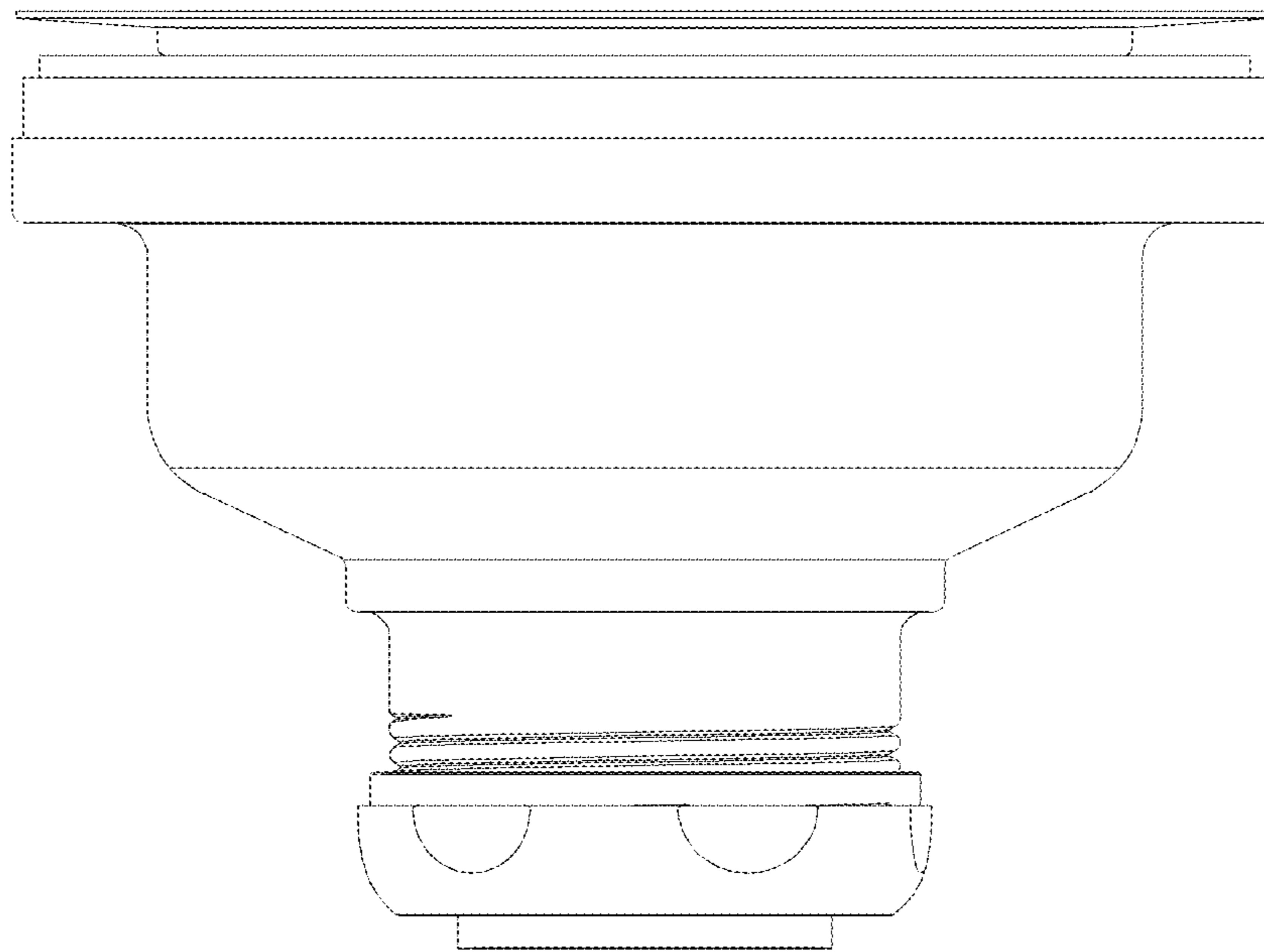


Fig. 4

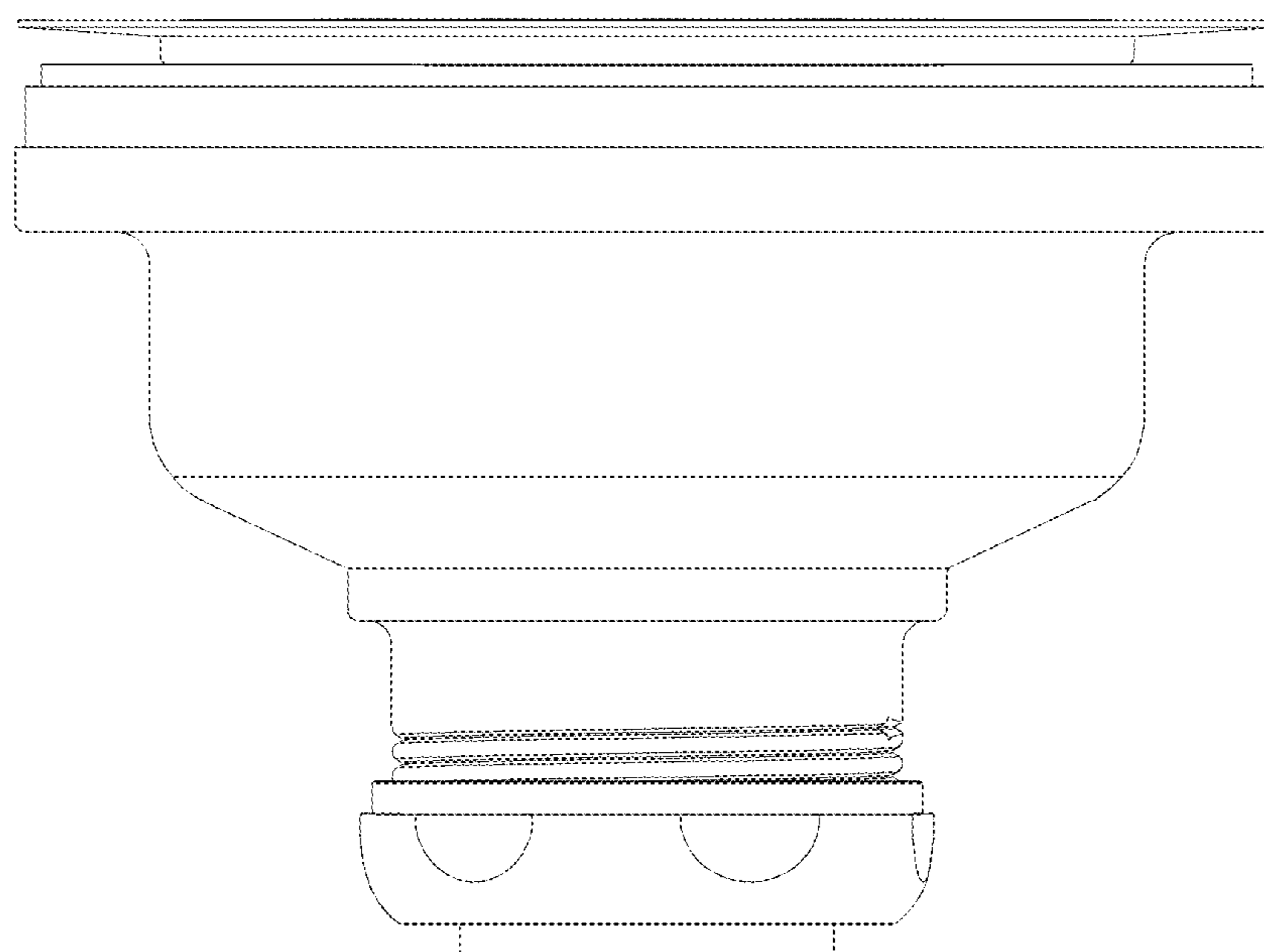


Fig. 5

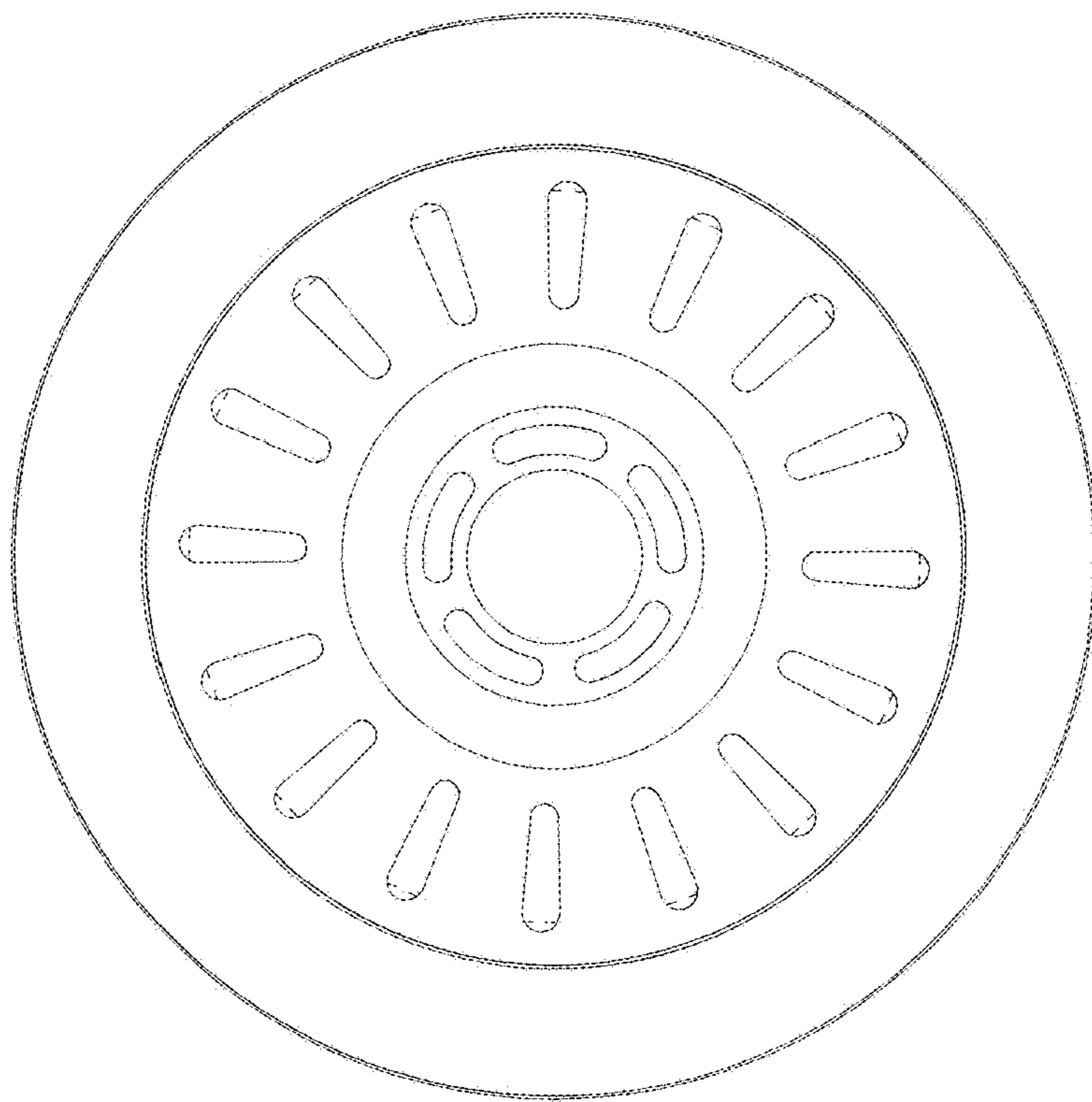


Fig. 6

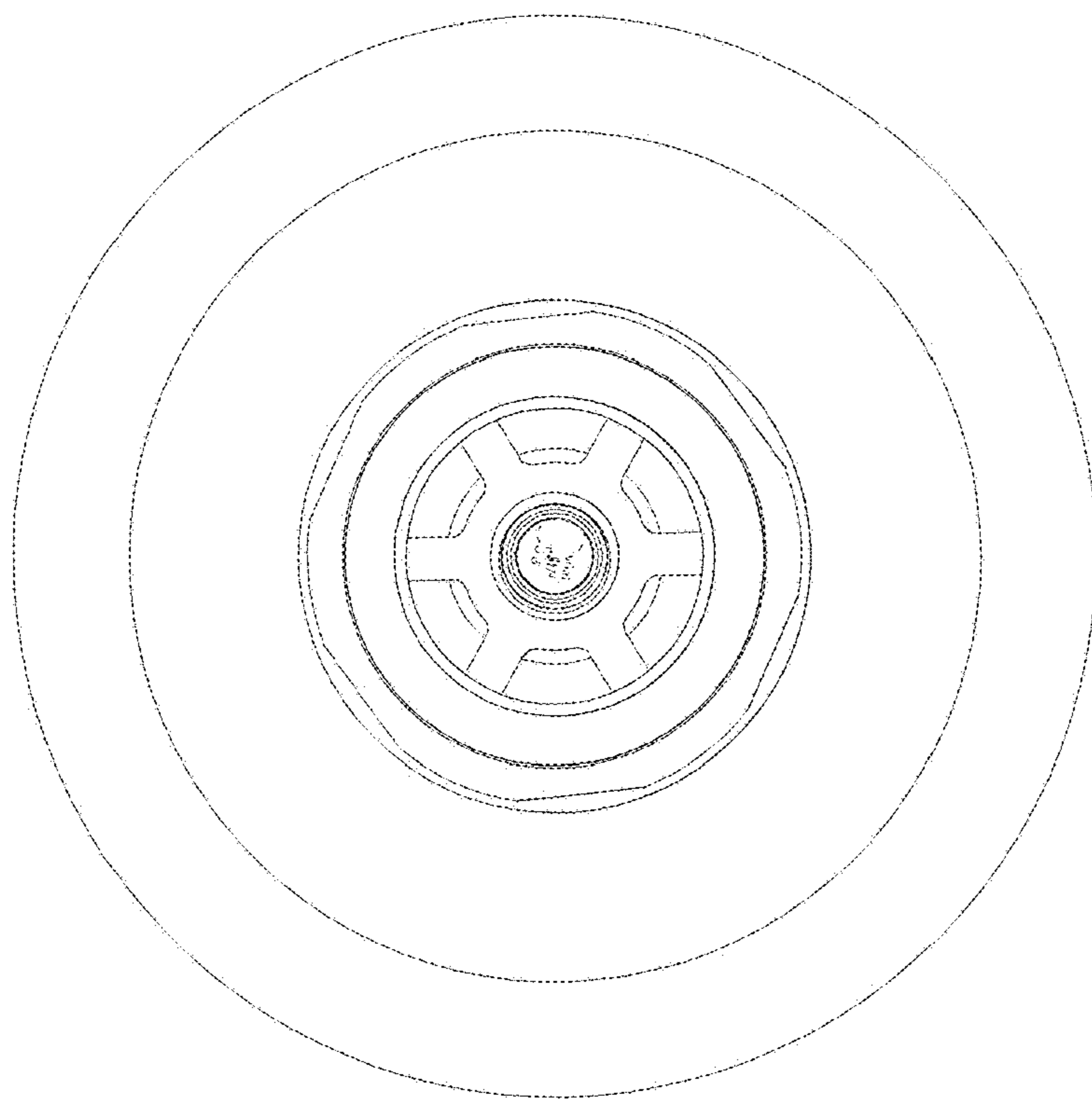


Fig. 7

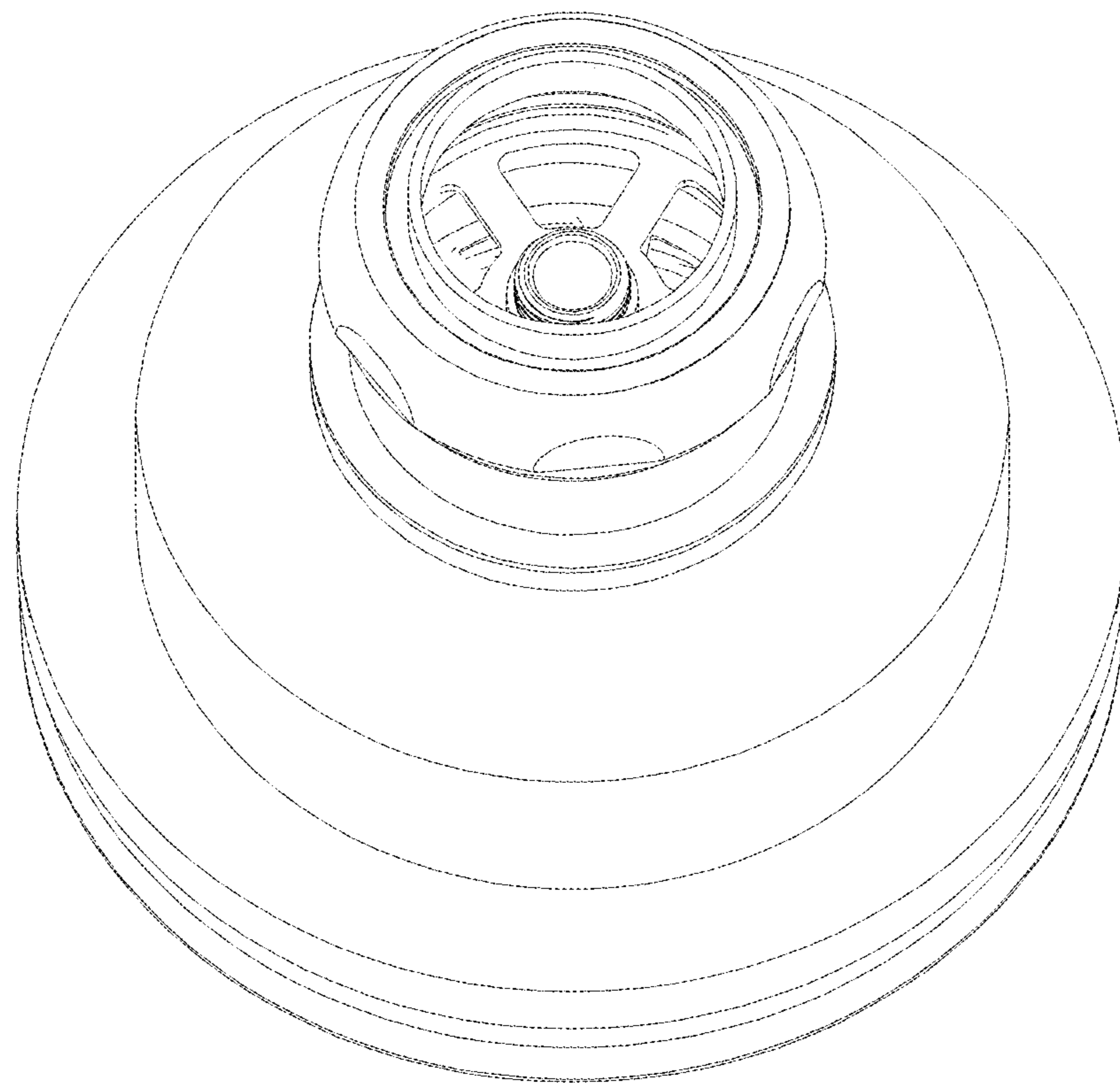


Fig. 8