



US00D919769S

(12) **United States Design Patent**  
**Garland**

(10) **Patent No.:** **US D919,769 S**

(45) **Date of Patent:** **\*\* May 18, 2021**

(54) **FAUCET SPOUT**

(71) Applicant: **DELTA FAUCET COMPANY,**  
Indianapolis, IN (US)

(72) Inventor: **Celine Kwok Garland,** Zionsville, IN  
(US)

(73) Assignee: **DELTA FAUCET COMPANY,**  
Indianapolis, IN (US)

(\*\*) Term: **15 Years**

(21) Appl. No.: **29/687,375**

(22) Filed: **Apr. 12, 2019**

(51) **LOC (13) Cl.** ..... **23-01**

(52) **U.S. Cl.**  
USPC ..... **D23/255**

(58) **Field of Classification Search**  
USPC ..... D23/255, 257, 238, 241-243  
See application file for complete search history.

(56) **References Cited**

U.S. PATENT DOCUMENTS

D681,174 S \* 4/2013 Liao ..... D23/257  
D717,402 S \* 11/2014 Fritz ..... D23/238  
D861,138 S \* 9/2019 Chen ..... D23/255

\* cited by examiner

*Primary Examiner* — Robert A Delehanty

(74) *Attorney, Agent, or Firm* — Nirav D Parikh; Edgar  
A. Zarins

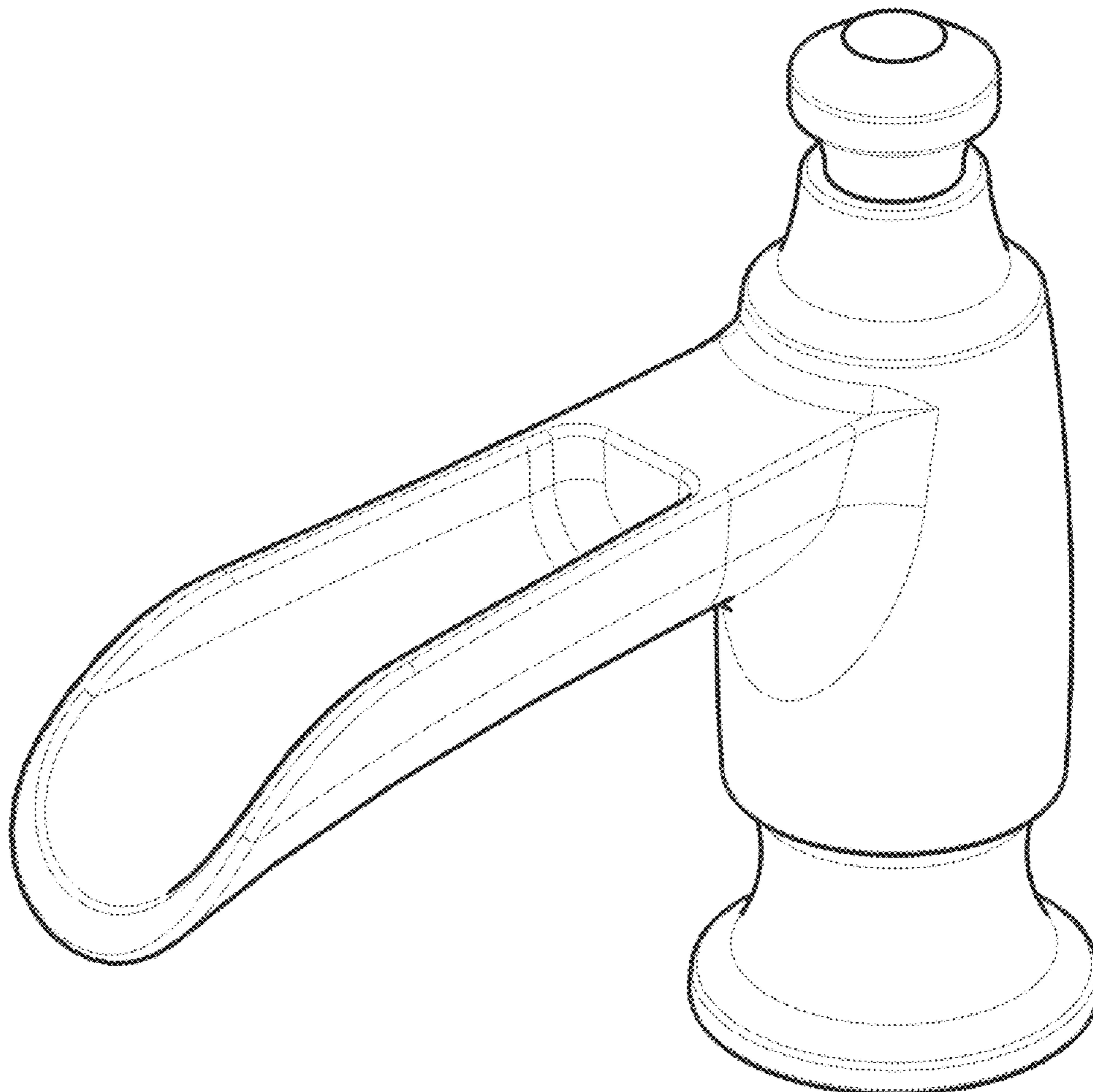
(57) **CLAIM**

The ornamental design for a faucet spout, as shown and  
described.

**DESCRIPTION**

FIG. 1 is a front perspective view of a faucet spout showing  
my new design;  
FIG. 2 is a rear perspective view thereof;  
FIG. 3 is a front elevational view thereof;  
FIG. 4 is a left side view thereof;  
FIG. 5 is a rear view thereof;  
FIG. 6 is a right side view thereof; and,  
FIG. 7 is a top plan view thereof.

**1 Claim, 4 Drawing Sheets**



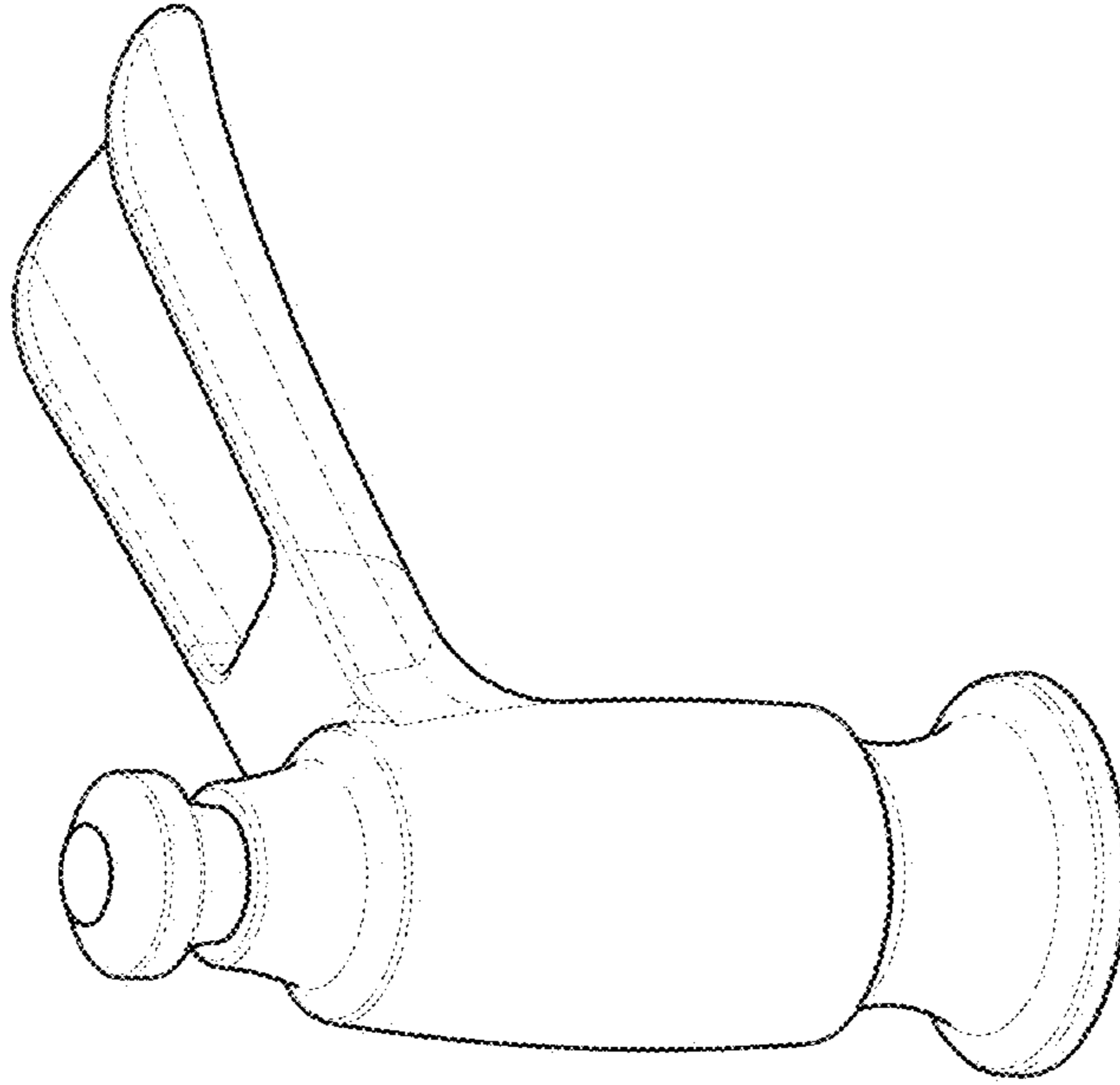


FIG - 2

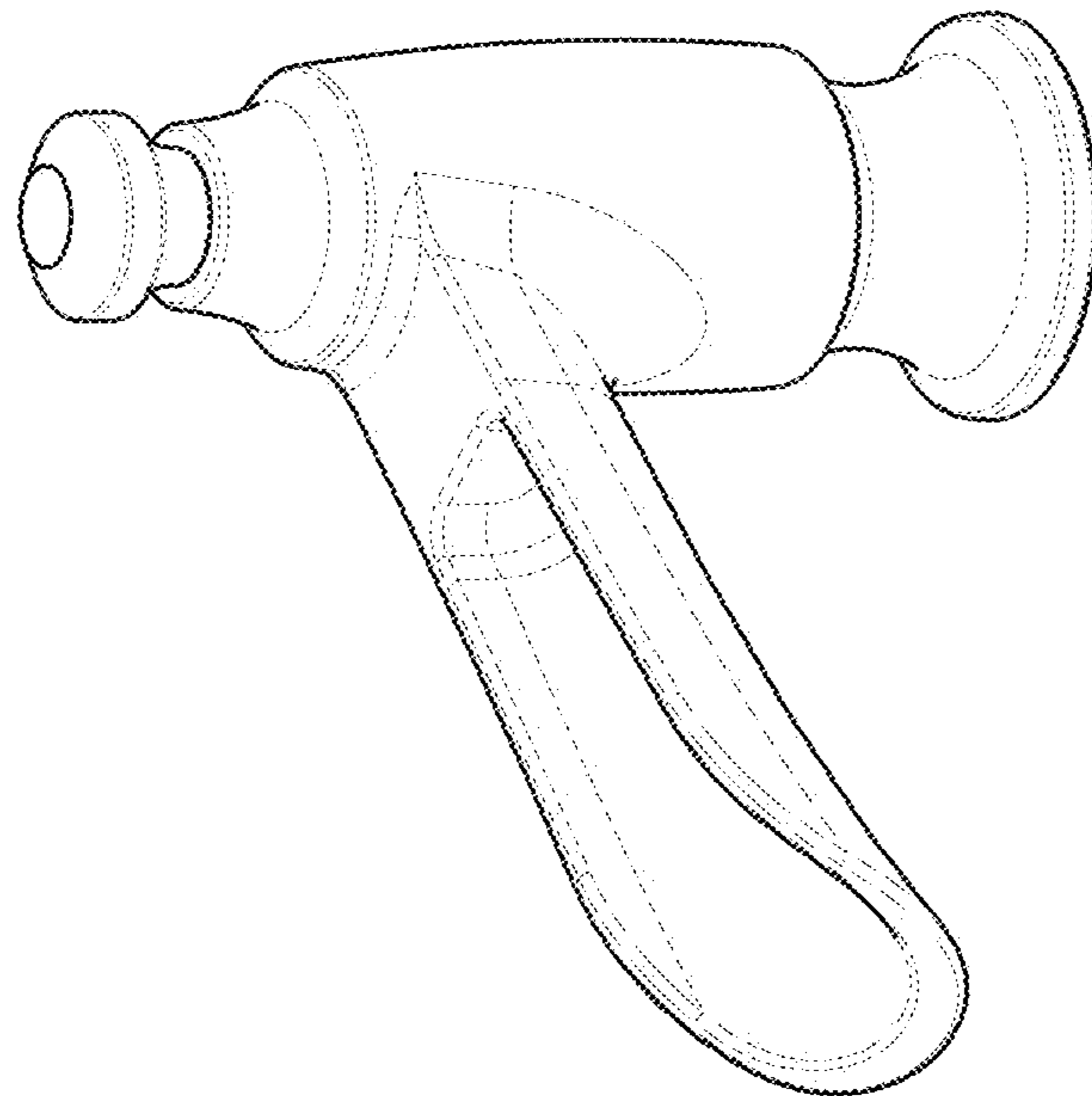


FIG - 1

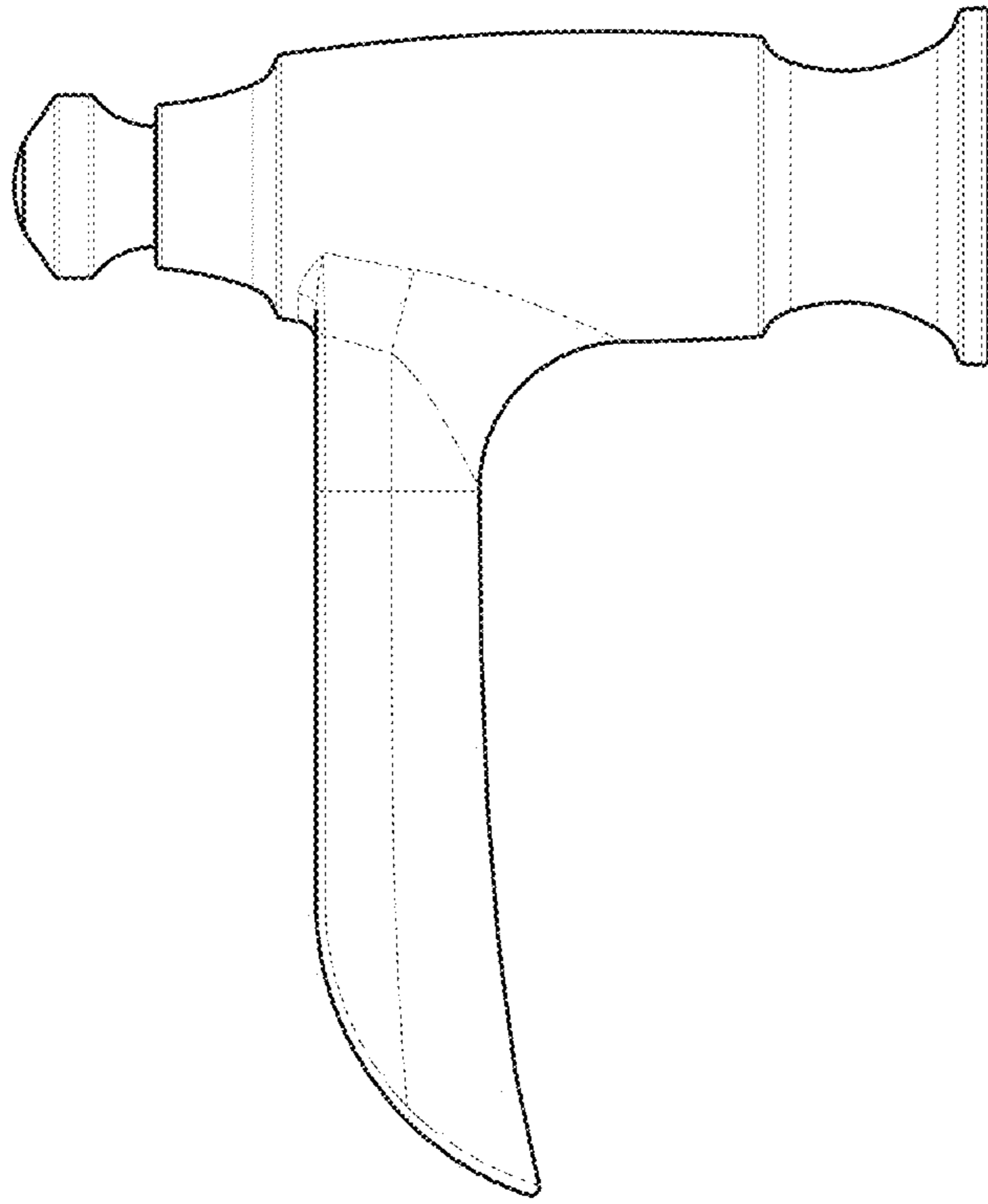


FIG - 4

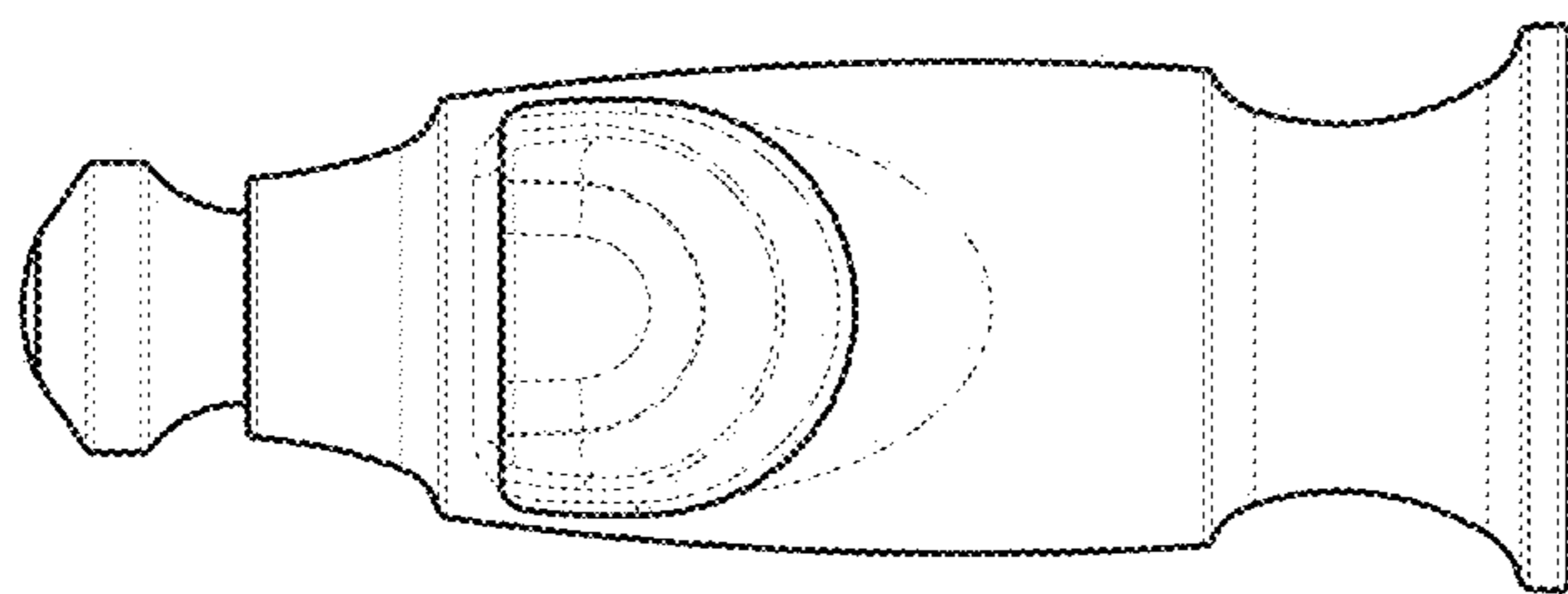


FIG - 3

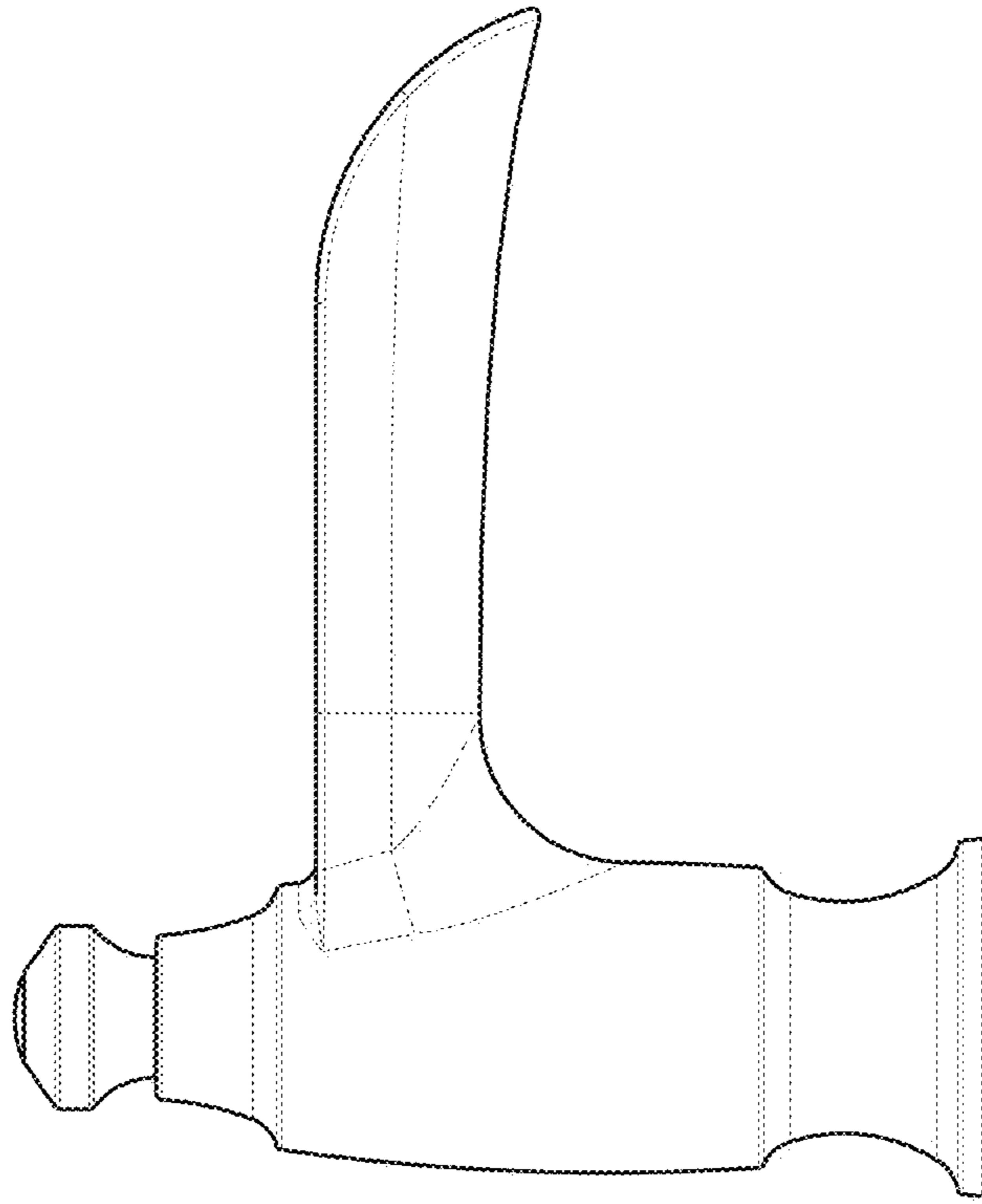


FIG - 6

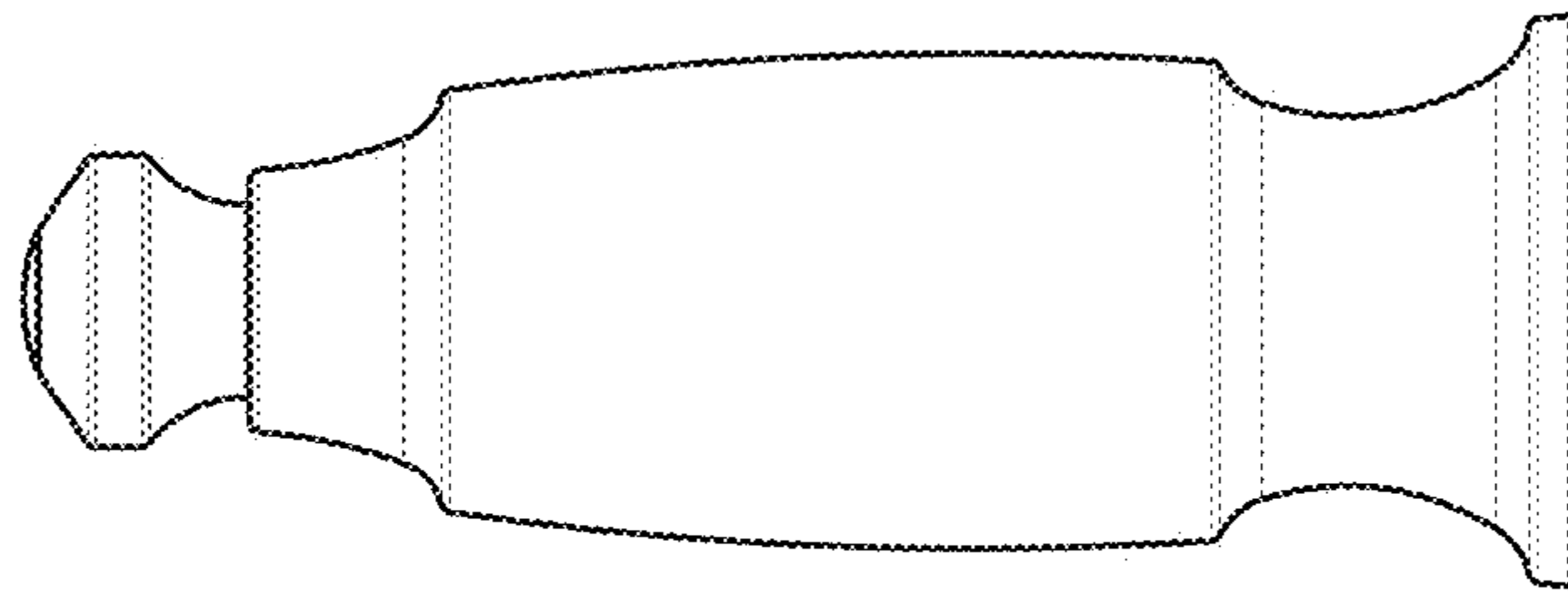


FIG - 5

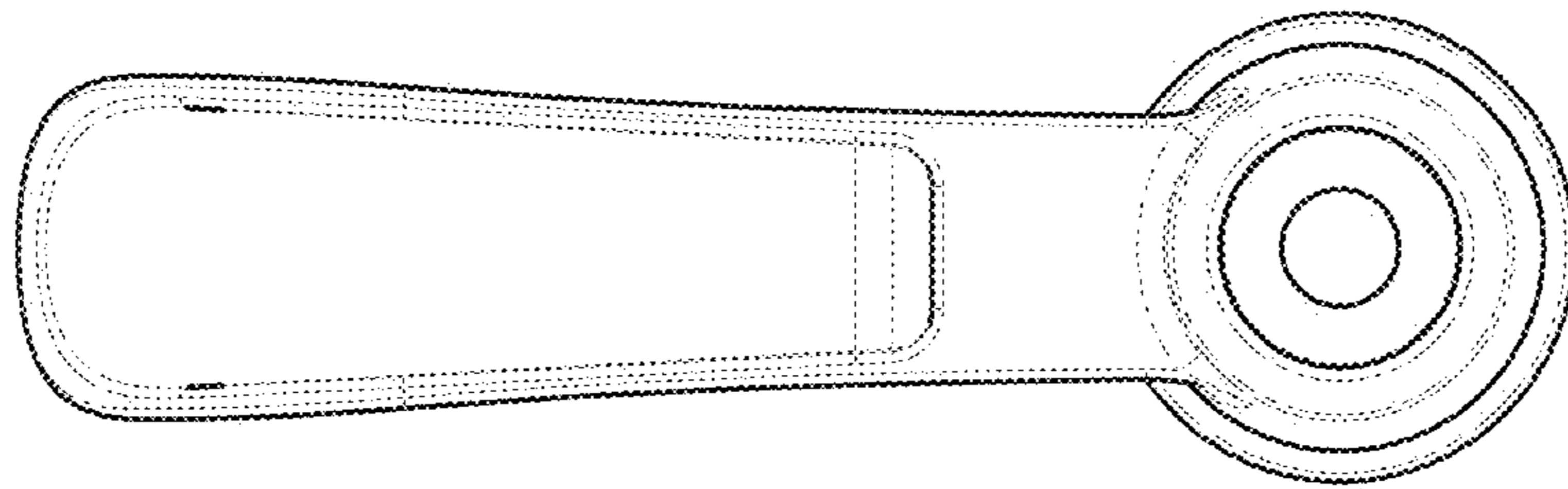


FIG. 7