



US00D919764S

(12) **United States Design Patent**
Spangler

(10) **Patent No.:** **US D919,764 S**

(45) **Date of Patent:** **** May 18, 2021**

(54) **FAUCET HANDLE**

(71) Applicant: **DELTA FAUCET COMPANY,**
Indianapolis, IN (US)

(72) Inventor: **Anthony G. Spangler,** Indianapolis, IN
(US)

(73) Assignee: **DELTA FAUCET COMPANY,**
Indianapolis, IN (US)

(**) Term: **15 Years**

(21) Appl. No.: **29/693,237**

(22) Filed: **May 31, 2019**

(51) **LOC (13) Cl.** **23-01**

(52) **U.S. Cl.**
USPC **D23/250**

(58) **Field of Classification Search**
USPC D23/250–254, 238–243; D8/307–308
See application file for complete search history.

(56) **References Cited**

U.S. PATENT DOCUMENTS

D632,369 S * 2/2011 Kulig D23/252
D786,578 S * 5/2017 Eads D6/527

D879,253 S * 3/2020 Lazarini D23/252
D881,347 S * 4/2020 Lazarini D23/252
D882,736 S * 4/2020 Eads D23/252
D893,679 S * 8/2020 Park D23/252
2011/0220827 A1* 9/2011 Tortorello F16K 31/602
251/231

* cited by examiner

Primary Examiner — Robert A Delehanty

(74) *Attorney, Agent, or Firm* — Nirav D. Parikh; Edgar
A. Zarins

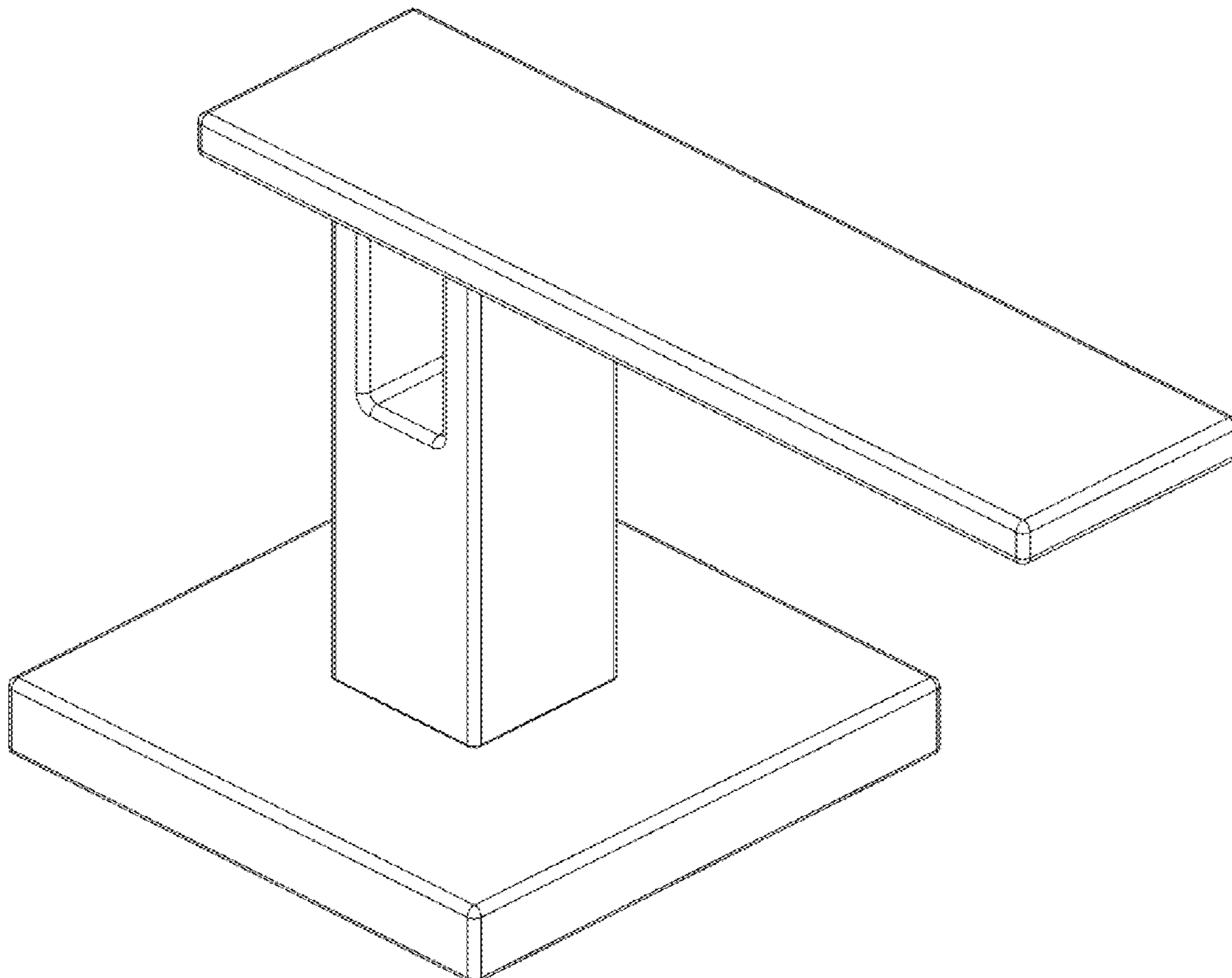
(57) **CLAIM**

The ornamental design for a faucet handle, as shown and
described.

DESCRIPTION

FIG. 1 is a front perspective view of a faucet handle showing
my new design;
FIG. 2 is a rear perspective view thereof;
FIG. 3 is a left side view thereof;
FIG. 4 is a front elevational view thereof;
FIG. 5 is a right side view thereof;
FIG. 6 is a fourth side view thereof; and,
FIG. 7 is a top plan view thereof.

1 Claim, 4 Drawing Sheets



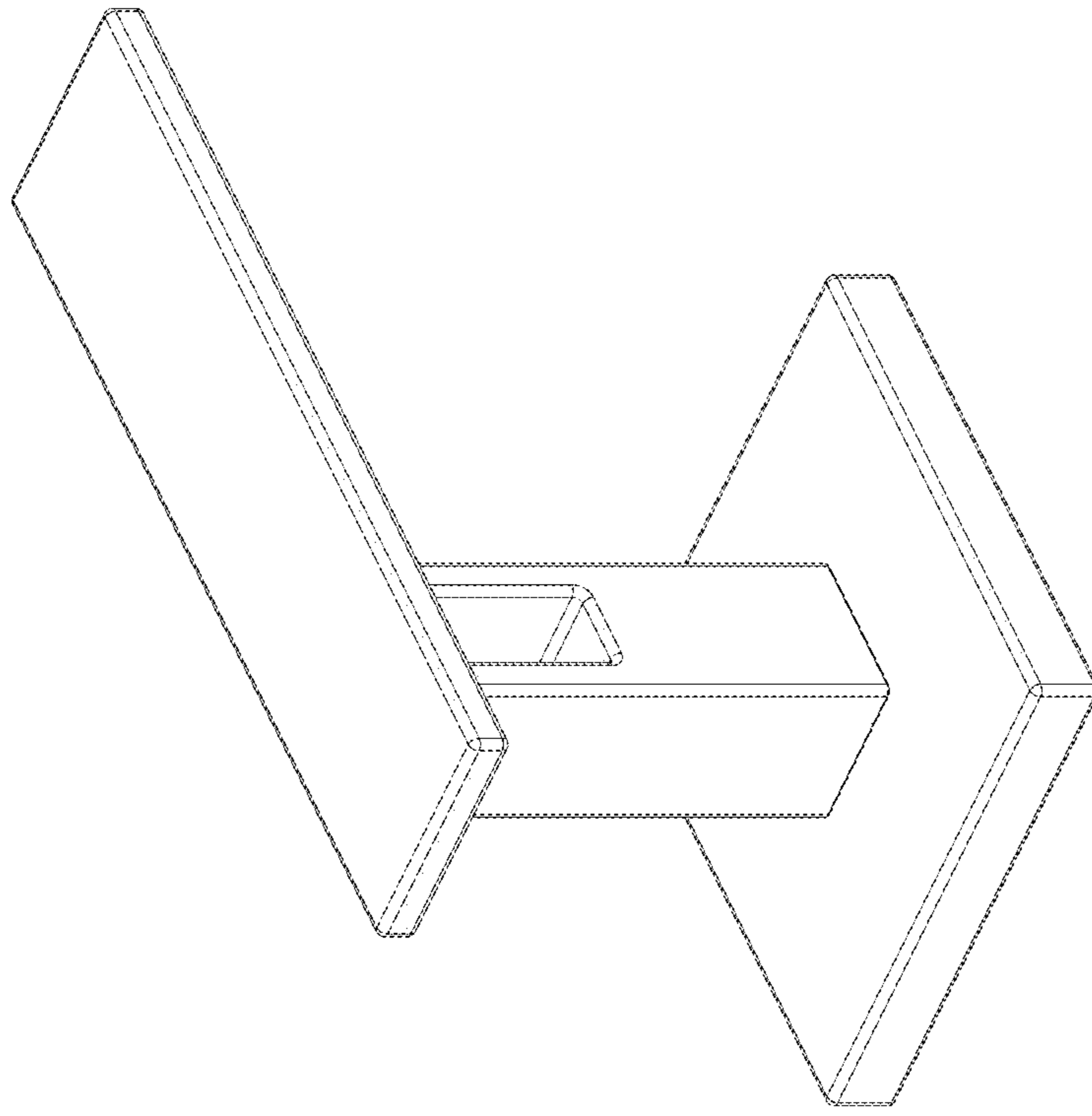


Fig.2

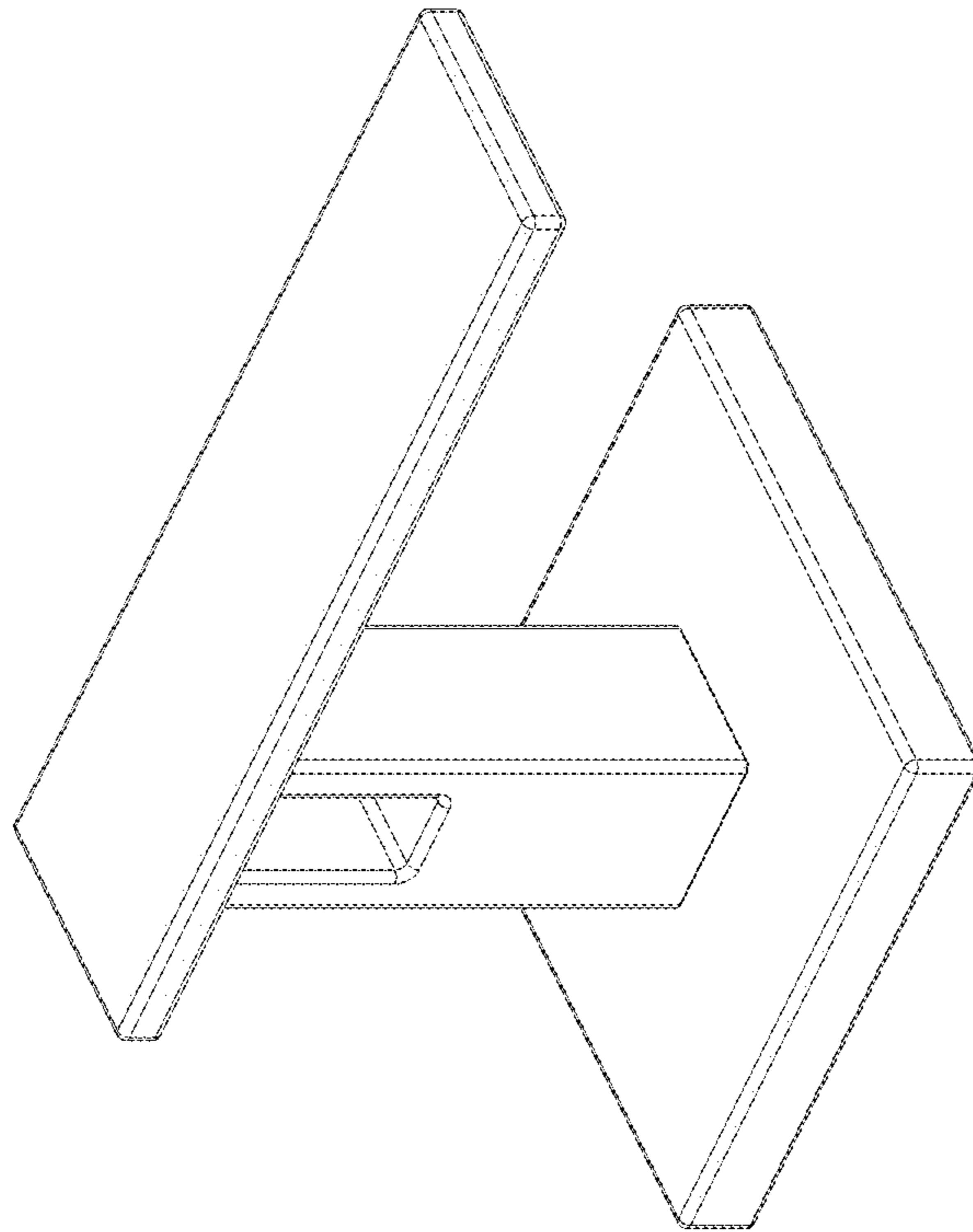


Fig.1

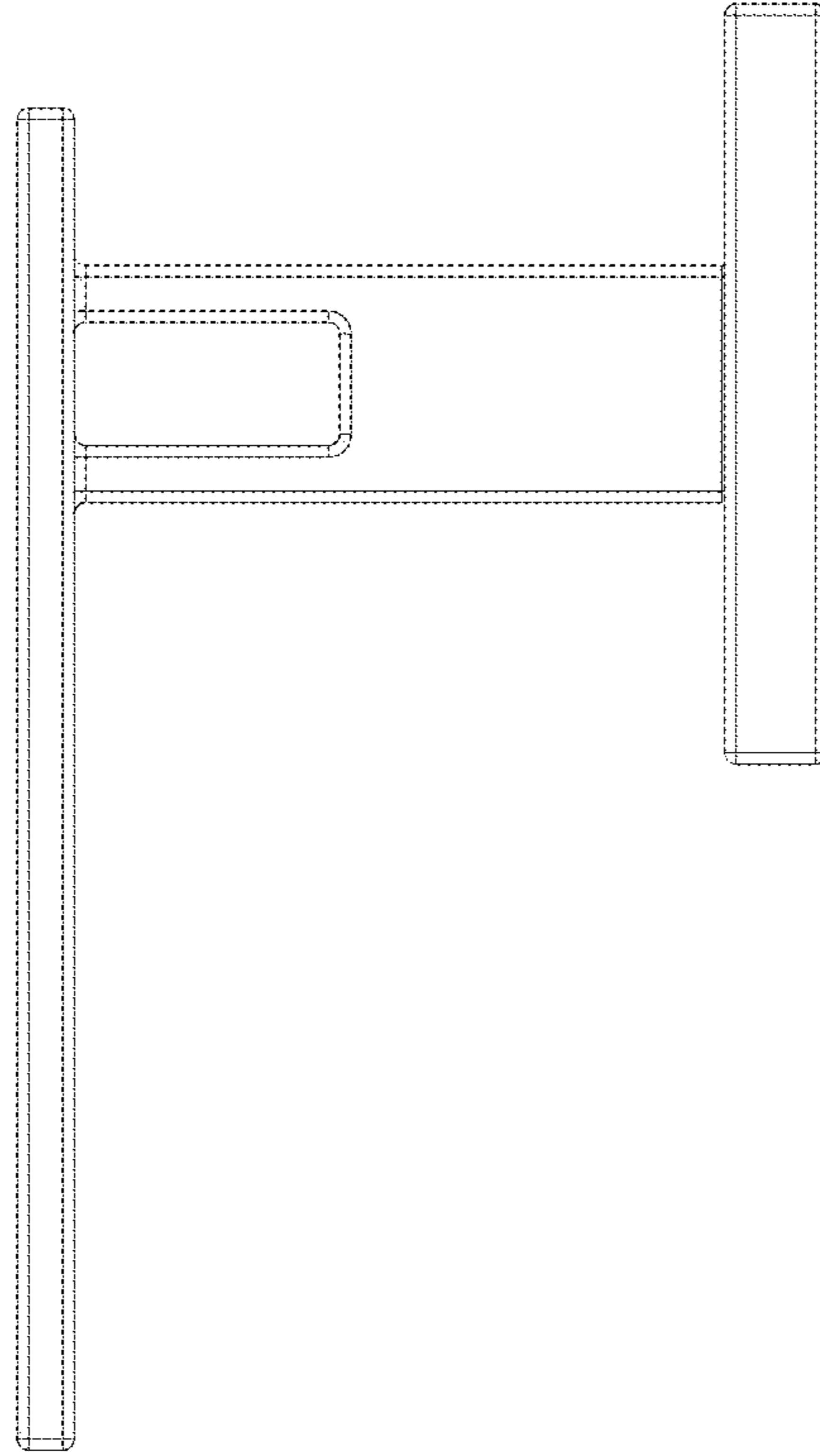


Fig.4

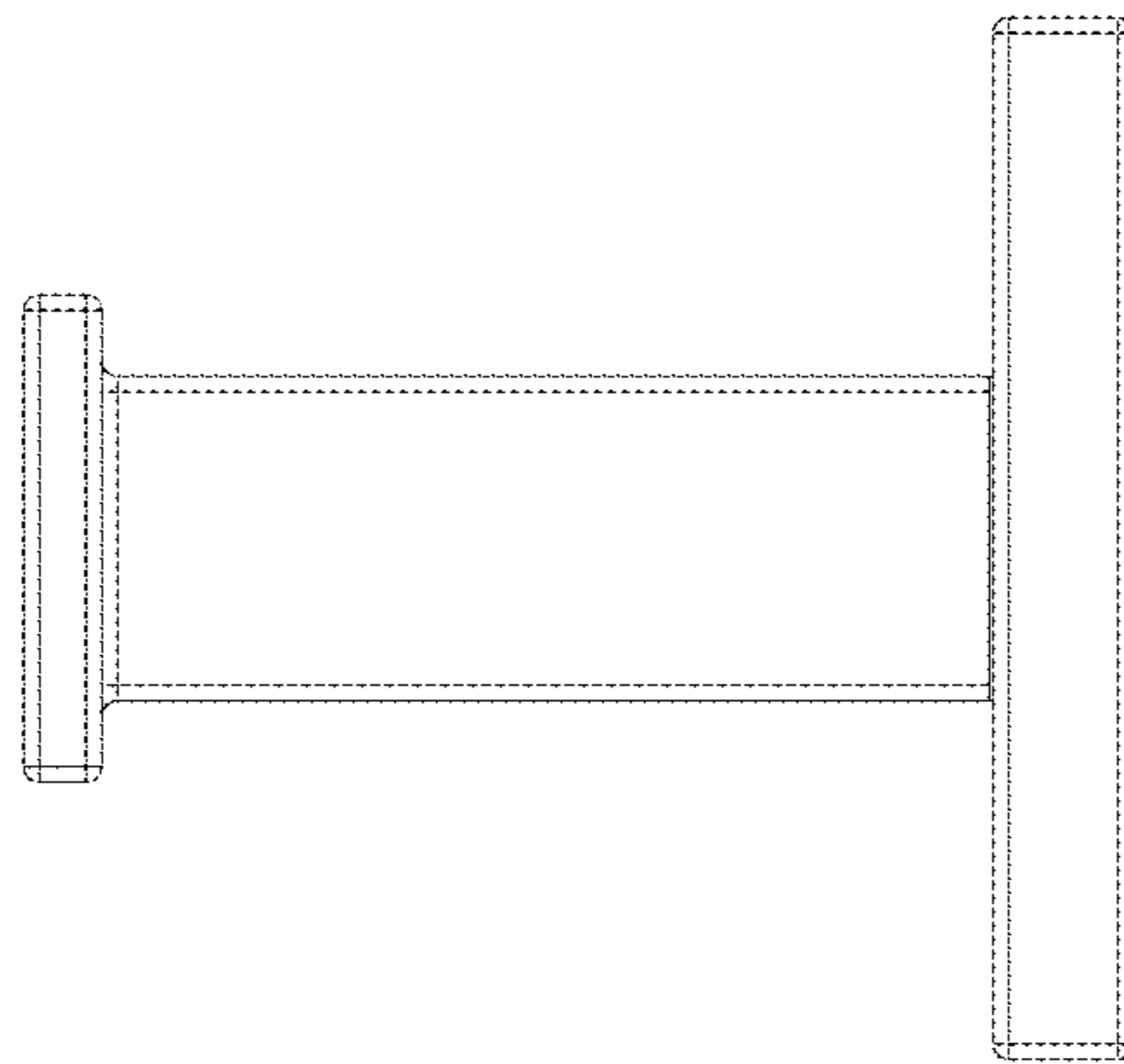


Fig.3

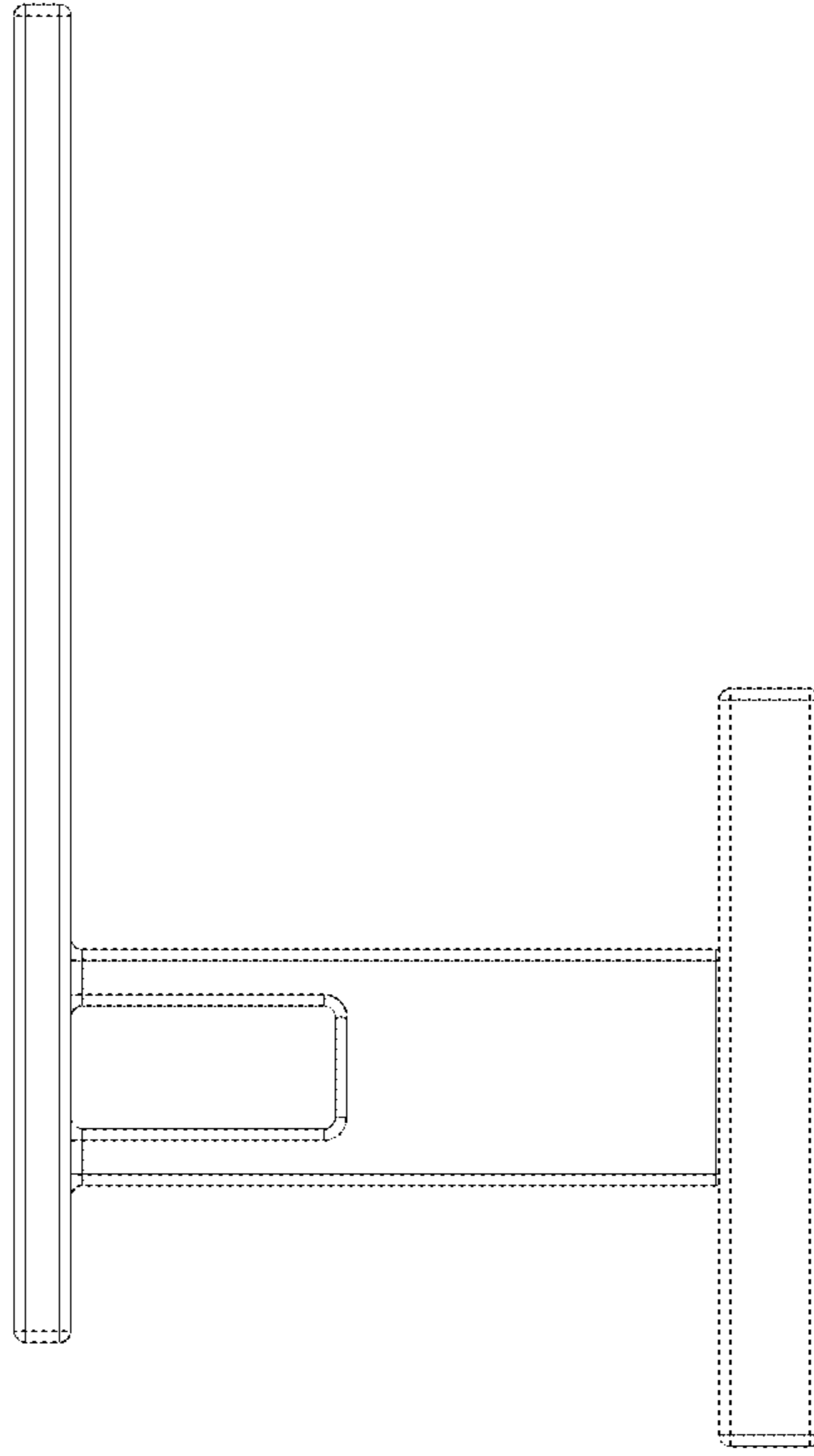


Fig.6

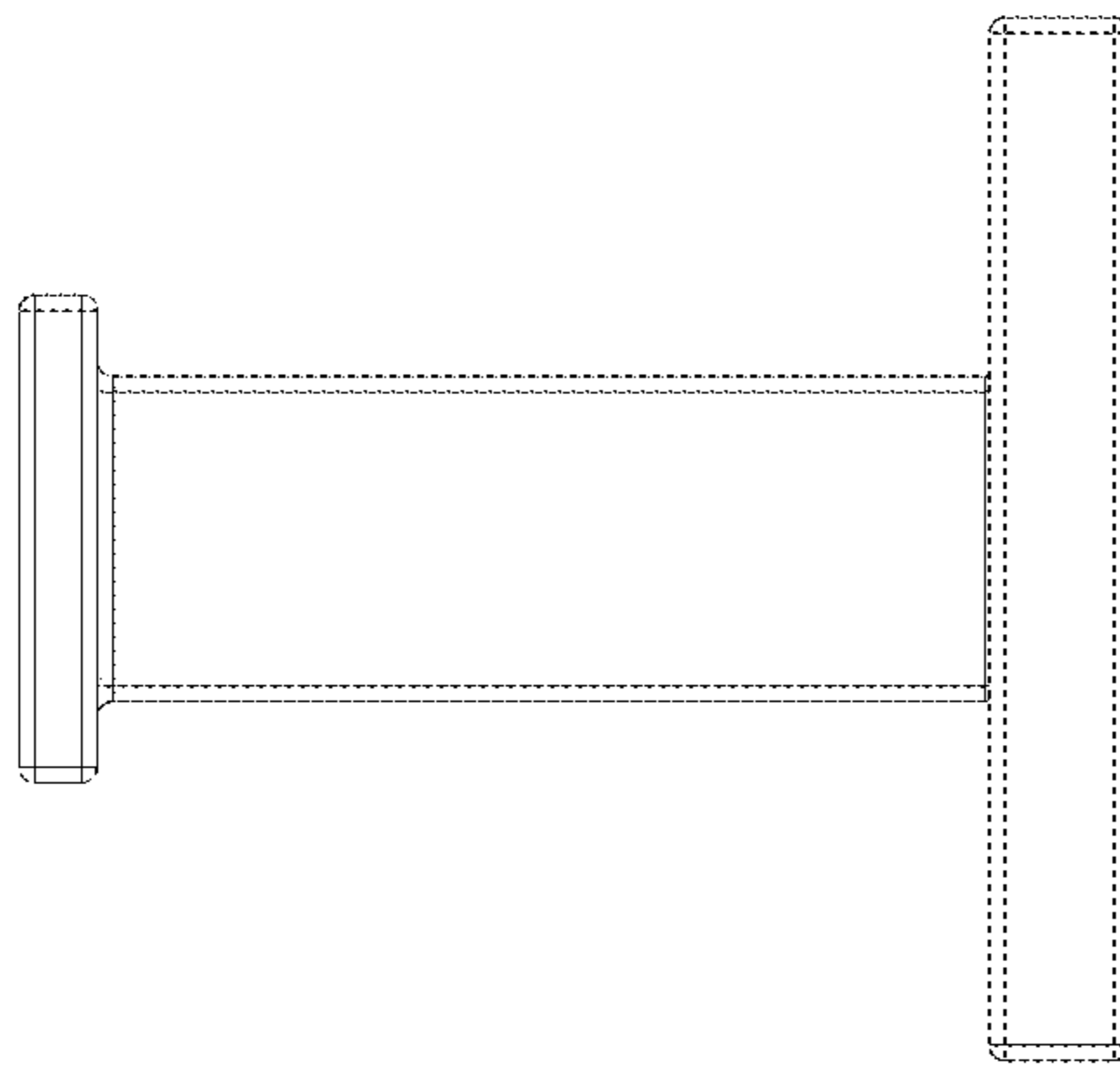


Fig.5

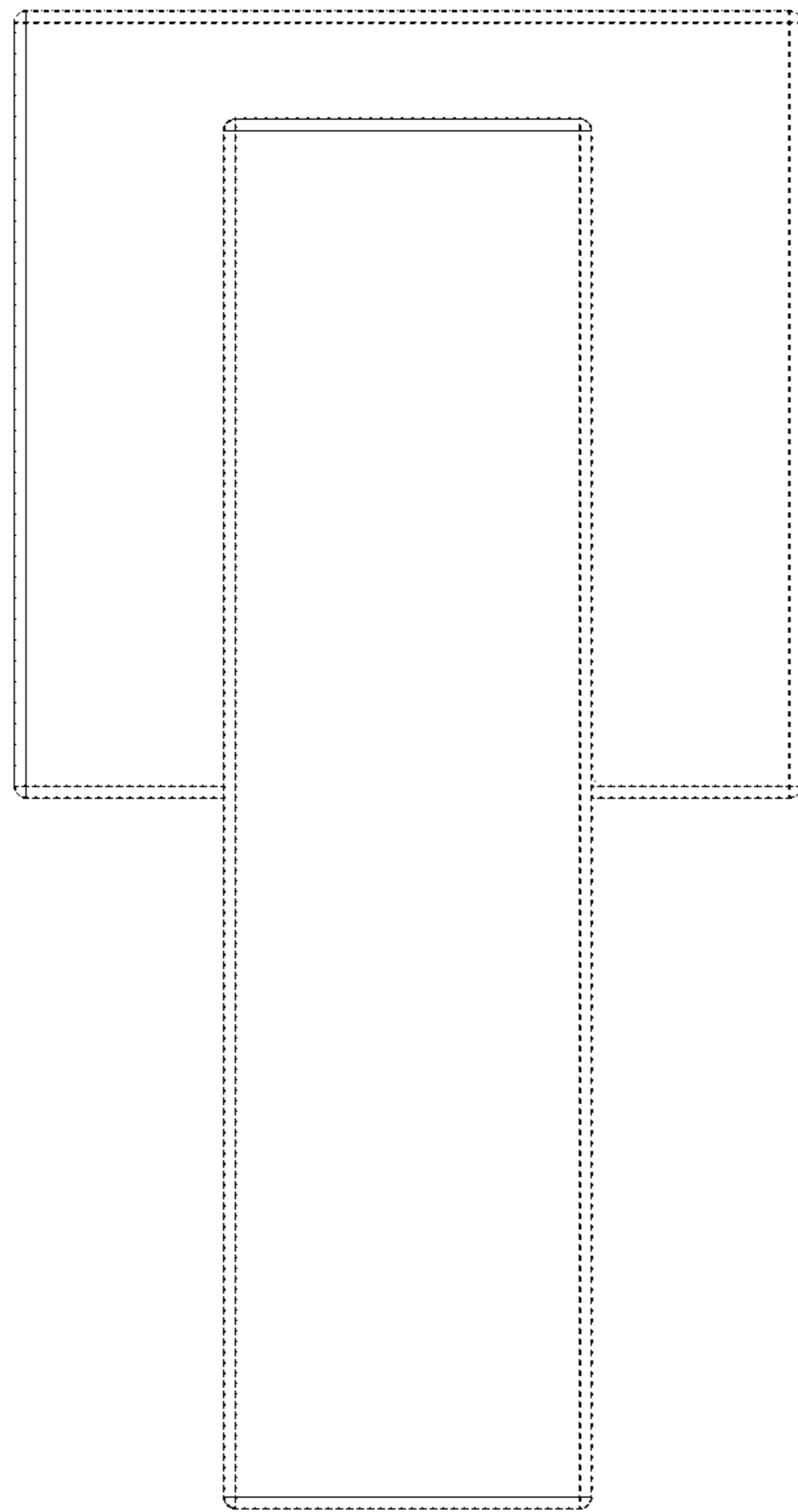


Fig.7