



US00D919763S

(12) **United States Design Patent**
Garvey et al.

(10) **Patent No.:** **US D919,763 S**

(45) **Date of Patent:** **** May 18, 2021**

(54) **BALANCED VALVE SEAT**

(71) Applicant: **VRG Controls, LLC**, Lake Zurich, IL (US)

(72) Inventors: **James M. Garvey**, Wheaton, IL (US);
Vladimir Rimboym, Highland Park, IL (US)

(73) Assignee: **VRG Controls, LLC**, Lake Zurich, IL (US)

(**) Term: **15 Years**

(21) Appl. No.: **29/708,613**

(22) Filed: **Oct. 8, 2019**

(51) **LOC (13) Cl.** **23-01**

(52) **U.S. Cl.**
USPC **D23/249**

(58) **Field of Classification Search**
USPC D23/233, 249, 269
CPC F01L 3/22; F01L 3/20; F01L 3/06; F01L 3/08; F16K 1/42; F16K 15/026; F16K 1/36; F16K 15/021; F16K 3/0227; F16K 5/0668; F16K 5/0673; F16K 5/0663; F04B 53/1087; F04B 53/10

See application file for complete search history.

(56) **References Cited**

U.S. PATENT DOCUMENTS

D614,272 S * 4/2010 Henry D23/269
D700,682 S * 3/2014 Bayyouk D23/233
D710,977 S * 8/2014 Chen D23/259

9,109,732 B2 * 8/2015 Vu F16J 15/08
D748,228 S * 1/2016 Bayyouk D23/269
D787,029 S * 5/2017 Bayyouk D23/269
D856,498 S * 8/2019 Bayyouk D23/269
D861,834 S * 10/2019 Foster D23/249
D873,967 S * 1/2020 Ozburn D23/249
D888,896 S * 6/2020 Ozburn D23/249

* cited by examiner

Primary Examiner — Gino Colan

(74) *Attorney, Agent, or Firm* — Bishop, Diehl & Lee, Ltd.

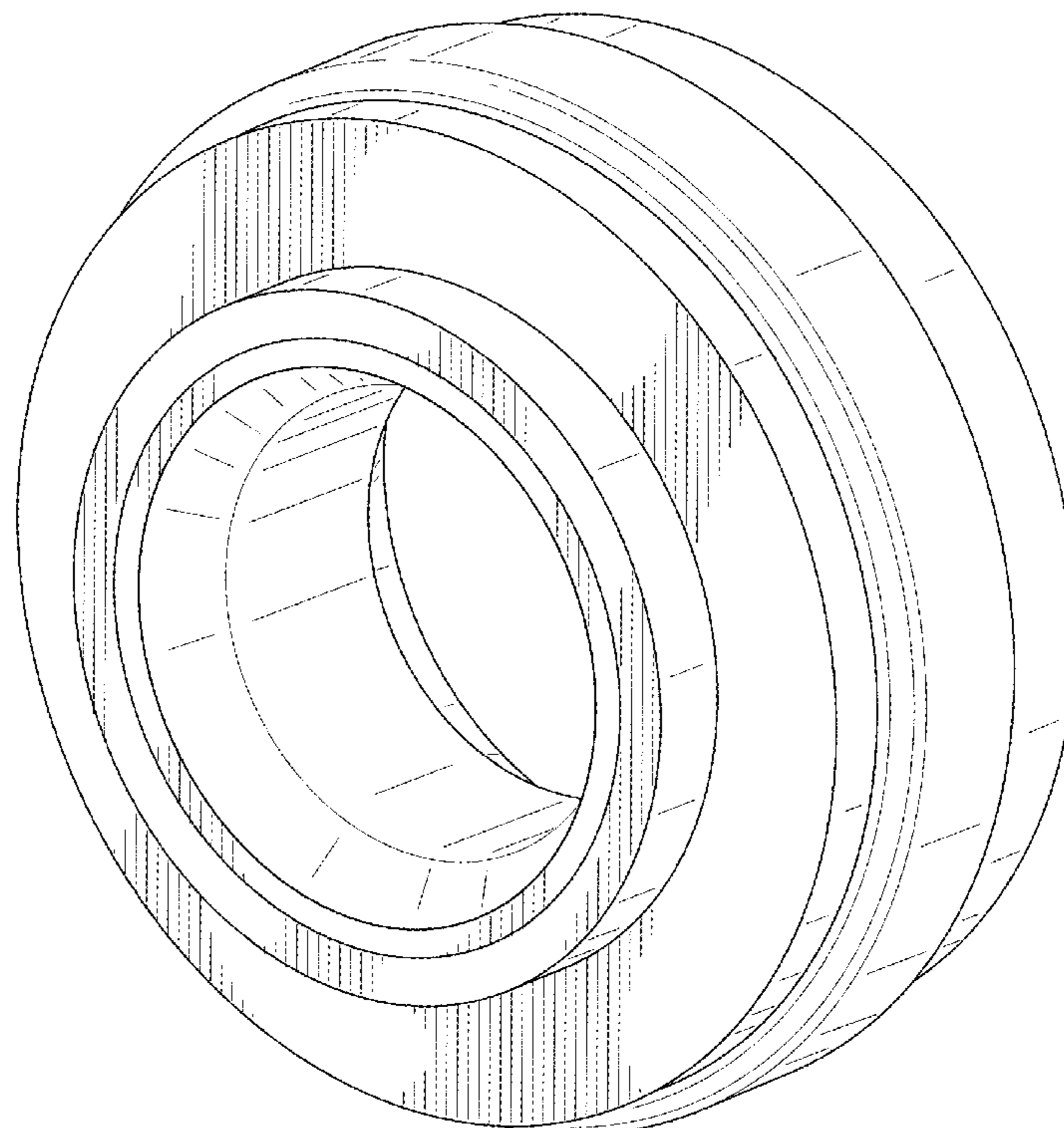
(57) **CLAIM**

The ornamental design for a balance valve seat, as shown and described.

DESCRIPTION

FIG. 1 is an elevated isometric view of a balance valve seat showing our new design;
FIG. 2 is a front view of the balance valve seat as shown in FIG. 1;
FIG. 3 is a rear view of the balance valve seat as shown in FIG. 1;
FIG. 4 is a right side view of the balance valve seat shown in FIG. 1;
FIG. 5 is a left side view of the balance valve seat shown in FIG. 1;
FIG. 6 is a top view of the balance valve seat shown in FIG. 1; and
FIG. 7 is a bottom view of the balance valve seat shown in FIG. 1.

1 Claim, 5 Drawing Sheets



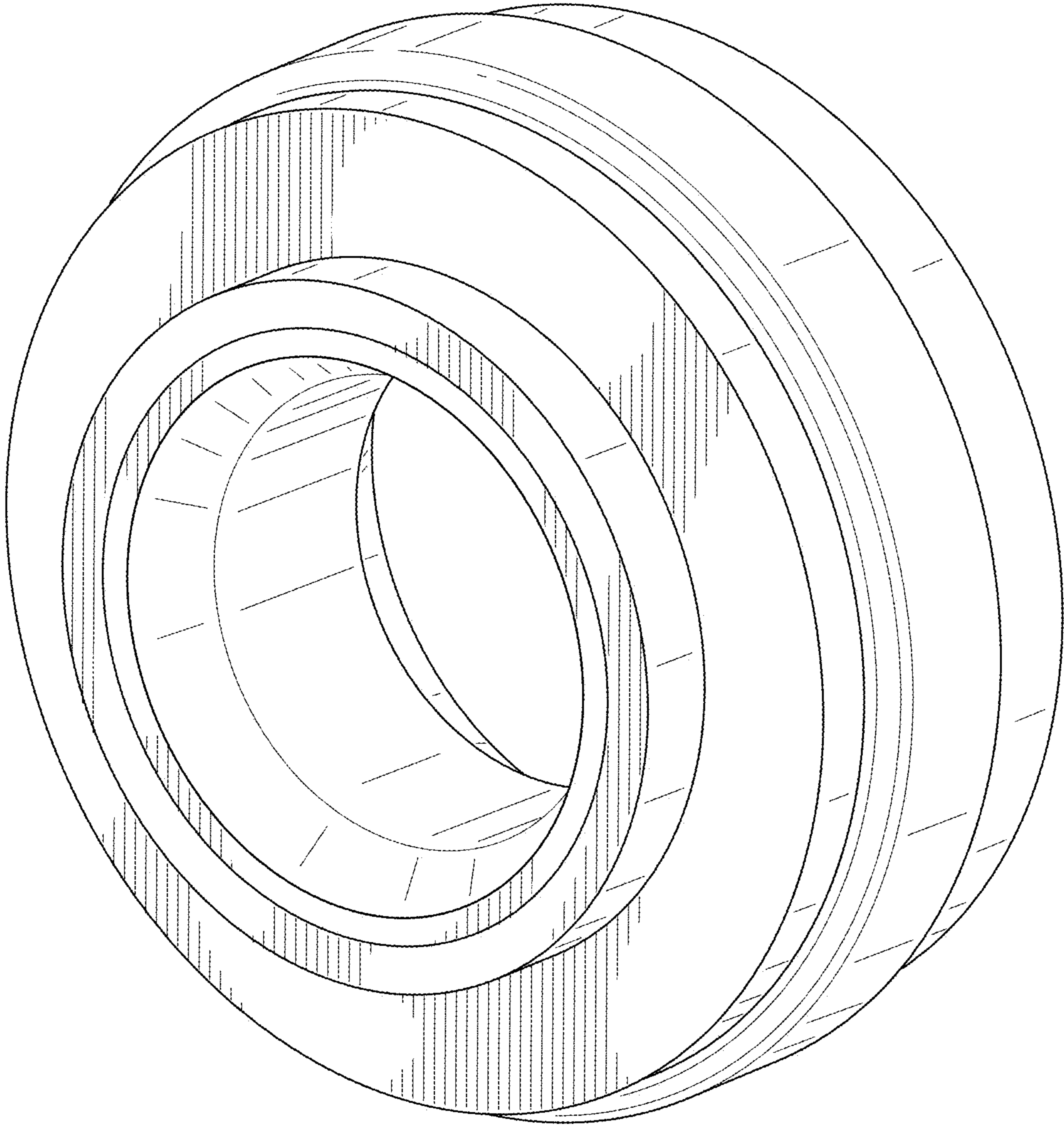


FIG. 1

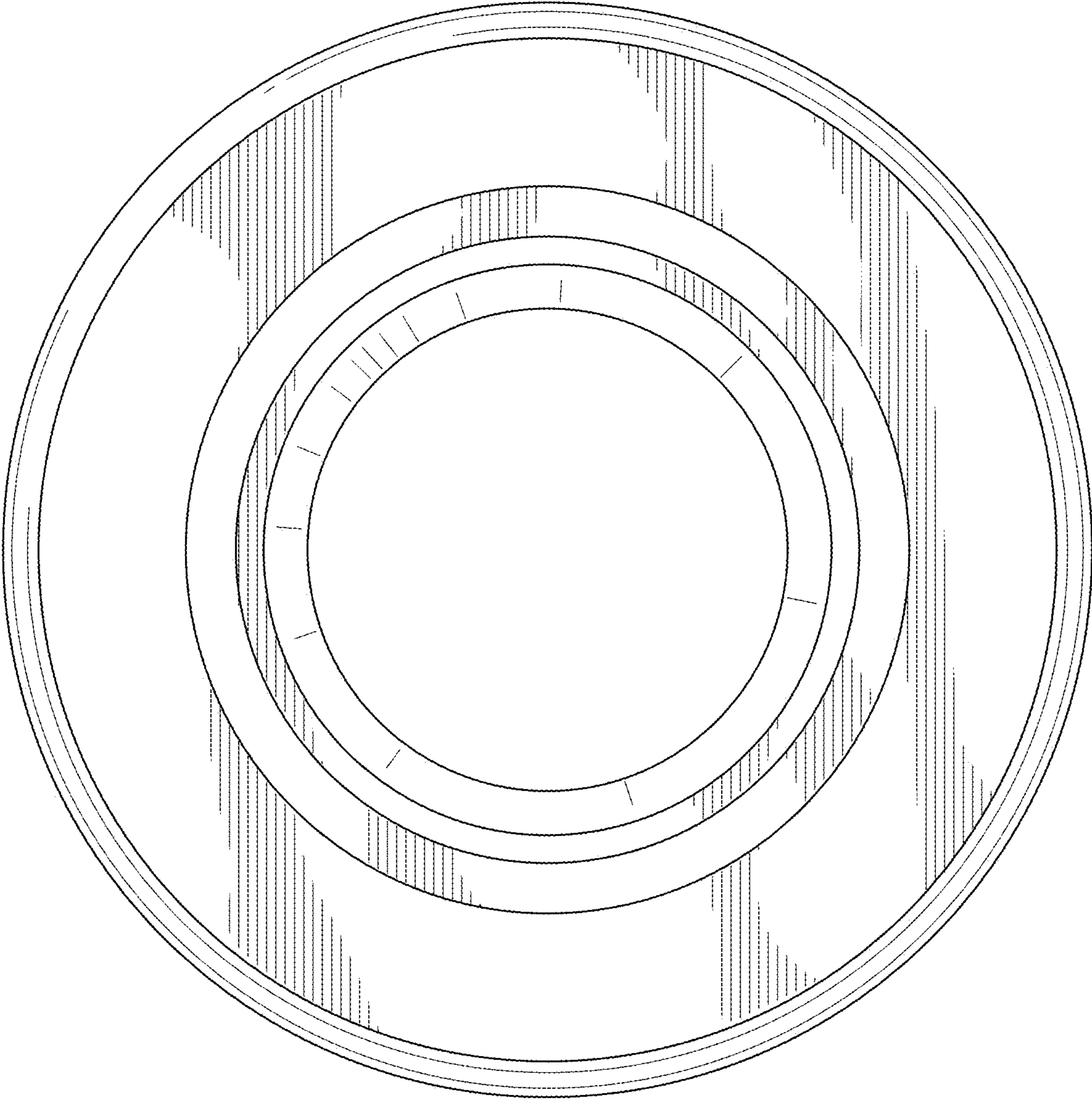


FIG. 2

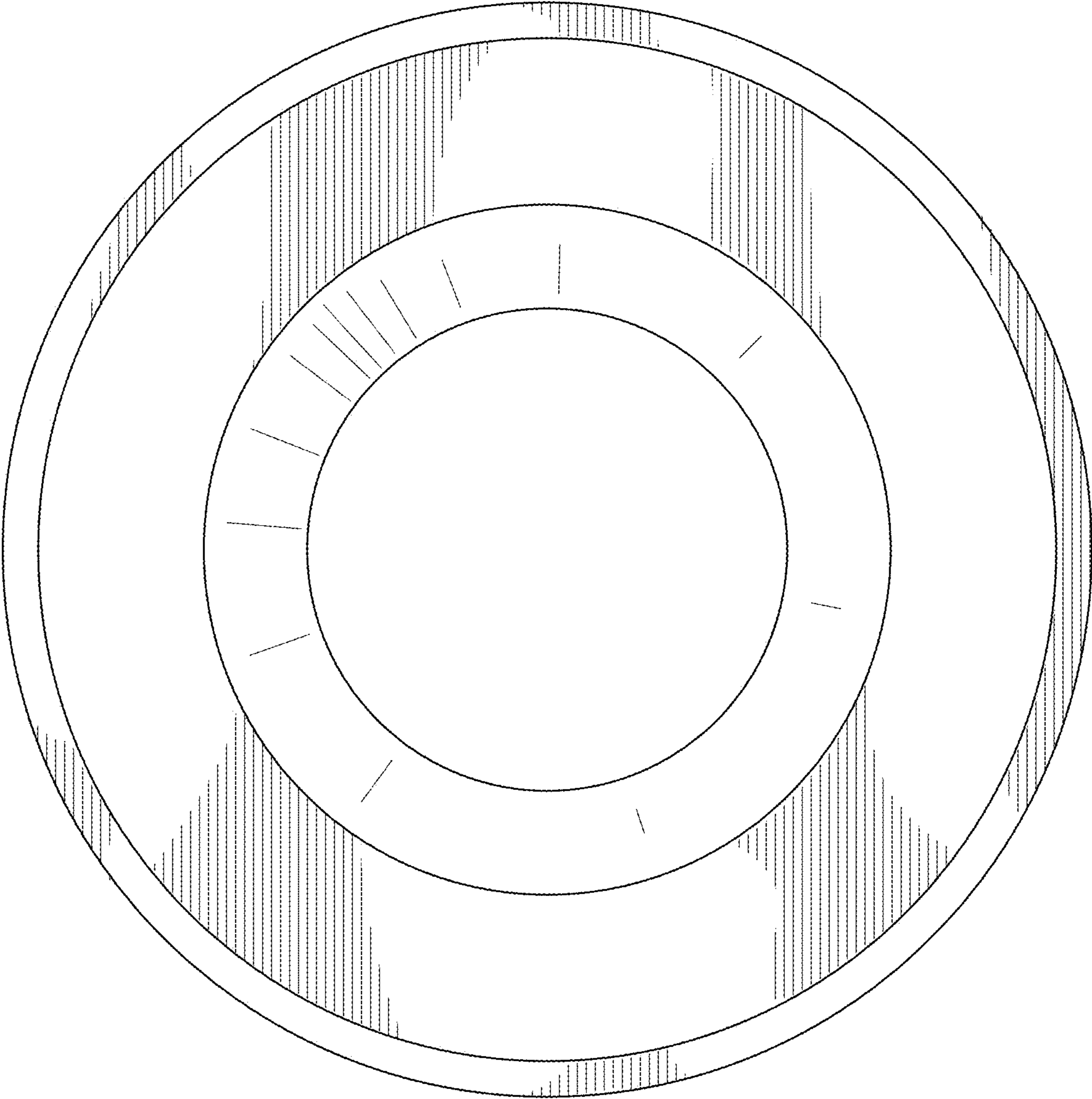


FIG. 3

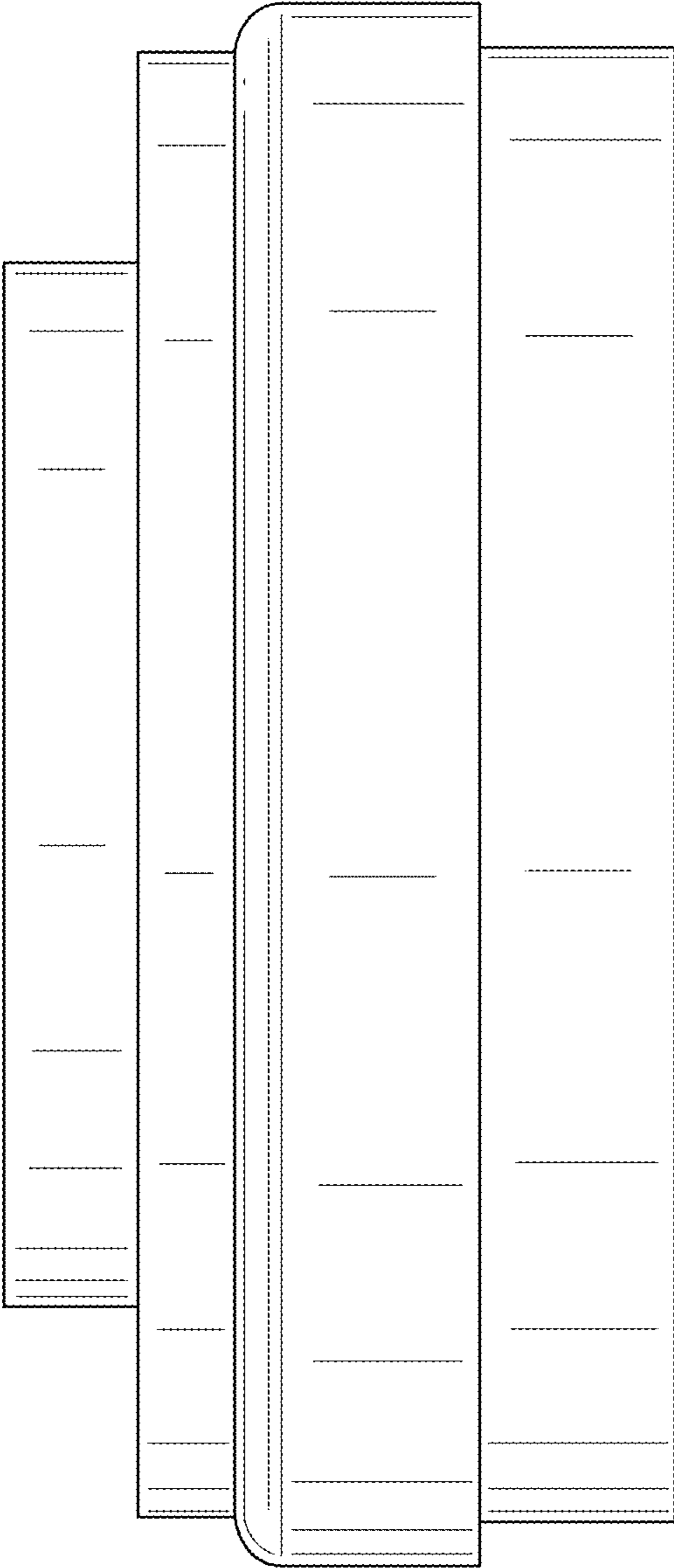


FIG. 4

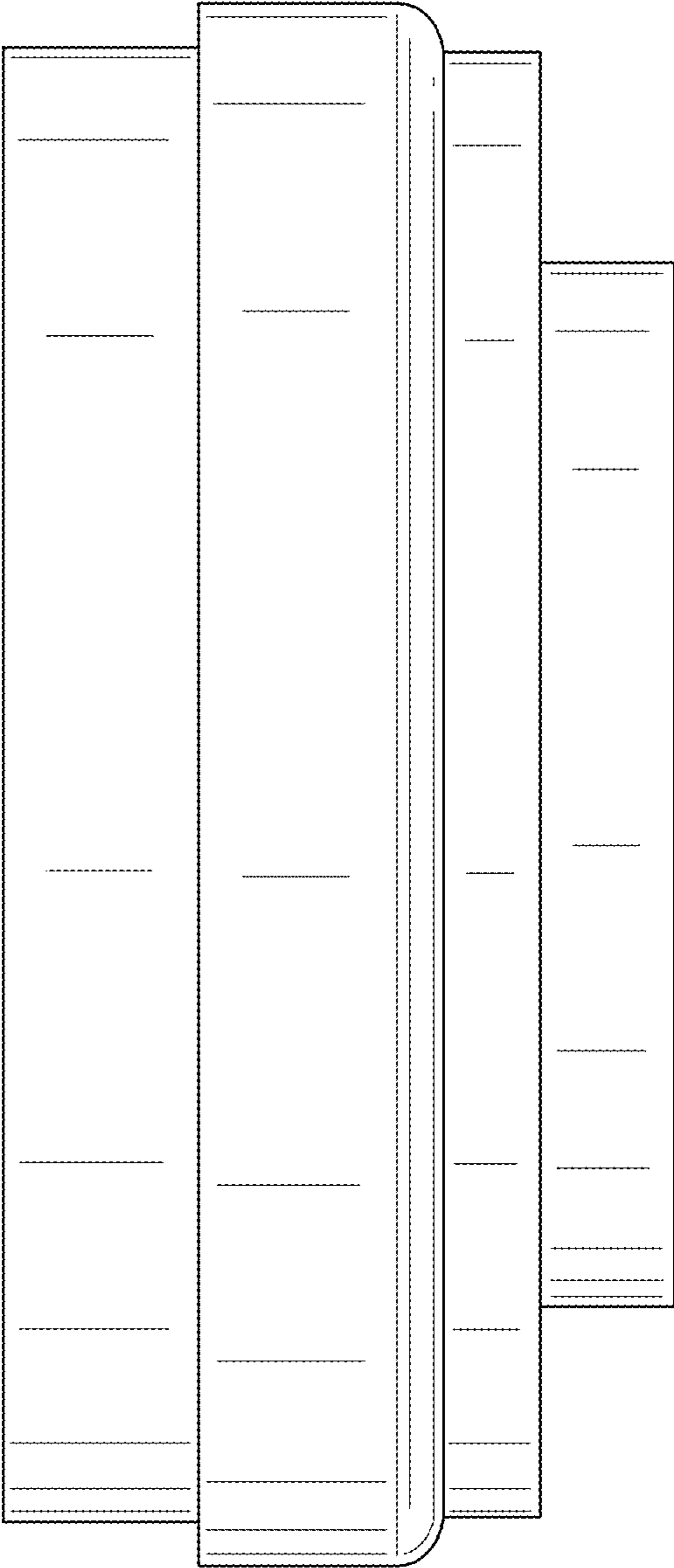


FIG. 5

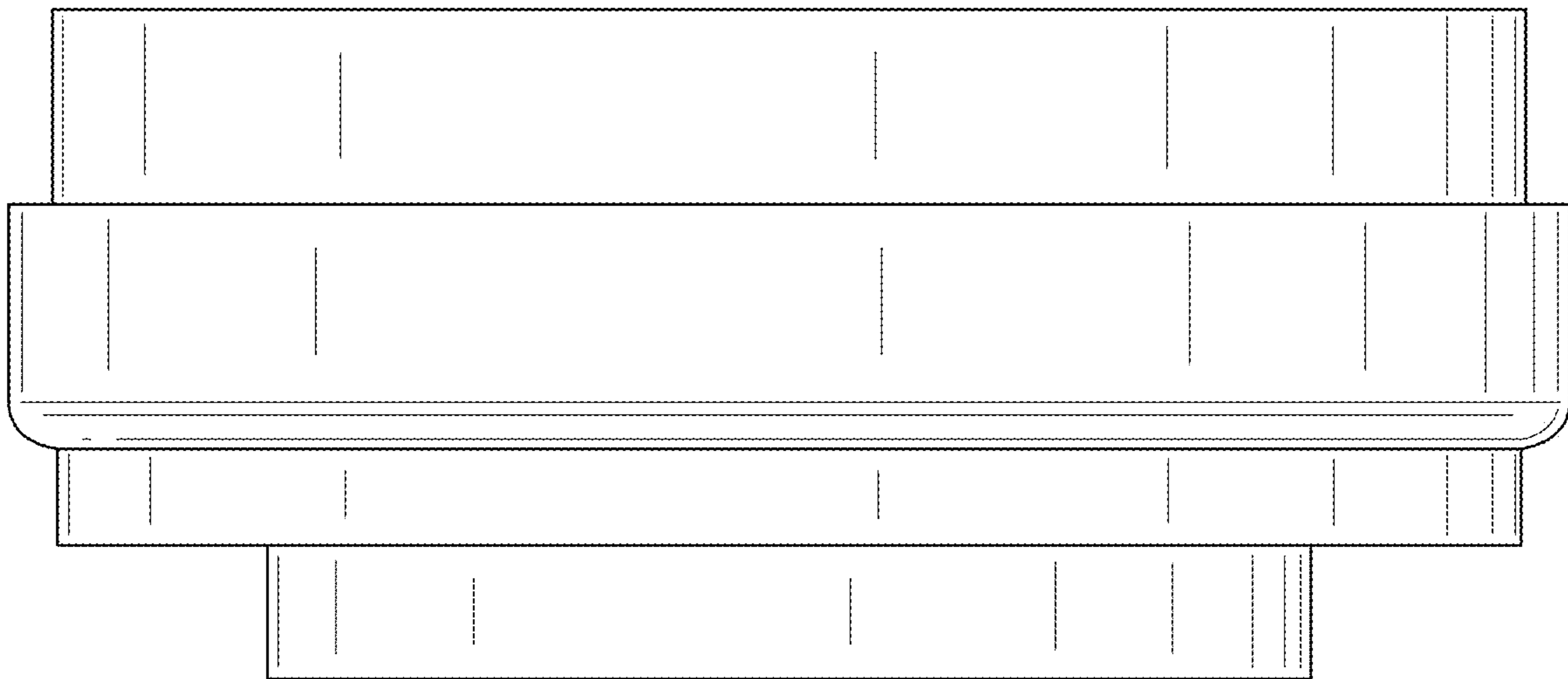


FIG. 6

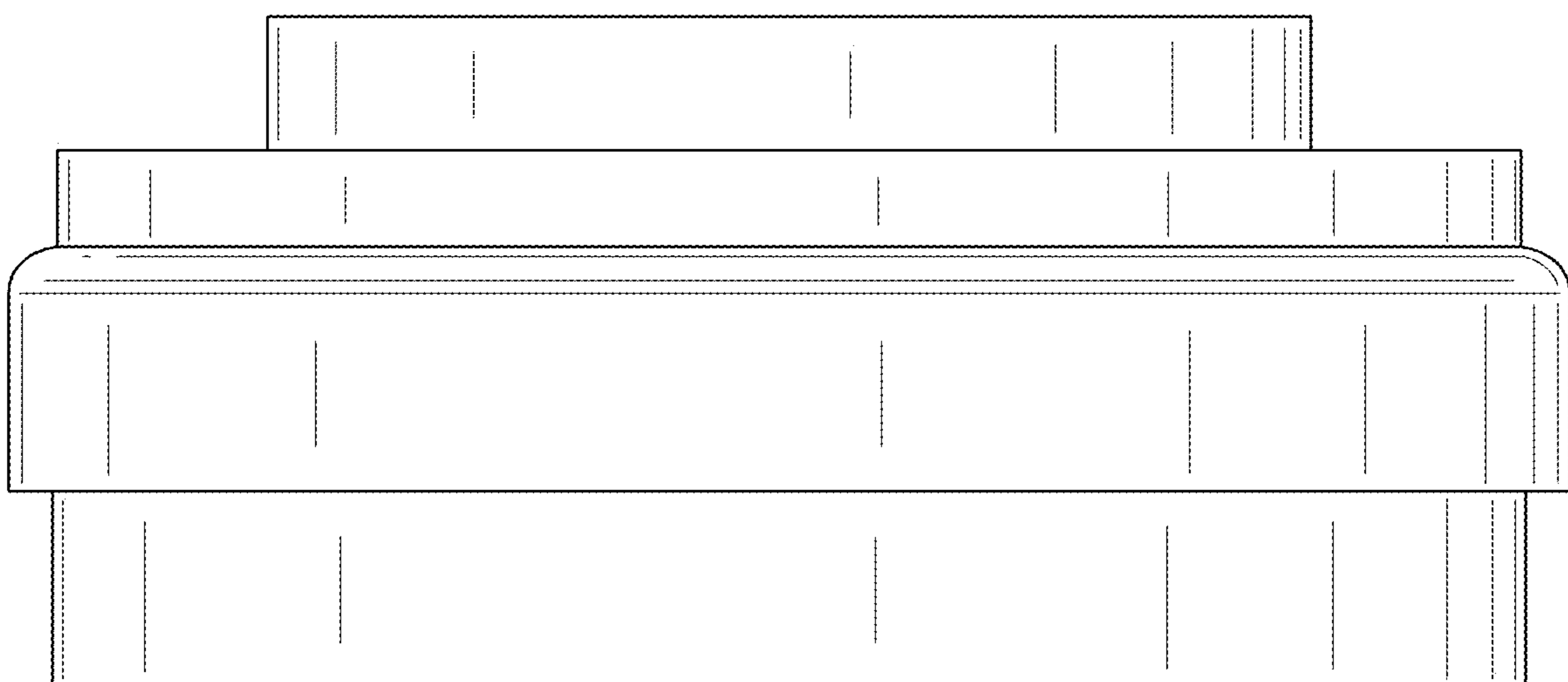


FIG. 7