



US00D919761S

(12) **United States Design Patent**
Zhu

(10) **Patent No.:** **US D919,761 S**

(45) **Date of Patent:** **** *May 18, 2021**

(54) **FAUCET BODY**

(71) Applicant: **Hansgrohe SE**, Schiltach (DE)

(72) Inventor: **Chuanbao Zhu**, Fujian (CN)

(73) Assignee: **Hansgrohe SE**, Schiltach (DE)

(*) Notice: This patent is subject to a terminal disclaimer.

(**) Term: **15 Years**

(21) Appl. No.: **29/700,688**

(22) Filed: **Aug. 5, 2019**

(30) **Foreign Application Priority Data**

Feb. 20, 2019 (EM) 006262440-0012

(51) **LOC (13) Cl.** **23-01**

(52) **U.S. Cl.**
USPC **D23/249**

(58) **Field of Classification Search**

USPC D23/238, 239, 240, 241, 242, 243, 249,
D23/255, 256, 257; D6/524

CPC E03C 1/04; E03C 1/0401; E03C 1/0402;
E03C 1/0404; E03C 1/0405; E03C
1/0412; Y10T 137/9464

See application file for complete search history.

(56) **References Cited**

U.S. PATENT DOCUMENTS

D580,017 S * 11/2008 Yegyayan D23/238
D585,112 S * 1/2009 Kohler, Jr. D23/238

D594,533 S * 6/2009 Schoenherr D23/238
D625,780 S * 10/2010 Soriano D23/255
D645,937 S * 9/2011 Sedwick D23/238
8,899,259 B2 * 12/2014 Jonte E03C 1/0402
137/315.12
D761,392 S * 7/2016 Hanna D23/255
D800,260 S * 10/2017 Fritz D23/238
D810,882 S * 2/2018 Bahler D23/249
D828,513 S * 9/2018 Rashid D23/238
D865,130 S * 10/2019 Eads D23/249
D867,535 S * 11/2019 Chen D23/238
D873,385 S * 1/2020 Tentler D23/257

* cited by examiner

Primary Examiner — John A Voytek

(74) *Attorney, Agent, or Firm* — Lora J. Graentzdoerffer

(57) **CLAIM**

The ornamental design for a faucet body, as shown and described.

DESCRIPTION

FIG. 1 is a perspective view of a faucet body showing my design;

FIG. 2 is a front elevation view;

FIG. 3 is a rear elevation view;

FIG. 4 is a side elevation view;

FIG. 5 is a top plan view; and,

FIG. 6 is a bottom plan view.

The broken-line disclosures in the view represents portions of the faucet body in which the claimed design is embodied, but which forms no part of the claimed design.

1 Claim, 6 Drawing Sheets

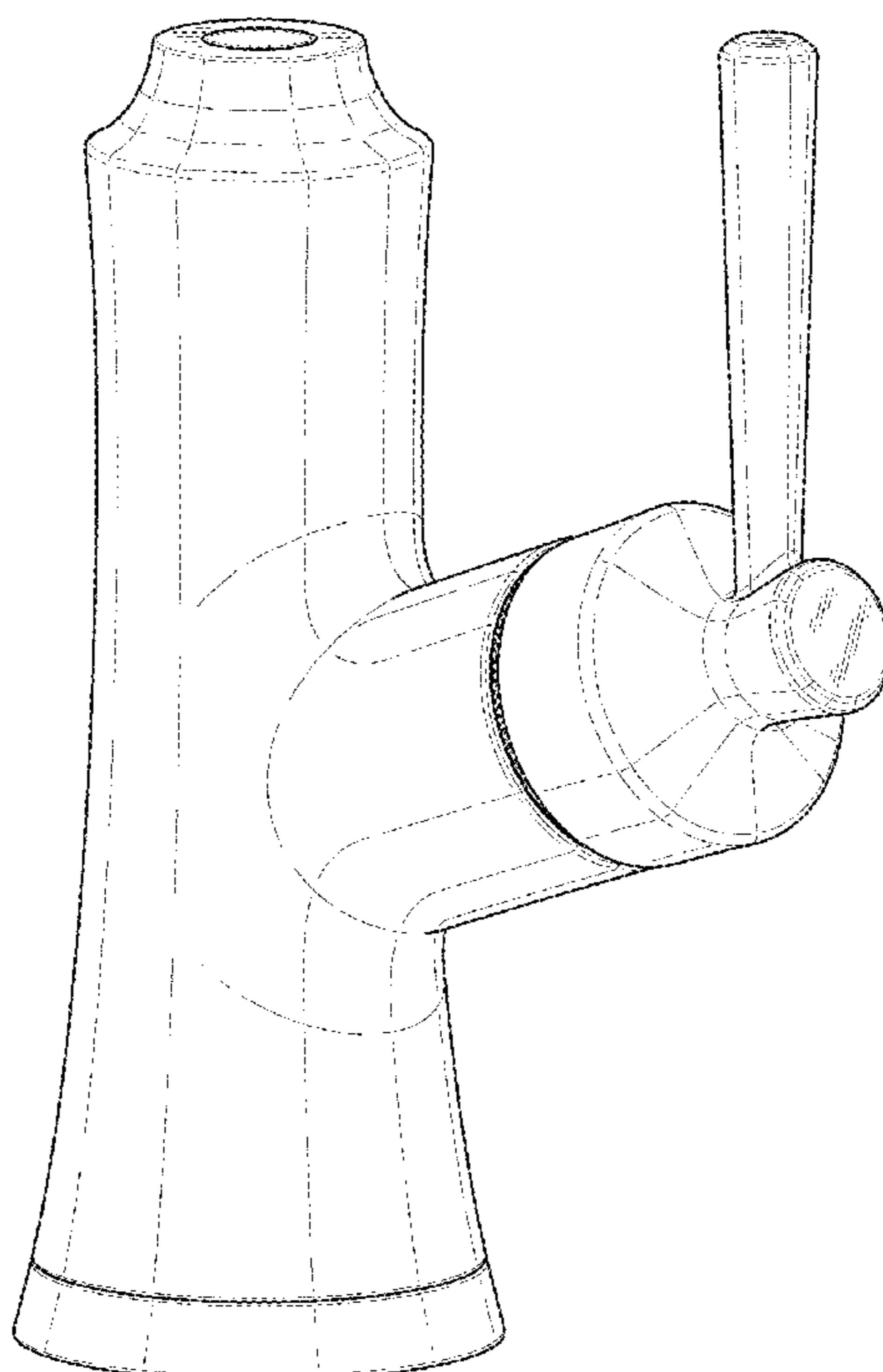


FIG. 1

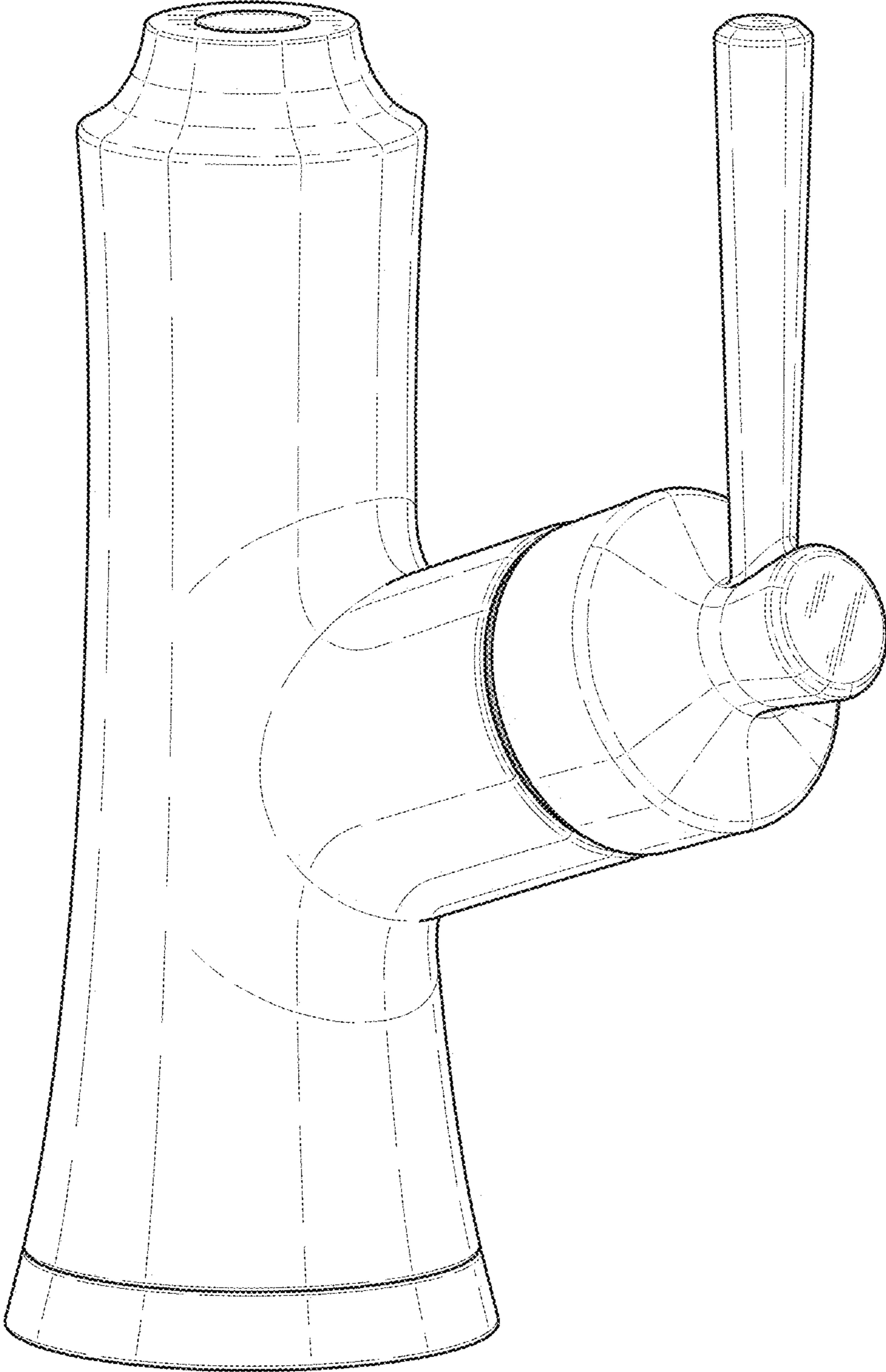


FIG. 2

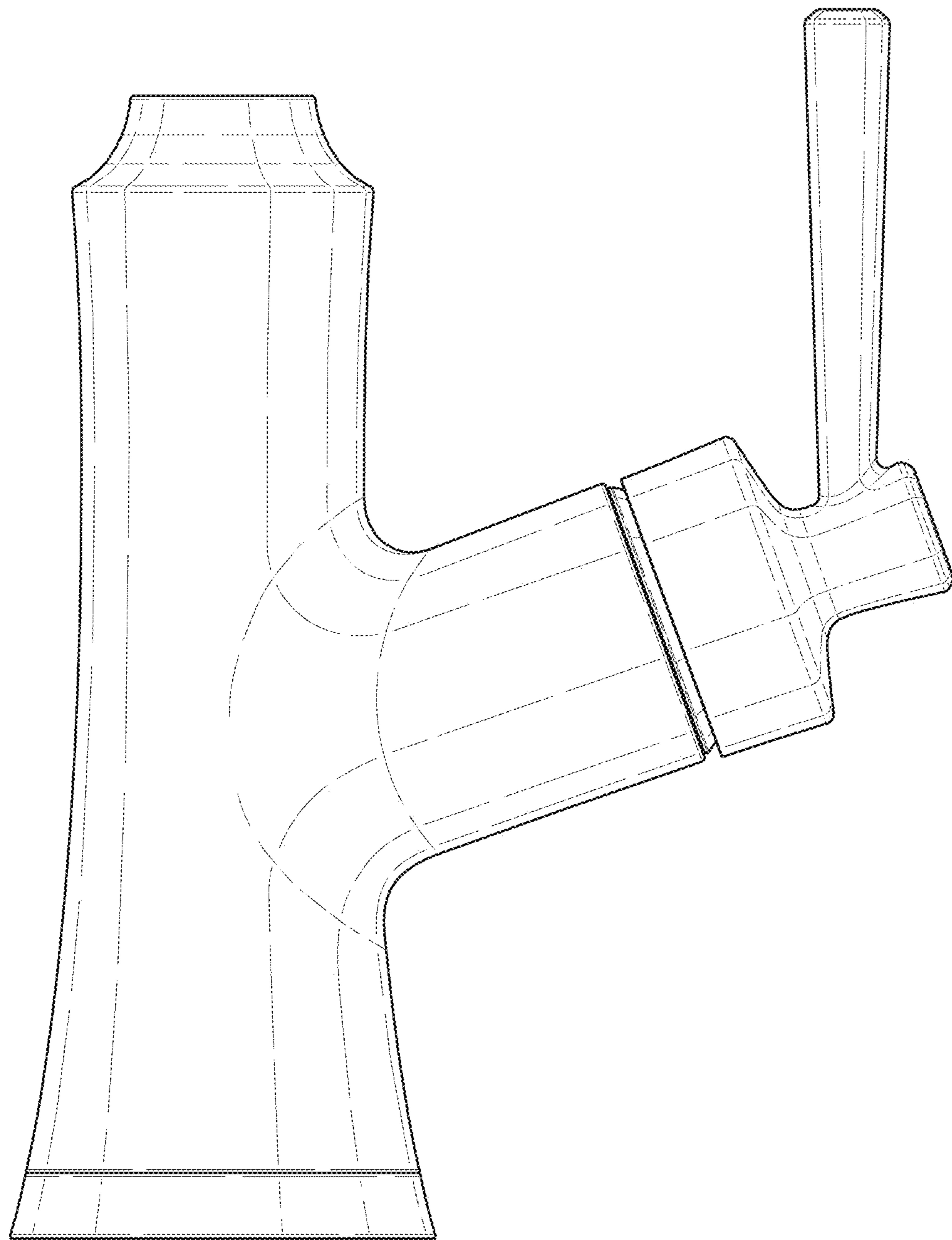


FIG. 3

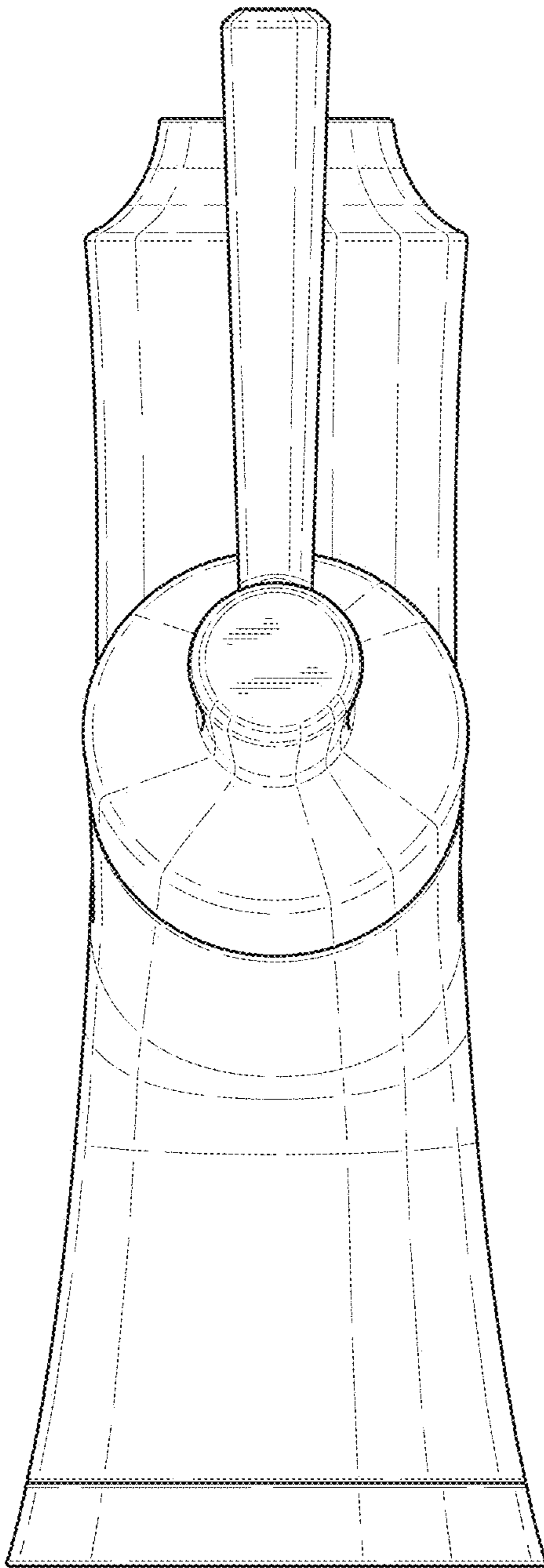


FIG. 4

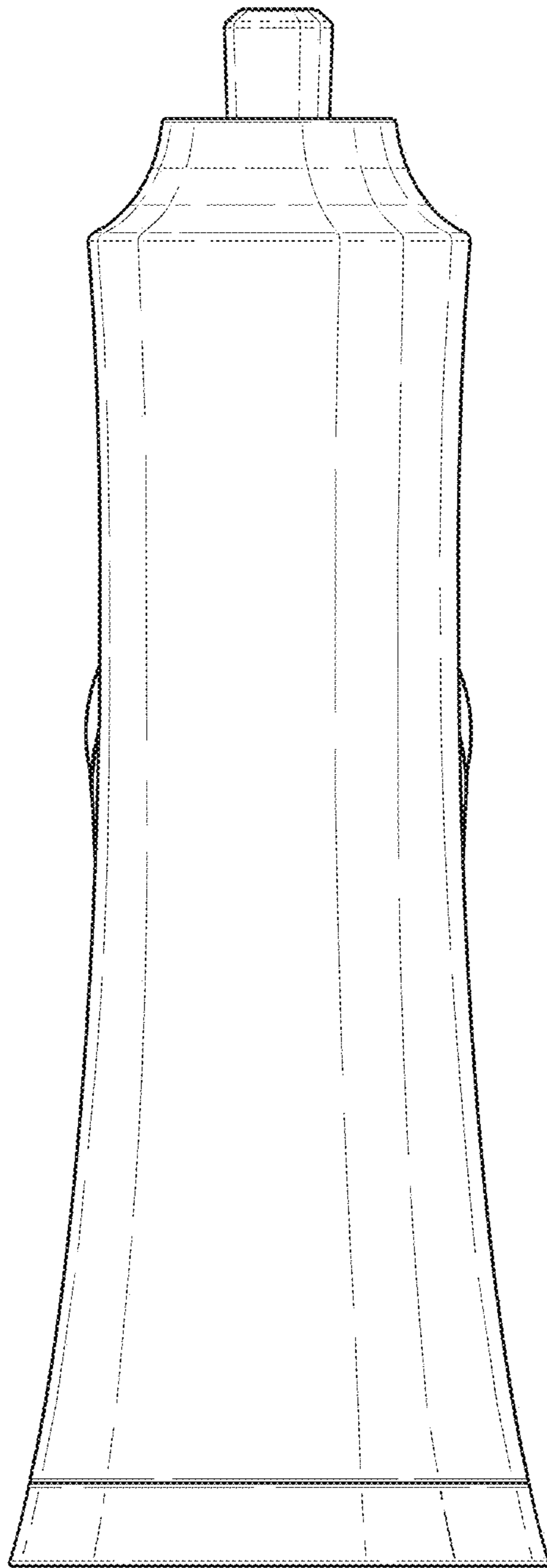


FIG. 5

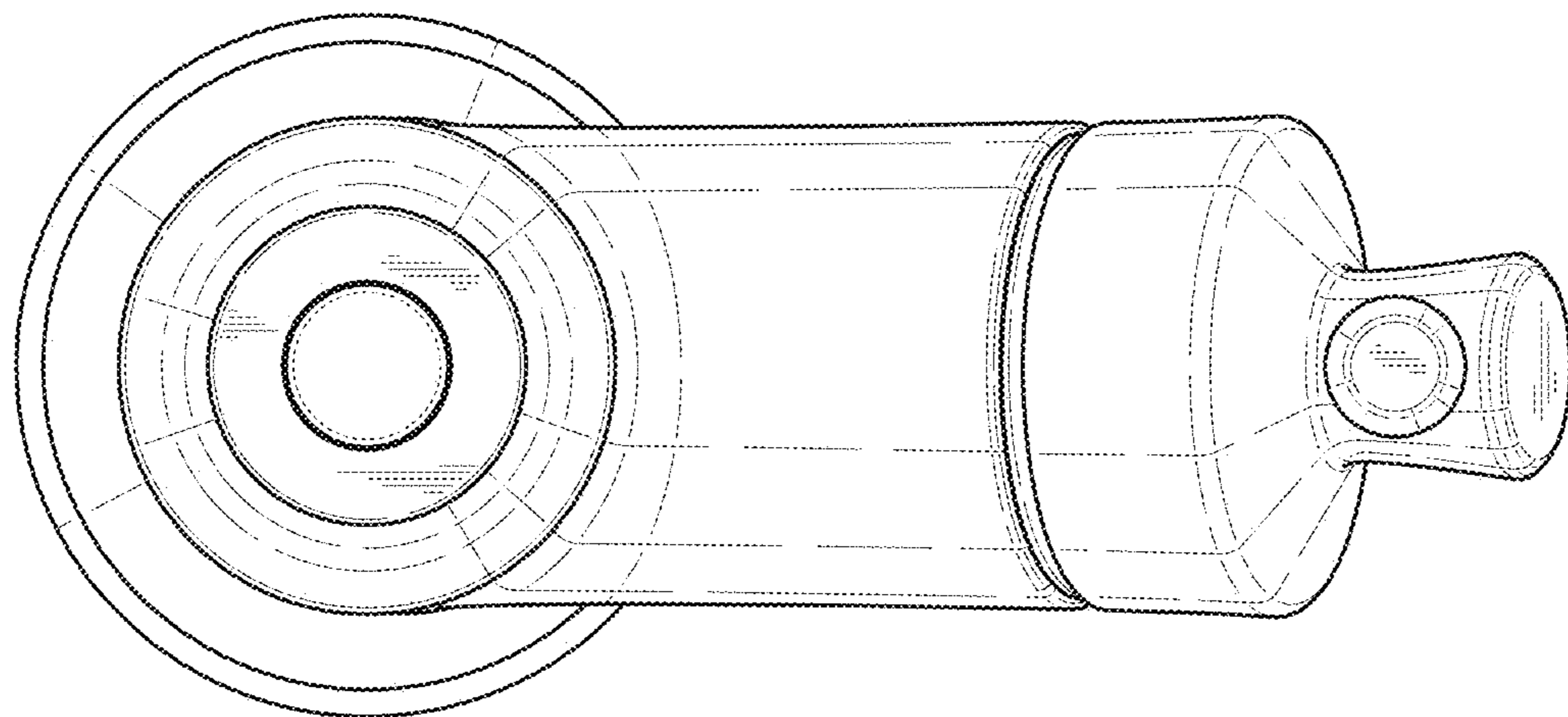


FIG. 6

