



US00D919760S

(12) **United States Design Patent**
Sun et al.

(10) **Patent No.:** **US D919,760 S**

(45) **Date of Patent:** **** May 18, 2021**

(54) **CONSTANT TEMPERATURE MIXER WITH TWO WATER OUTLETS**

D494,252 S * 8/2004 Kline D23/233
D849,936 S * 5/2019 Allard D24/129
D886,954 S * 6/2020 Gabriel D23/245

(71) Applicants: **Ruqi Sun**, Jilin (CN); **Junyi Sun**, Jilin (CN)

* cited by examiner

(72) Inventors: **Ruqi Sun**, Jilin (CN); **Junyi Sun**, Jilin (CN)

Primary Examiner — Gino Colan

(**) Term: **15 Years**

(57) **CLAIM**

(21) Appl. No.: **29/686,554**

The ornamental design for a constant temperature mixer with two water outlets, as shown and described.

(22) Filed: **Apr. 4, 2019**

(51) **LOC (13) Cl.** **23-01**

(52) **U.S. Cl.**
USPC **D23/245**

DESCRIPTION

(58) **Field of Classification Search**
USPC D23/233–237, 241–249; 137/599.12
CPC F16K 19/006; F16K 19/00; F16K 11/22;
F16K 31/002; F16K 11/0716; F16K 11/0746; F16K 31/605; F16K 11/14;
F16K 11/205; F16K 11/207
See application file for complete search history.

FIG. 1 is perspective view of a constant temperature mixer with two water outlets showing our new design;
FIG. 2 is another perspective view thereof;
FIG. 3 is a front view thereof;
FIG. 4 is a back view thereof;
FIG. 5 is a left view thereof;
FIG. 6 is a right view thereof;
FIG. 7 is a top view thereof; and,
FIG. 8 is a bottom view thereof.

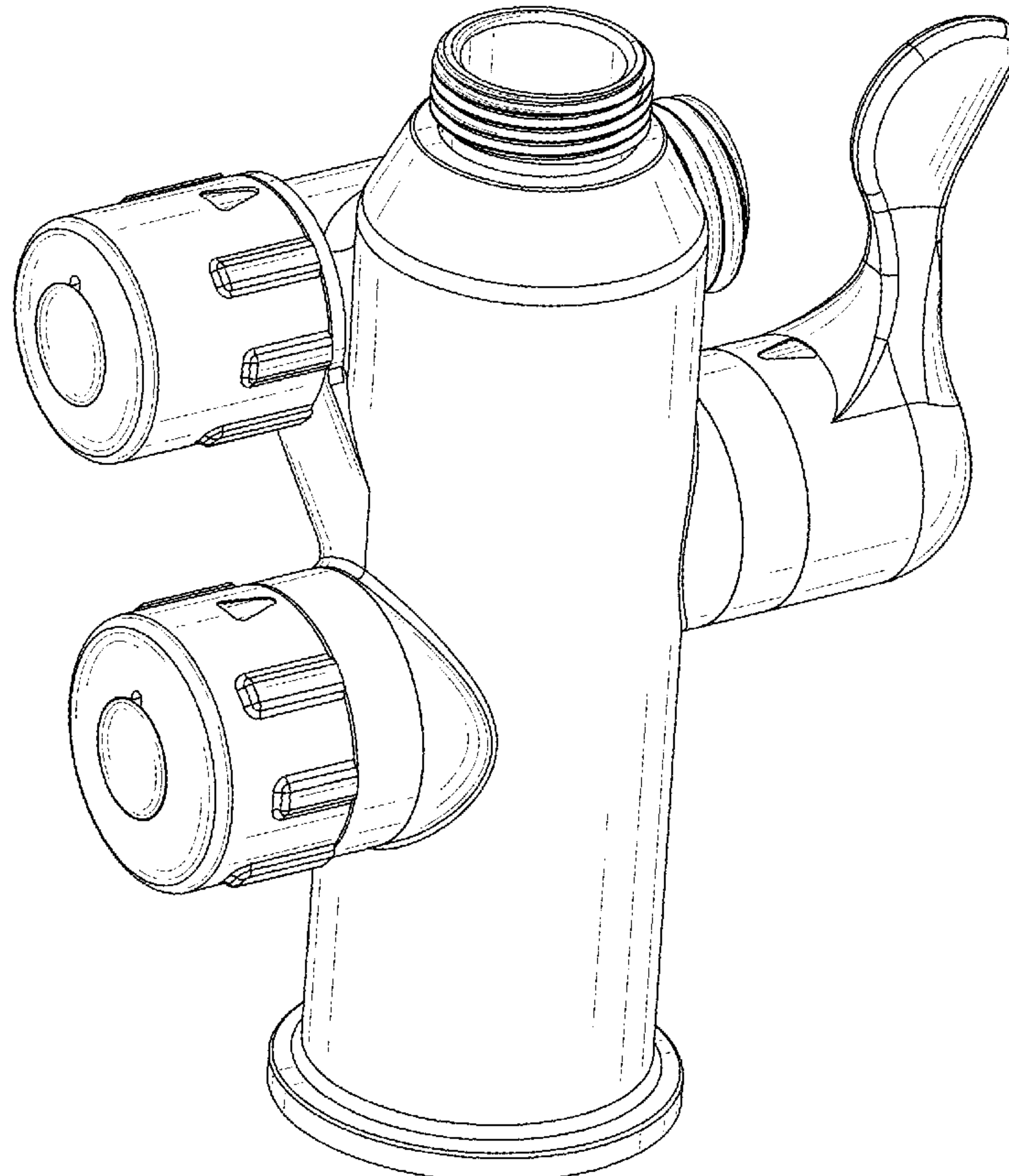
(56) **References Cited**

U.S. PATENT DOCUMENTS

4,466,457 A * 8/1984 Brane F16K 11/10
137/599.12
D445,879 S * 7/2001 Starck D23/241

The broken lines shown in the figures are for the purpose of illustrating portions of the constant temperature mixer with two water outlets and form no part of the claimed design.

1 Claim, 8 Drawing Sheets



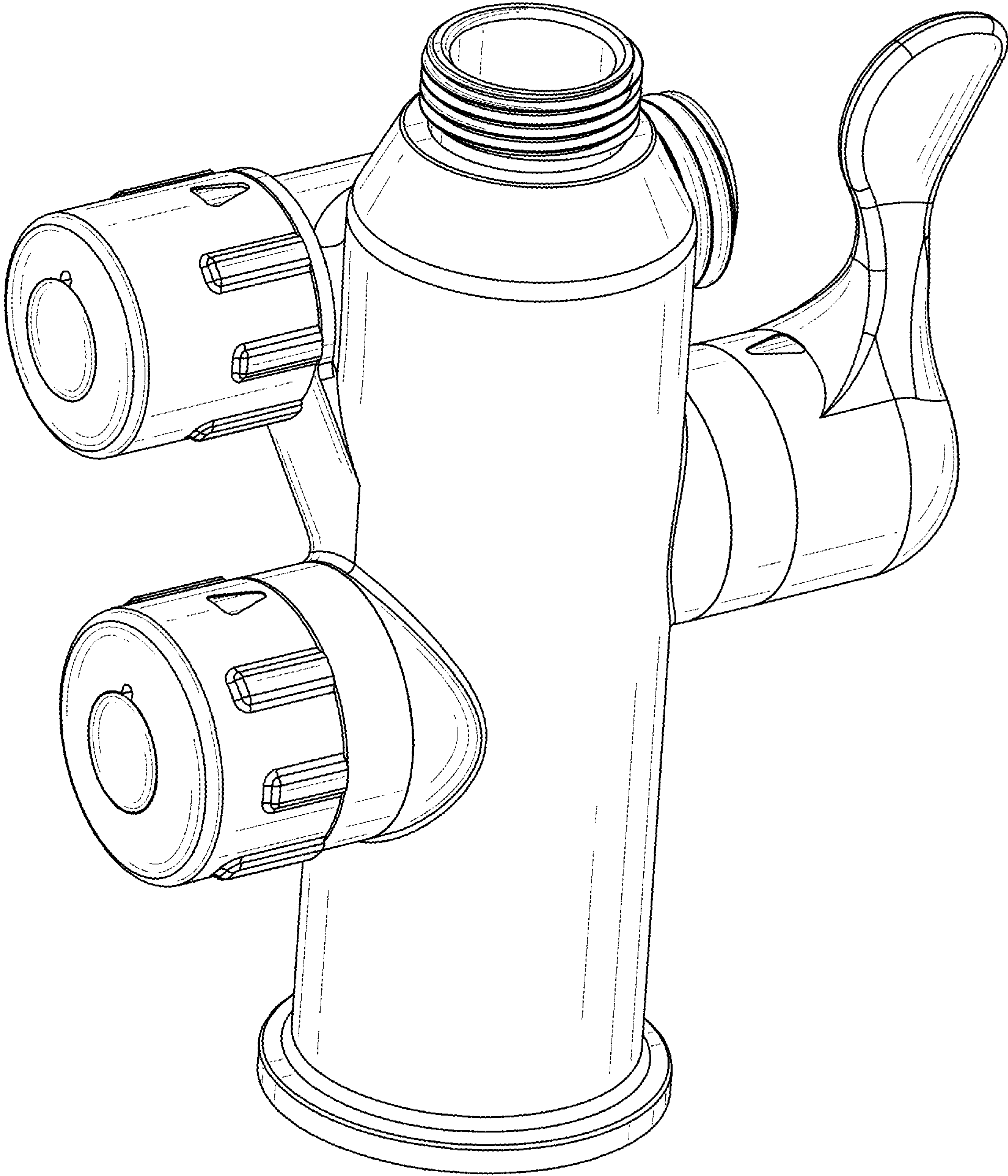


FIG. 1

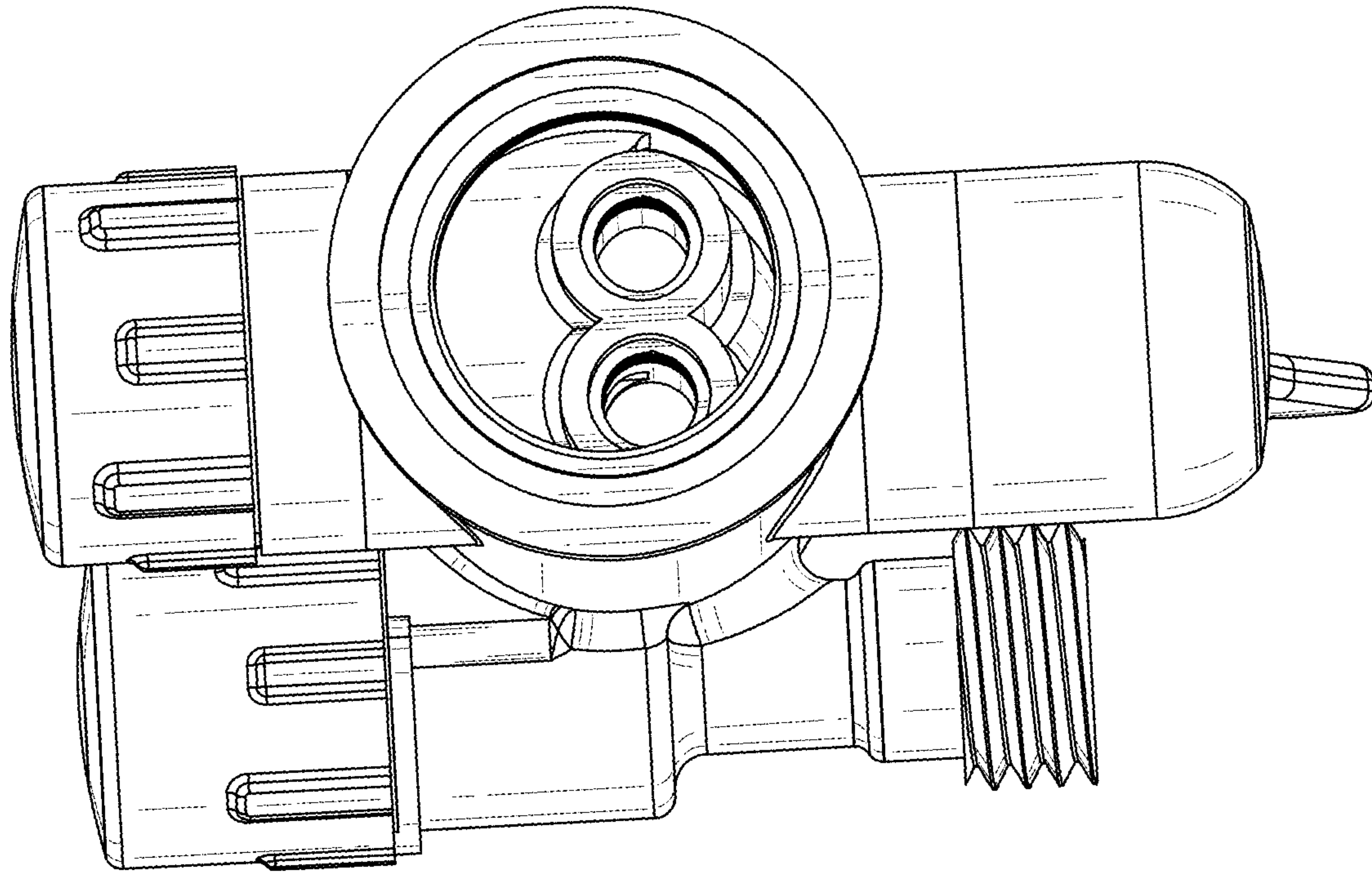


FIG. 2

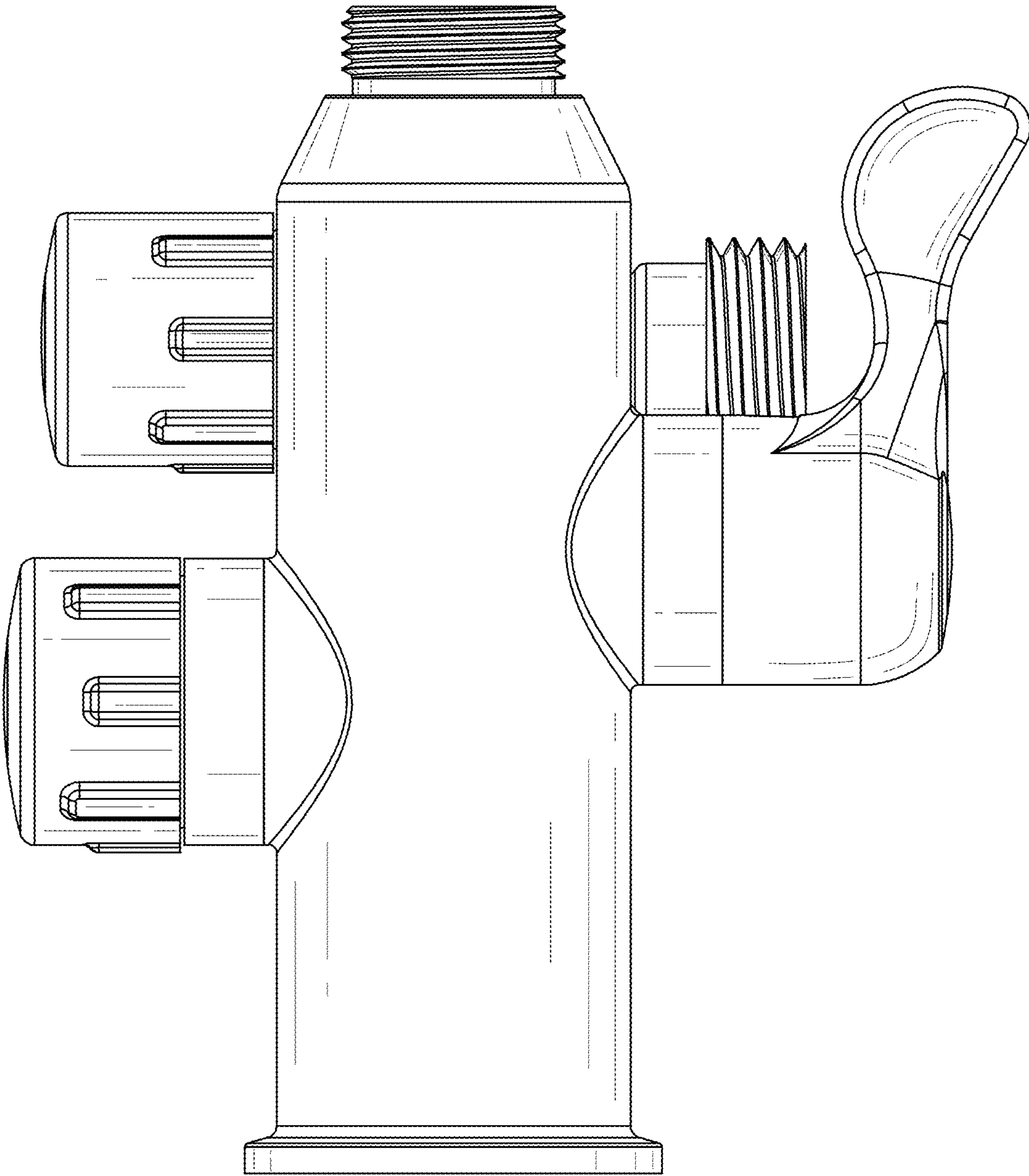


FIG. 3

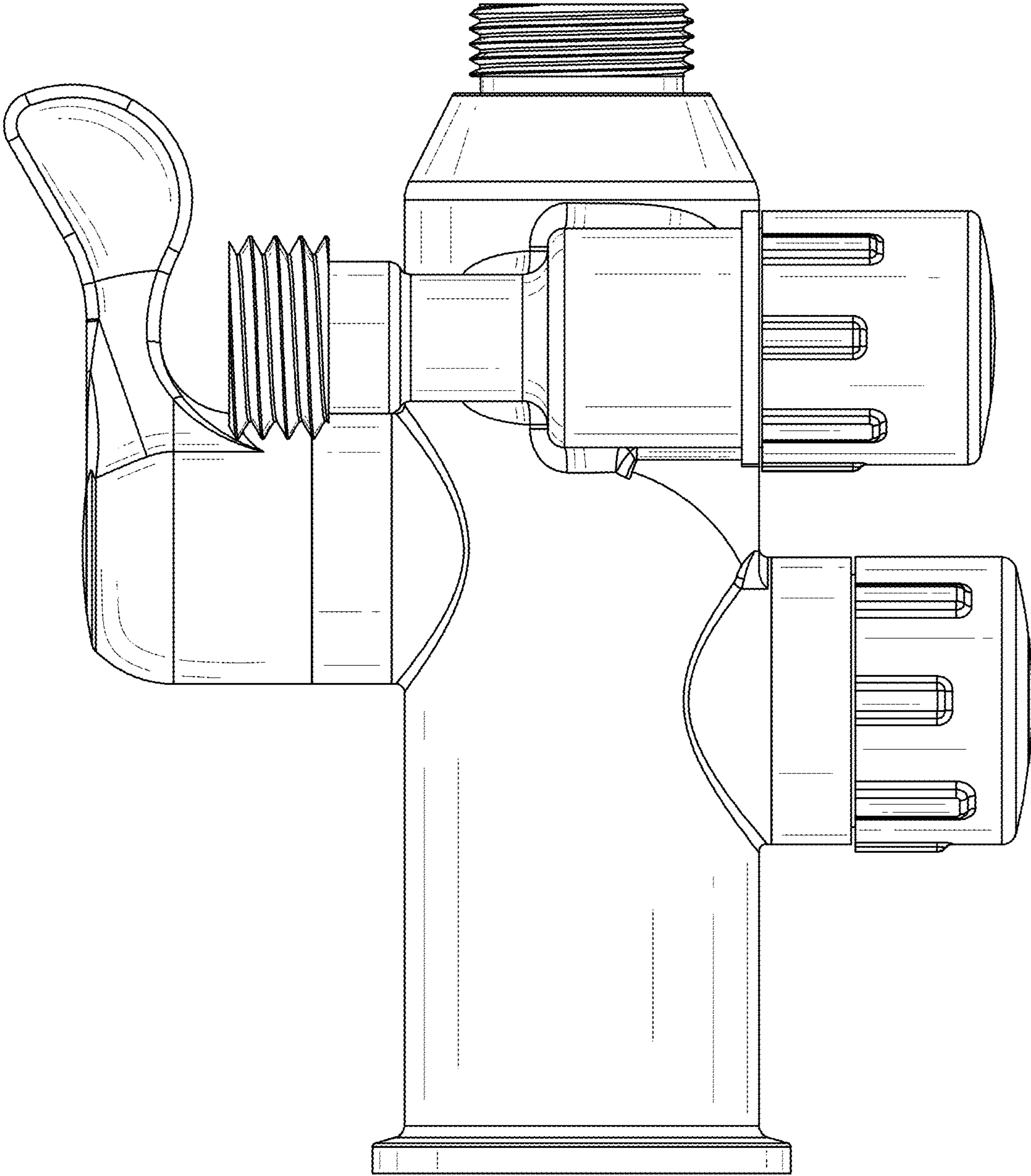


FIG. 4

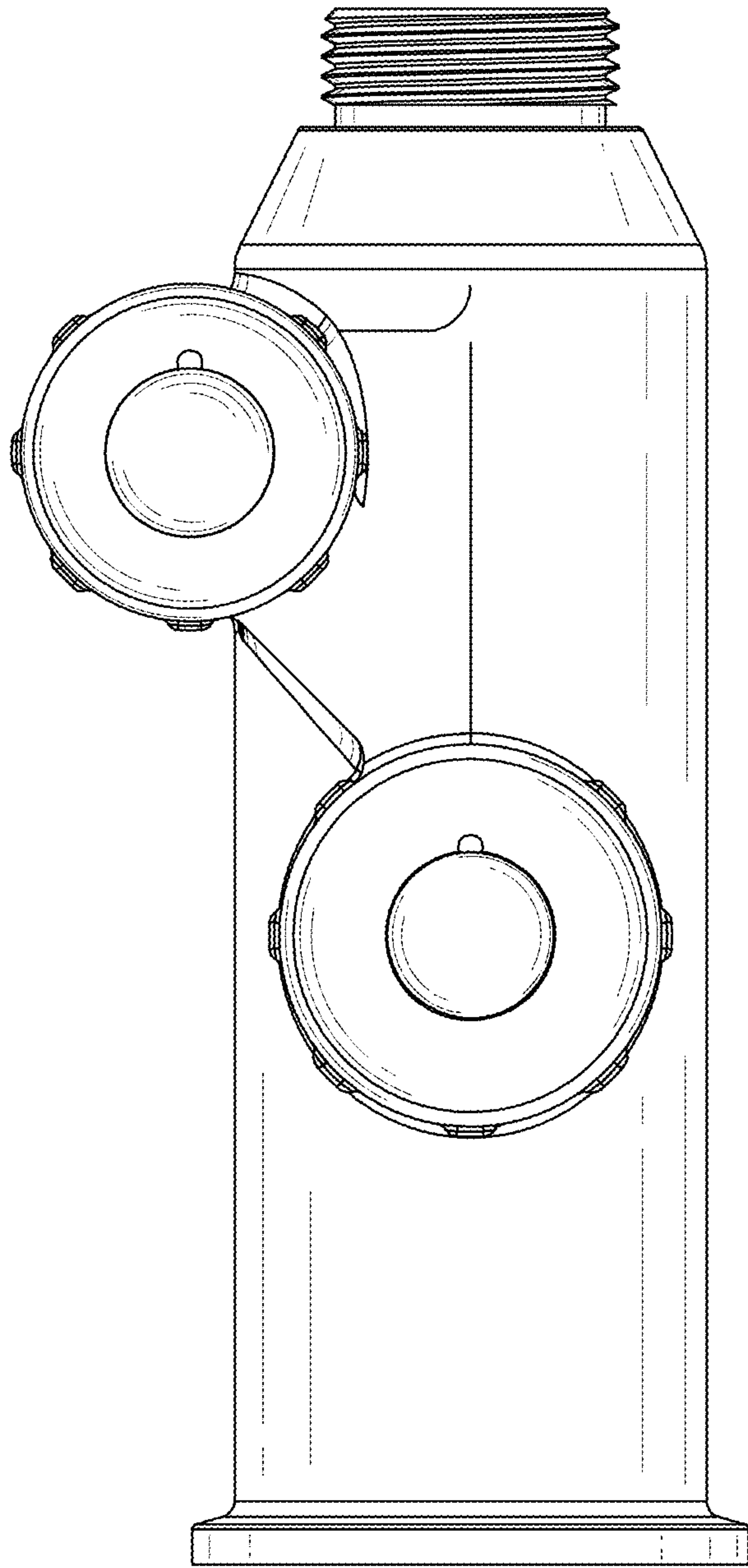


FIG. 5

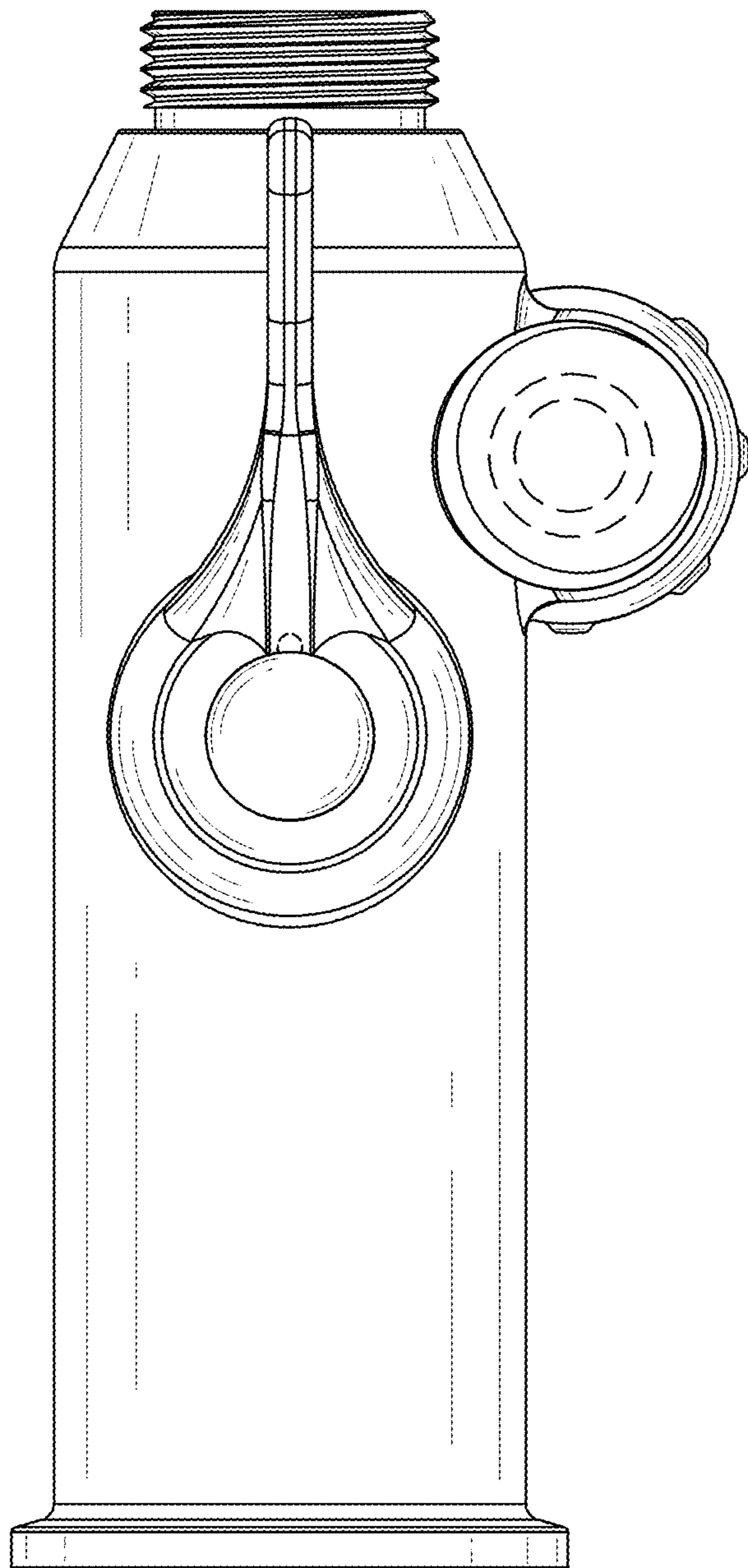


FIG. 6

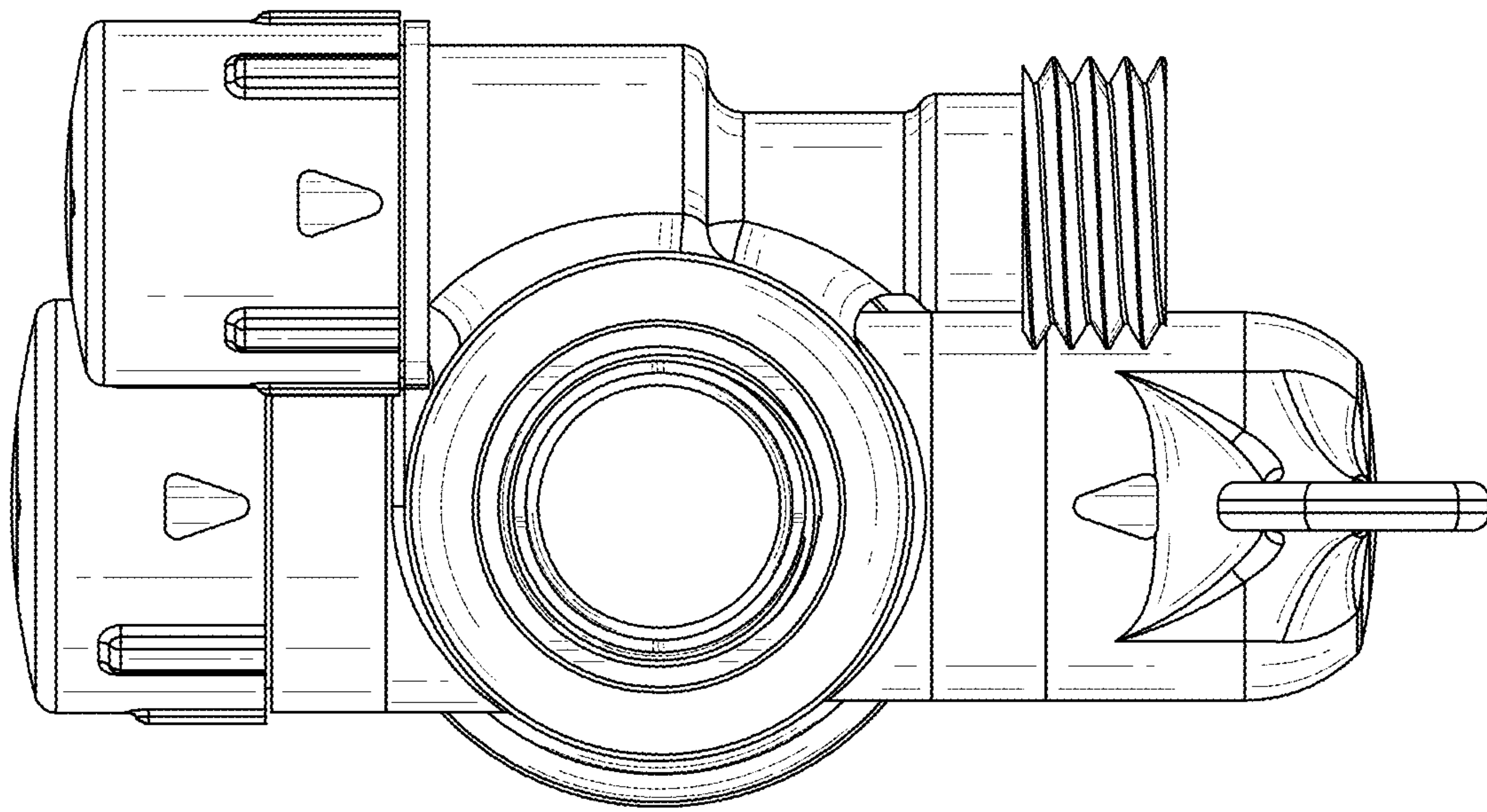


FIG. 7

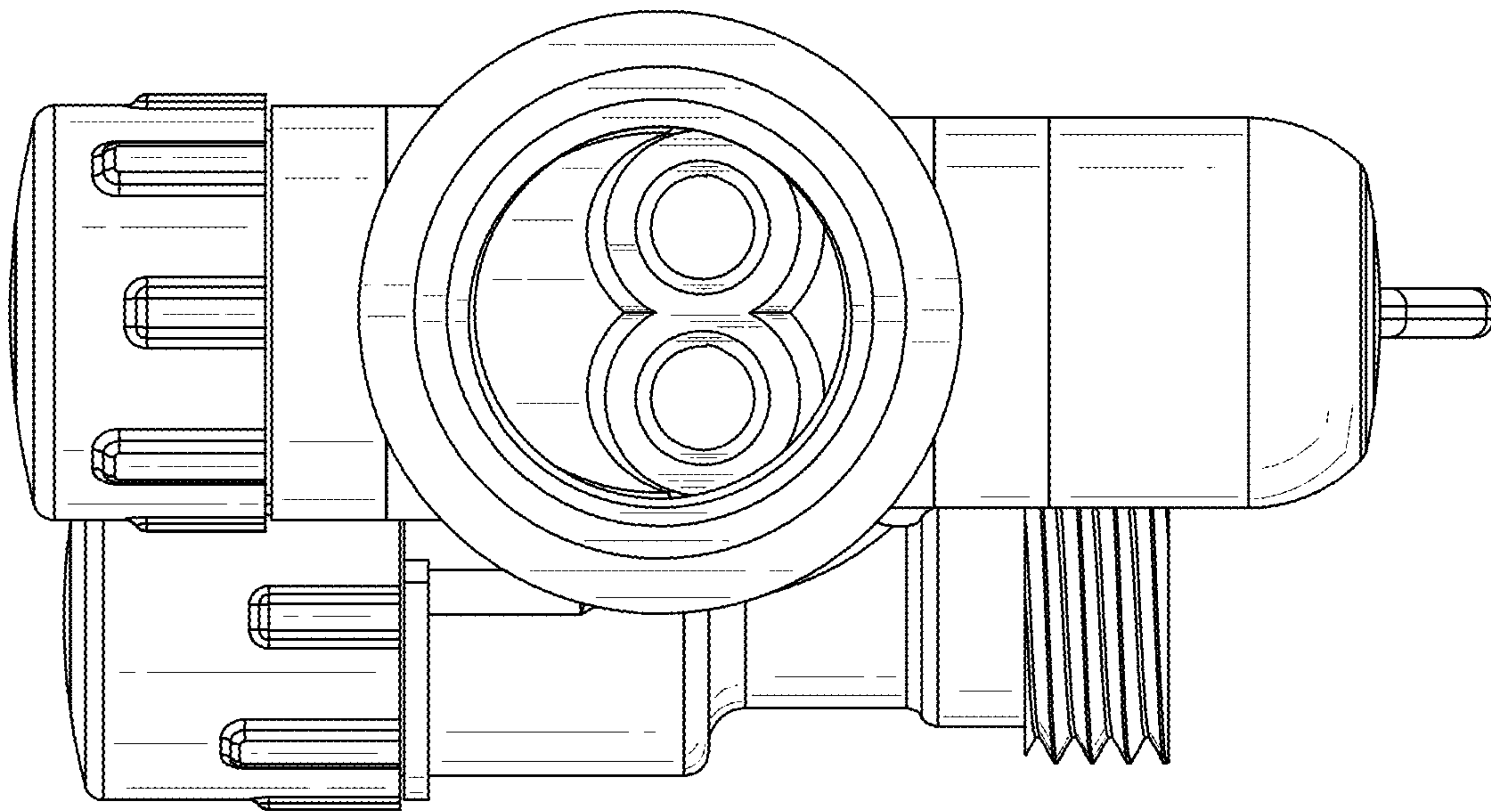


FIG. 8