



US00D919759S

(12) **United States Design Patent**  
**Hart**

(10) **Patent No.:** **US D919,759 S**

(45) **Date of Patent:** **\*\* May 18, 2021**

(54) **ANGLE STOP VALVE**

(71) Applicant: **Shawn Hart**, Fruit Heights, UT (US)

(72) Inventor: **Shawn Hart**, Fruit Heights, UT (US)

(\*\*) Term: **15 Years**

(21) Appl. No.: **29/676,593**

(22) Filed: **Jan. 11, 2019**

(51) **LOC (13) Cl.** ..... **23-01**

(52) **U.S. Cl.**  
USPC ..... **D23/245**

(58) **Field of Classification Search**  
USPC ..... D23/233–237, 241–250; 251/304  
CPC .... F16L 25/00; F16K 7/17; F16K 1/36; F16K  
1/42

See application file for complete search history.

(56) **References Cited**

**U.S. PATENT DOCUMENTS**

- 5,170,992 A \* 12/1992 Lenberg ..... F16K 5/204  
251/304
- D430,272 S \* 8/2000 Hung-Lin ..... D23/233
- D486,204 S \* 2/2004 Tripp ..... D23/245

- D724,181 S \* 3/2015 Condon ..... D23/233
- 9,897,216 B1 \* 2/2018 Kuo ..... F16K 5/0689
- D857,851 S \* 8/2019 Shinozaki ..... D23/245
- 10,808,847 B2 \* 10/2020 Hart ..... F16K 5/0414

\* cited by examiner

*Primary Examiner* — Gino Colan

(74) *Attorney, Agent, or Firm* — Steven Rinehart

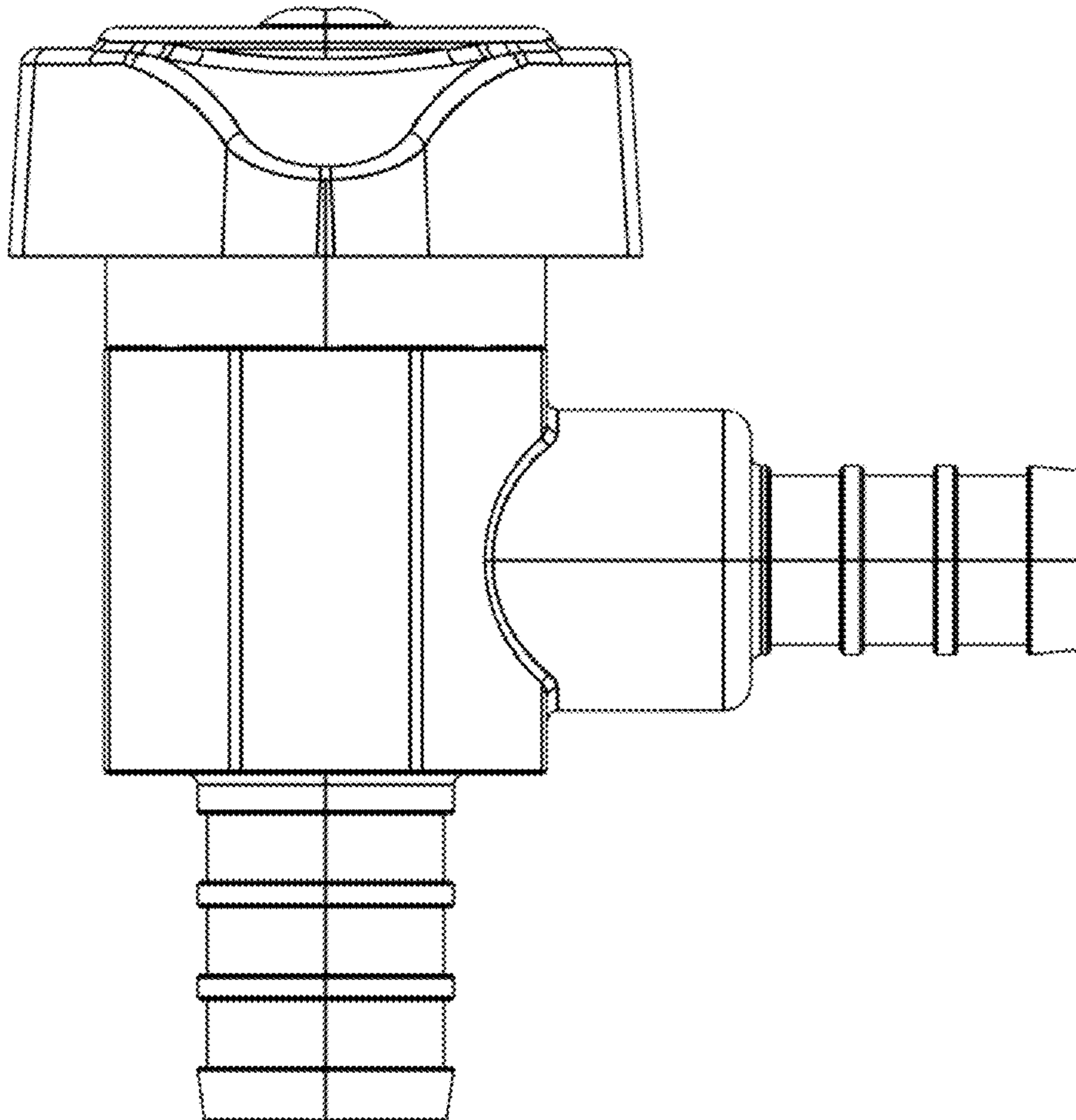
(57) **CLAIM**

I claim the ornamental design for the angle stop valve, as shown and described.

**DESCRIPTION**

FIG. 1 illustrates a forward perspective view of an angle stop valve in accordance with the present invention;  
 FIG. 2 illustrates a left side perspective view of an angle stop valve in accordance with the present invention;  
 FIG. 3 illustrates a right side perspective view of an angle stop valve in accordance with the present invention;  
 FIG. 4 illustrates a top perspective view of an angle stop valve in accordance with the present invention; and,  
 FIG. 5 illustrates a bottom perspective view of an angle stop valve in accordance with the present invention.

**1 Claim, 4 Drawing Sheets**



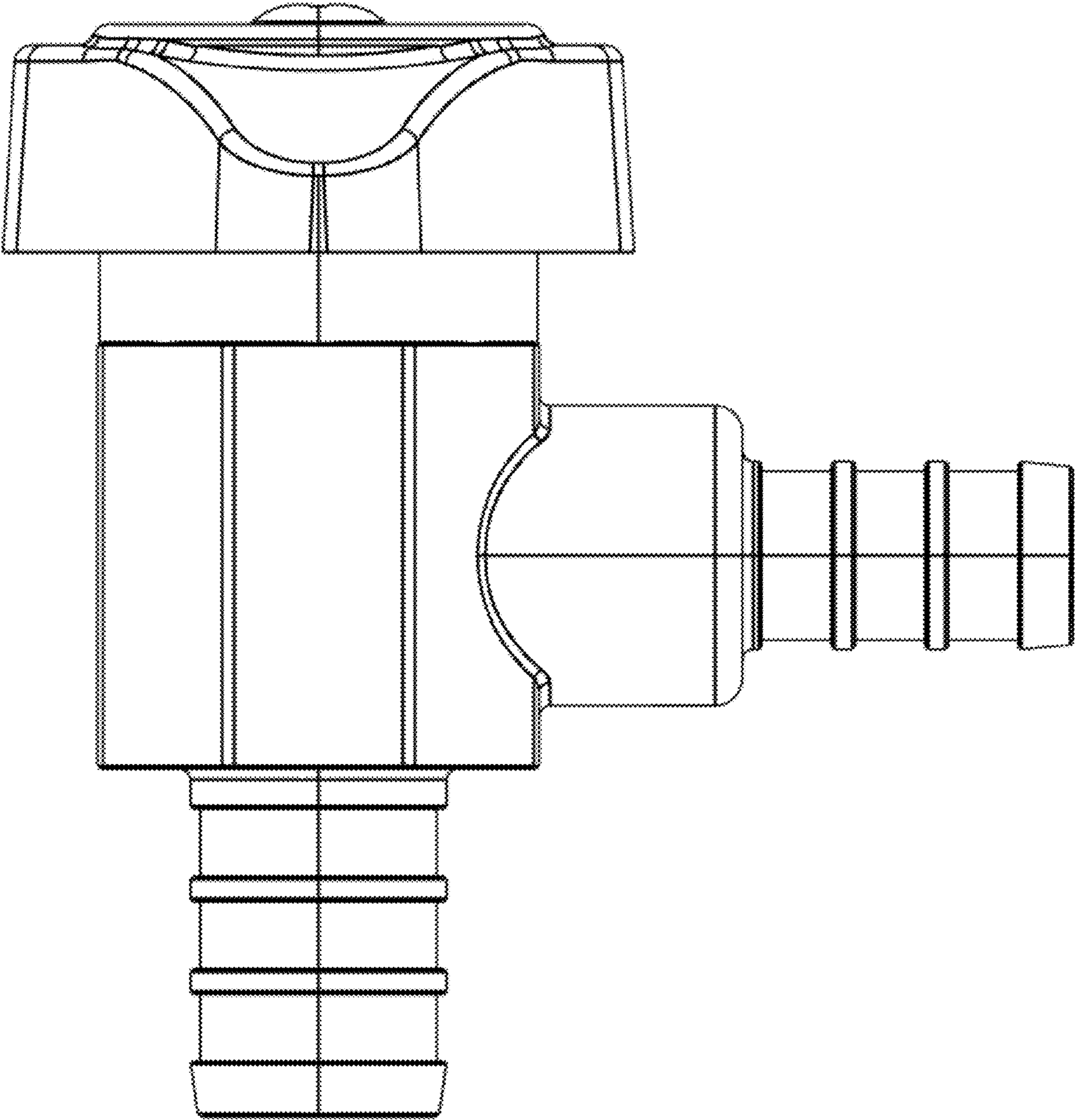


FIG. 1

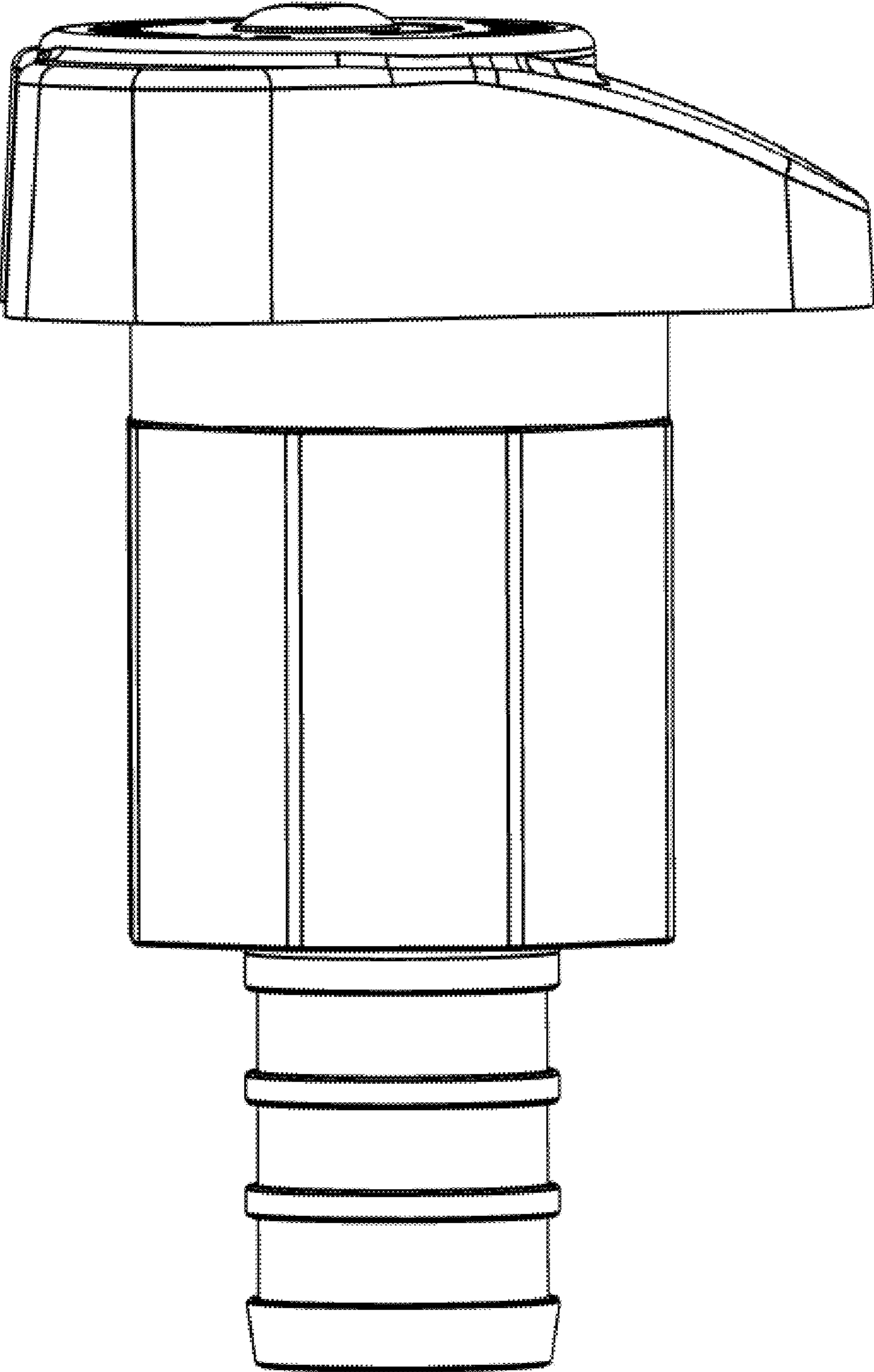


FIG. 2

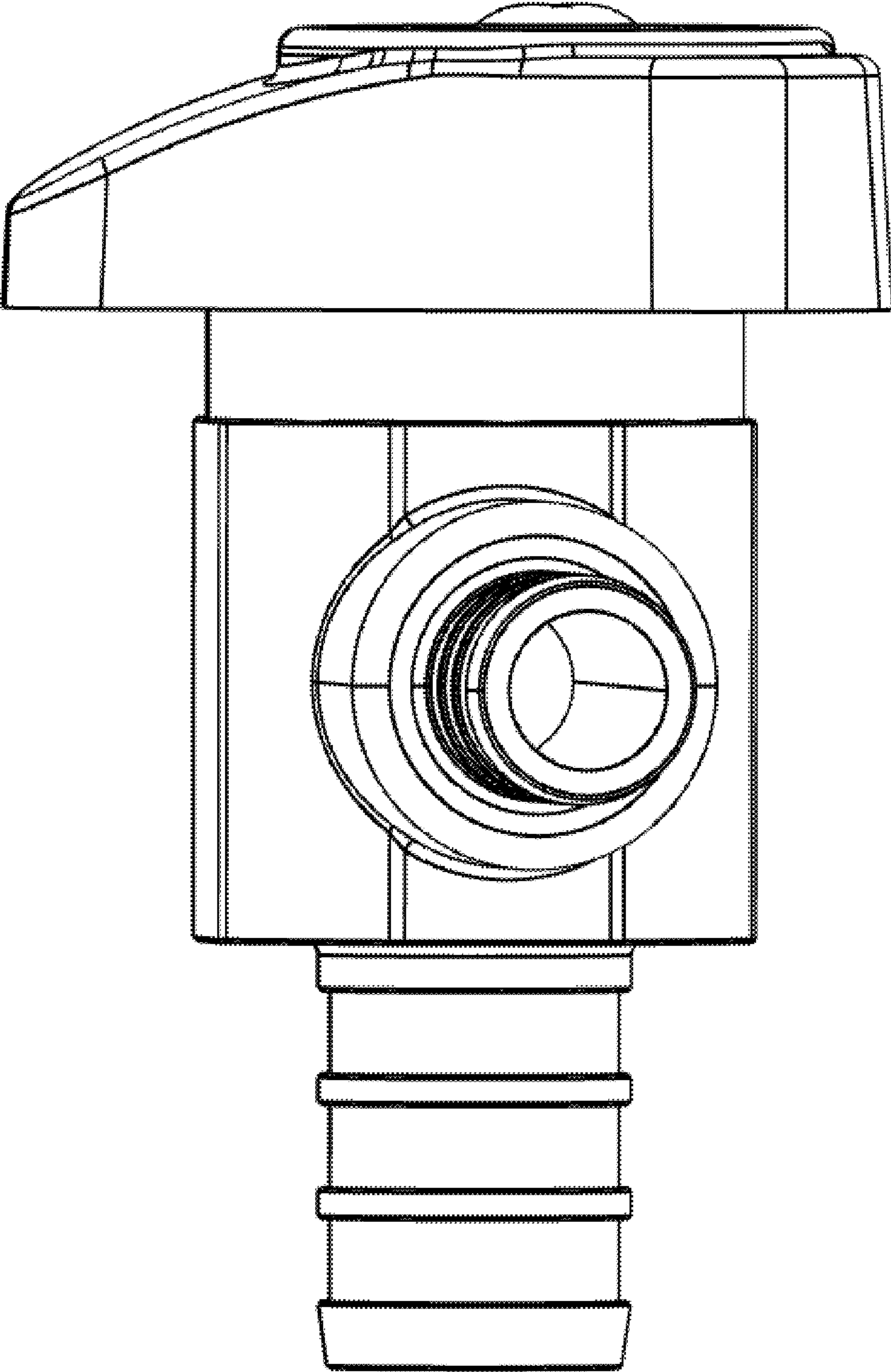


FIG. 3



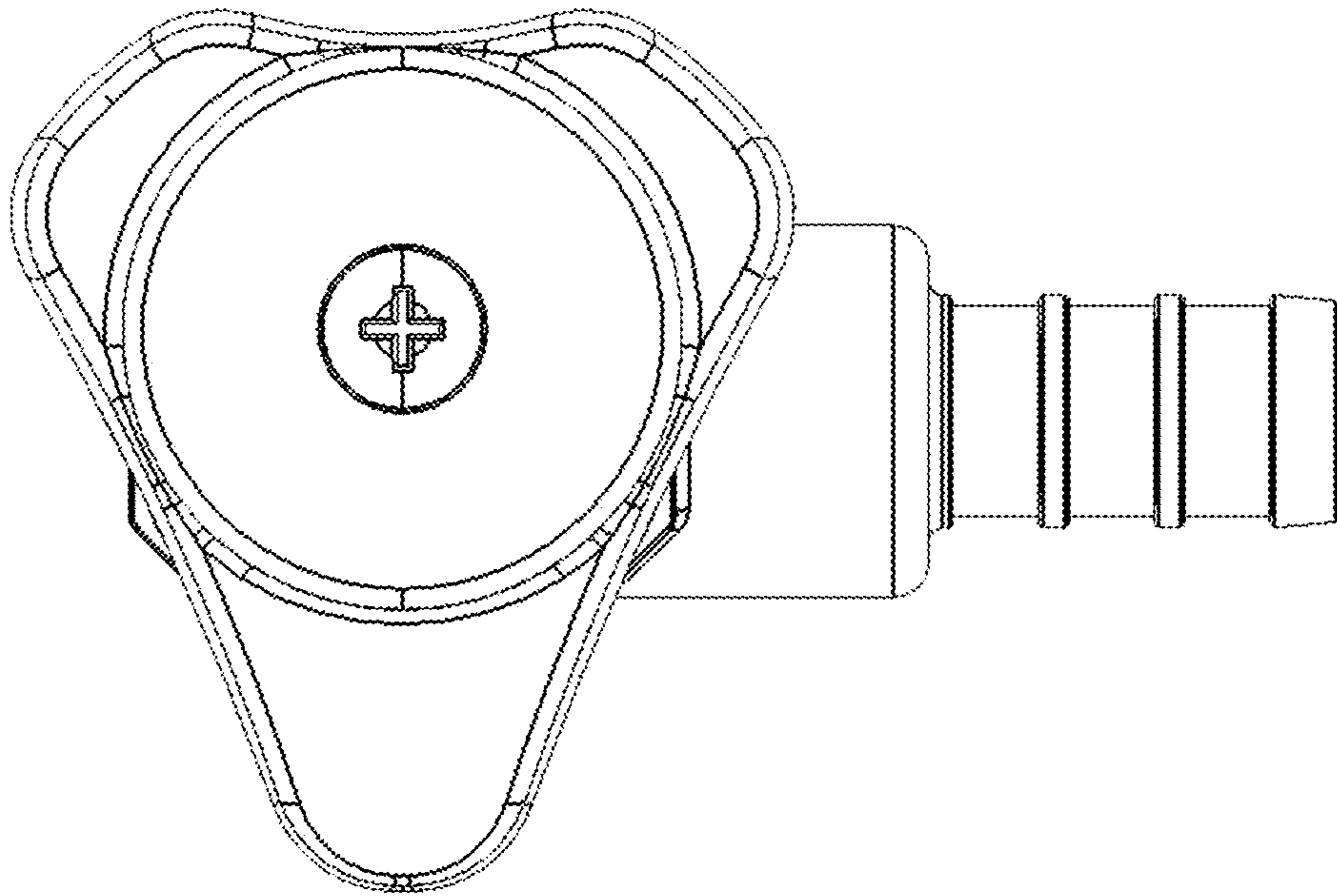


FIG. 4

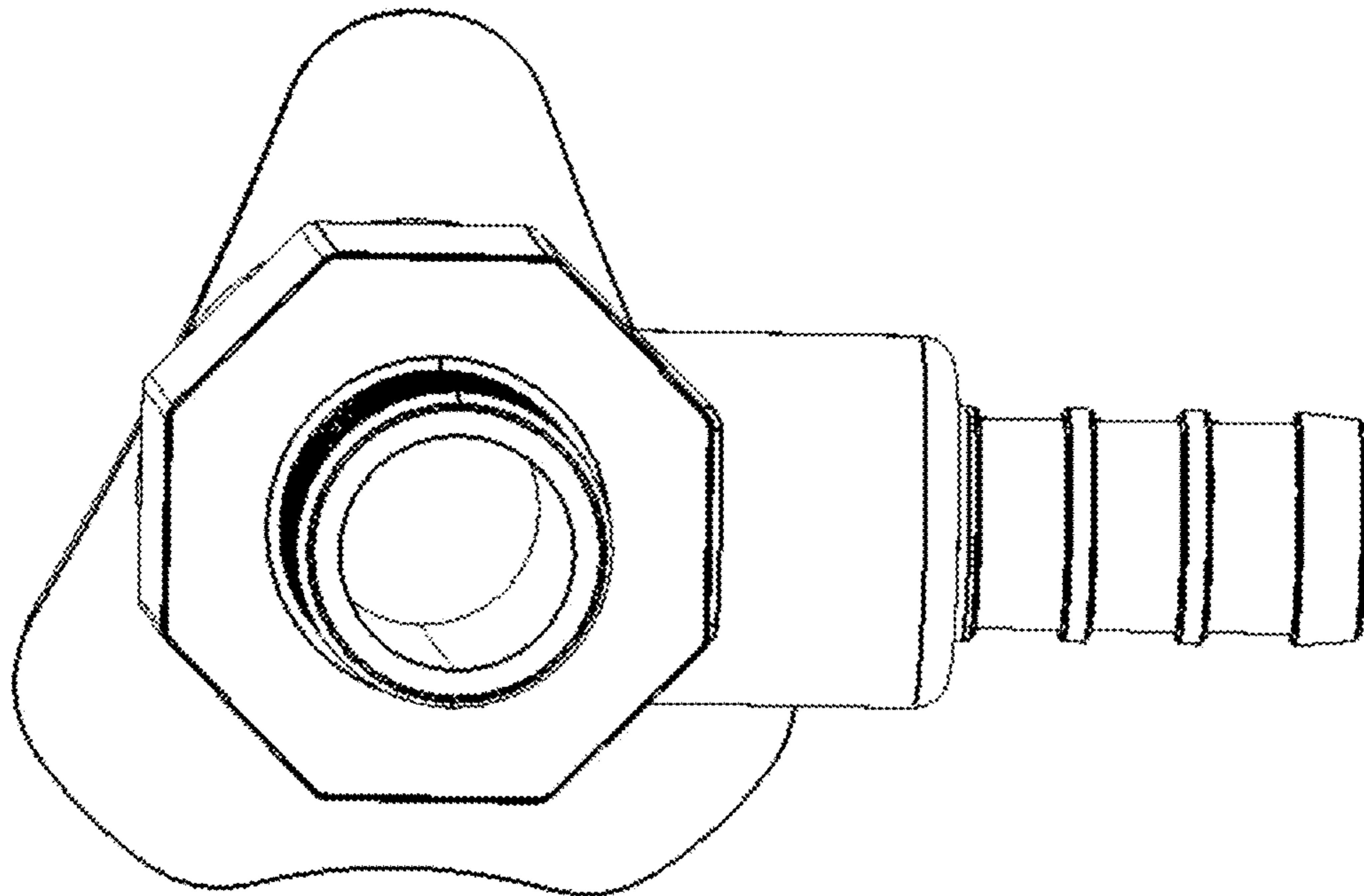


FIG. 5