



US00D919757S

(12) **United States Design Patent** (10) **Patent No.:** **US D919,757 S**
Stoler et al. (45) **Date of Patent:** **** *May 18, 2021**

(54) **FAUCET**
(71) Applicant: **DELTA FAUCET COMPANY**,
Indianapolis, IN (US)
(72) Inventors: **Benjamin David Stoler**, Carmel, IN
(US); **Thad Eads**, Urbana, IN (US);
Anthony Joseph Tentler, Windfall, IN
(US)
(73) Assignee: **DELTA FAUCET COMPANY**,
Indianapolis, IN (US)
(*) Notice: This patent is subject to a terminal dis-
claimer.
(**) Term: **15 Years**
(21) Appl. No.: **29/686,568**
(22) Filed: **Apr. 5, 2019**
(51) **LOC (13) Cl.** **23-01**
(52) **U.S. Cl.**
USPC **D23/242**
(58) **Field of Classification Search**
USPC D23/238-243, 254, 255, 257;
D8/307-308
CPC F16K 31/602; F16K 31/605; F16K 31/607;
E03C 1/0412; E03C 1/0401; E03C
1/0402; E03C 1/0404
See application file for complete search history.

D754,297 S * 4/2016 Garland D23/242
D755,932 S * 5/2016 Fritz D23/242
D767,099 S * 9/2016 Flowers D23/242
D791,279 S * 7/2017 Fritz D23/242
D791,280 S * 7/2017 Fritz D23/242
D796,638 S * 9/2017 Liao D23/242
D820,409 S * 6/2018 Zeng D23/242

(Continued)

FOREIGN PATENT DOCUMENTS

CA 82581 * 12/1997
CA 86499 * 4/1999

(Continued)

OTHER PUBLICATIONS

Delta Bathroom Faucet, announced Date Nov. 28, 2018[online],
[site visited Jul. 23, 2020], Available from internet, URL:< https://
www.amazon.com/Delta-Faucet-25776-BLMPU-DST-Centerset-
Matte/dp/B07JY6KBSM?th=1> (Year: 2018).*

(Continued)

Primary Examiner — Barbara Fox
Assistant Examiner — Jamaal Rasheed
(74) *Attorney, Agent, or Firm* — Nirav D. Parikh; Edgar
A. Zarins

(57) **CLAIM**

The ornamental design for a faucet, as shown and described.

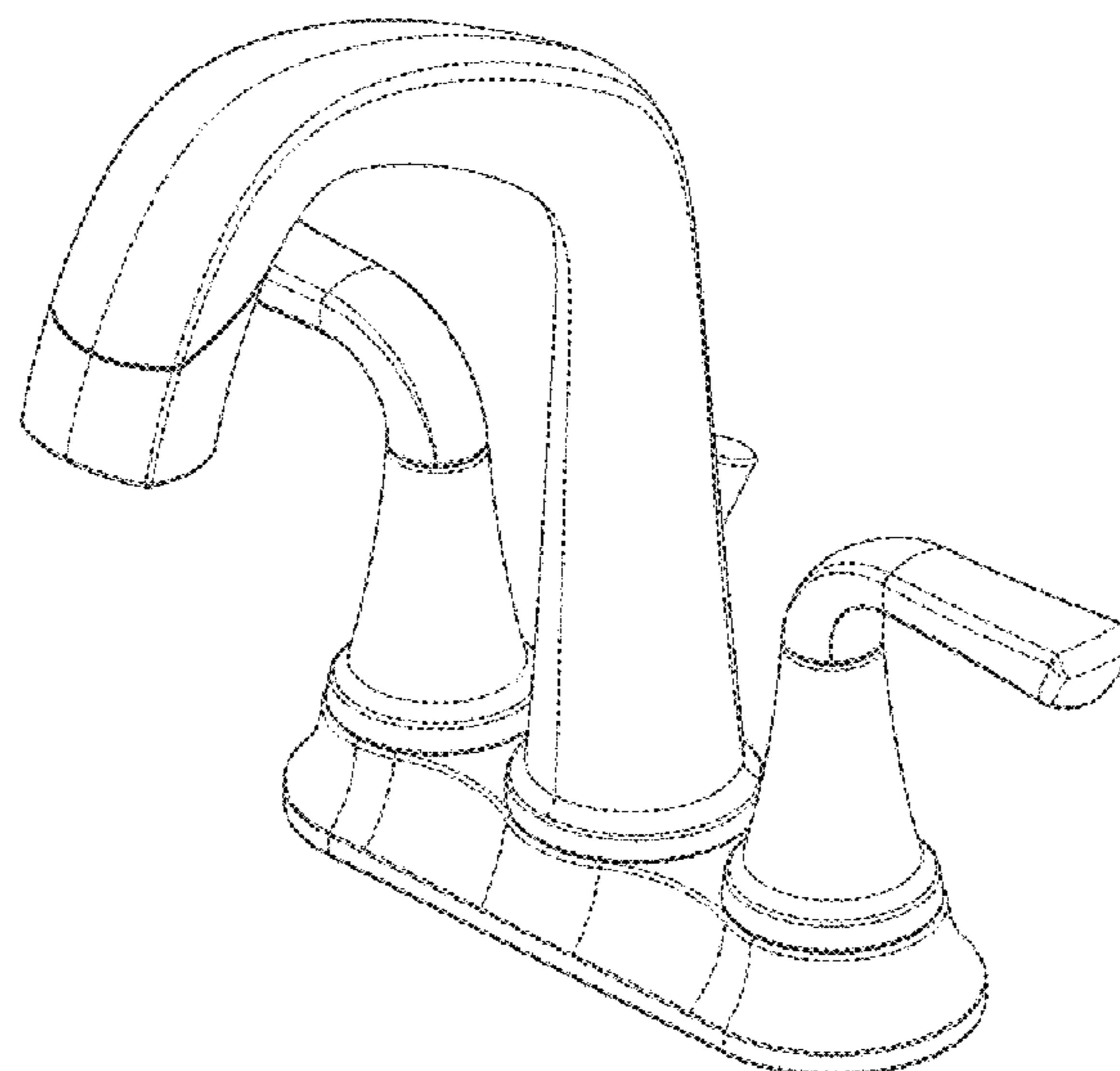
DESCRIPTION

FIG. 1 is a front perspective view of a faucet showing our
new design;
FIG. 2 is a rear perspective view thereof;
FIG. 3 is a front elevational view thereof;
FIG. 4 is a left side view thereof;
FIG. 5 is a rear view thereof;
FIG. 6 is a right side view thereof; and,
FIG. 7 is a top plan view thereof.

1 Claim, 4 Drawing Sheets

(56) **References Cited**
U.S. PATENT DOCUMENTS

D368,302 S * 3/1996 Doughty D23/241
D406,876 S * 3/1999 Ko D23/241
D518,149 S * 3/2006 Spangler D23/241
D520,115 S * 5/2006 Fritz D23/241
D522,093 S * 5/2006 Fritz D23/241
D643,096 S * 8/2011 Corbett D23/242
D657,019 S * 4/2012 Padgett D23/242
D704,305 S * 5/2014 Flowers D23/242



(56)

References Cited

U.S. PATENT DOCUMENTS

D822,171 S * 7/2018 Bennett D23/242
D839,390 S * 1/2019 Eads D23/242
D859,591 S * 9/2019 Kuang D23/242
D865,126 S * 10/2019 Zeng D23/242
D873,965 S * 1/2020 Lazarini D23/241
2019/0390446 A1 * 12/2019 Mooren E03C 1/0401

FOREIGN PATENT DOCUMENTS

CA 146286 * 7/2012
CA 151300 * 6/2014

OTHER PUBLICATIONS

Two Handle Faucet, announced Date unavailable[online], [site visited Jul. 13, 2020], Available from internet, URL:<<https://www.deltafaucet.com/kitchen/product/21716LF-OB>> (Year: 2020).*

Two Handle Faucet, announced Date unavailable[online], [site visited Jul. 13, 2020], Available from internet, URL:<<https://www.deltafaucet.com/kitchen/product/21742LF>> (Year: 2020).*

* cited by examiner

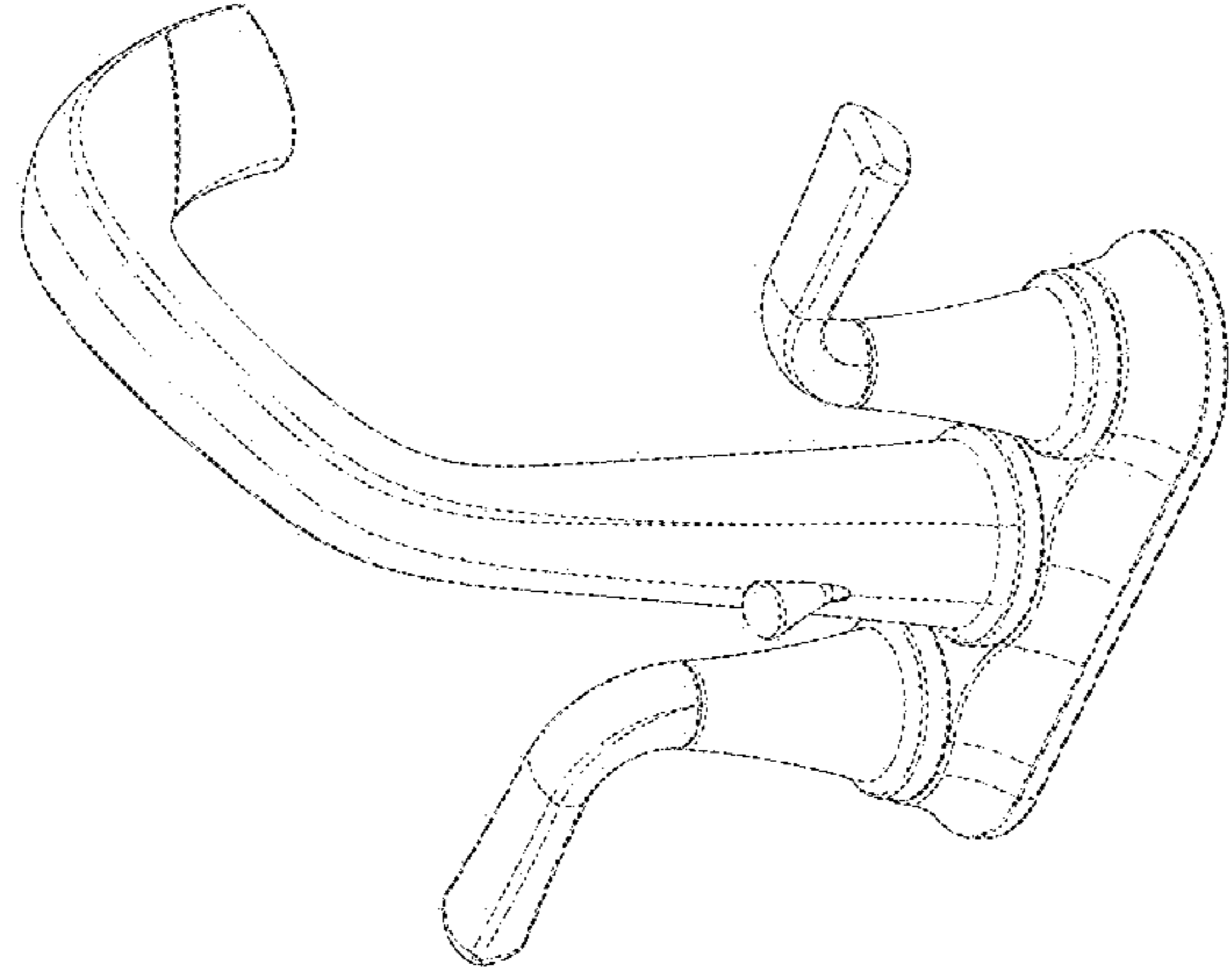


FIG - 2

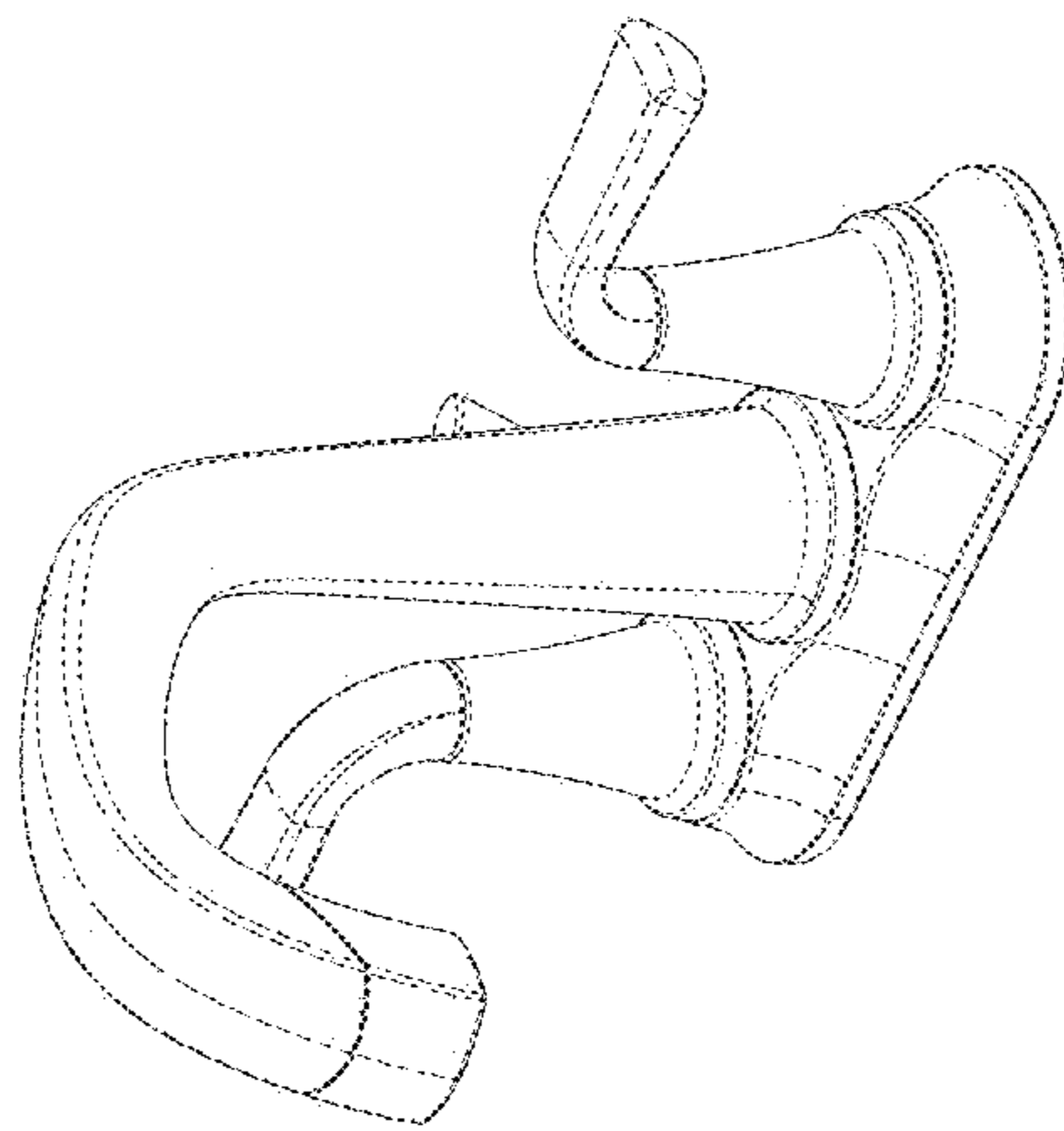


FIG - 1

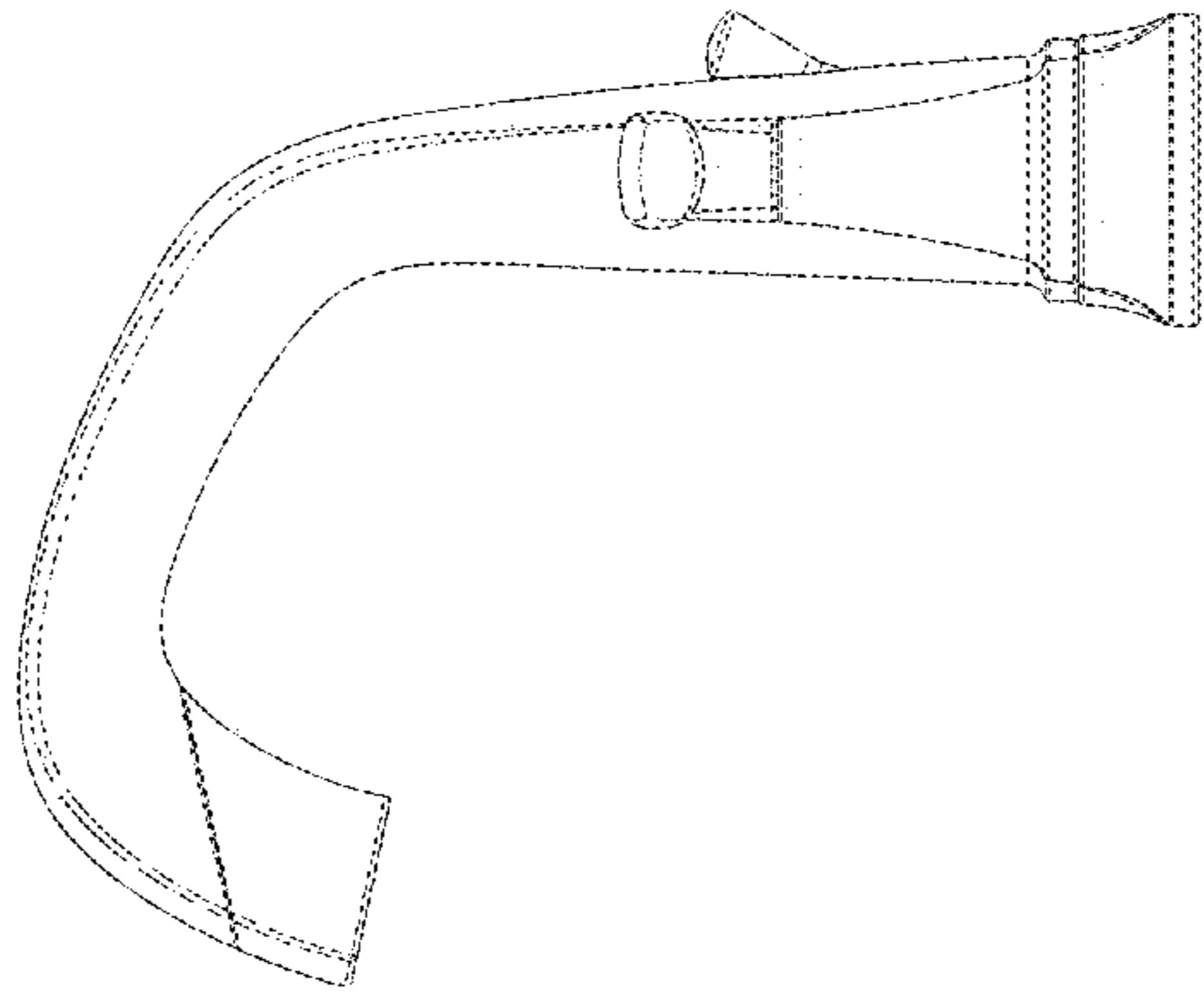


FIG - 4

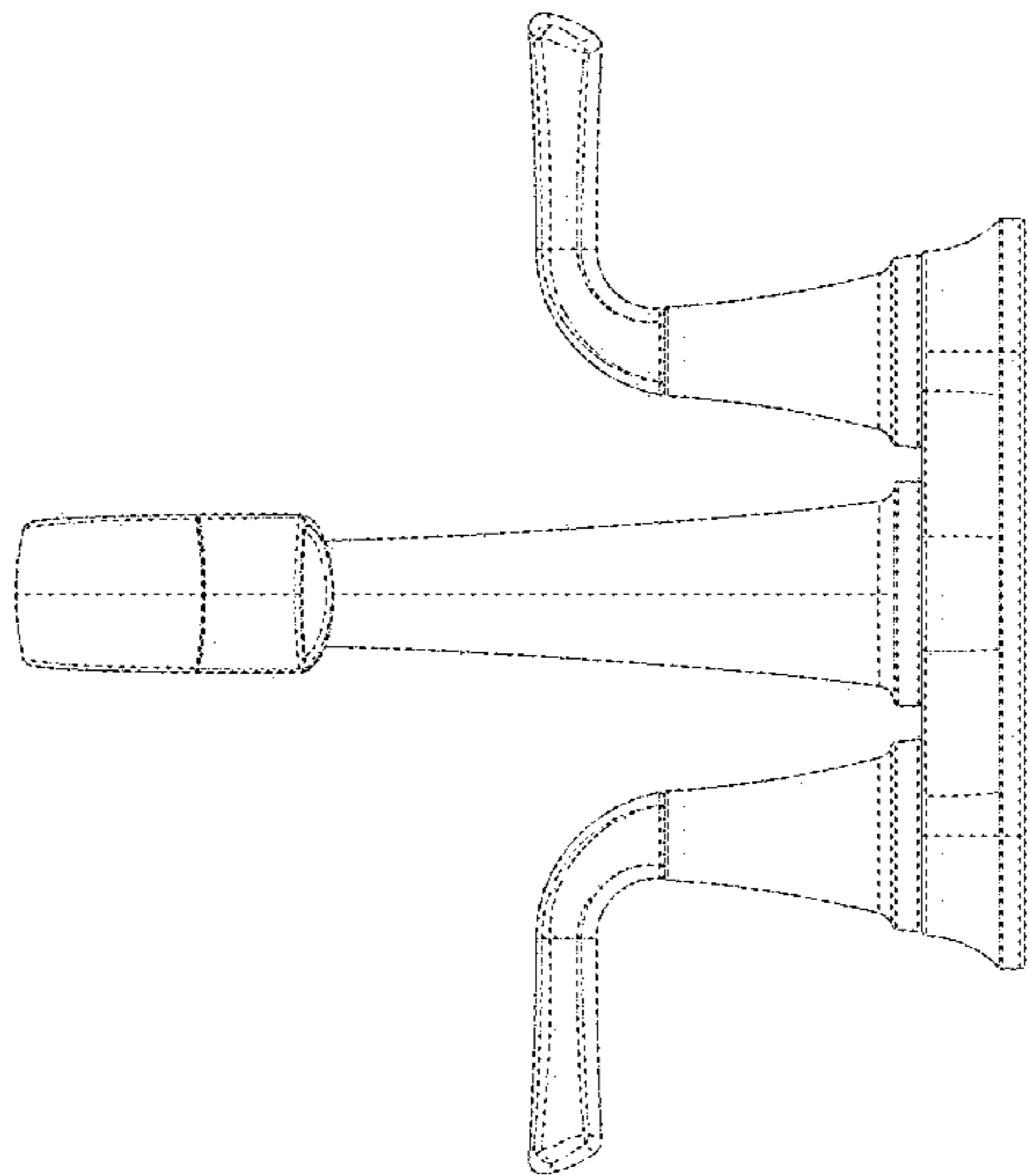


FIG - 3

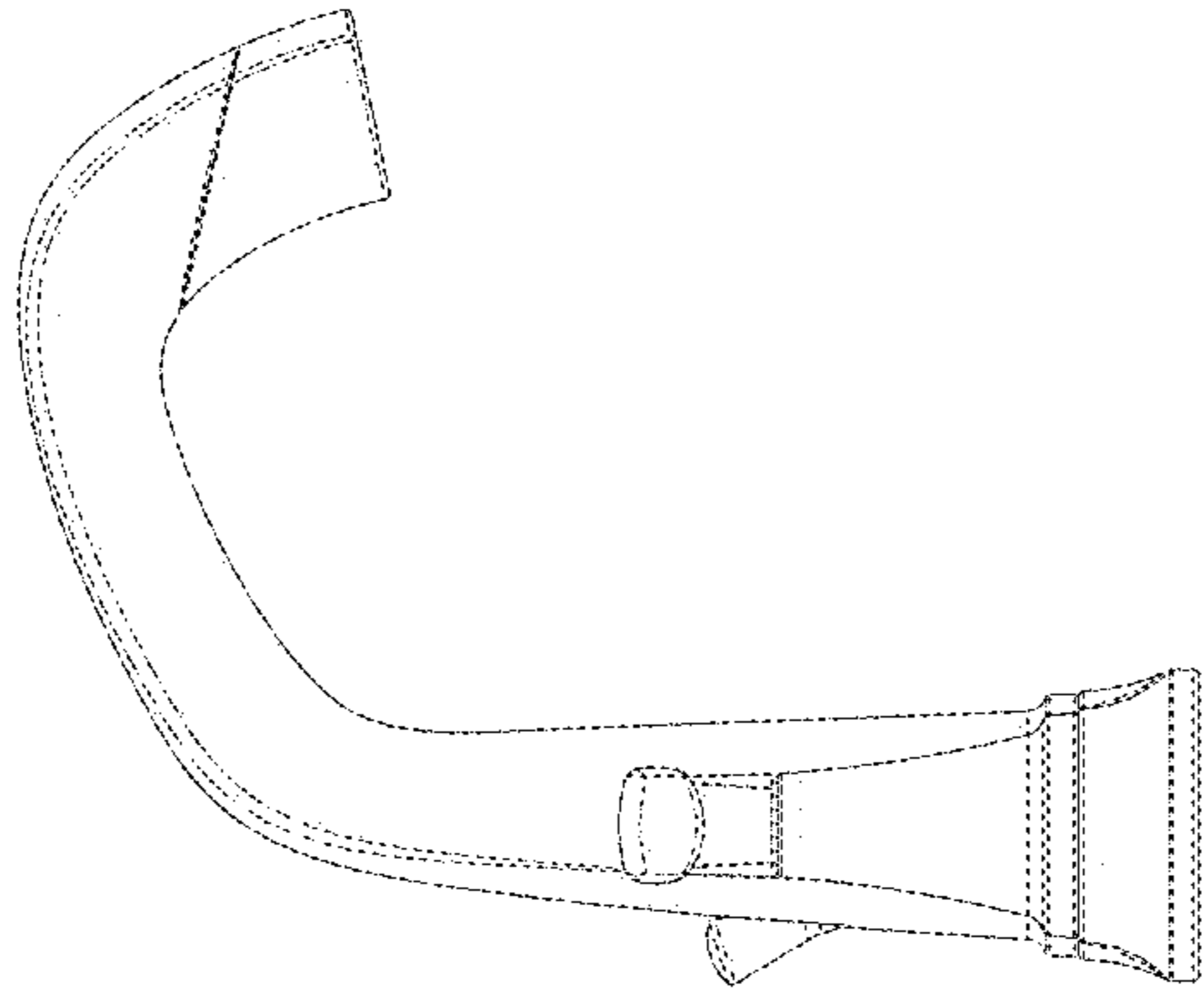


FIG - 6

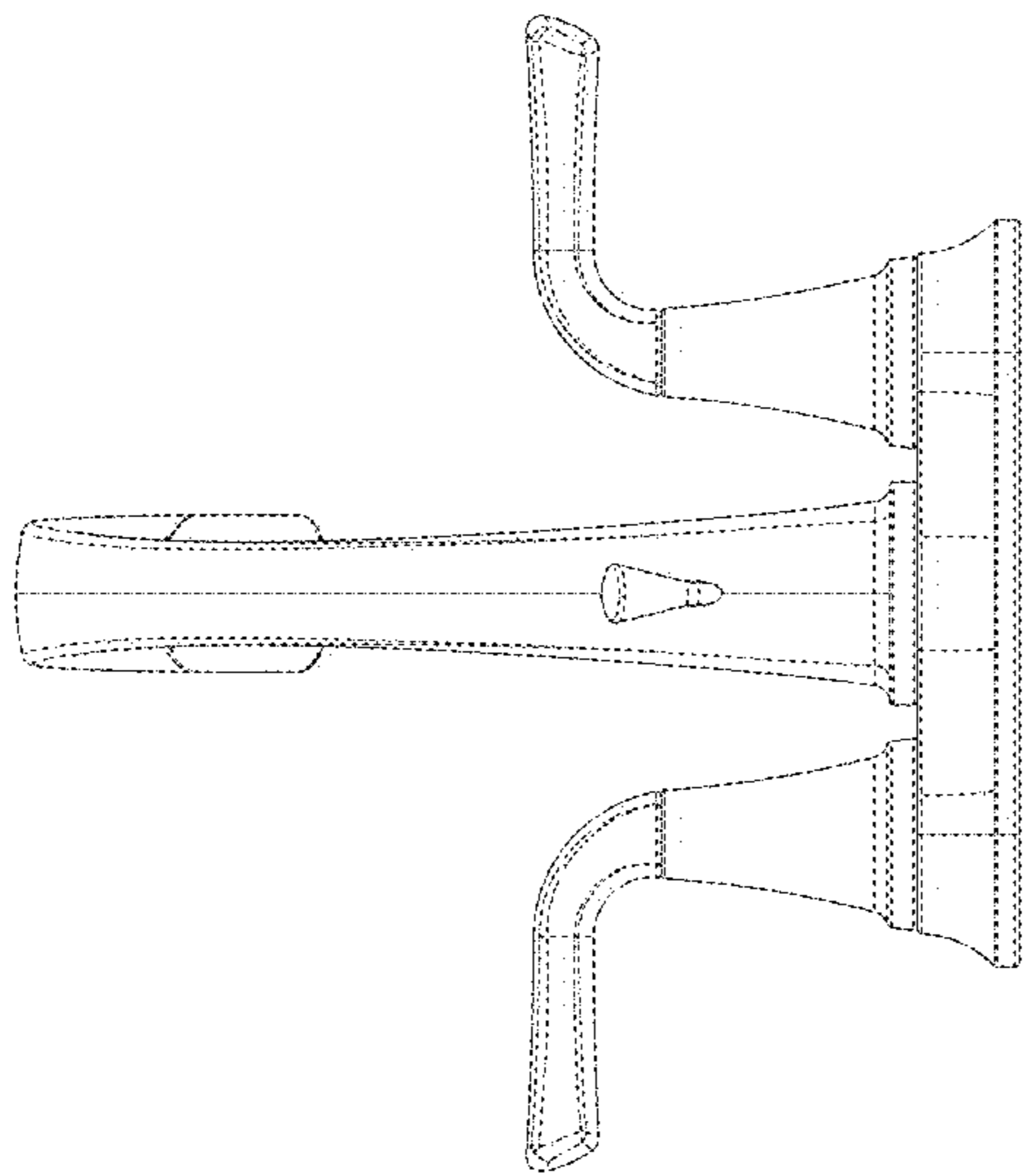


FIG - 5

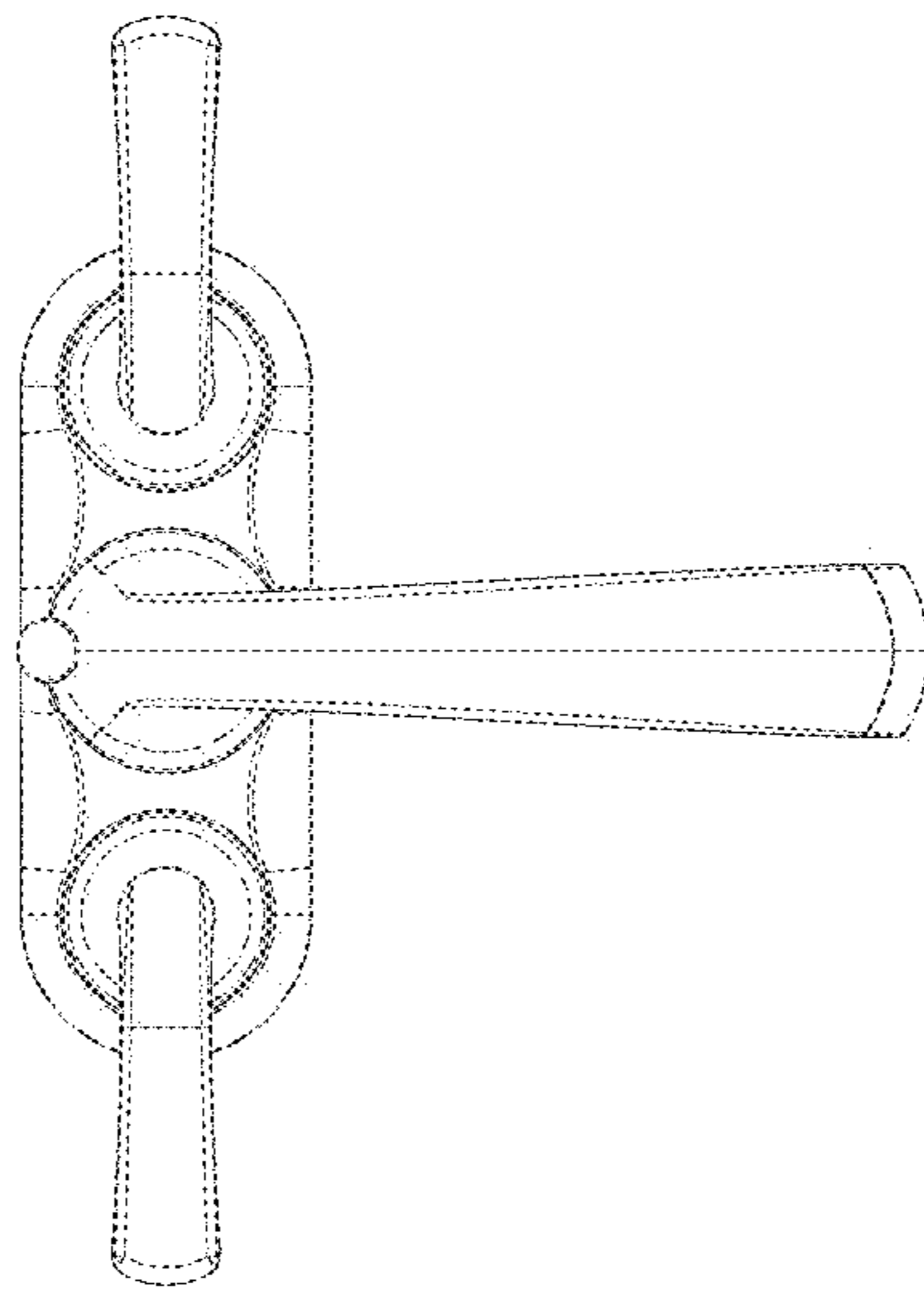


FIG - 7