



US00D919755S

(12) **United States Design Patent**
Mogi et al.

(10) **Patent No.:** **US D919,755 S**

(45) **Date of Patent:** **** May 18, 2021**

(54) **EXPANSION VALVE**

D827,092 S * 8/2018 Hayakawa D23/233
D854,655 S * 7/2019 Satake D23/233
D872,228 S * 1/2020 Matsuda D23/233

(71) Applicant: **FUJIKOKI CORPORATION**, Tokyo
(JP)

* cited by examiner

(72) Inventors: **Takashi Mogi**, Tokyo (JP); **Ryo Matsuda**, Tokyo (JP)

Primary Examiner — Gino Colan

(73) Assignee: **FUJIKOKI CORPORATION**, Tokyo
(JP)

(74) *Attorney, Agent, or Firm* — Manabu Kanesaka

(**) Term: **15 Years**

(57) **CLAIM**

(21) Appl. No.: **29/701,614**

The ornamental design for an expansion valve, as shown and described.

(22) Filed: **Aug. 13, 2019**

(30) **Foreign Application Priority Data**

DESCRIPTION

Jul. 11, 2019 (JP) 2019-015627

(51) **LOC (13) Cl.** **23-01**

(52) **U.S. Cl.**
USPC **D23/233**

(58) **Field of Classification Search**
USPC D23/233, 235, 247, 248, 249
CPC .. F25B 41/31; F25B 2600/2513; F25B 41/30;
F16K 31/002; F16K 1/14; F16K 27/0245;
F16K 1/54
See application file for complete search history.

FIG. 1 is a perspective view from a top side of an expansion valve showing our new design;
FIG. 2 is a perspective view from a bottom side thereof;
FIG. 3 is a front view thereof;
FIG. 4 is a rear view thereof;
FIG. 5 is a top plan view thereof;
FIG. 6 is a bottom view thereof; and,
FIG. 7 is a right side view thereof, left side view being symmetrical to the right side view.

The broken lines depict portions of the expansion valve that form no part of claimed design.

(56) **References Cited**

U.S. PATENT DOCUMENTS

D826,378 S * 8/2018 Hayakawa D23/233
D826,379 S * 8/2018 Hayakawa D23/233
D826,380 S * 8/2018 Hayakawa D23/233

1 Claim, 7 Drawing Sheets

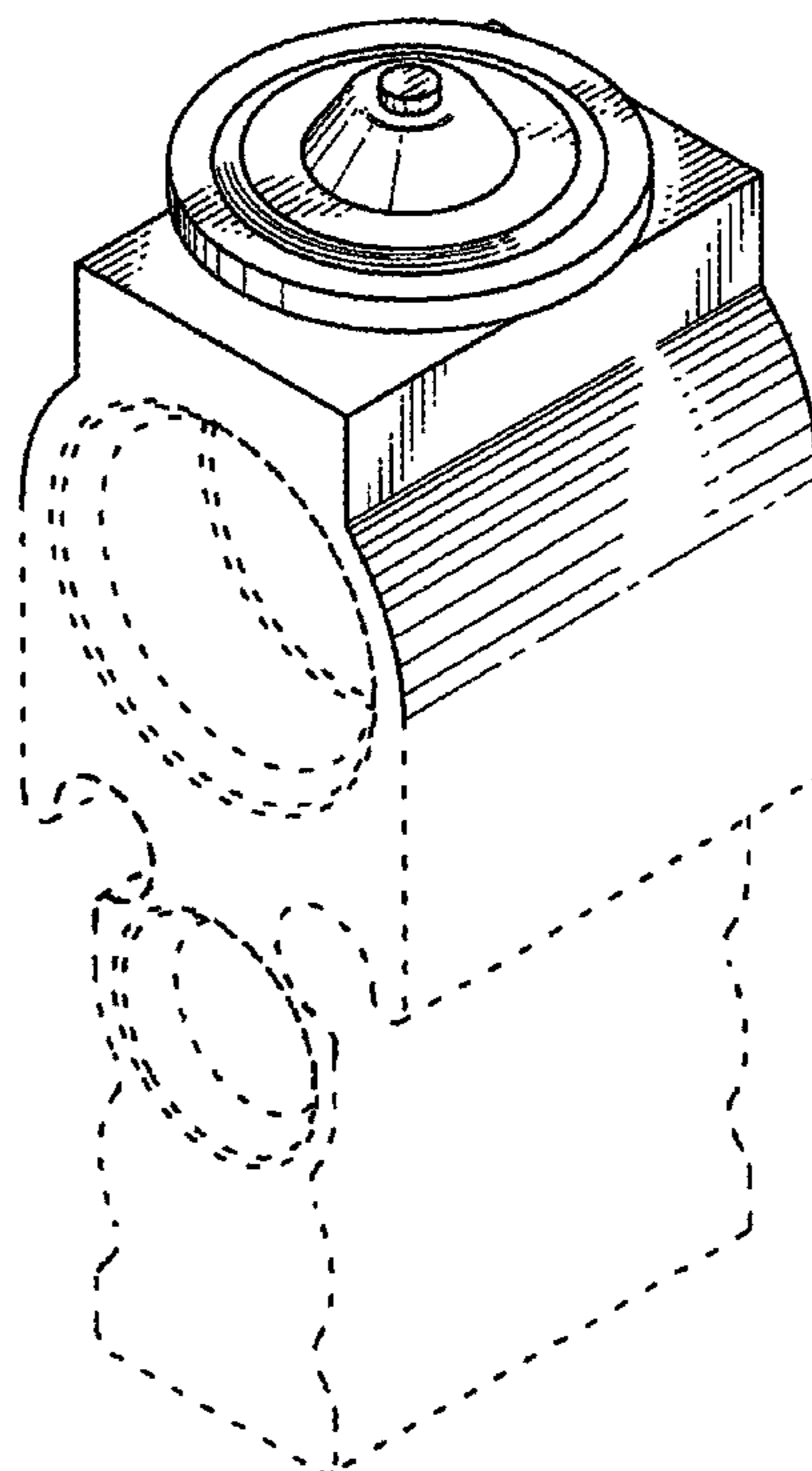


FIG. 1

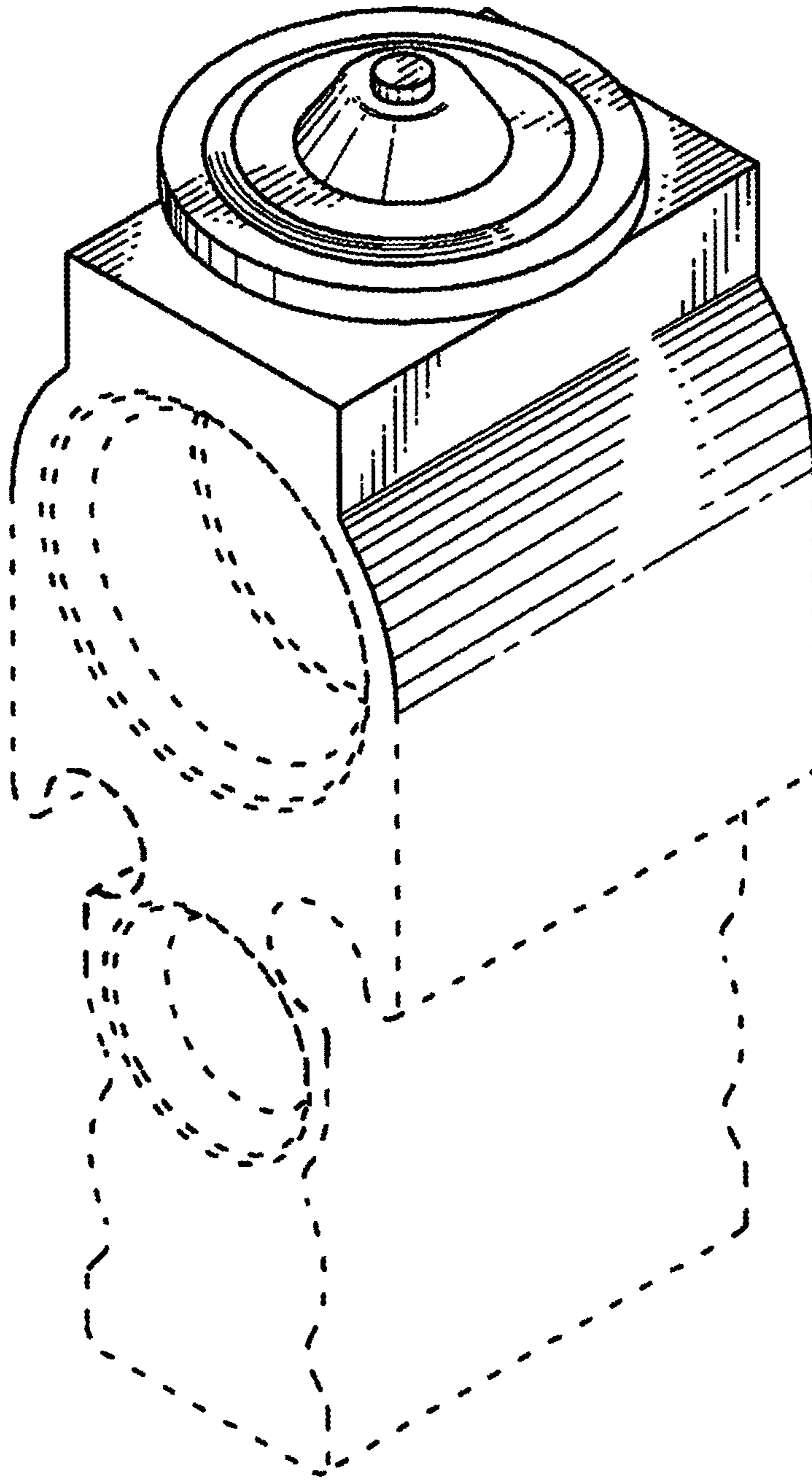


FIG. 2

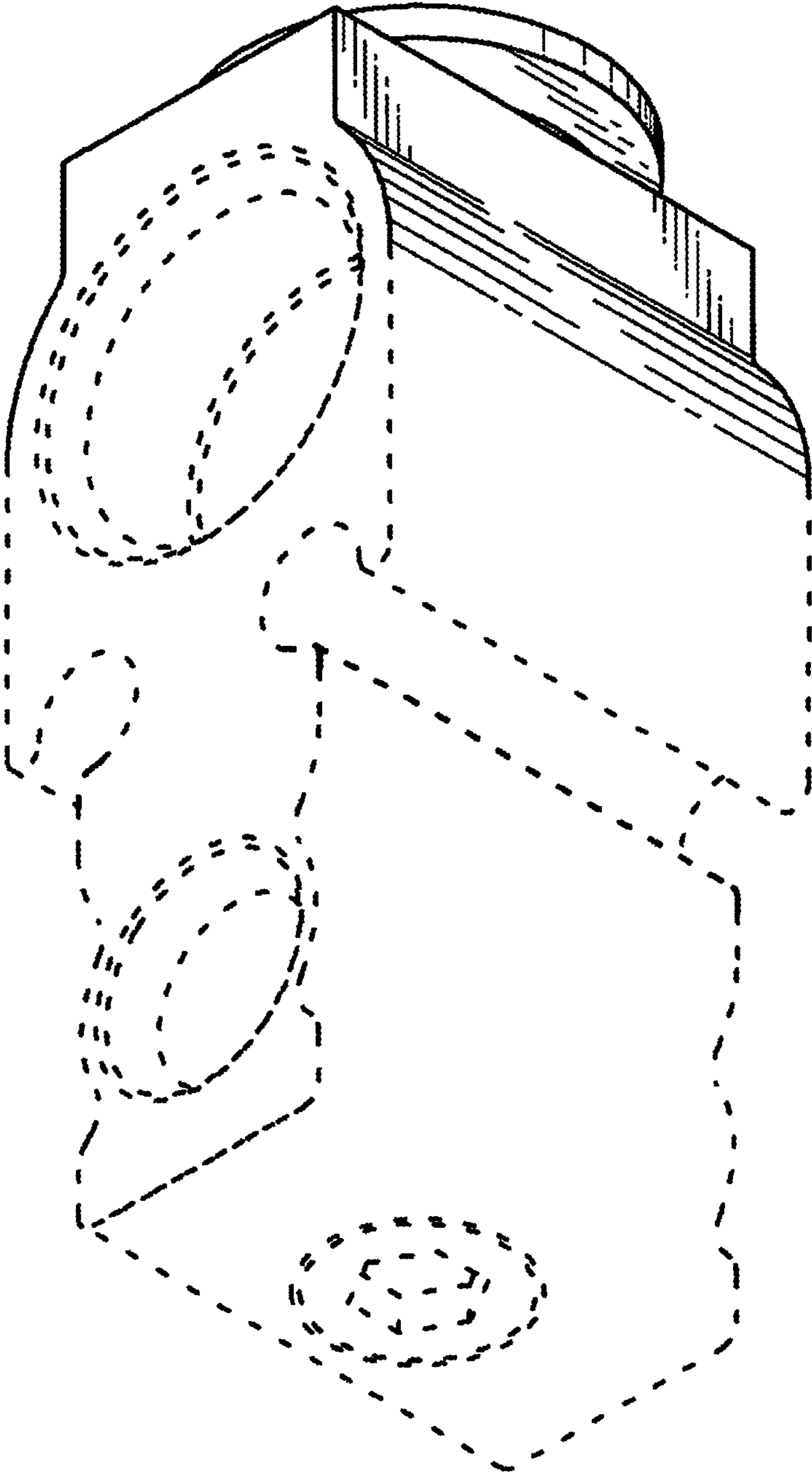


FIG. 3

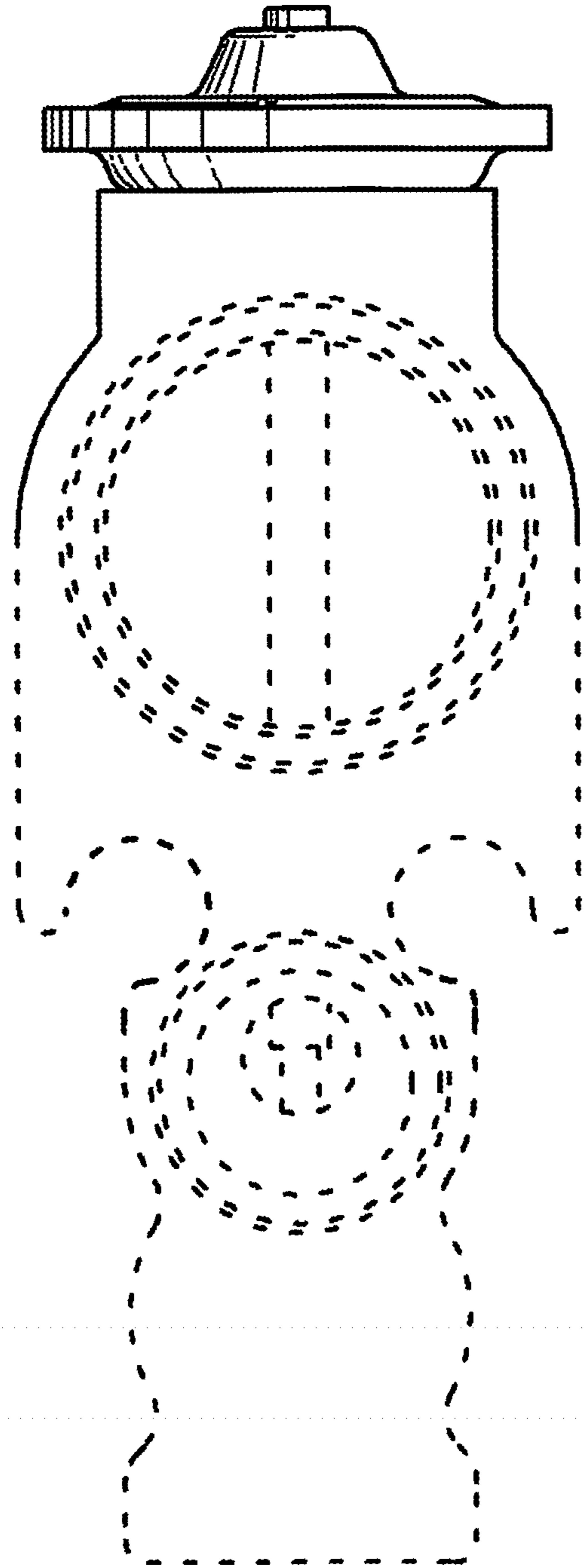


FIG. 4

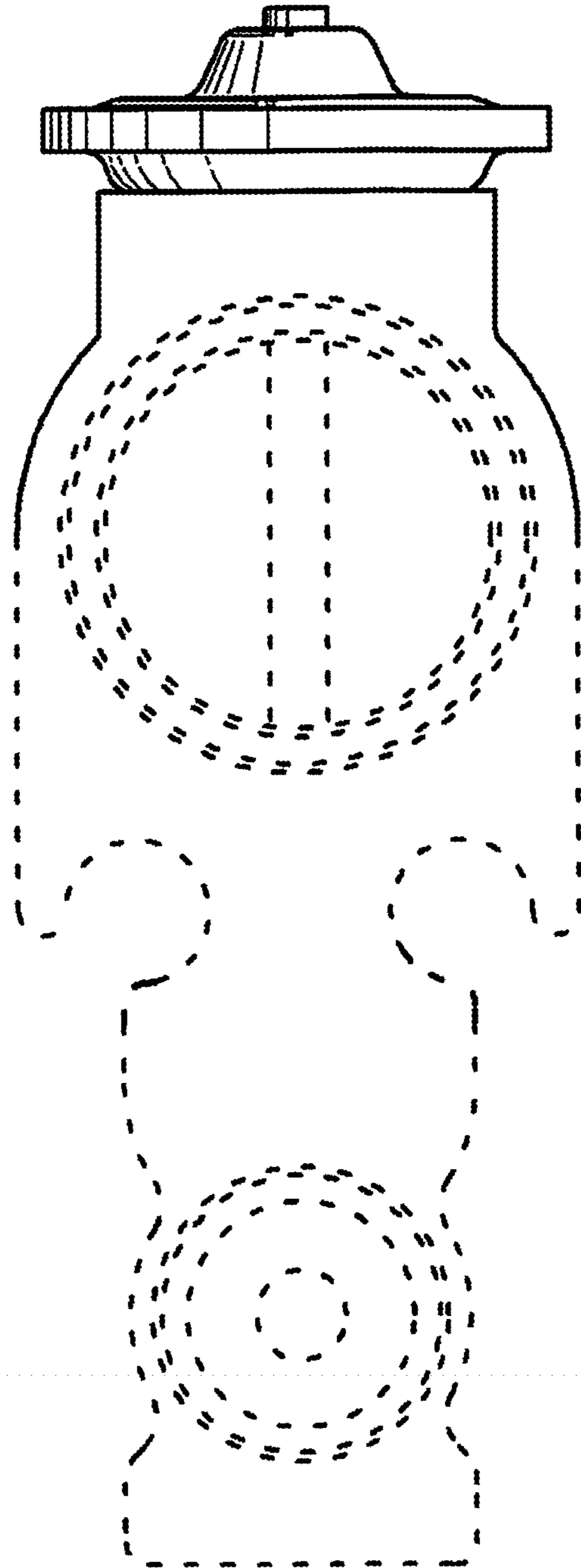


FIG. 5

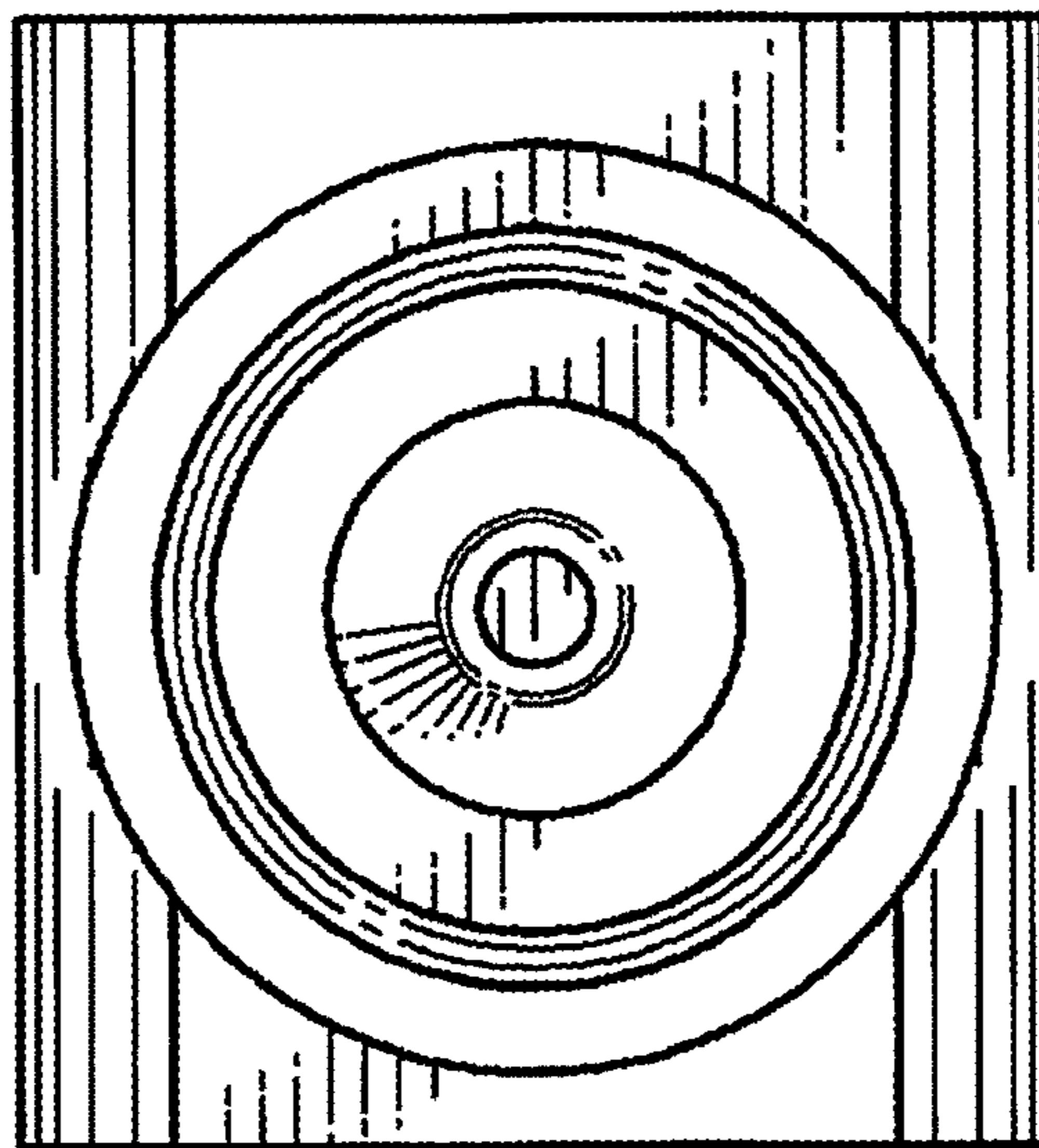


FIG. 6

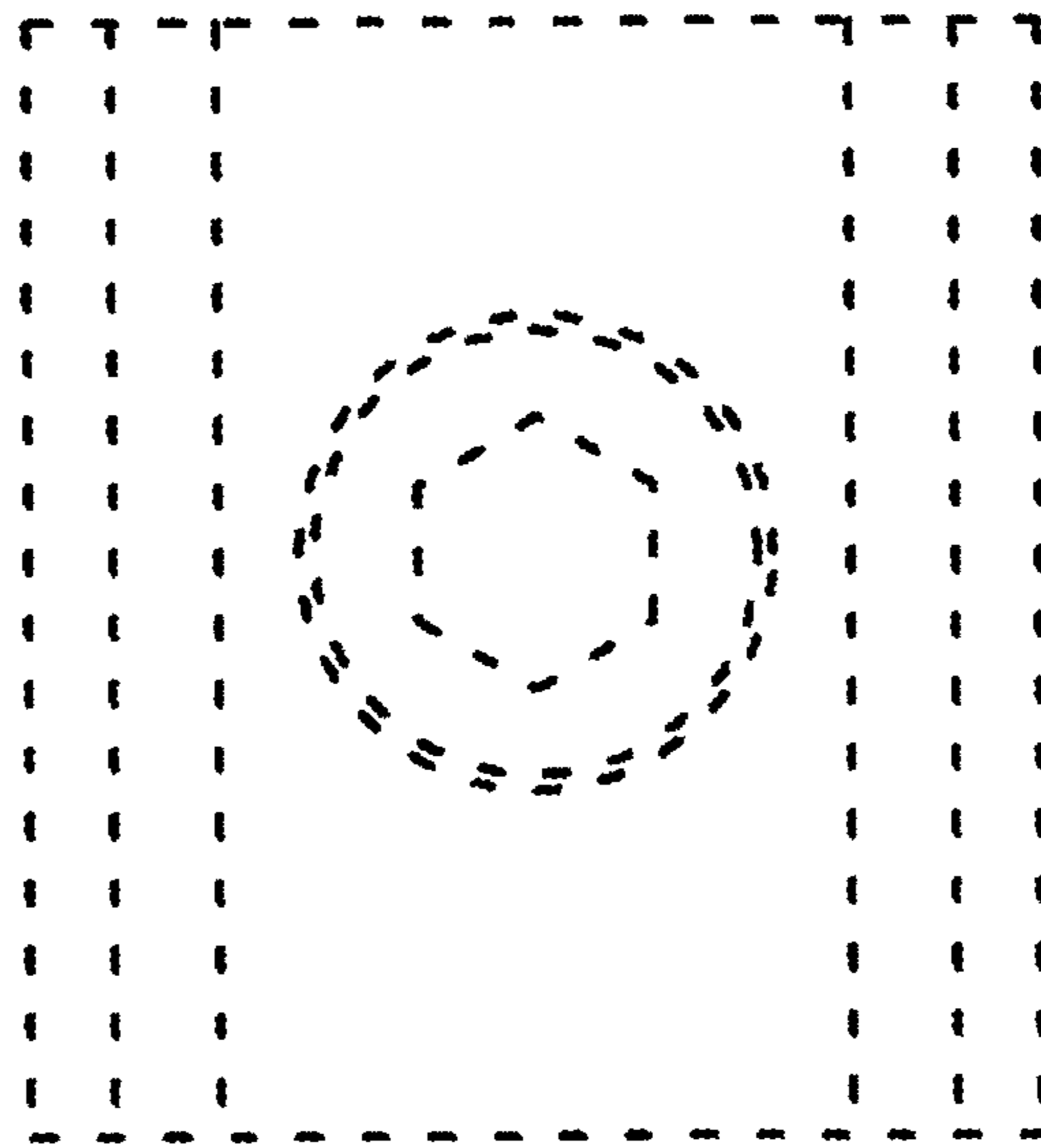


FIG.7

