



US00D919754S

(12) **United States Design Patent** (10) **Patent No.:** **US D919,754 S**
Mogi et al. (45) **Date of Patent:** **** May 18, 2021**

(54) **EXPANSION VALVE**

(56) **References Cited**

(71) Applicant: **FUJIKOKI CORPORATION**, Tokyo (JP)

U.S. PATENT DOCUMENTS

(72) Inventors: **Takashi Mogi**, Tokyo (JP); **Ryo Matsuda**, Tokyo (JP)

D799,640 S * 10/2017 Satake D23/233
D826,379 S * 8/2018 Hayakawa D23/233
D826,380 S * 8/2018 Hayakawa D23/233
D827,092 S * 8/2018 Hayakawa D23/233

(73) Assignee: **FUJIKOKI CORPORATION**, Tokyo (JP)

* cited by examiner

(**) Term: **15 Years**

Primary Examiner — Gino Colan

(21) Appl. No.: **29/701,611**

(74) *Attorney, Agent, or Firm* — Manabu Kanesaka

(22) Filed: **Aug. 13, 2019**

(57) **CLAIM**

The ornamental design for an expansion valve, as shown and described.

(30) **Foreign Application Priority Data**

DESCRIPTION

Jul. 11, 2019 (JP) 2019-015626

FIG. 1 is a perspective view from a top side of an expansion valve showing our new design;

(51) **LOC (13) Cl.** **23-01**

FIG. 2 is a perspective view from a bottom side thereof;

(52) **U.S. Cl.**

FIG. 3 is a front view thereof;

USPC **D23/233**

FIG. 4 is a rear view thereof;

(58) **Field of Classification Search**

USPC D23/233, 235, 247, 248, 249

FIG. 5 is a top plan view thereof;

CPC .. F25B 41/31; F25B 2600/2513; F25B 41/30;

FIG. 6 is a bottom view thereof; and,

F16K 31/002; F16K 1/14; F16K 27/0245;

FIG. 7 is a right side view thereof, left side view being symmetrical to the right side view.

F16K 1/54

The broken lines depict portions of the expansion valve that form no part of claimed design.

See application file for complete search history.

1 Claim, 7 Drawing Sheets

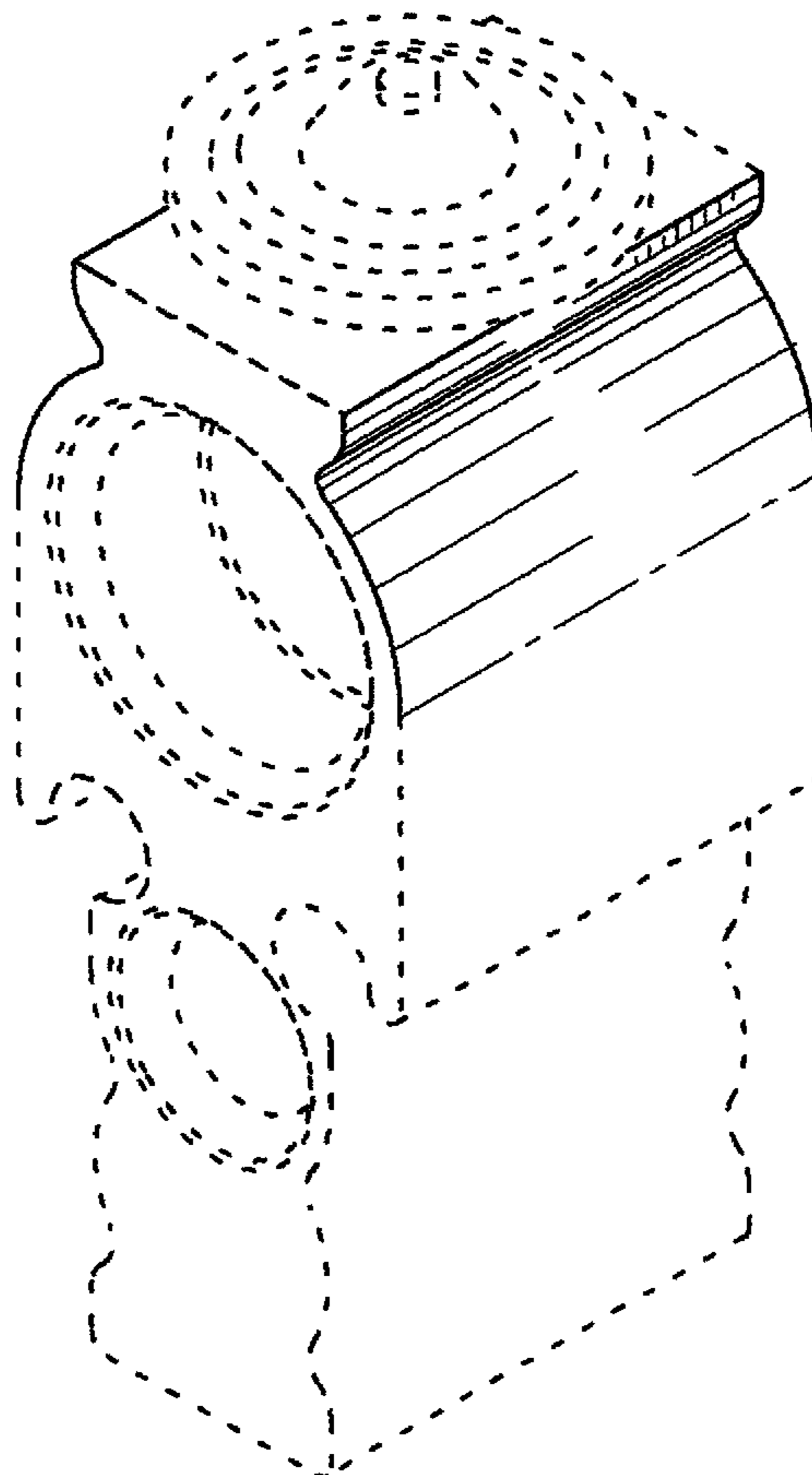


FIG. 1

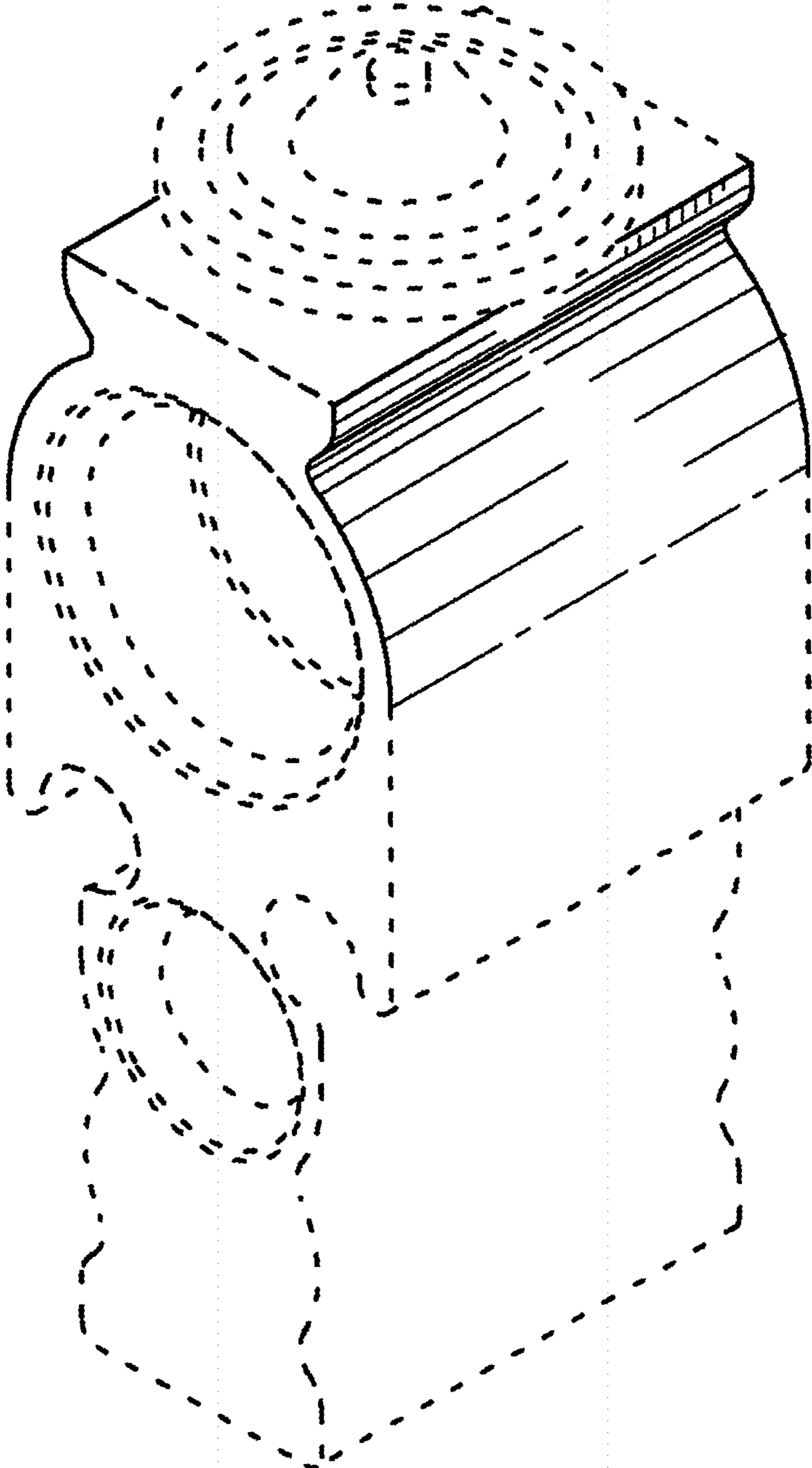


FIG. 2

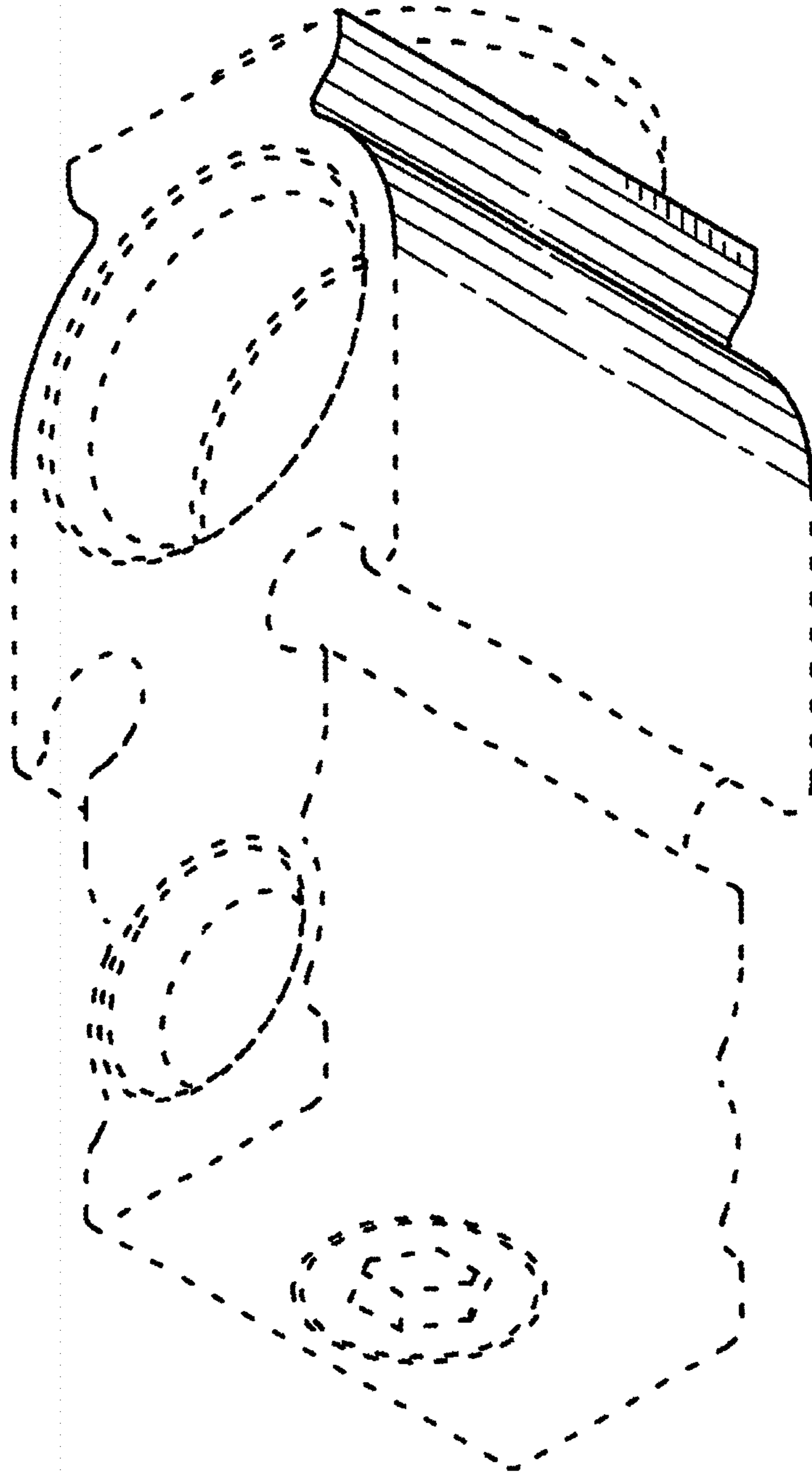


FIG. 3

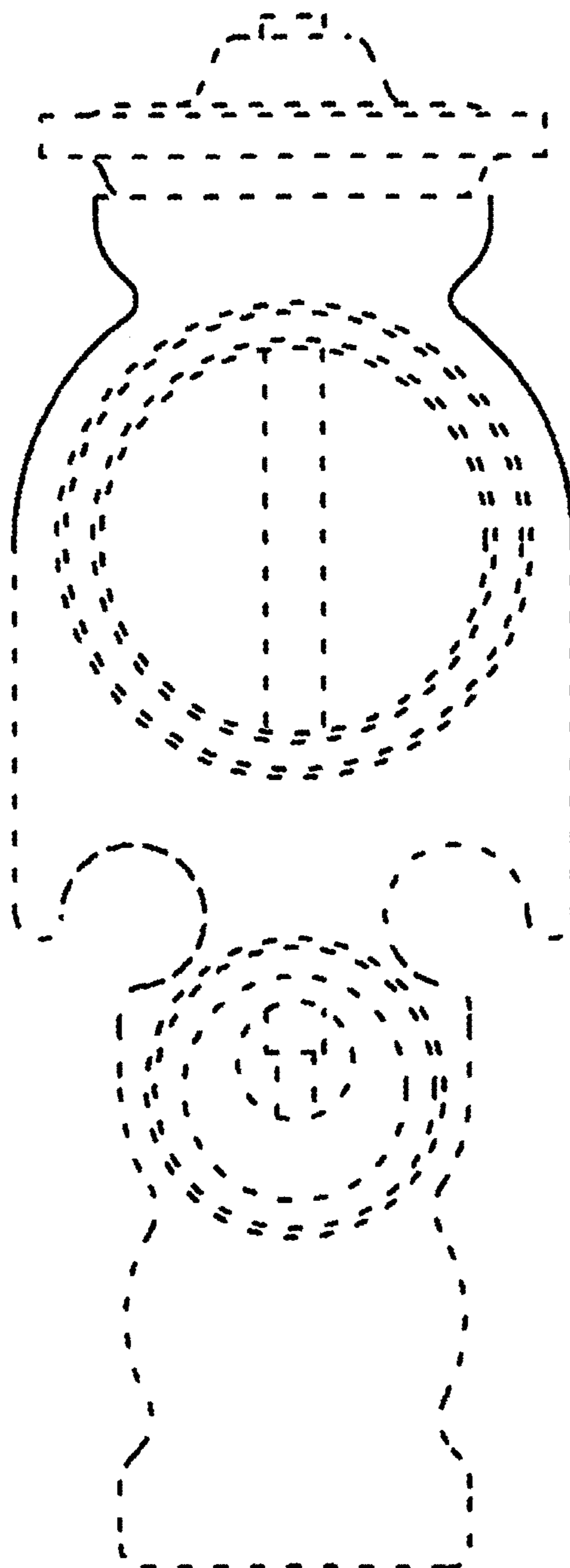


FIG. 4

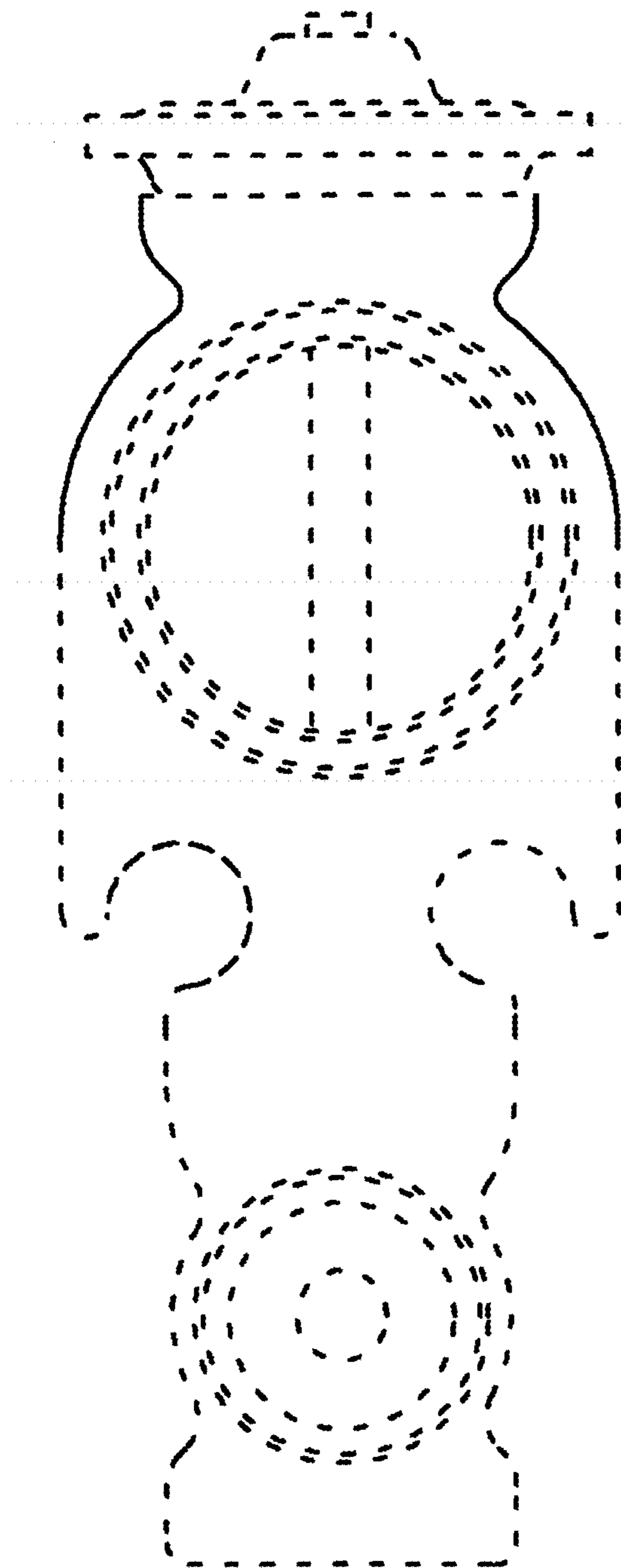


FIG. 5

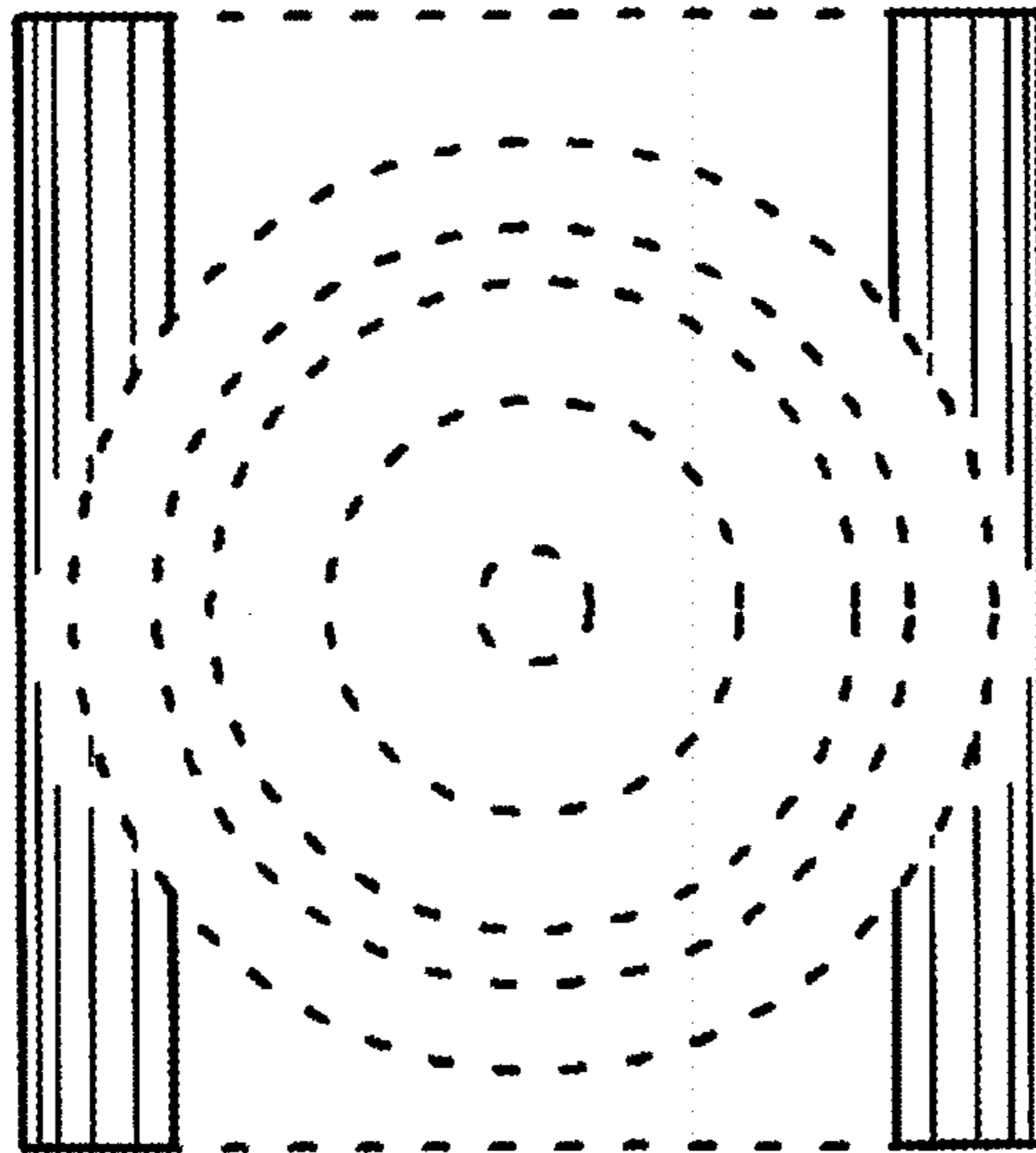


FIG. 6

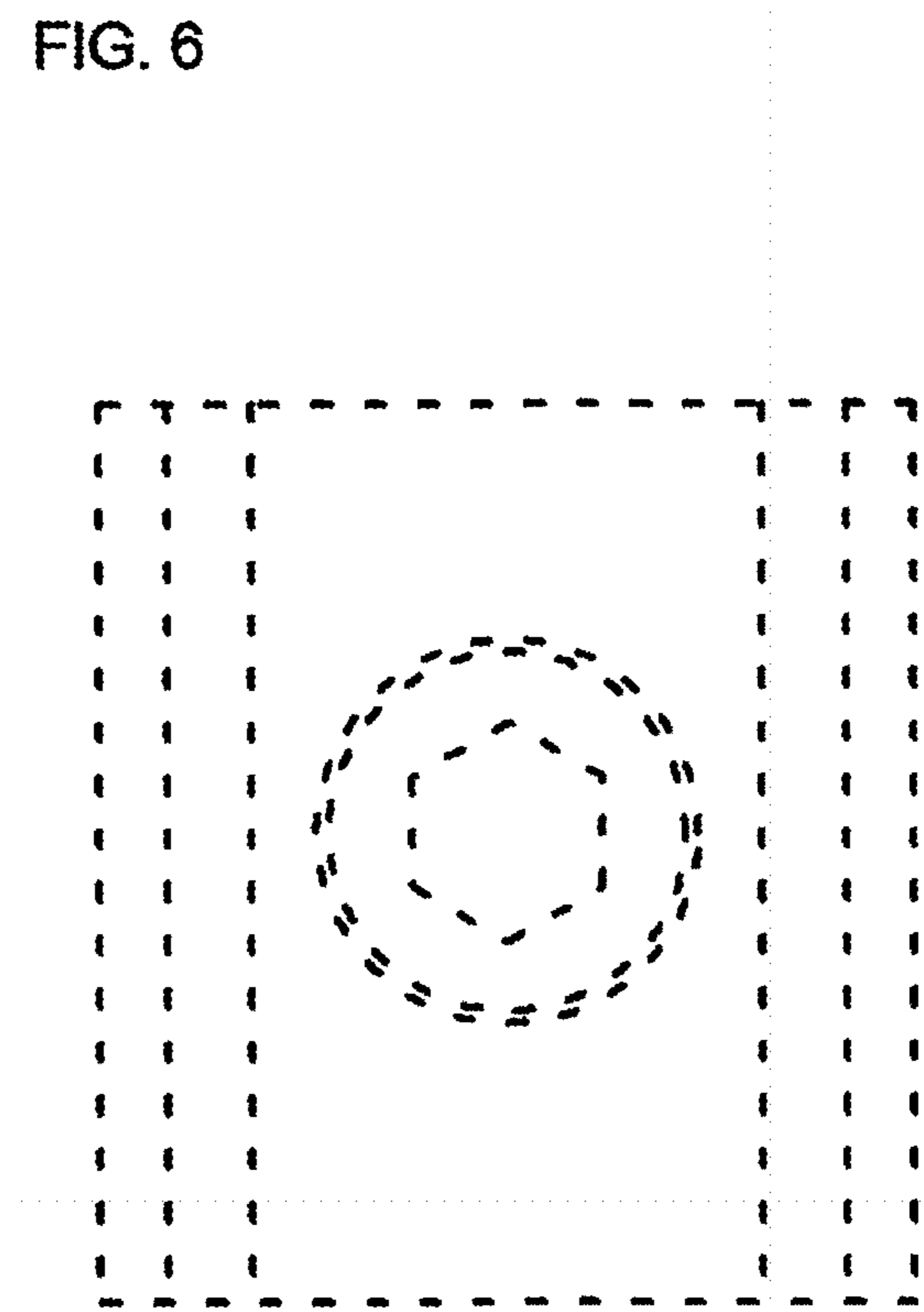


FIG. 7

