



US00D919752S

(12) **United States Design Patent**
Chen

(10) **Patent No.:** **US D919,752 S**
(45) **Date of Patent:** **** May 18, 2021**

(54) **GARDENING SPRAY GUN**
(71) Applicant: **SHIN TAI SPURT WATER OF THE GARDEN TOOLS CO., LTD.,**
Lu-Kang Town (TW)
(72) Inventor: **Chin-Yuan Chen,** Lu-Kang Town (TW)
(73) Assignee: **SHIN TAI SPURT WATER OF THE GARDEN TOOLS CO., LTD.,**
Chang-Hua Hsien (TW)

7,434,750 B2 * 10/2008 Roman B05B 12/0026
239/526
D604,395 S * 11/2009 Zore D23/226
D652,113 S * 1/2012 Chen D23/226
D663,013 S * 7/2012 Chen D23/226
D681,777 S * 5/2013 Nies D23/226
8,496,190 B2 * 7/2013 Chen B05B 1/3026
239/394
D746,946 S * 1/2016 Naslund D23/223
D757,898 S * 5/2016 Yu D23/226
(Continued)

(**) Term: **15 Years**

(21) Appl. No.: **29/705,946**

(22) Filed: **Sep. 17, 2019**

(51) **LOC (13) Cl.** **23-01**

(52) **U.S. Cl.**
USPC **D23/226**

(58) **Field of Classification Search**
USPC D8/2; D23/213, 223, 224, 226, 229, 230
CPC B05B 1/16; B05B 9/01; B05B 12/002;
B05B 12/0022; B05B 12/0024; B05B
12/0026; B05B 15/63; B25G 1/10; A01M
7/0046
See application file for complete search history.

(56) **References Cited**

U.S. PATENT DOCUMENTS

5,323,968 A * 6/1994 Kingston B05B 1/1636
239/449
6,230,988 B1 * 5/2001 Chao B05B 1/1654
239/394
D447,539 S * 9/2001 Tse D23/226
6,286,767 B1 * 9/2001 Hui-Chen B05B 1/1654
239/392
D477,051 S * 7/2003 Kuo D23/226
7,240,858 B2 * 7/2007 Wang B05B 1/3013
239/526
D553,711 S * 10/2007 Chih D23/226
D554,234 S * 10/2007 Chih D23/226

OTHER PUBLICATIONS

“Maulee Garden Hose Nozzle”, Jun. 17, 2019, Amazon, site visited
Dec. 9, 2020: <https://www.amazon.ca/dp/B07SM5Y32D/> (Year:
2019).*

(Continued)

Primary Examiner — Jack Reickel
Assistant Examiner — Bobby W Jones, II

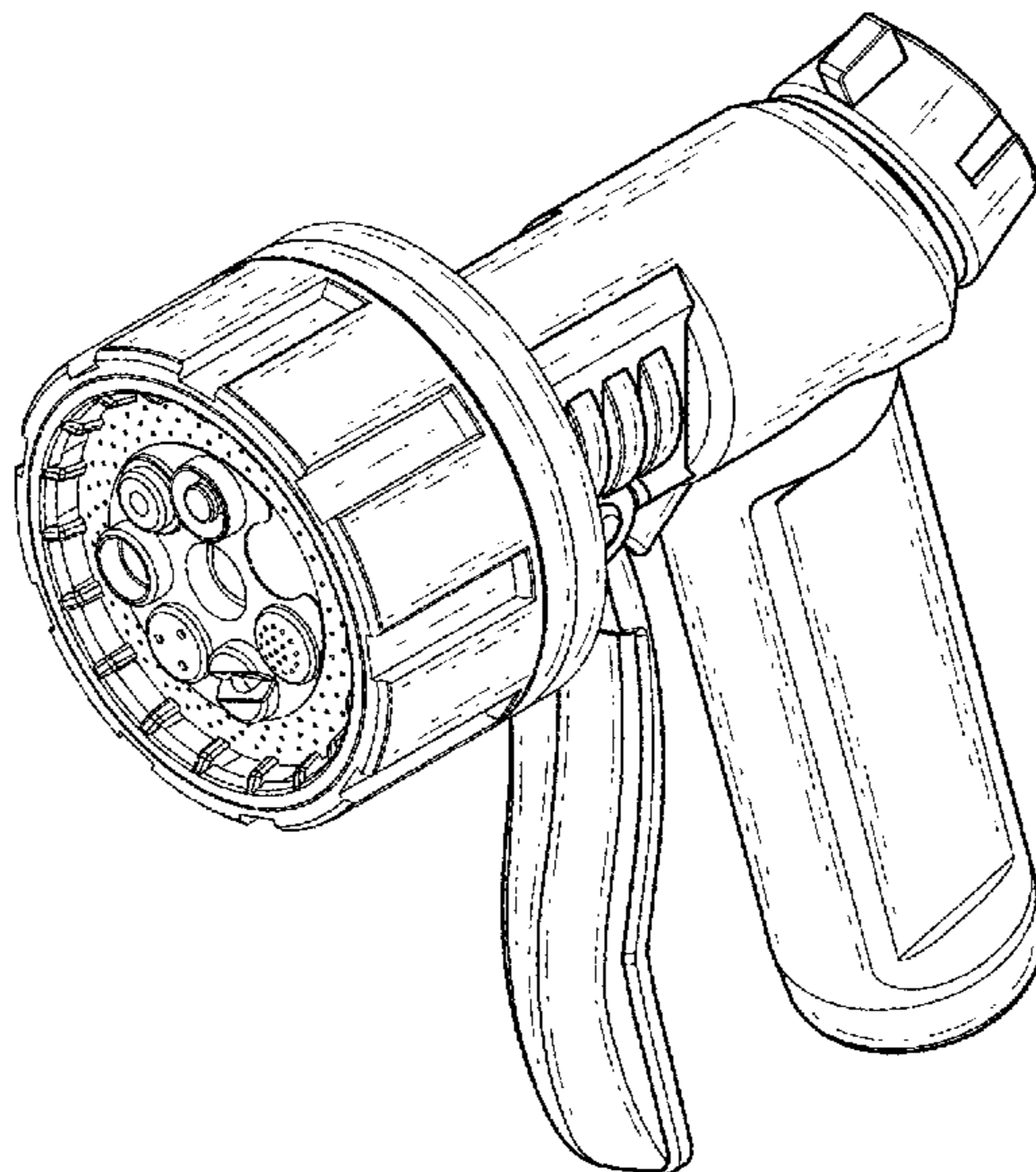
(57) **CLAIM**

The ornamental design for a gardening spray gun, as shown
and described.

DESCRIPTION

FIG. 1 is a perspective view of a gardening spray gun
showing my new design;
FIG. 2 is a front elevational view thereof;
FIG. 3 is a rear elevational view thereof;
FIG. 4 is a left side elevational view thereof;
FIG. 5 is a right side elevational view thereof;
FIG. 6 is a top plan view thereof;
FIG. 7 is a bottom plan view thereof; and,
FIG. 8 is another perspective schematic view of a gardening
spray gun showing my design.
The broken line showing of a gardening spray gun is
included for the purpose of illustrating portions of the article
and forms no part of the claimed design.

1 Claim, 6 Drawing Sheets



(56)

References Cited

U.S. PATENT DOCUMENTS

D764,025 S * 8/2016 Jenkins D23/226
D774,164 S * 12/2016 Chen D23/226
D783,125 S * 4/2017 Chen D23/226
9,687,870 B2 * 6/2017 Yu B05B 1/16
D832,978 S * 11/2018 Miyawaki D23/226
10,239,074 B2 * 3/2019 Walters B05B 15/652
D849,889 S * 5/2019 Pease D23/226
D865,909 S * 11/2019 Hsieh D23/213
2012/0298778 A1 * 11/2012 Chen B05B 9/01
239/394

OTHER PUBLICATIONS

“Orbit 56252”, Nov. 28, 2012, Amazon, site visited Dec. 9, 2020:
<https://www.amazon.ca/dp/B003LY4I3C/> (Year: 2012).*

* cited by examiner

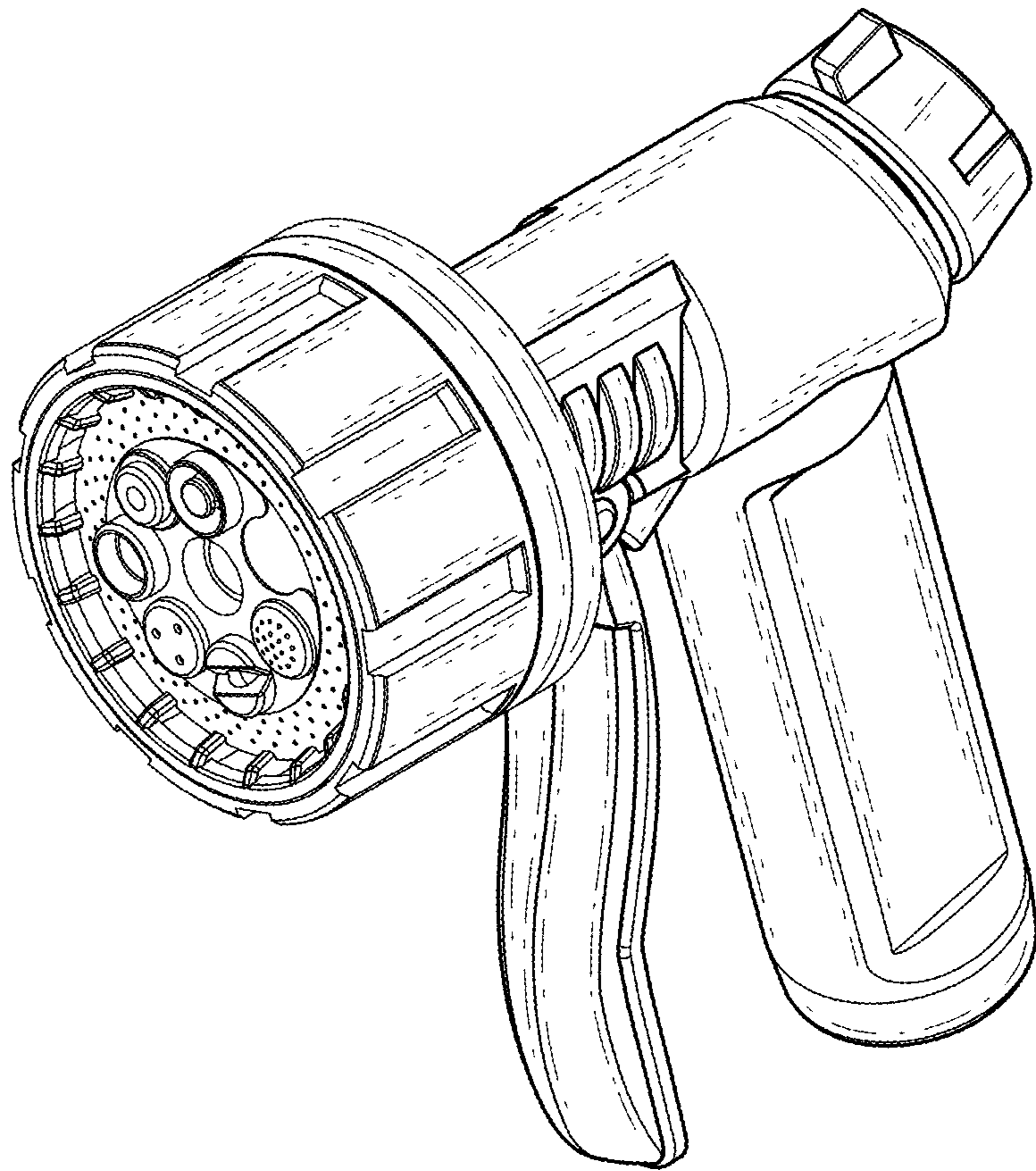


FIG.1

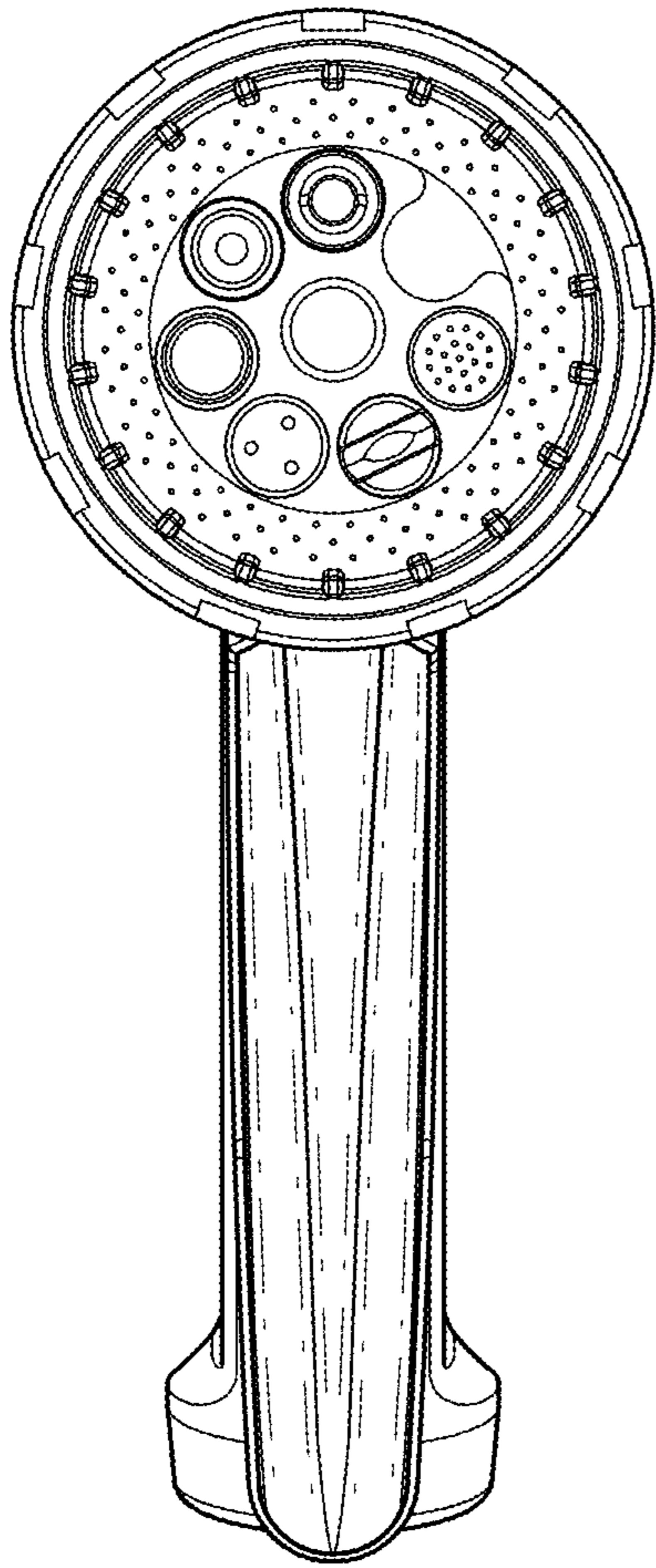


FIG.2

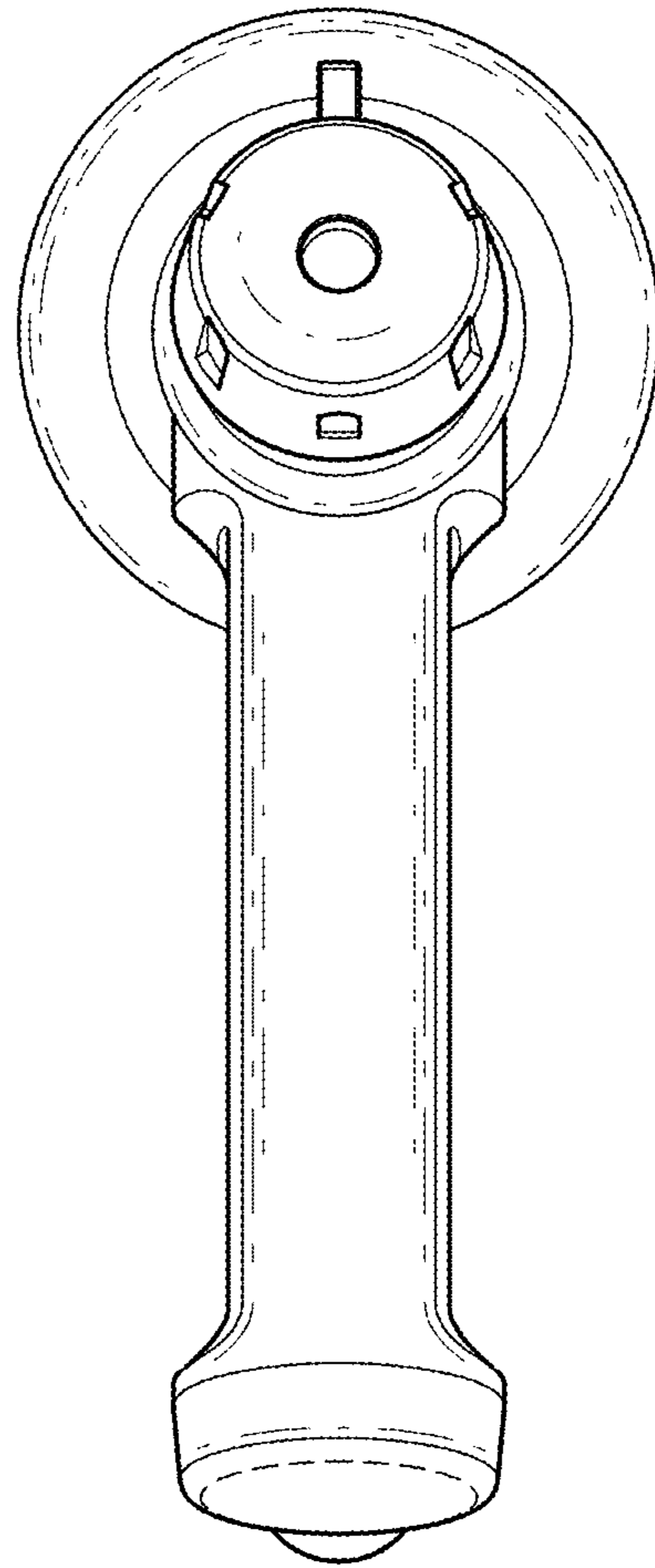


FIG.3

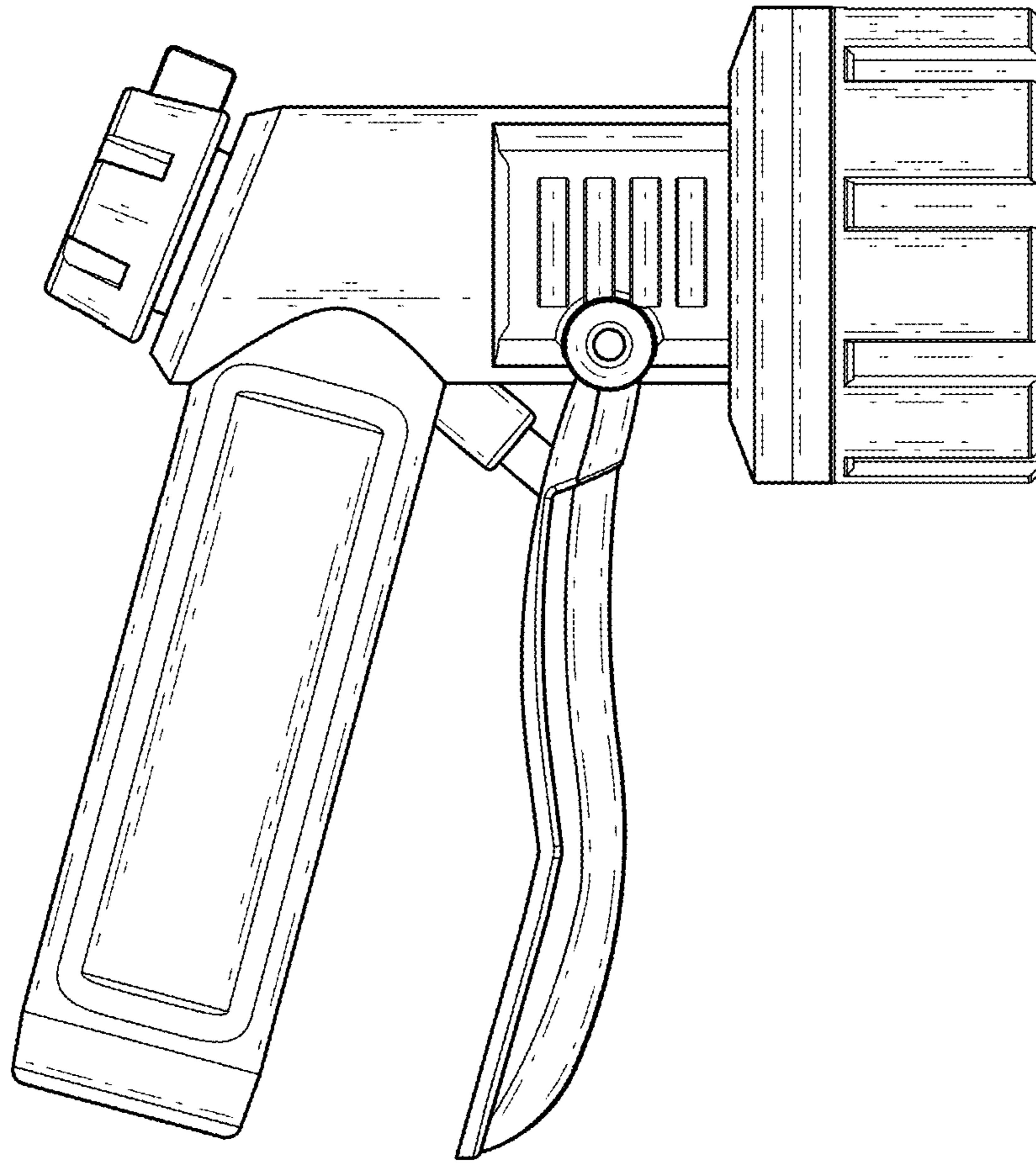


FIG.4

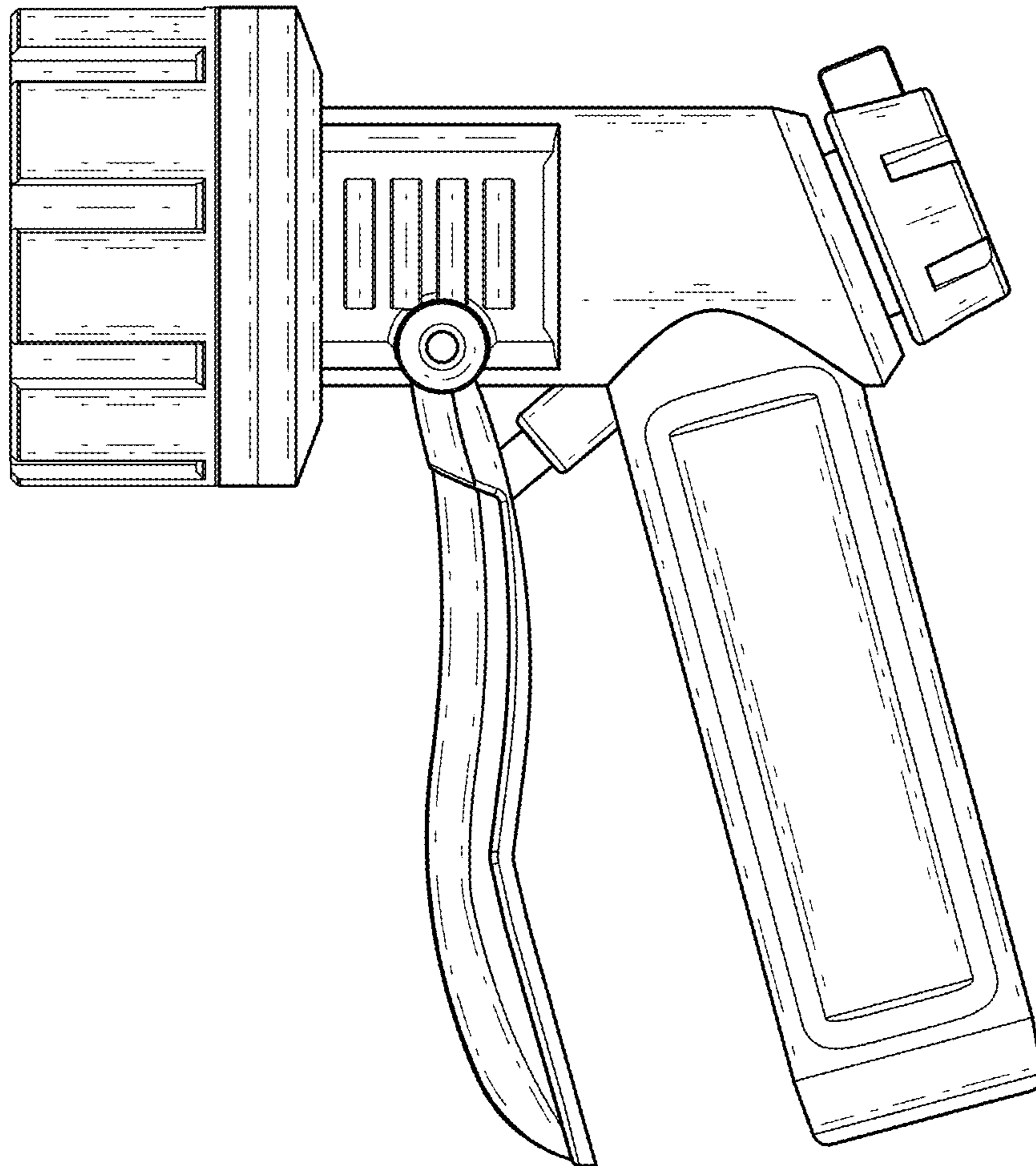


FIG.5

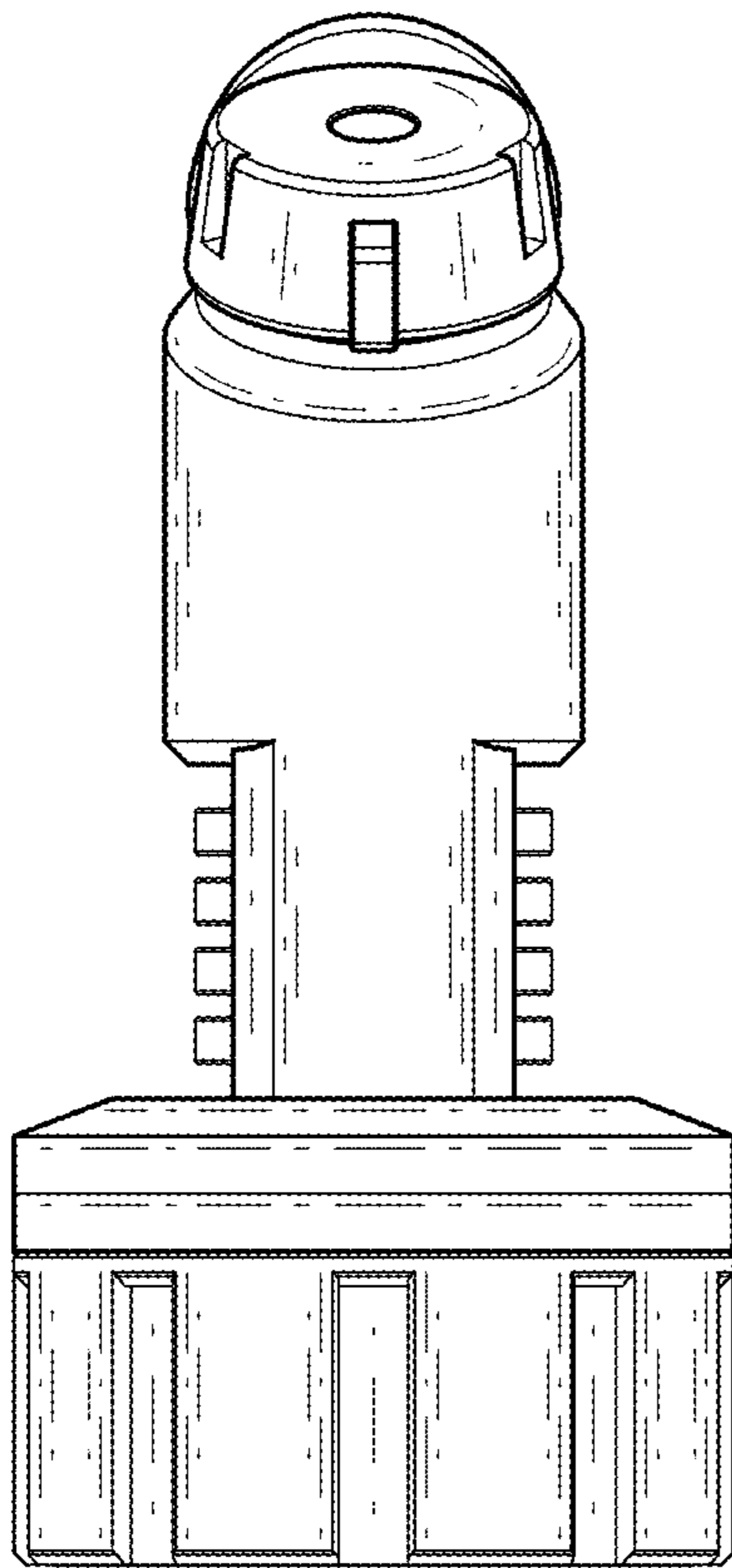


FIG.6

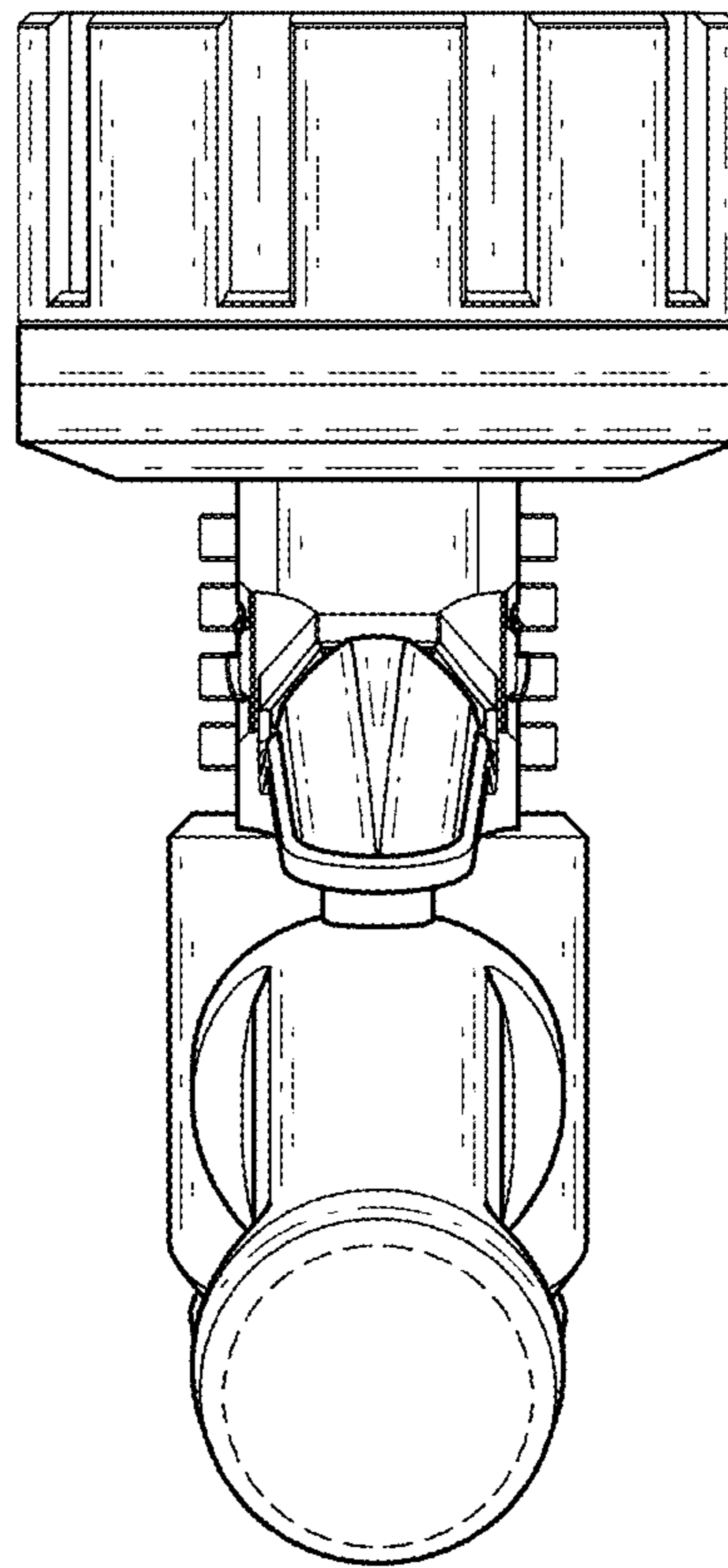


FIG.7

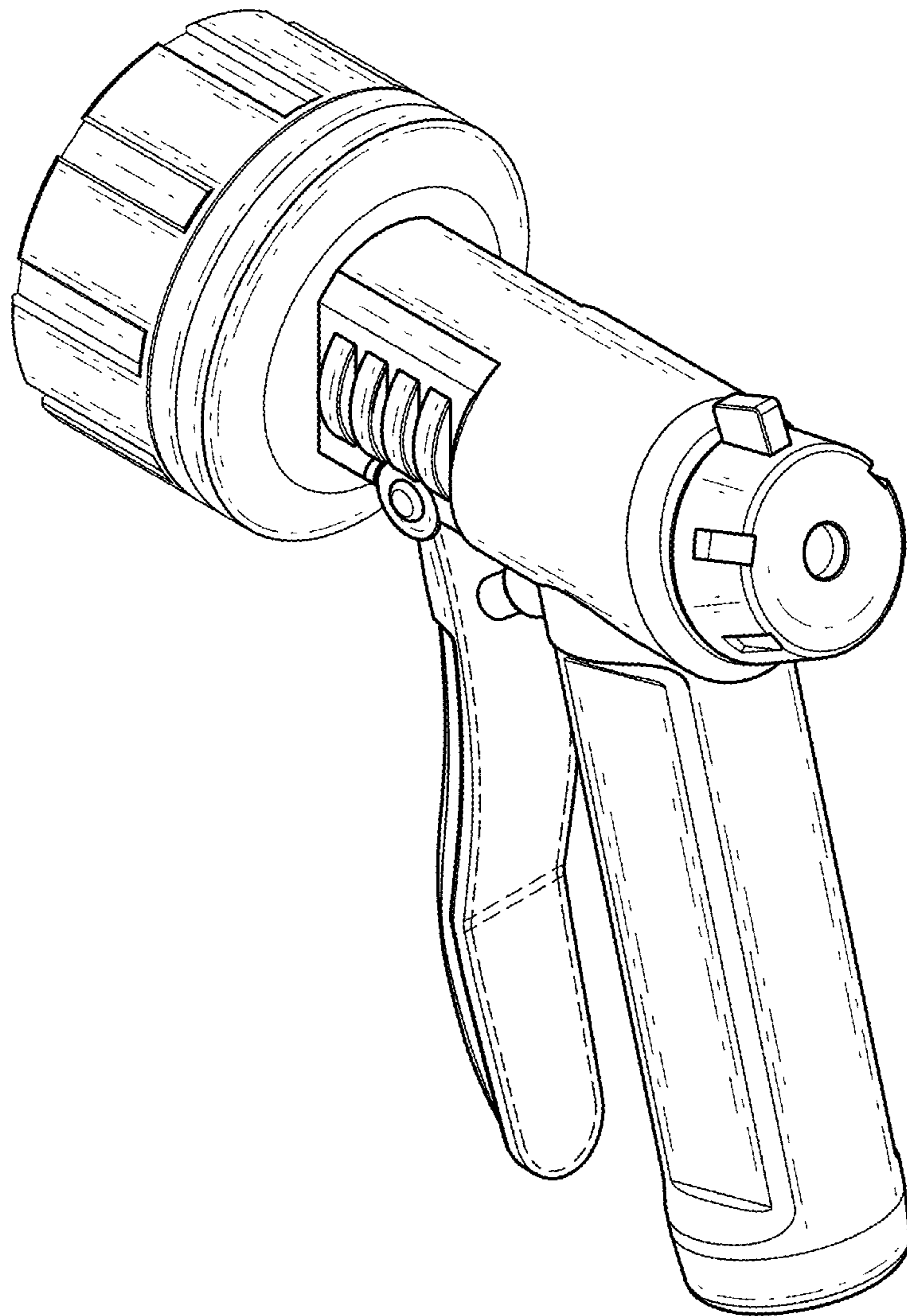


FIG.8