



US00D919751S

(12) **United States Design Patent**  
**Chen**

(10) **Patent No.:** **US D919,751 S**

(45) **Date of Patent:** **\*\* May 18, 2021**

- (54) **HANDHELD SPRAY GUN**
- (71) Applicant: **SHIN TAI SPURT WATER OF THE GARDEN TOOLS CO., LTD.,**  
Chang-Hua Hsien (TW)
- (72) Inventor: **Chin-Yuan Chen, Chang-Hua Hsien**  
(TW)
- (73) Assignee: **SHIN TAI SPURT WATER OF THE GARDEN TOOLS CO., LTD.,**  
Chang-Hua Hsien (TW)

8,950,693 B2 \* 2/2015 Hsieh ..... B05B 9/01  
239/526  
D726,872 S \* 4/2015 Thurgood ..... D23/223  
9,707,573 B1 \* 7/2017 Huang ..... B05B 12/002  
9,861,992 B1 \* 1/2018 Chen ..... B05B 9/01  
D821,544 S \* 6/2018 Urry ..... D23/223  
D822,160 S \* 7/2018 Urry ..... D23/223  
D846,072 S \* 4/2019 Pease ..... D23/223  
2005/0274825 A1 \* 12/2005 Seguin ..... A62C 31/02  
239/525

(Continued)

(\*\*) Term: **15 Years**

(21) Appl. No.: **29/705,941**

(22) Filed: **Sep. 17, 2019**

(51) **LOC (13) Cl.** ..... **23-01**

(52) **U.S. Cl.**  
USPC ..... **D23/226**

(58) **Field of Classification Search**  
USPC ..... D8/2; D23/213, 223, 224, 226, 229, 230  
CPC ..... B05B 1/16; B05B 9/01; B05B 12/002;  
B05B 12/0022; B05B 12/0024; B05B  
12/0026; B05B 15/63; B25G 1/10; A01M  
7/0046

See application file for complete search history.

(56) **References Cited**

**U.S. PATENT DOCUMENTS**

D369,207 S \* 4/1996 Wang ..... D23/223  
D407,140 S \* 3/1999 Heren ..... D23/223  
7,124,965 B1 \* 10/2006 Chen ..... A62C 31/02  
239/525  
7,195,181 B2 \* 3/2007 Steingass ..... B05B 1/304  
169/14  
7,328,860 B1 \* 2/2008 Chen ..... B05B 1/3026  
137/625.31  
7,434,751 B1 \* 10/2008 Chen ..... B05B 1/1636  
239/447  
D666,275 S \* 8/2012 DeVore ..... D23/223

**OTHER PUBLICATIONS**

“Gilmour Heavy Duty Mid-Size Fireman-Style Cleaning Nozzle (FD2)”, Aug. 7, 2014, Amazon, Site visited Dec. 9, 2020: <https://www.amazon.ca/dp/B004W2GOLQ/> (Year: 2014).\*

(Continued)

*Primary Examiner* — Jack Reickel  
*Assistant Examiner* — Bobby W Jones, II

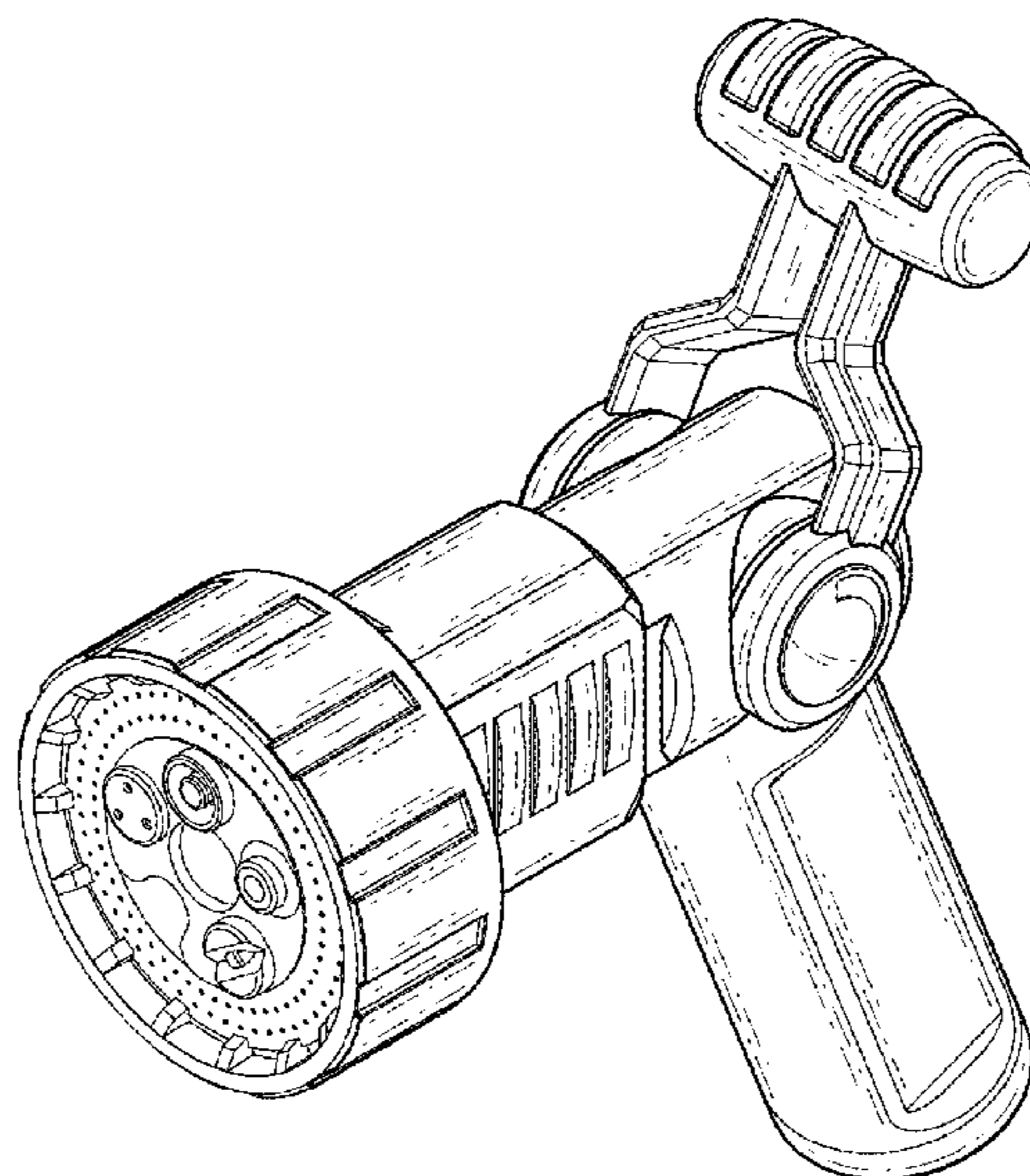
(57) **CLAIM**

The ornamental design for a handheld spray gun, as shown and described.

**DESCRIPTION**

FIG. 1 is a perspective view of a handheld spray gun showing my new design;  
FIG. 2 is a front elevational view thereof;  
FIG. 3 is a rear elevational view thereof;  
FIG. 4 is a left side elevational view thereof;  
FIG. 5 is a right side elevational view thereof;  
FIG. 6 is a top plan view thereof;  
FIG. 7 is a bottom plan view thereof; and,  
FIG. 8 is another perspective schematic view of a handheld spray gun showing my design.  
The broken line showing of a handheld spray gun is included for the purpose of illustrating portions of the article and forms no part of the claimed design.

**1 Claim, 6 Drawing Sheets**



(56)

**References Cited**

U.S. PATENT DOCUMENTS

2010/0282870 A1\* 11/2010 Chen ..... B25G 3/20  
239/525  
2011/0220738 A1\* 9/2011 Cheng ..... B05B 1/3026  
239/526  
2013/0015270 A1\* 1/2013 Lai ..... B05B 1/3026  
239/526  
2013/0075497 A1\* 3/2013 Hung ..... B05B 9/01  
239/525  
2014/0367497 A1\* 12/2014 Hsieh ..... B05B 9/01  
239/526

OTHER PUBLICATIONS

“Gilmour FD1 Turbo Nozzle”, Nov. 1, 2011, Amazon, Site visited  
Dec. 9, 2020: [https://www.amazon.ca/dp/B000UOE94Y/\(Year: 2011\).\\*](https://www.amazon.ca/dp/B000UOE94Y/(Year: 2011).*)

\* cited by examiner

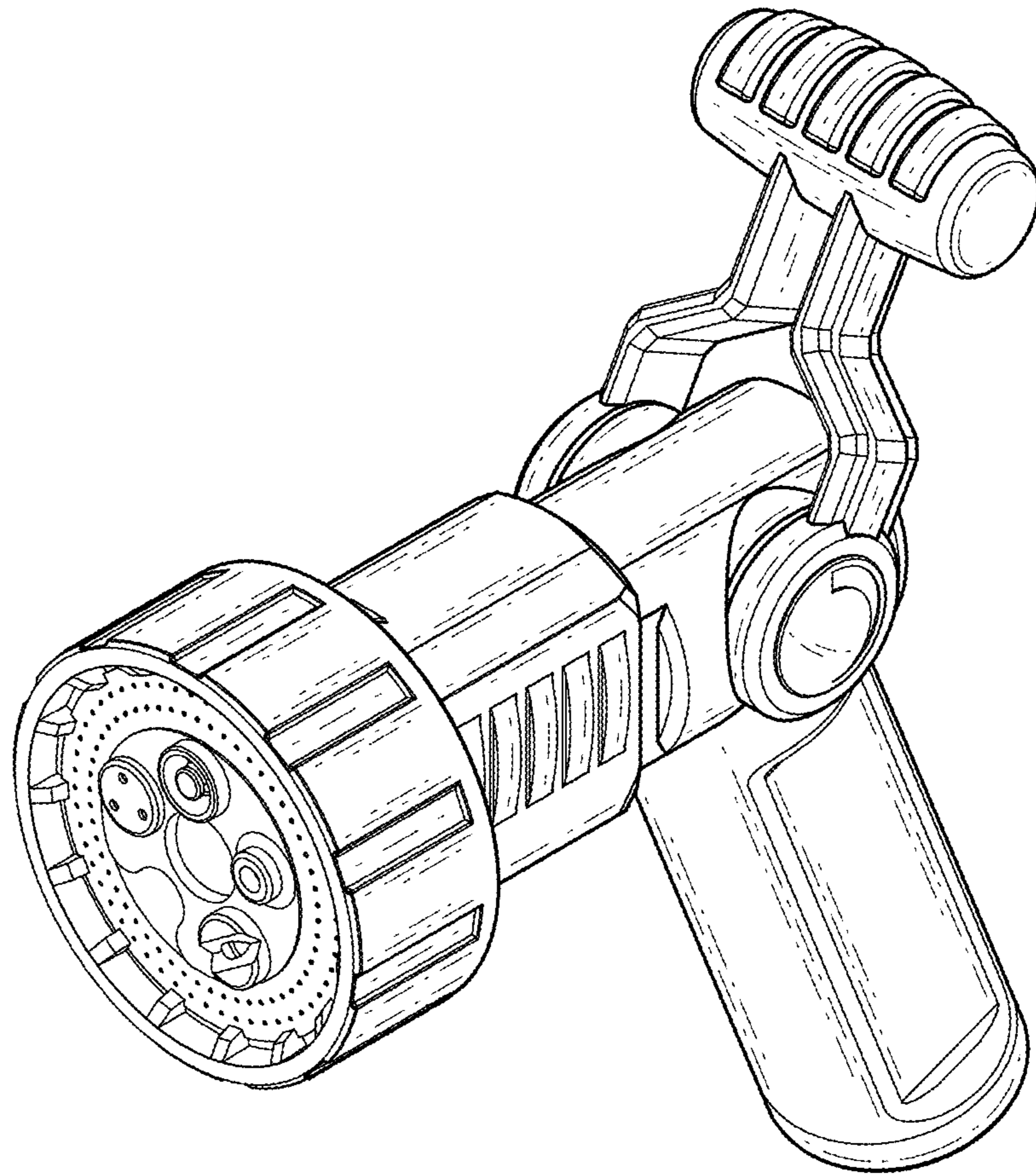


FIG.1

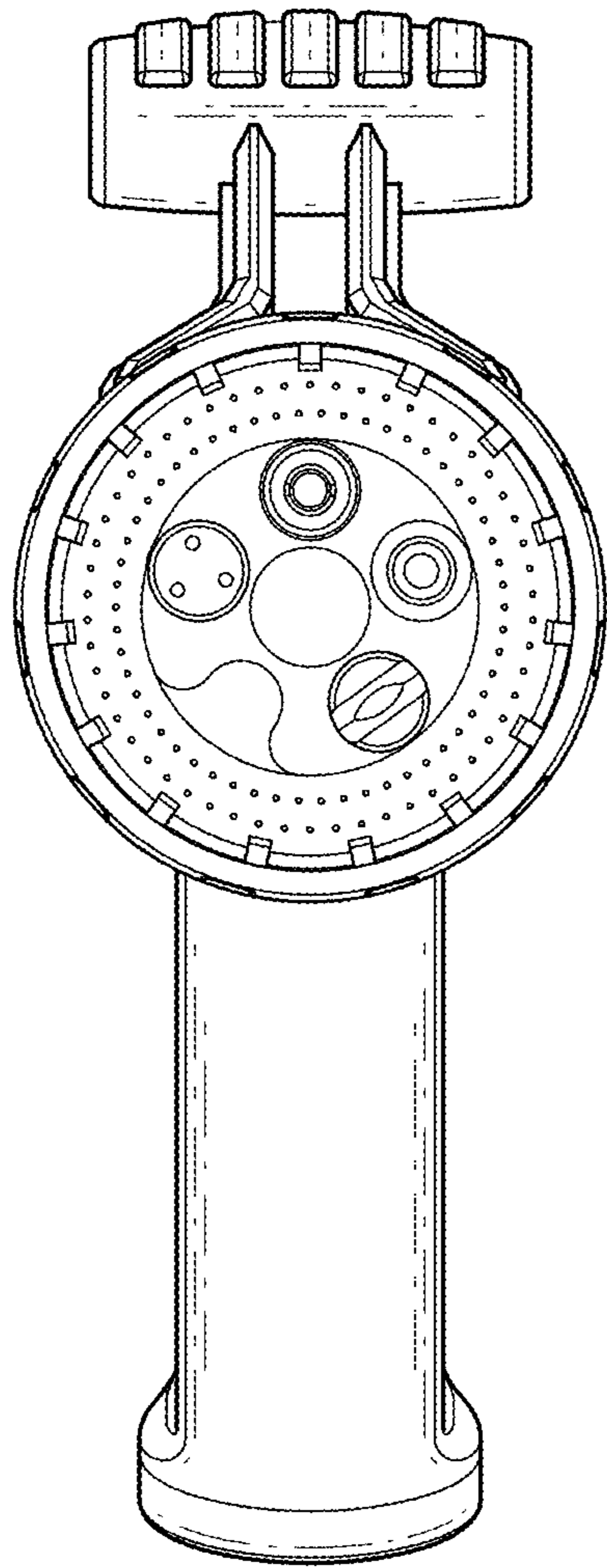


FIG. 2

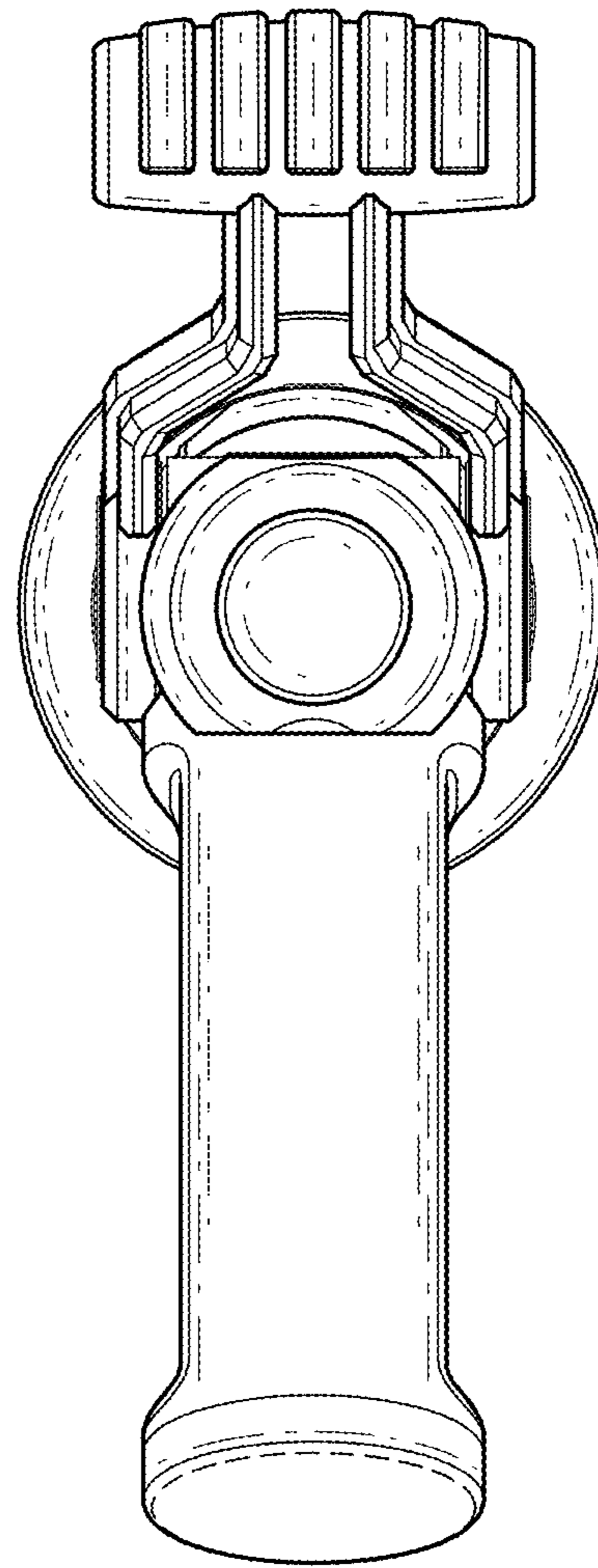


FIG. 3

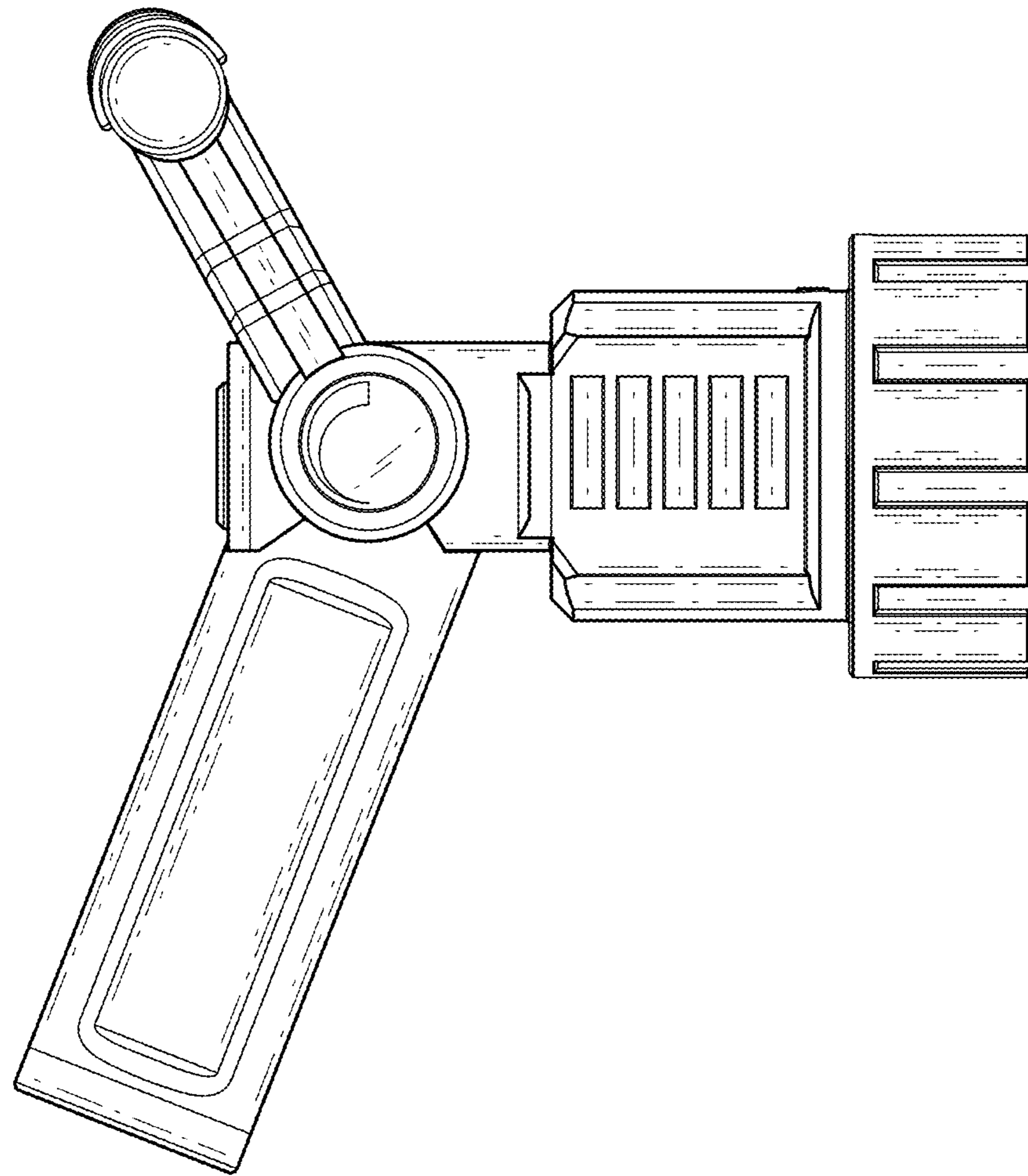


FIG.4

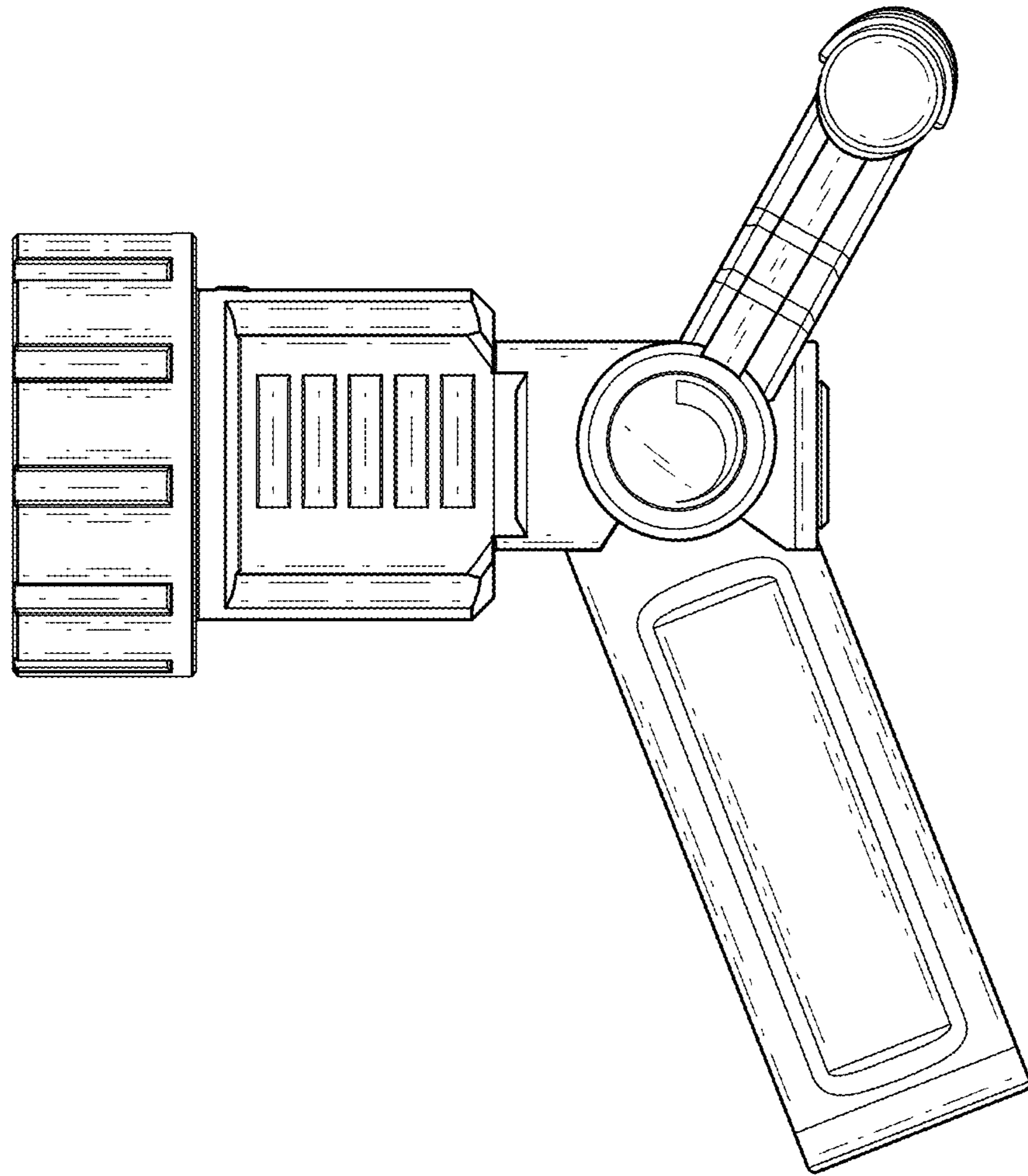


FIG.5

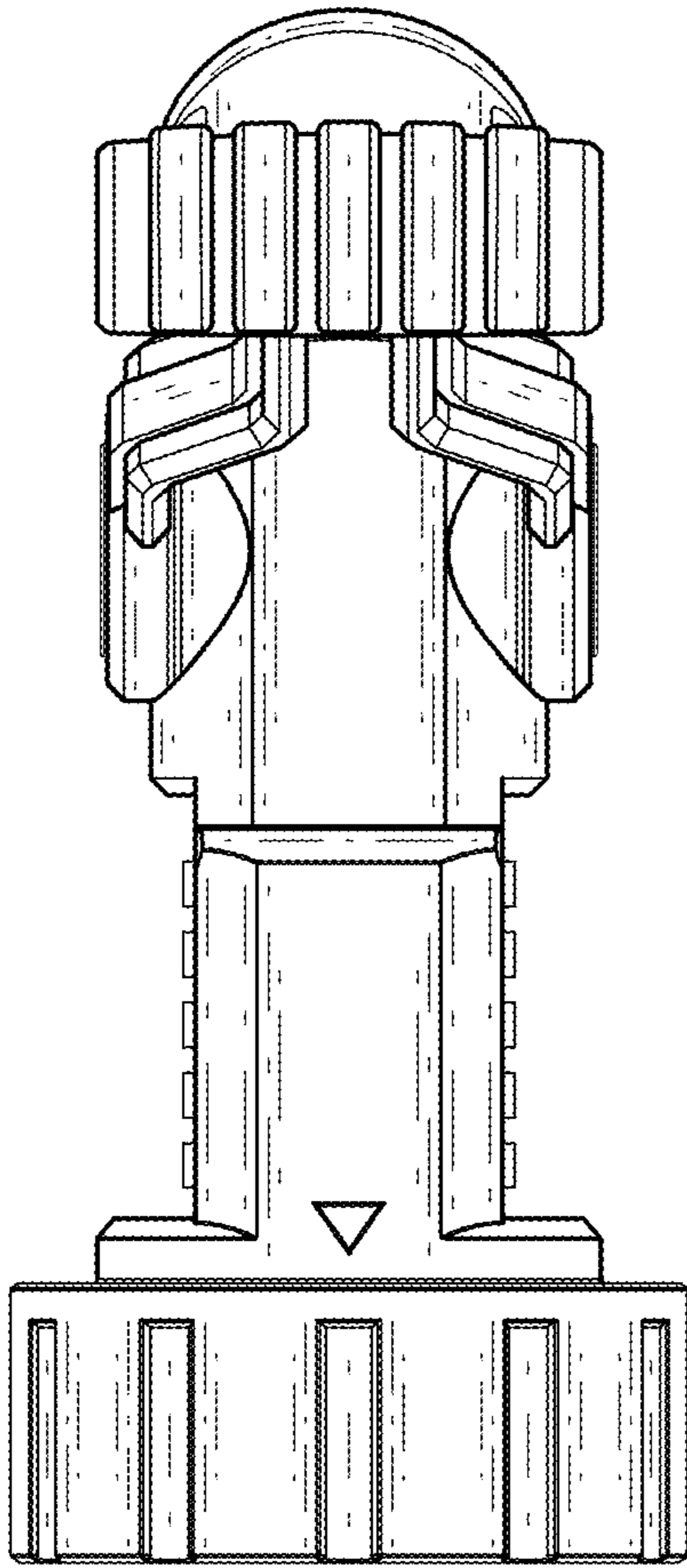


FIG. 6

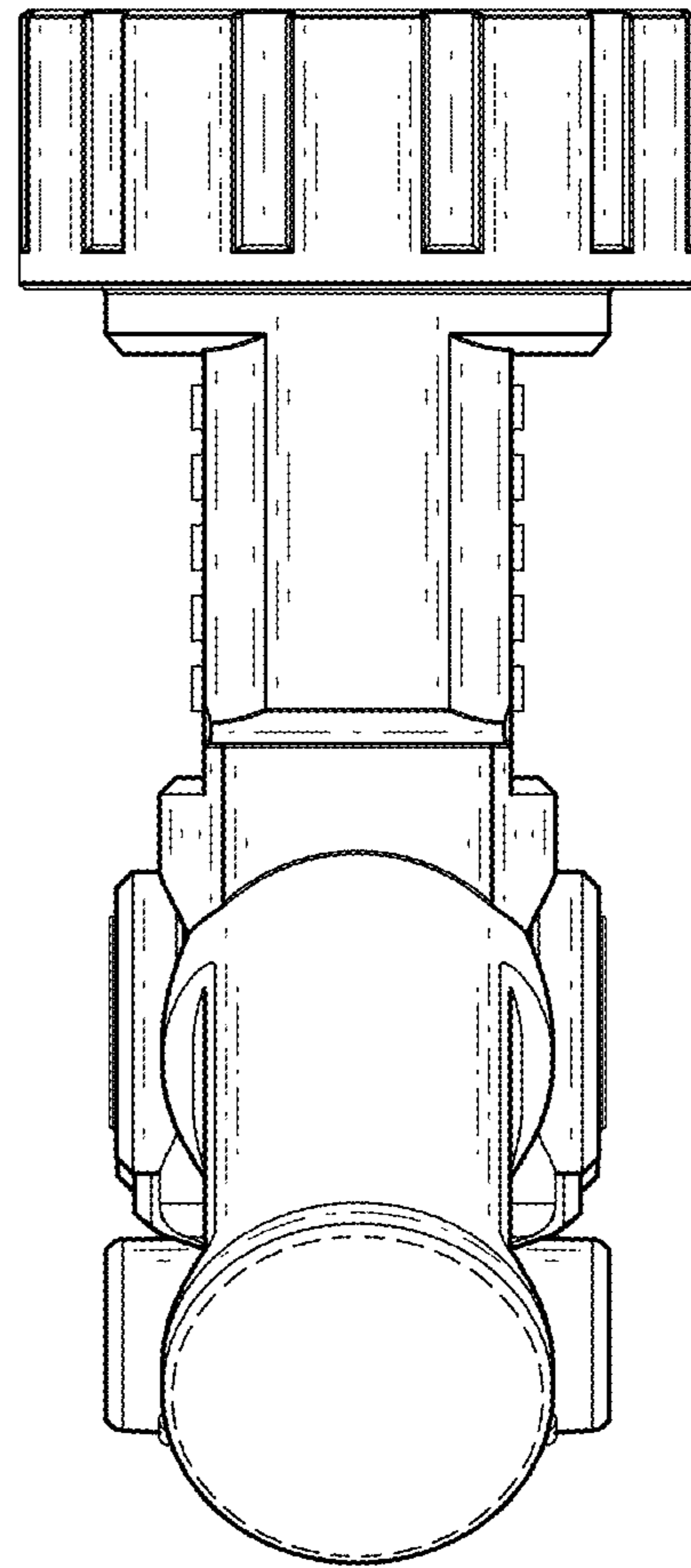


FIG. 7

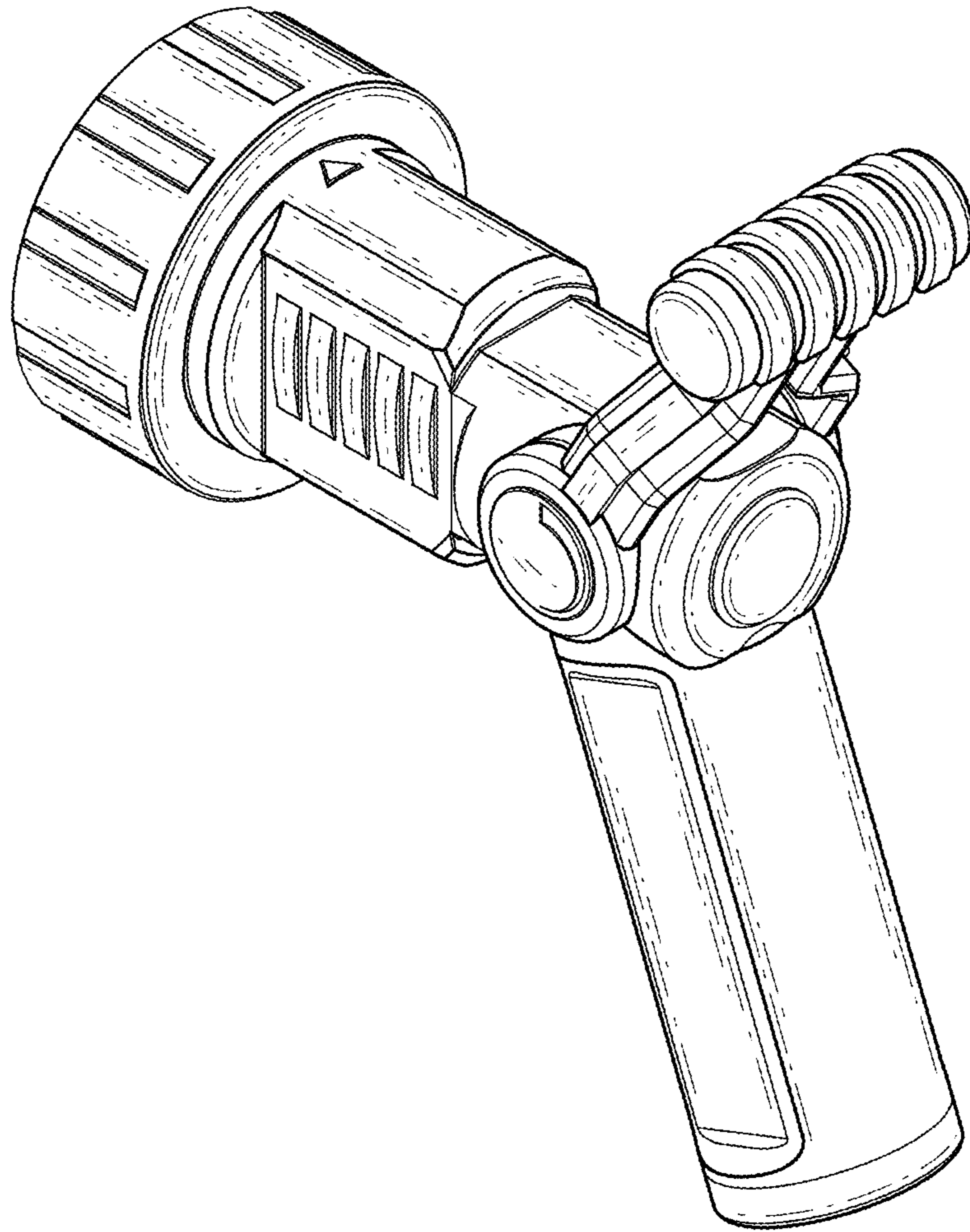


FIG.8