



US00D919750S

(12) **United States Design Patent**  
**Chen**

(10) **Patent No.:** **US D919,750 S**

(45) **Date of Patent:** **\*\* May 18, 2021**

(54) **HANDHELD SPRAY GUN**

(71) Applicant: **SHIN TAI SPURT WATER OF THE GARDEN TOOLS CO., LTD.,**  
Lu-Kang Town (TW)

(72) Inventor: **Chin-Yuan Chen,** Lu-Kang Town (TW)

(73) Assignee: **SHIN TAI SPURT WATER OF THE GARDEN TOOLS CO., LTD.,**  
Chang-Hua Hsien (TW)

(\*\*) Term: **15 Years**

(21) Appl. No.: **29/700,402**

(22) Filed: **Aug. 1, 2019**

(51) **LOC (13) Cl.** ..... **23-01**

(52) **U.S. Cl.**  
USPC ..... **D23/226**

(58) **Field of Classification Search**  
USPC ..... D8/2; D23/213, 223, 224, 226, 229, 230  
CPC ..... B05B 1/16; B05B 9/01; B05B 12/002;  
B05B 12/0022; B05B 12/0024; B05B  
12/0026; B05B 15/63; B25G 1/10; A01M  
7/0046

See application file for complete search history.

(56) **References Cited**

**U.S. PATENT DOCUMENTS**

D225,736 S *	1/1973	Mango et al.	.....	D23/226
D340,762 S *	10/1993	Wang	.....	D23/226
5,348,228 A *	9/1994	Wang	.....	B05B 1/16 239/394
D379,491 S *	5/1997	Goodin	.....	D23/226
D383,522 S *	9/1997	Guo	.....	D23/226
D384,398 S *	9/1997	Wang	.....	D23/223
D390,635 S *	2/1998	Guo	.....	D23/223
D391,627 S *	3/1998	Goodin	.....	D23/226
D392,719 S *	3/1998	Guo	.....	D23/223
D404,798 S *	1/1999	Goodin	.....	D23/226
D408,496 S *	4/1999	Wang	.....	D23/226

D426,285 S *	6/2000	Heren	.....	D23/226
6,193,171 B1 *	2/2001	Albertson	.....	B05B 3/04 239/381
D471,957 S *	3/2003	Nien	.....	D23/226
D479,575 S *	9/2003	Chen	.....	D23/226
D534,240 S *	12/2006	Wang	.....	D23/226
D537,504 S *	2/2007	Luo	.....	D23/226
D553,712 S *	10/2007	Chih	.....	D23/226
D557,768 S *	12/2007	Chih	.....	D23/226

(Continued)

**OTHER PUBLICATIONS**

“Orbit SunMate 3 Piece Nozzle Set”, Nov. 2, 2012, Amazon, Site visited Nov. 30, 2020: <https://www.amazon.ca/dp/B004RUBFN0/> (Year: 2012).\*

(Continued)

*Primary Examiner* — Jack Reickel

*Assistant Examiner* — Bobby W Jones, II

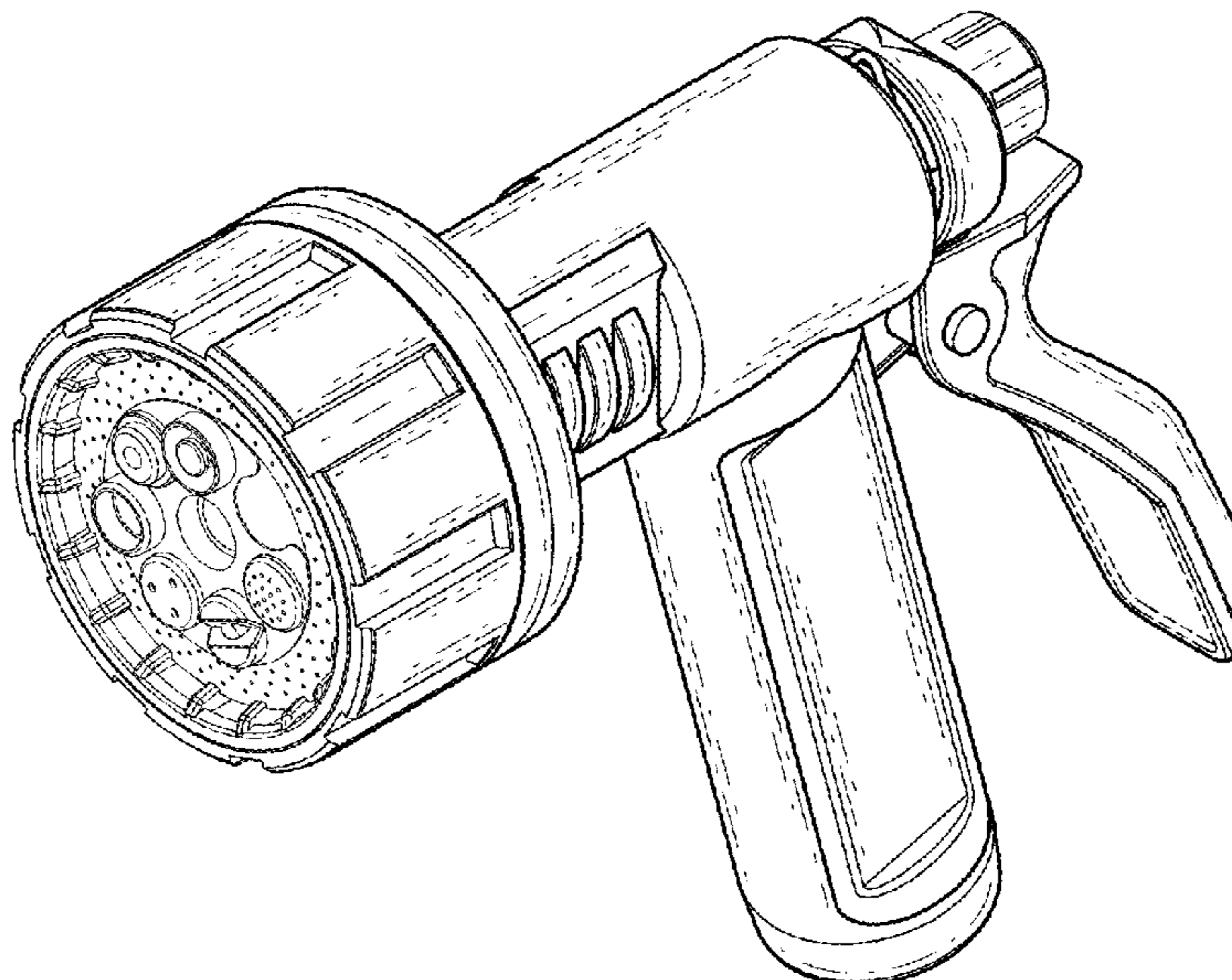
(57) **CLAIM**

The ornamental design for a handheld spray gun, as shown and described.

**DESCRIPTION**

FIG. 1 is a perspective view of a handheld spray gun showing my new design;  
FIG. 2 is a front elevational view thereof;  
FIG. 3 is a rear elevational view thereof;  
FIG. 4 is a left side elevational view thereof;  
FIG. 5 is a right side elevational view thereof;  
FIG. 6 is a top plan view thereof;  
FIG. 7 is a bottom plan view thereof; and,  
FIG. 8 is another perspective schematic view of a handheld spray gun showing my design.  
The broken line showing of a handheld spray gun is included for the purpose of illustrating portions of the article and forms no part of the claimed design.

**1 Claim, 6 Drawing Sheets**



(56)

**References Cited**

U.S. PATENT DOCUMENTS

D605,251 S \* 12/2009 Zore ..... D23/226  
D779,040 S \* 2/2017 Chen ..... D23/226  
D828,494 S \* 9/2018 Horeth ..... D23/223  
D839,992 S \* 2/2019 Svendsen ..... D23/226  
2007/0034719 A1\* 2/2007 Luo ..... B05B 1/3046  
239/526  
2009/0224073 A1\* 9/2009 Hsieh ..... B05B 1/169  
239/394  
2017/0128959 A1\* 5/2017 Chen ..... B05B 1/169

OTHER PUBLICATIONS

"Best Garden Hose Nozzle" Dec. 1, 2016, Amazon, site visited Dec. 9, 2020: <https://www.amazon.ca/dp/B01LWU3RC1/> (Year: 2016).\*

\* cited by examiner

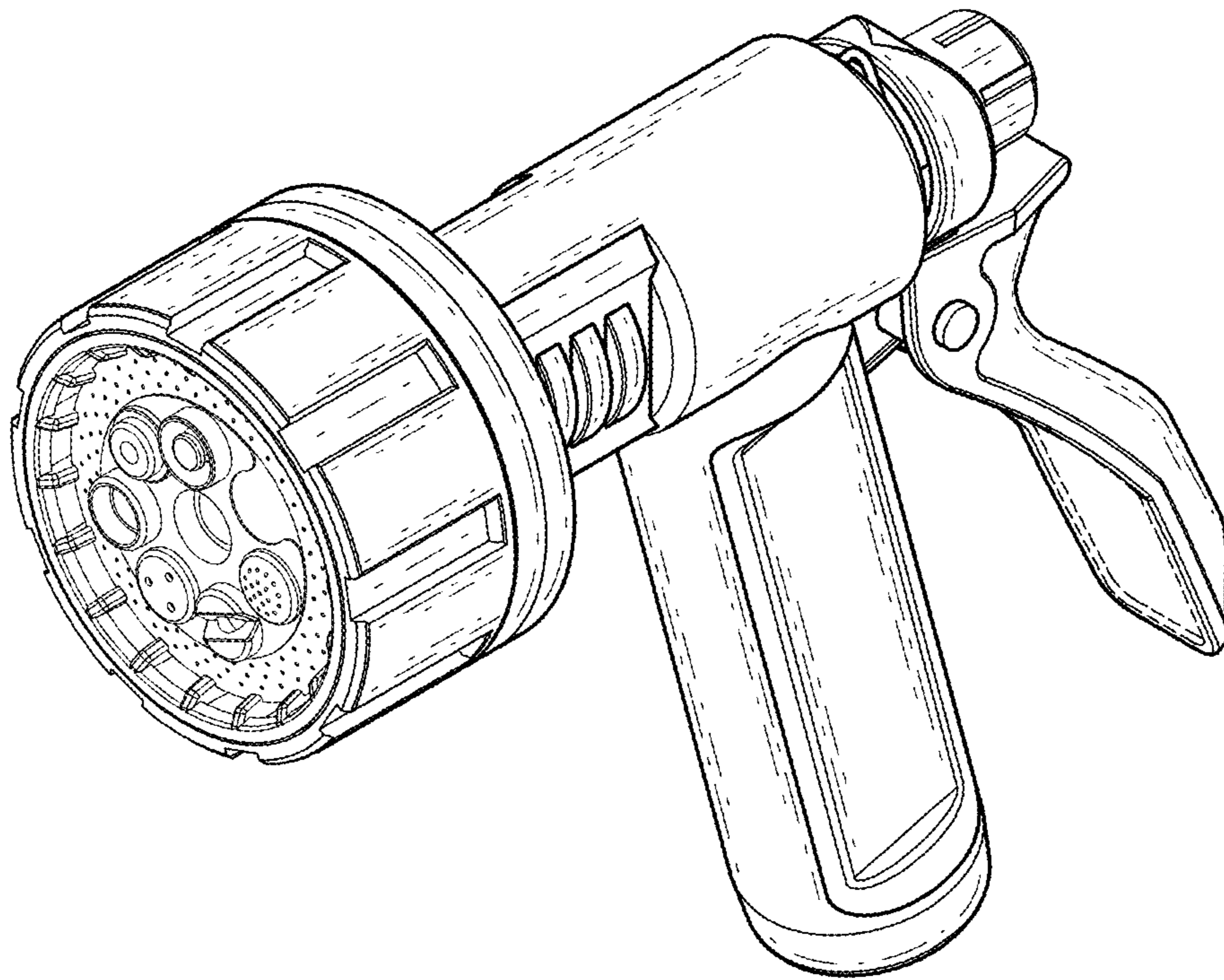


FIG. 1

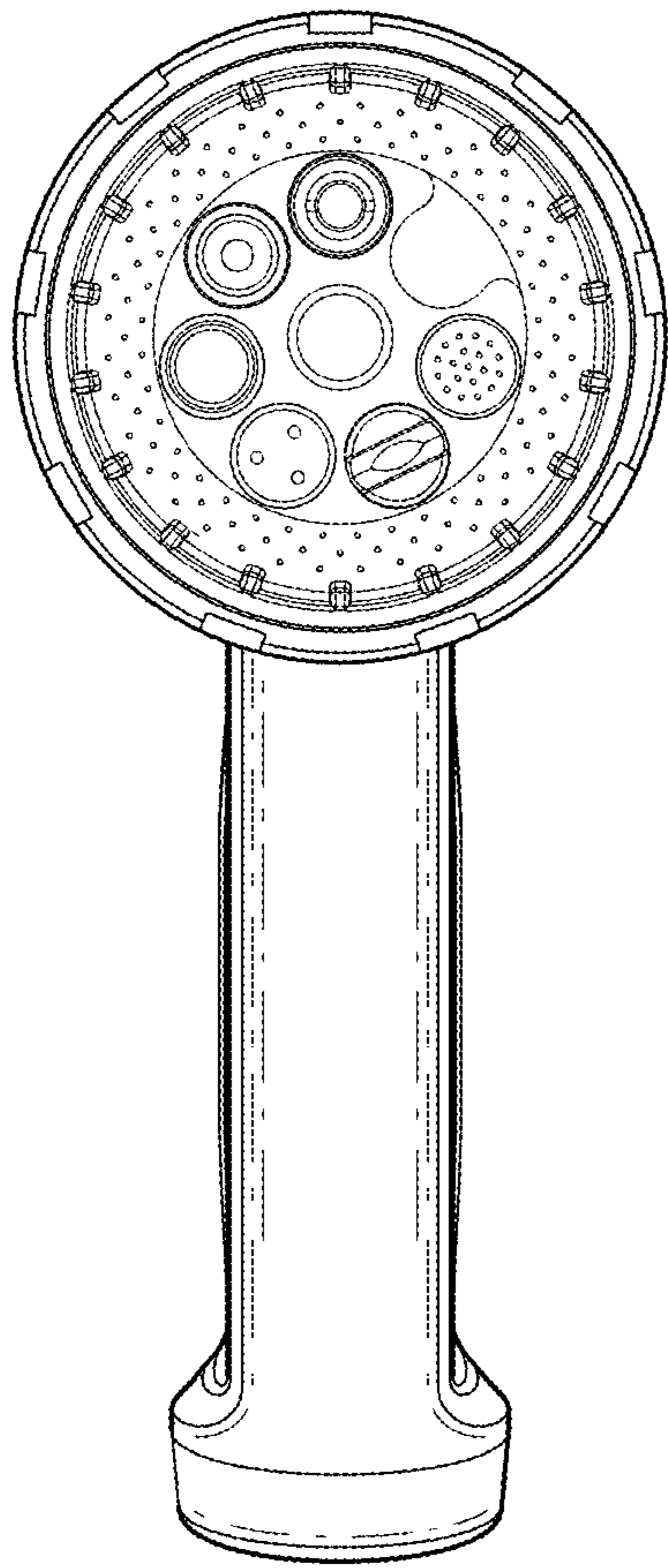


FIG. 2

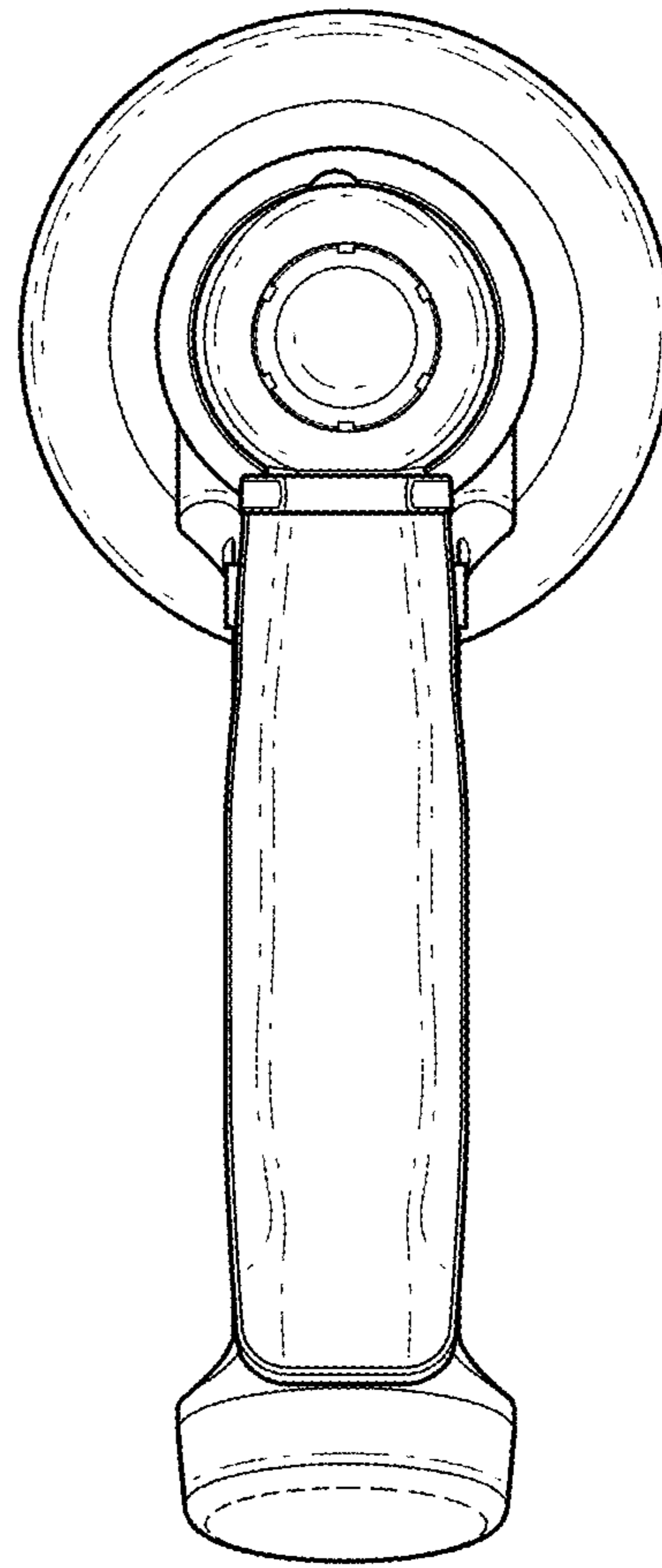


FIG. 3

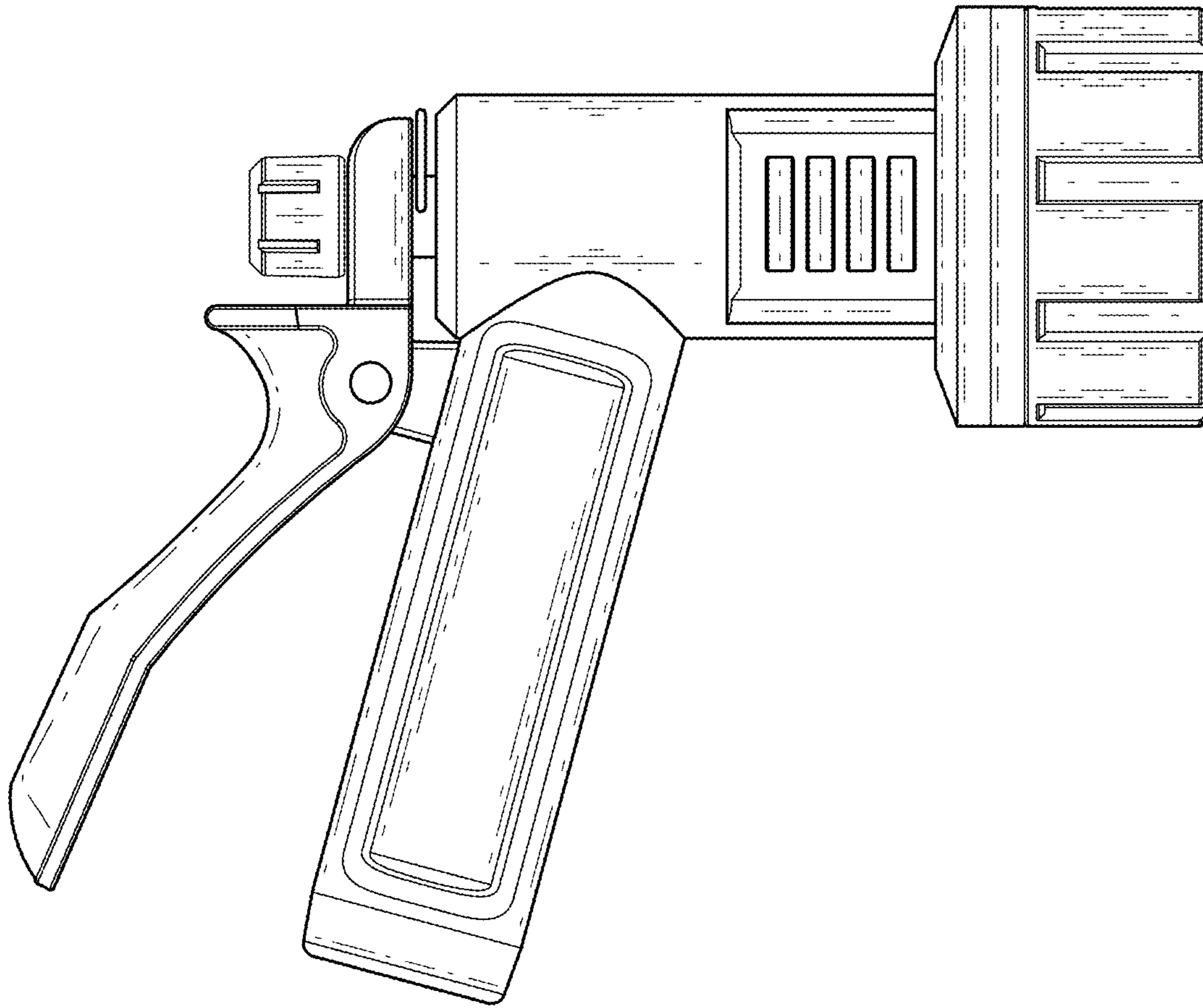


FIG.4

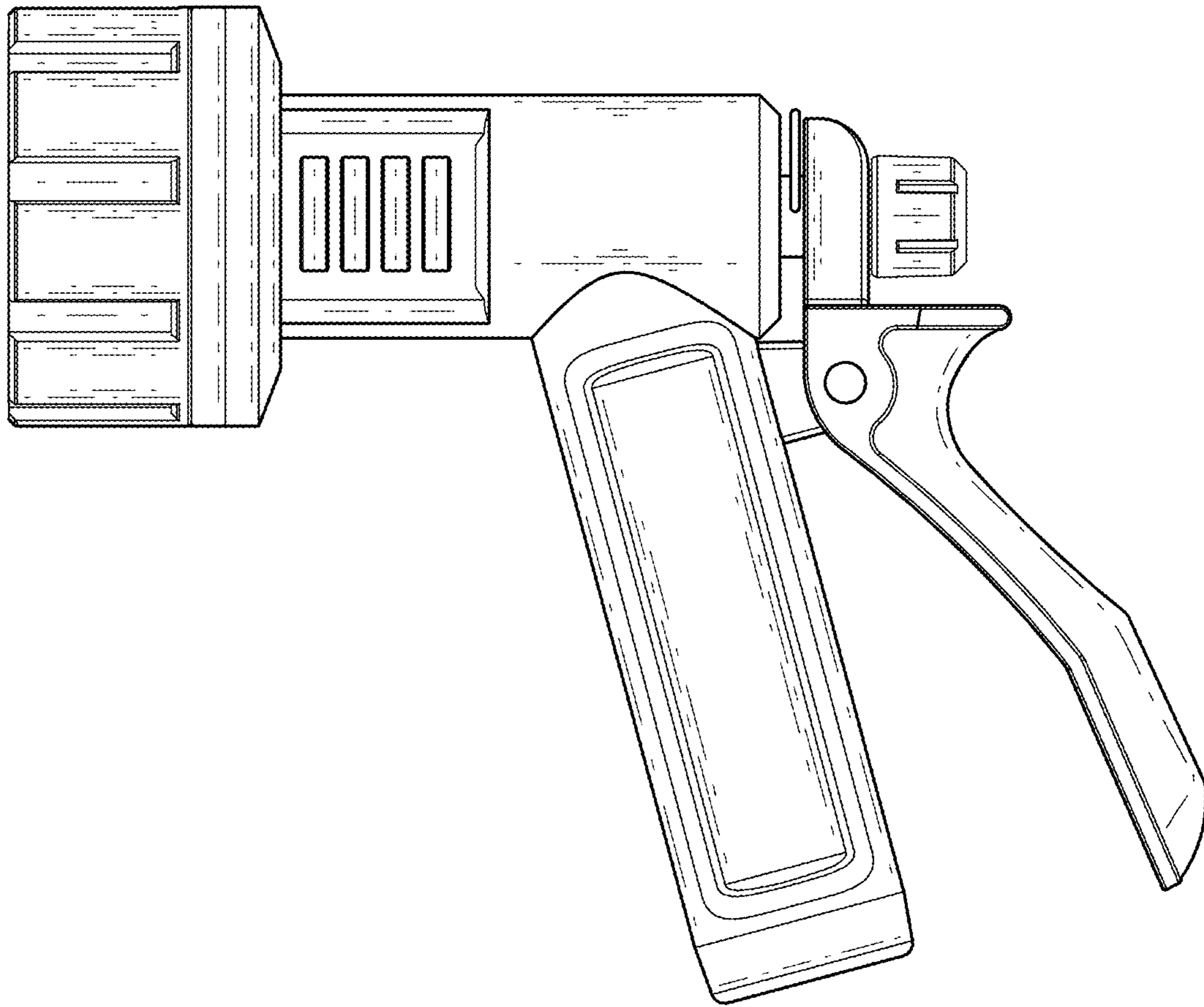


FIG.5

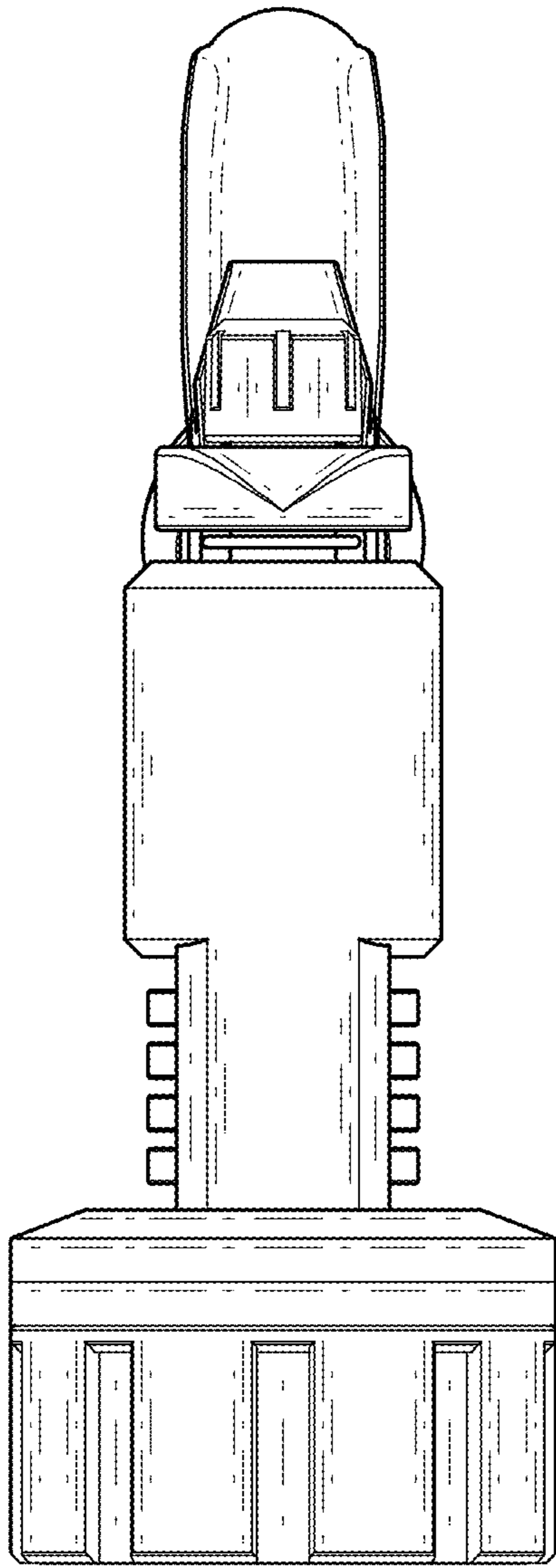


FIG. 6

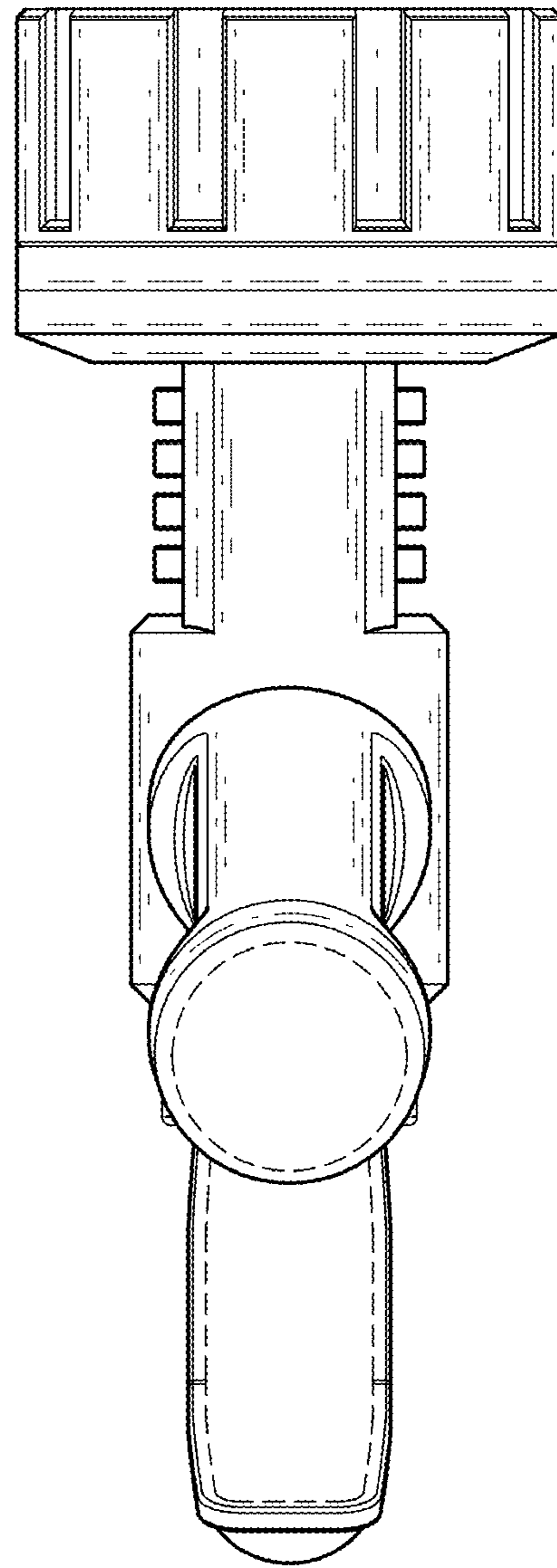


FIG. 7

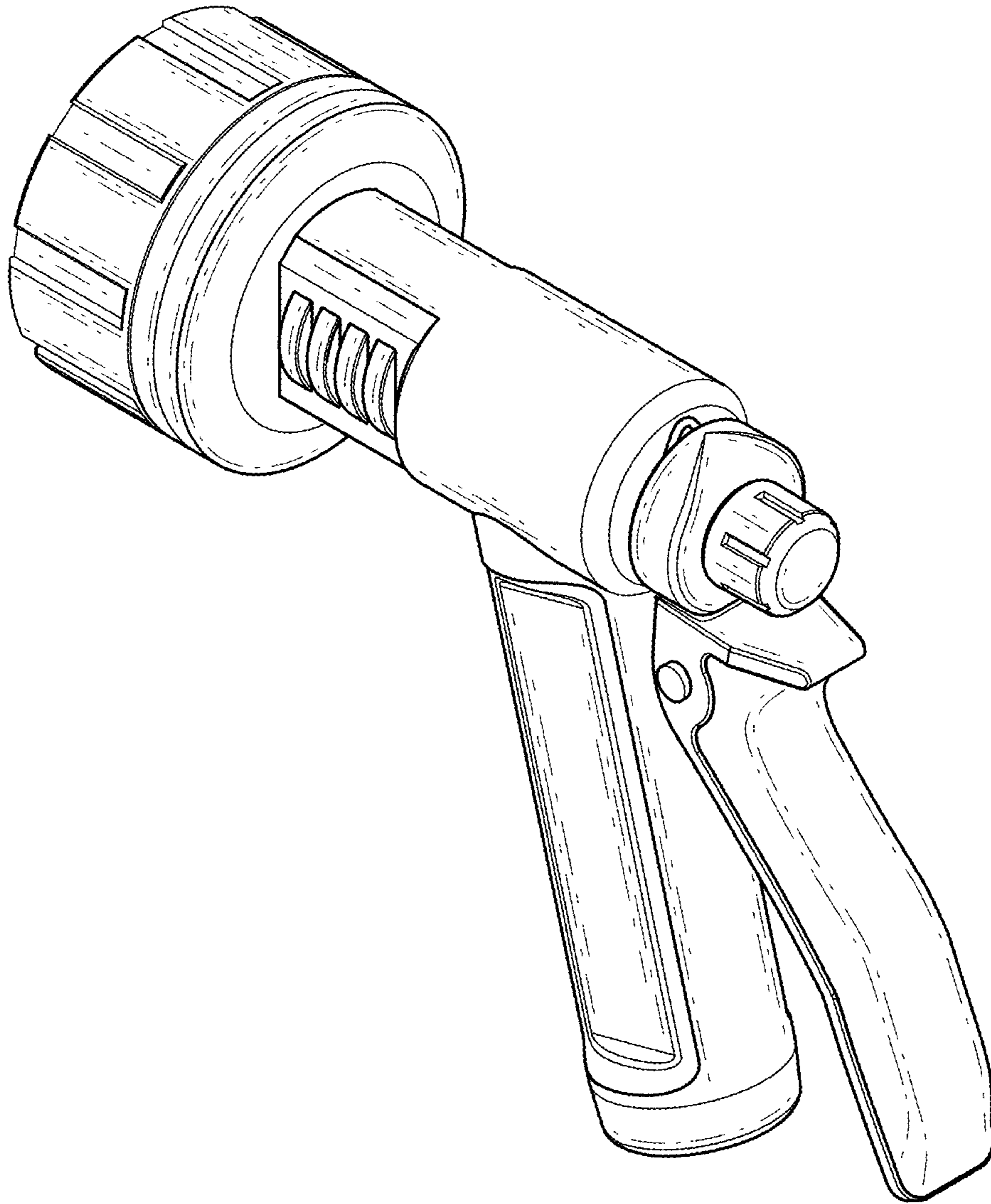


FIG.8