



US00D919749S

(12) **United States Design Patent** (10) **Patent No.:** **US D919,749 S**  
**Chen** (45) **Date of Patent:** **\*\* May 18, 2021**

- (54) **HANDHELD SPRAY GUN**
- (71) Applicant: **SHIN TAI SPURT WATER OF THE GARDEN TOOLS CO., LTD.,**  
Lu-Kang Town (TW)
- (72) Inventor: **Chin-Yuan Chen,** Lu-Kang Town (TW)
- (73) Assignee: **SHIN TAI SPURT WATER OF THE GARDEN TOOLS CO., LTD.,**  
Chang-Hua Hsien (TW)
- (\*\*) Term: **15 Years**
- (21) Appl. No.: **29/700,399**
- (22) Filed: **Aug. 1, 2019**
- (51) **LOC (13) Cl.** ..... **23-01**
- (52) **U.S. Cl.**  
USPC ..... **D23/226**
- (58) **Field of Classification Search**  
USPC ..... D8/2; D23/213, 223, 224, 226, 229, 230  
CPC ..... B05B 1/16; B05B 9/01; B05B 12/002;  
B05B 12/0022; B05B 12/0024; B05B  
12/0026; B05B 15/63; B25G 1/10; A01M  
7/0046  
See application file for complete search history.

(56) **References Cited**  
U.S. PATENT DOCUMENTS

D431,069	S *	9/2000	Heren	.....	D23/226
D437,029	S *	1/2001	Chao	.....	D23/226
6,427,931	B1 *	8/2002	Guo	.....	B05B 1/30 239/526
D557,769	S *	12/2007	Chih	.....	D23/226
D599,884	S *	9/2009	Zore	.....	D23/226
D648,824	S *	11/2011	Hung	.....	D23/226
D779,041	S *	2/2017	Chen	.....	D23/226
D824,488	S *	7/2018	Montoya	.....	D23/223
D846,074	S *	4/2019	Pease	.....	D23/226

2013/0015271	A1 *	1/2013	Chen	.....	B05B 1/3013 239/526
2013/0193236	A1 *	8/2013	Ye	.....	B05B 9/01 239/526
2015/0028134	A1 *	1/2015	Hung	.....	B05B 1/3046 239/526

OTHER PUBLICATIONS

“Orbit SunMate 3 Piece Nozzle Set”, Nov. 2, 2012, Amazon, Site visited Nov. 30, 2020: <https://www.amazon.ca/dp/B004RUBFN0/> (Year: 2012).\*

“Melnor XT200” May 13, 2018, Amazon, site visited Dec. 9, 2020: <https://www.amazon.ca/dp/B01N7R6JBW/> (Year: 2018).\*

\* cited by examiner

*Primary Examiner* — Jack Reickel  
*Assistant Examiner* — Bobby W Jones, II

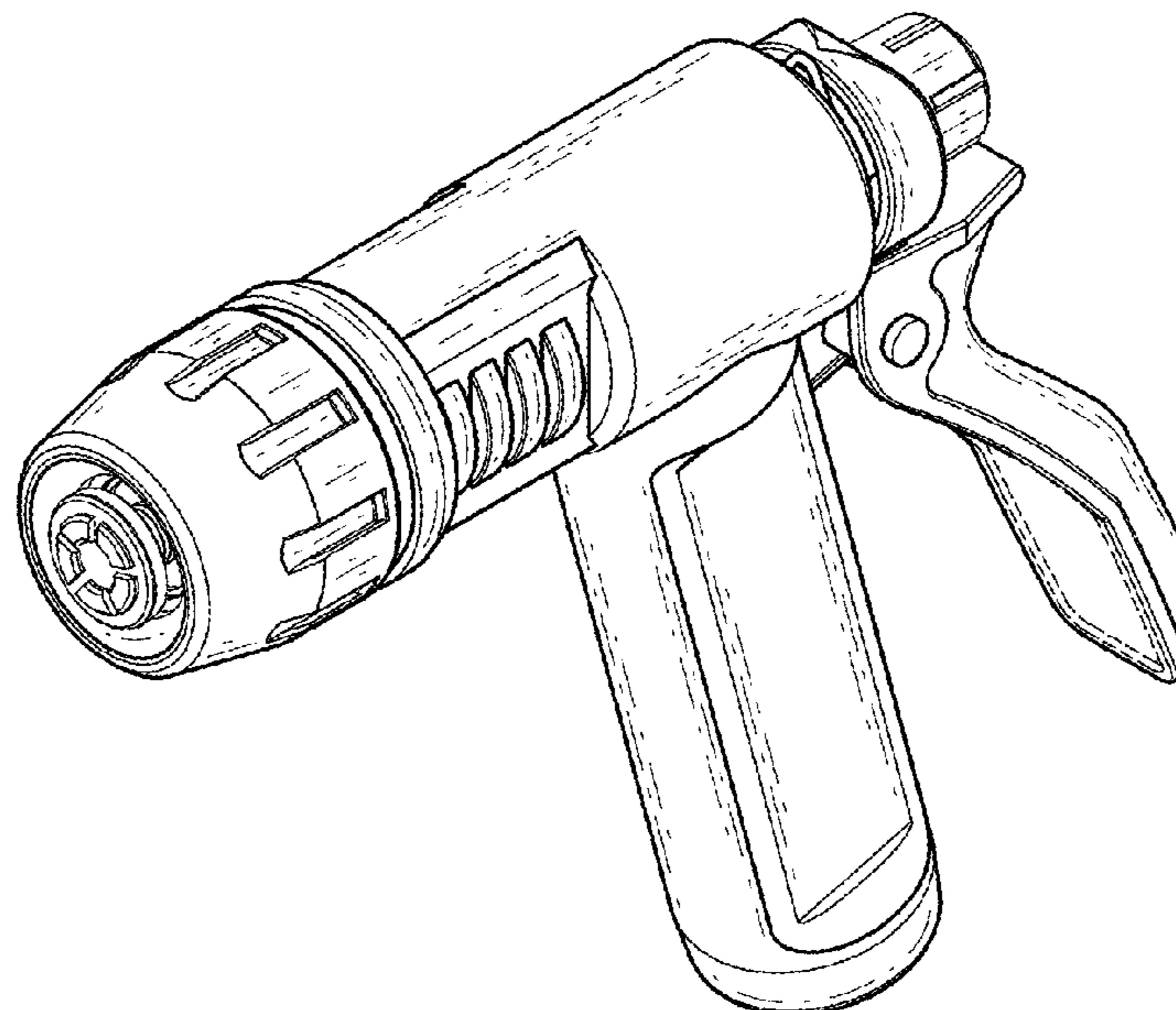
(57) **CLAIM**

The ornamental design for a handheld spray gun, as shown and described.

**DESCRIPTION**

FIG. 1 is a perspective view of a handheld spray gun showing my new design;  
 FIG. 2 is a front elevational view thereof;  
 FIG. 3 is a rear elevational view thereof;  
 FIG. 4 is a left side elevational view thereof;  
 FIG. 5 is a right side elevational view thereof;  
 FIG. 6 is a top plan view thereof;  
 FIG. 7 is a bottom plan view thereof; and,  
 FIG. 8 is another perspective schematic view of a handheld spray gun showing my design.  
 The broken line showing of a handheld spray gun is included for the purpose of illustrating portions of the article and forms no part of the claimed design.

**1 Claim, 6 Drawing Sheets**



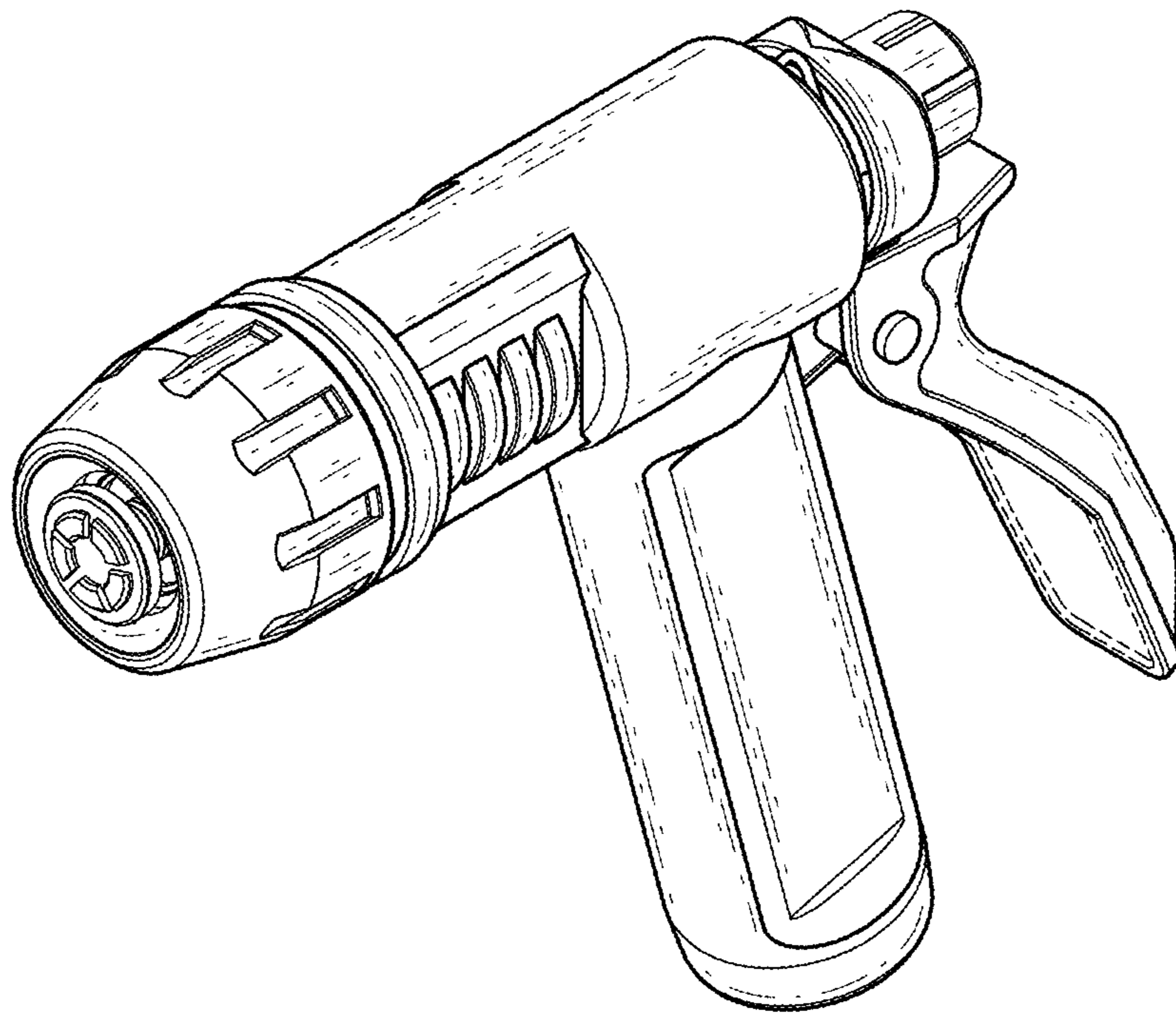


FIG.1

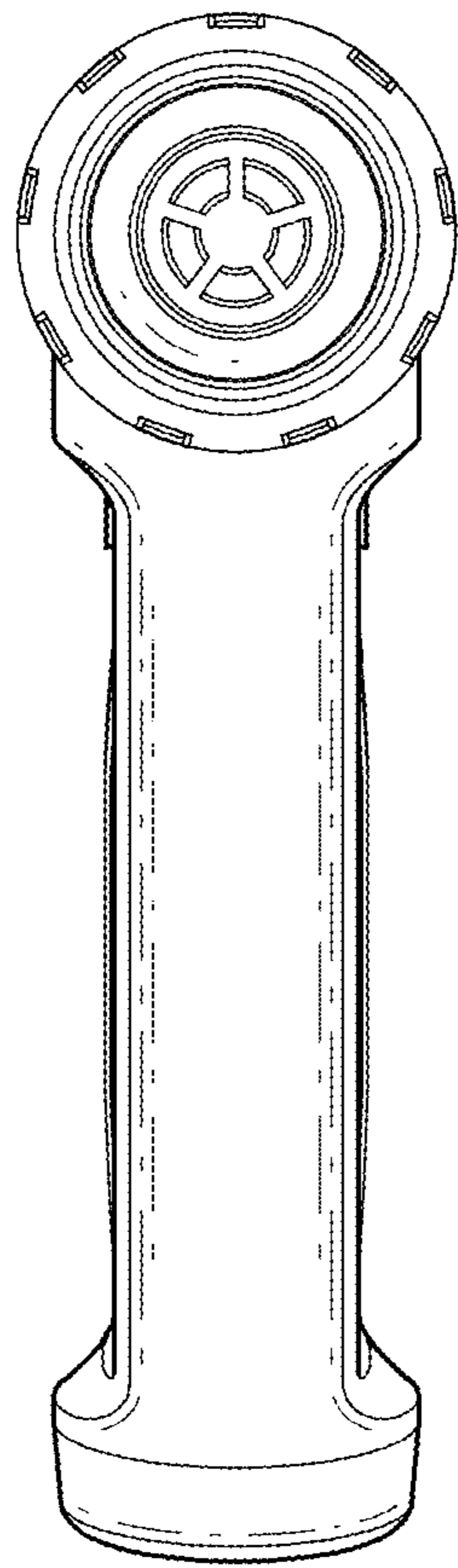


FIG.2

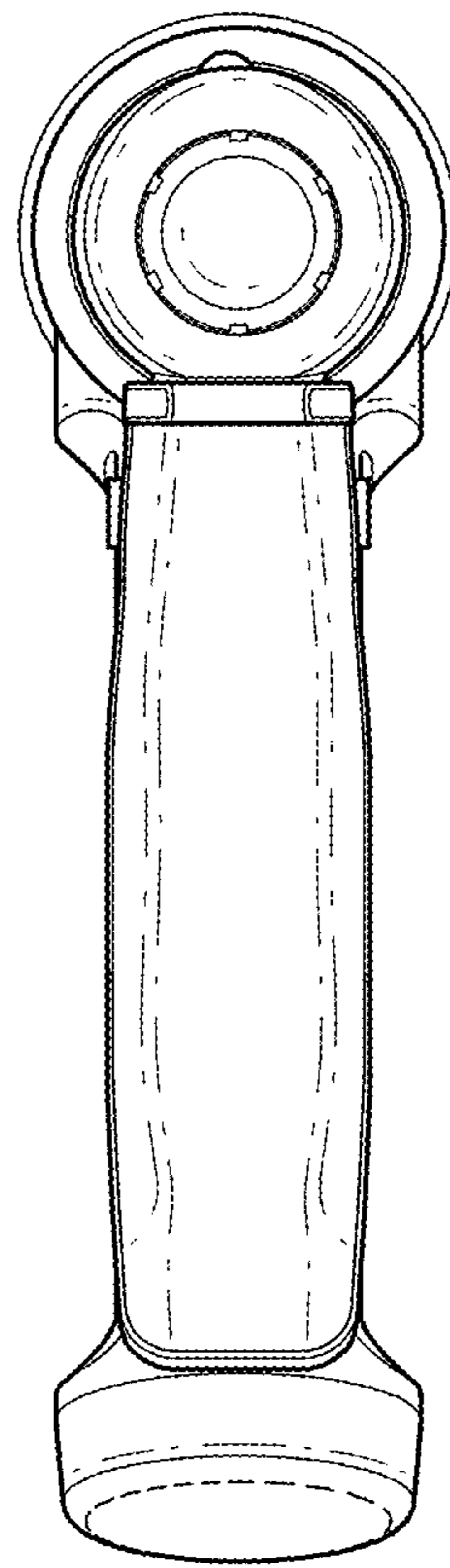


FIG.3

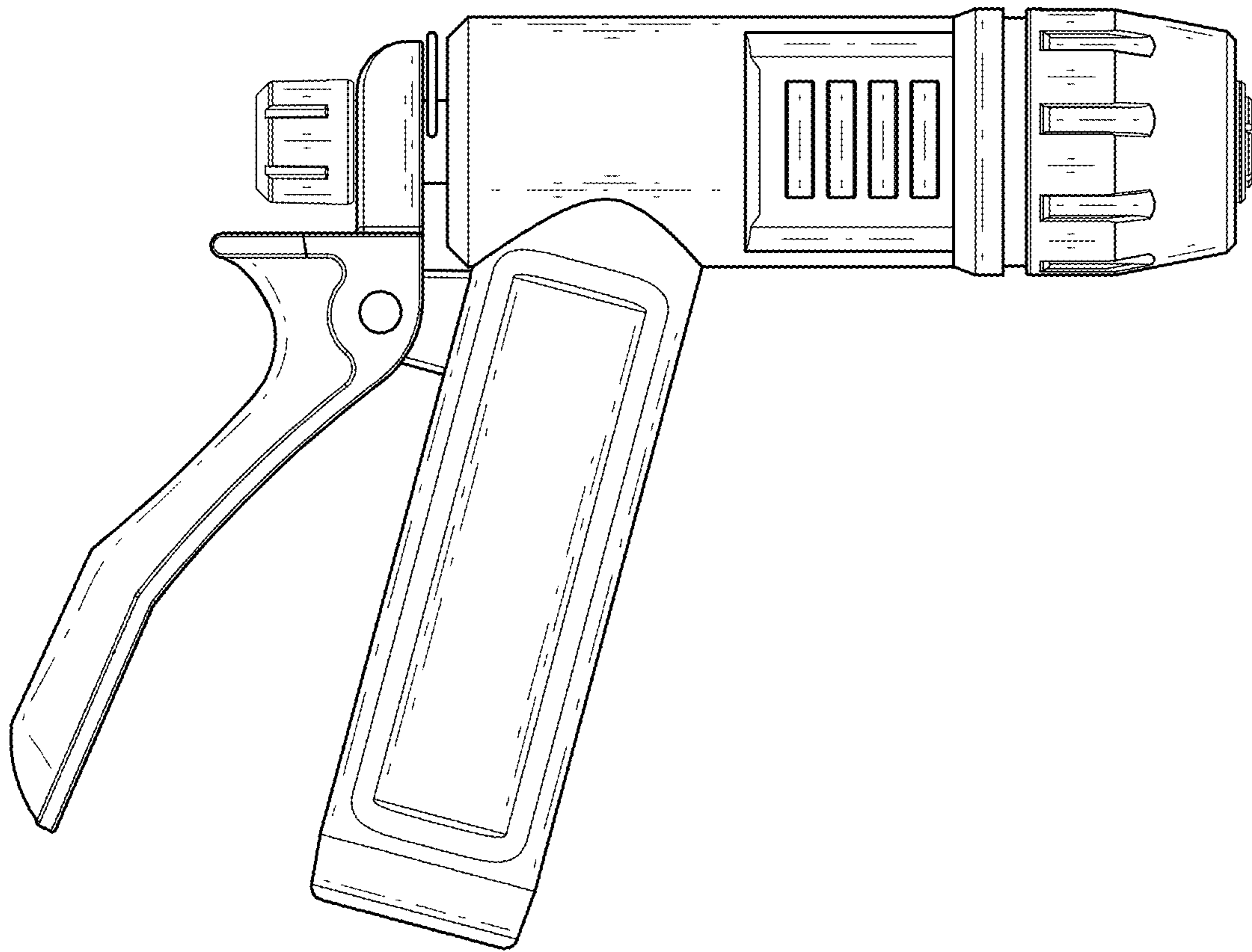


FIG.4

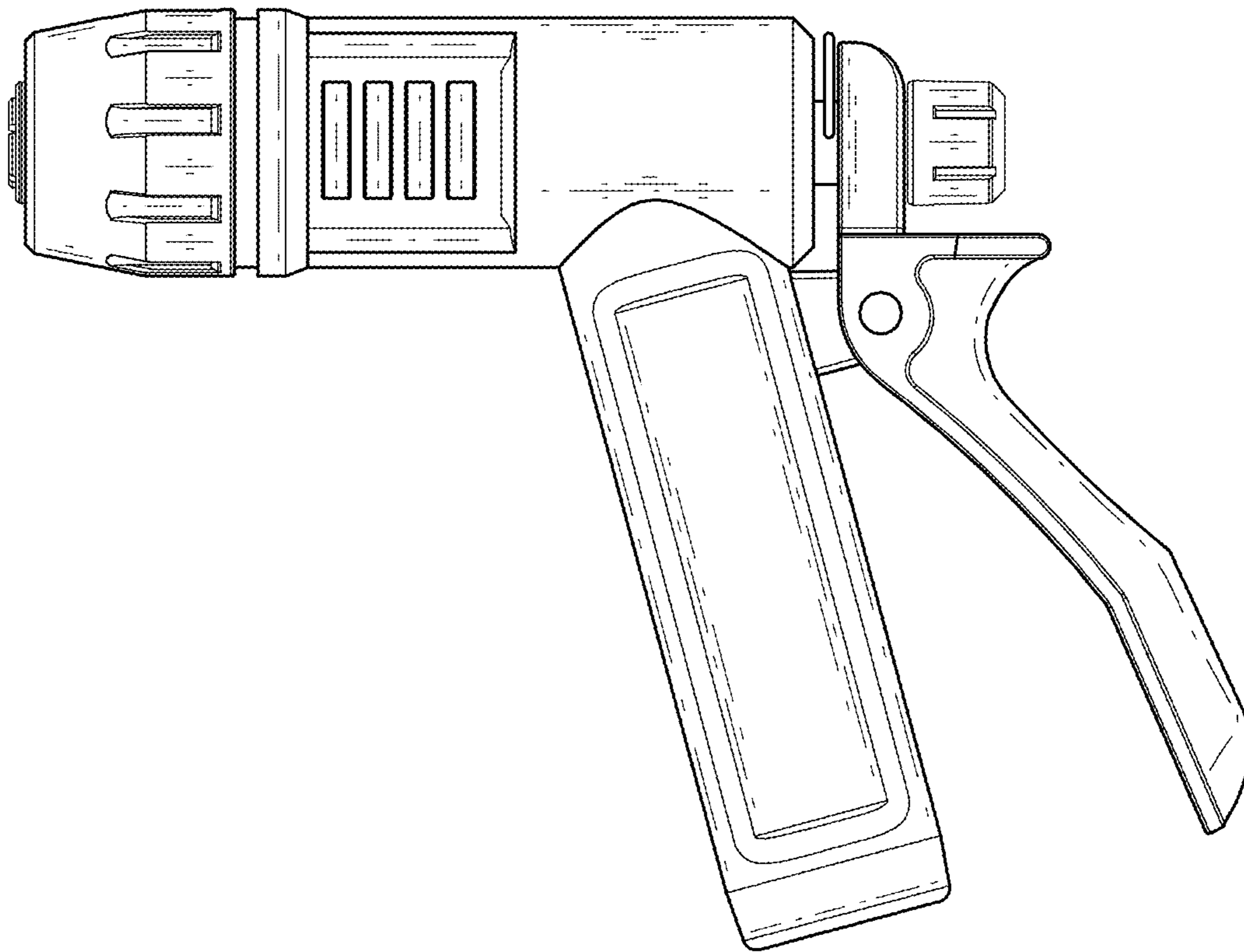


FIG.5

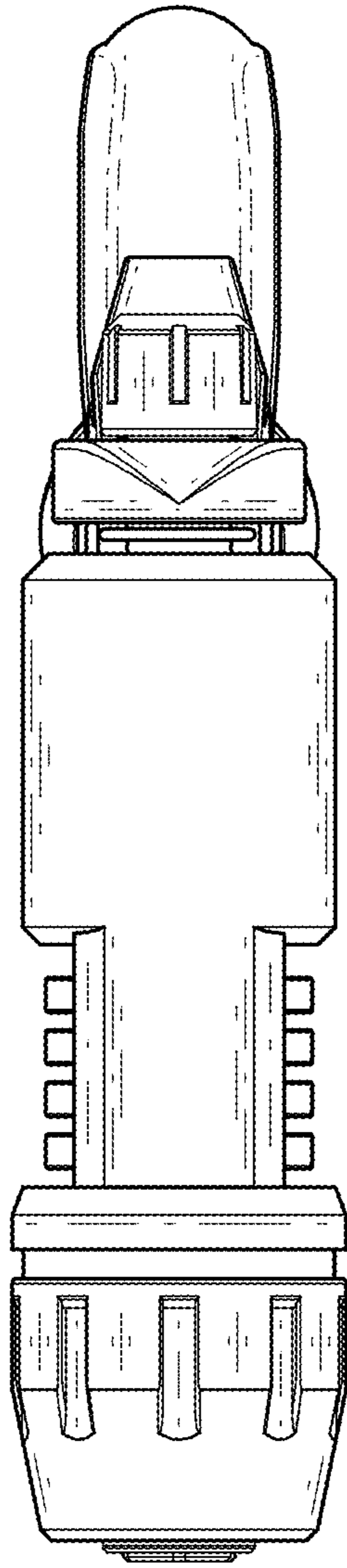


FIG. 6

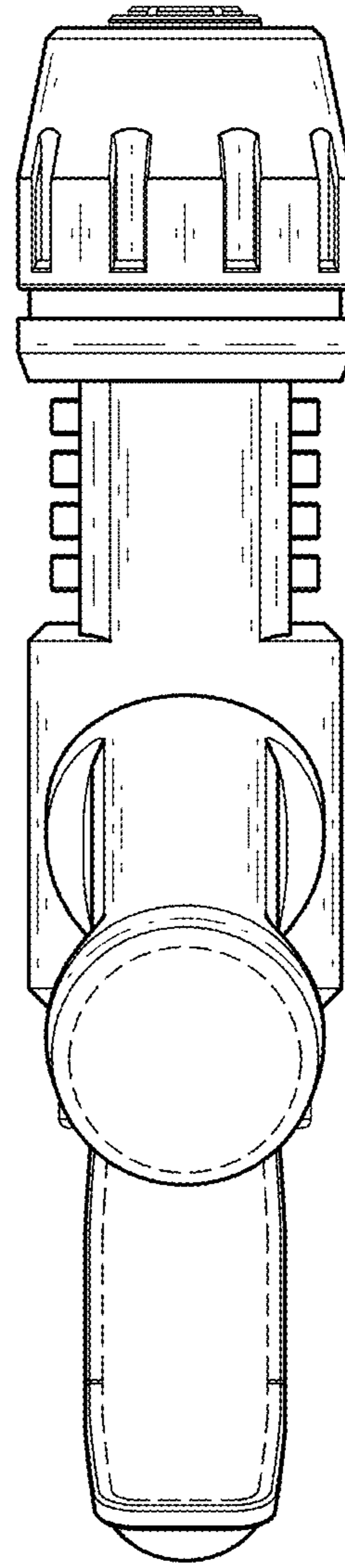


FIG. 7

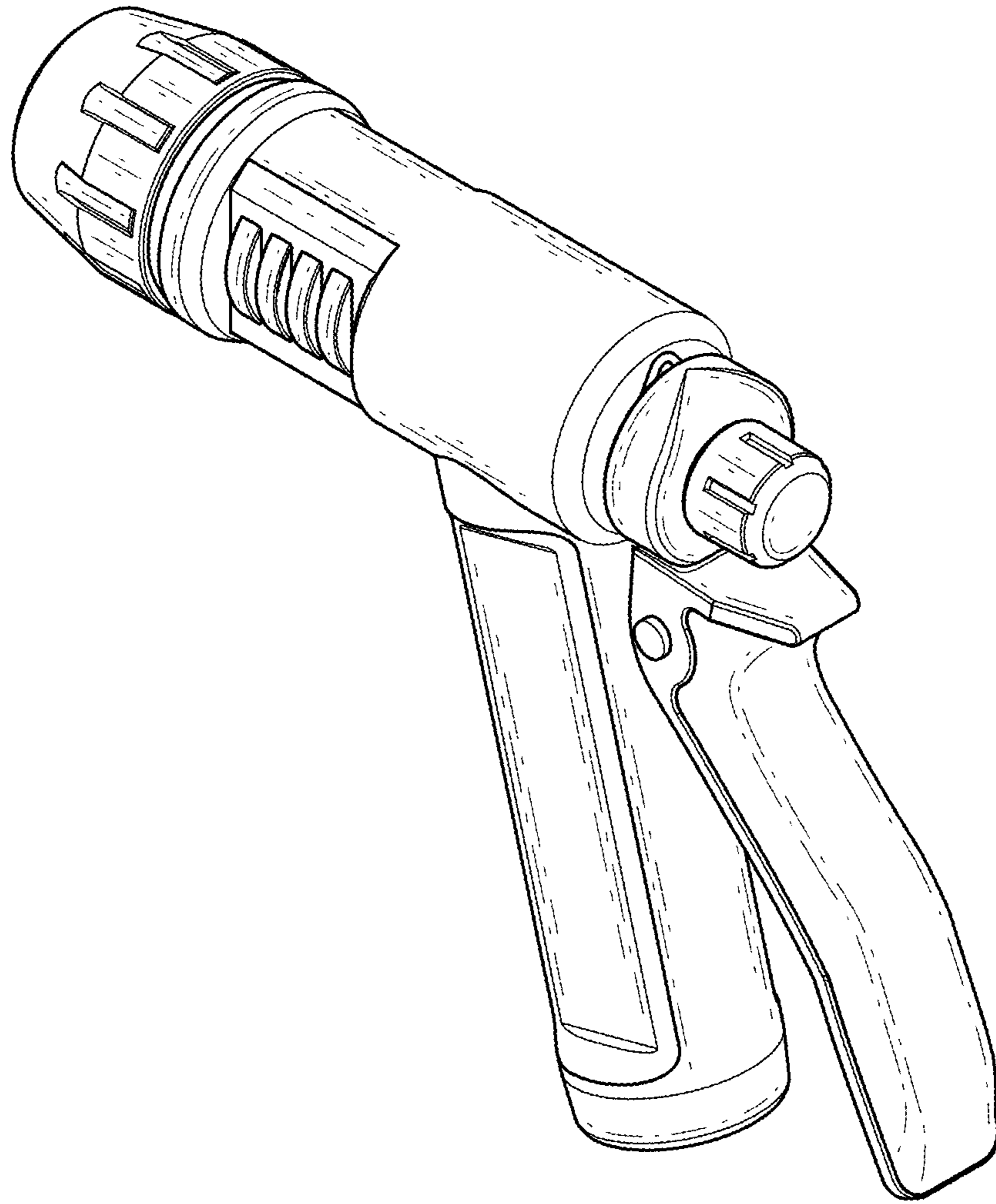


FIG.8