



US00D919748S

(12) **United States Design Patent** (10) **Patent No.:** **US D919,748 S**
Chen (45) **Date of Patent:** **** May 18, 2021**

(54) **SPRAY GUN**
(71) Applicant: **SHIN TAI SPURT WATER OF THE GARDEN TOOLS CO., LTD.,**
Chang-Hua Hsien (TW)
(72) Inventor: **Chin-Yuan Chen, Chang-Hua Hsien**
(TW)
(73) Assignee: **SHIN TAI SPURT WATER OF THE GARDEN TOOLS CO., LTD.,**
Chang-Hua Hsien (TW)

D411,607 S * 6/1999 Wang D23/226
6,427,931 B1 * 8/2002 Guo B05B 1/30
239/526
6,644,625 B1 * 11/2003 Jacobs B05B 12/0024
251/209
7,000,855 B1 * 2/2006 Chen B05B 1/30
239/526
D557,769 S * 12/2007 Chih D23/226
D599,884 S * 9/2009 Zore D23/226

(Continued)

(**) Term: **15 Years**

(21) Appl. No.: **29/697,728**

(22) Filed: **Jul. 10, 2019**

(51) **LOC (13) Cl.** **23-01**

(52) **U.S. Cl.**
USPC **D23/226**

(58) **Field of Classification Search**
USPC D8/2; D23/213, 223, 224, 226, 229, 230
CPC B05B 1/16; B05B 9/01; B05B 12/002;
B05B 12/0022; B05B 12/0024; B05B
12/0026; B05B 15/63; B25G 1/10; A01M
7/0046

See application file for complete search history.

(56) **References Cited**

U.S. PATENT DOCUMENTS

3,799,447 A * 3/1974 Beal B05B 9/01
239/288.5
4,776,517 A * 10/1988 Heren B05B 12/0024
239/391
D315,782 S * 3/1991 Clivio D23/226
D328,780 S * 8/1992 Aquilina D23/226
D338,706 S * 8/1993 Wang D23/223
5,287,887 A * 2/1994 Hengesbach B05B 7/1209
137/607
D355,952 S * 2/1995 Wang D23/223
5,676,313 A * 10/1997 Wang B05B 1/3033
239/288.5

OTHER PUBLICATIONS

“Orbit SunMate 3 Piece Nozzle Set”, Nov. 2, 2012, Amazon, Site visited Nov. 30, 2020: <https://www.amazon.ca/dp/B004RUBFN0/> (Year: 2012).*

(Continued)

Primary Examiner — Jack Reickel
Assistant Examiner — Bobby W Jones, II

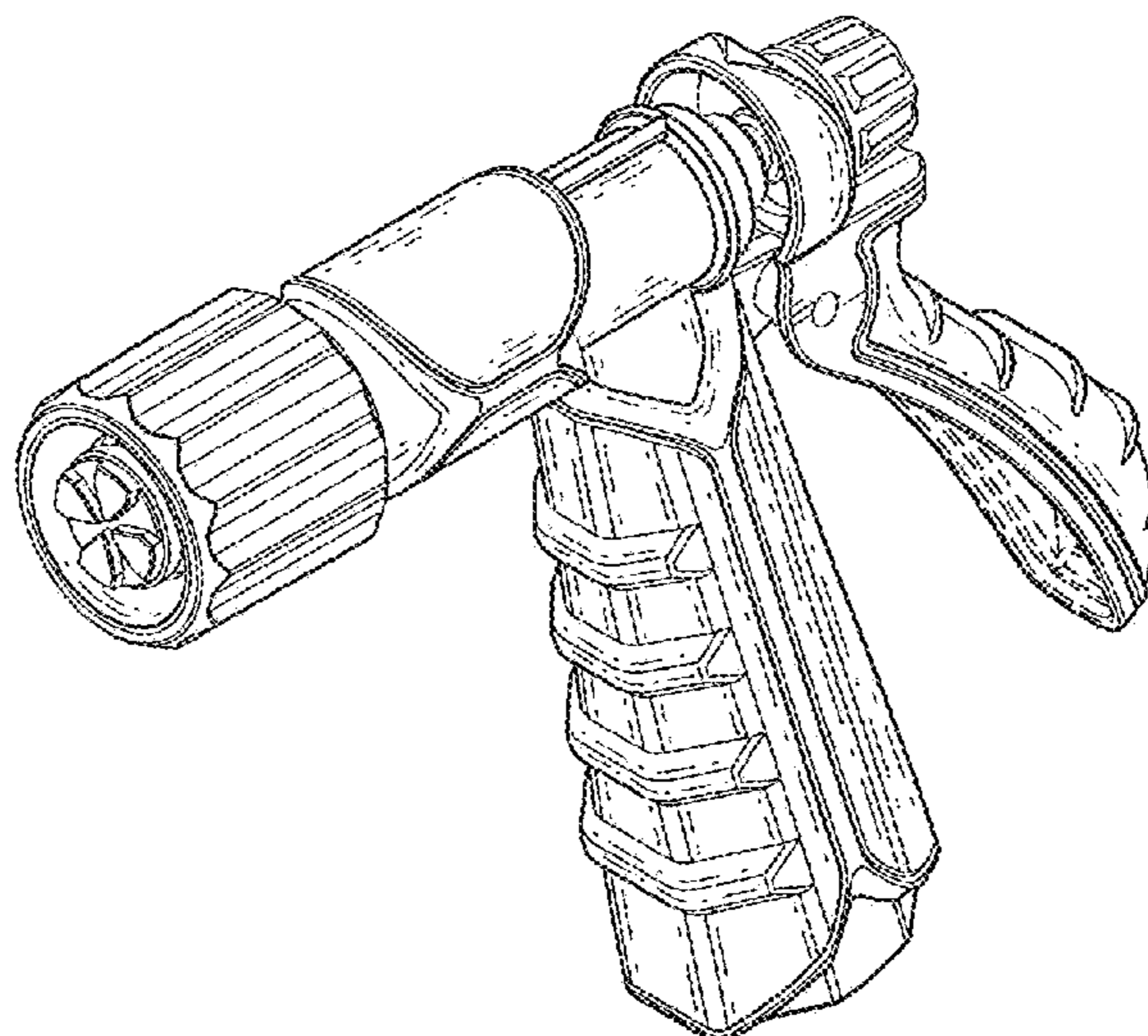
(57) **CLAIM**

The ornamental design for a spray gun, as shown and described.

DESCRIPTION

FIG. 1 is a perspective view of a spray gun showing my new design;
FIG. 2 is a front elevational view thereof;
FIG. 3 is a rear elevational view thereof;
FIG. 4 is a left side elevational view thereof;
FIG. 5 is a right side elevational view thereof;
FIG. 6 is a top plan view thereof;
FIG. 7 is a bottom plan view thereof; and,
FIG. 8 is another perspective schematic view of a spray gun showing my design.
The broken line showing of a spray gun is included for the purpose of illustrating portions of the article and forms no part of the claimed design.

1 Claim, 6 Drawing Sheets



(56)

References Cited

U.S. PATENT DOCUMENTS

D648,824 S *	11/2011	Hung	D23/226
D663,012 S *	7/2012	Chen	D23/226
D663,382 S *	7/2012	Chen	D23/226
D766,400 S *	9/2016	Chen	D23/226
D770,017 S *	10/2016	Chen	D23/226
D779,634 S *	2/2017	Chen	D23/226
D838,341 S *	1/2019	Svensen	D23/226
D846,074 S *	4/2019	Pease	D23/226
2013/0015271 A1 *	1/2013	Chen	B05B 1/3013 239/526
2013/0193236 A1 *	8/2013	Ye	B05B 9/01 239/526
2015/0028134 A1 *	1/2015	Hung	B05B 1/3046 239/526
2019/0255549 A1 *	8/2019	McCommons	B05B 9/01

OTHER PUBLICATIONS

“Viking Heavy Duty Thumb Control Spray Nozzle” Jan. 30, 2017, Amazon, site visited Dec. 9, 2020: <https://www.amazon.ca/dp/B001Q8IXTA/> (Year: 2017).*

* cited by examiner

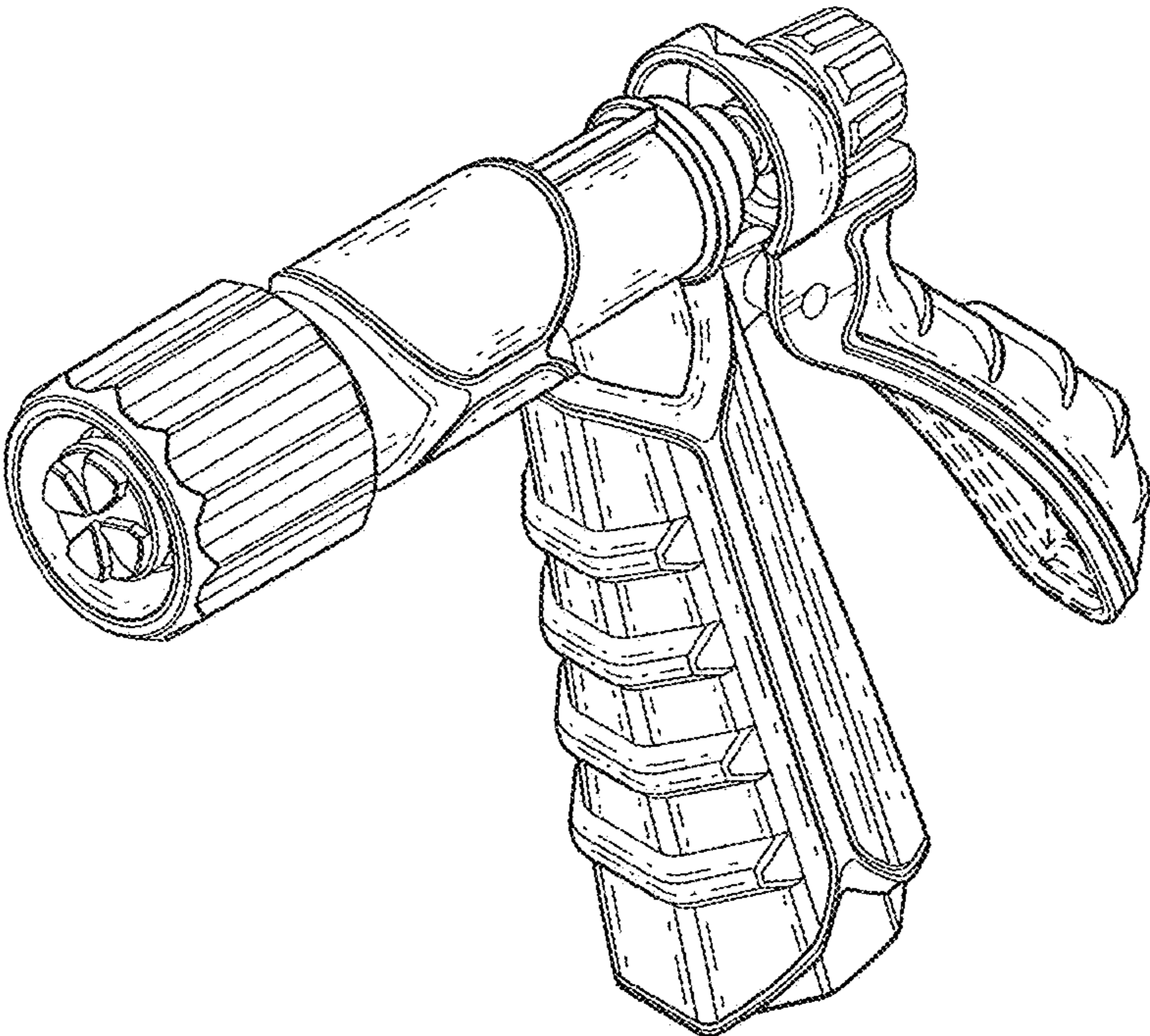


FIG.1

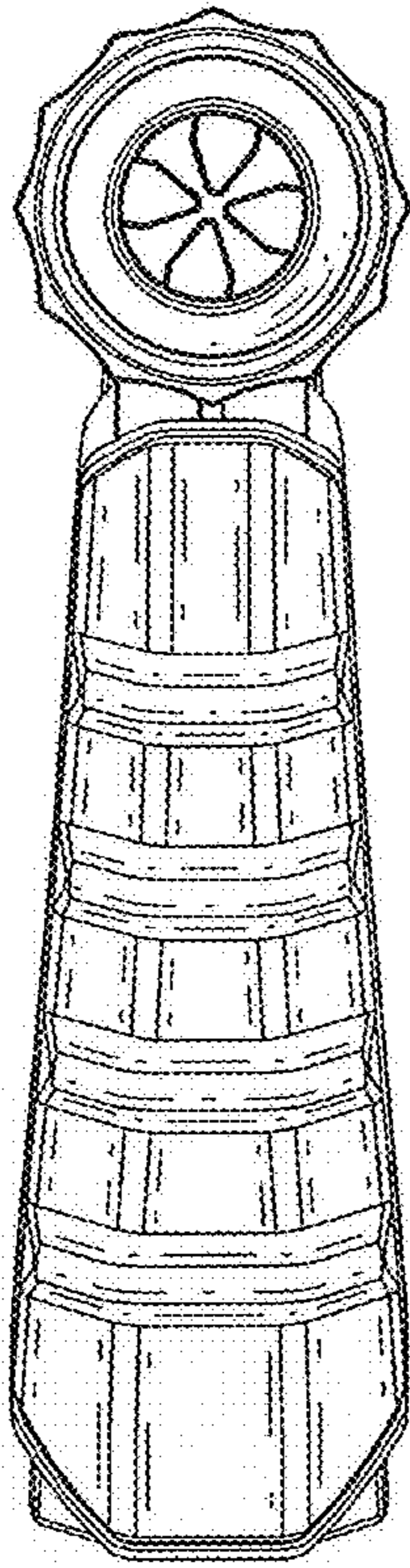


FIG. 2

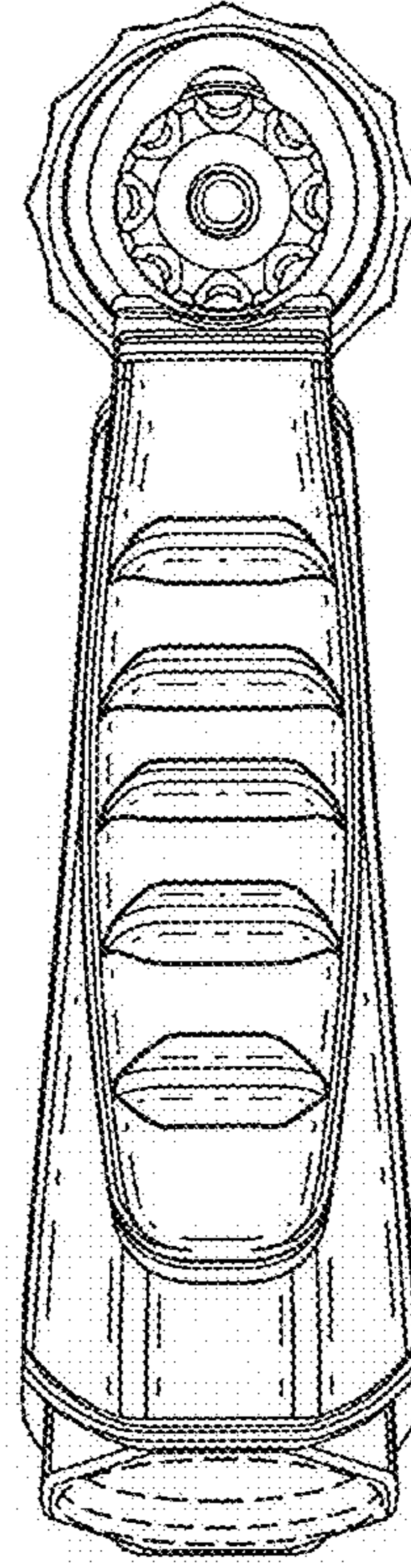


FIG. 3

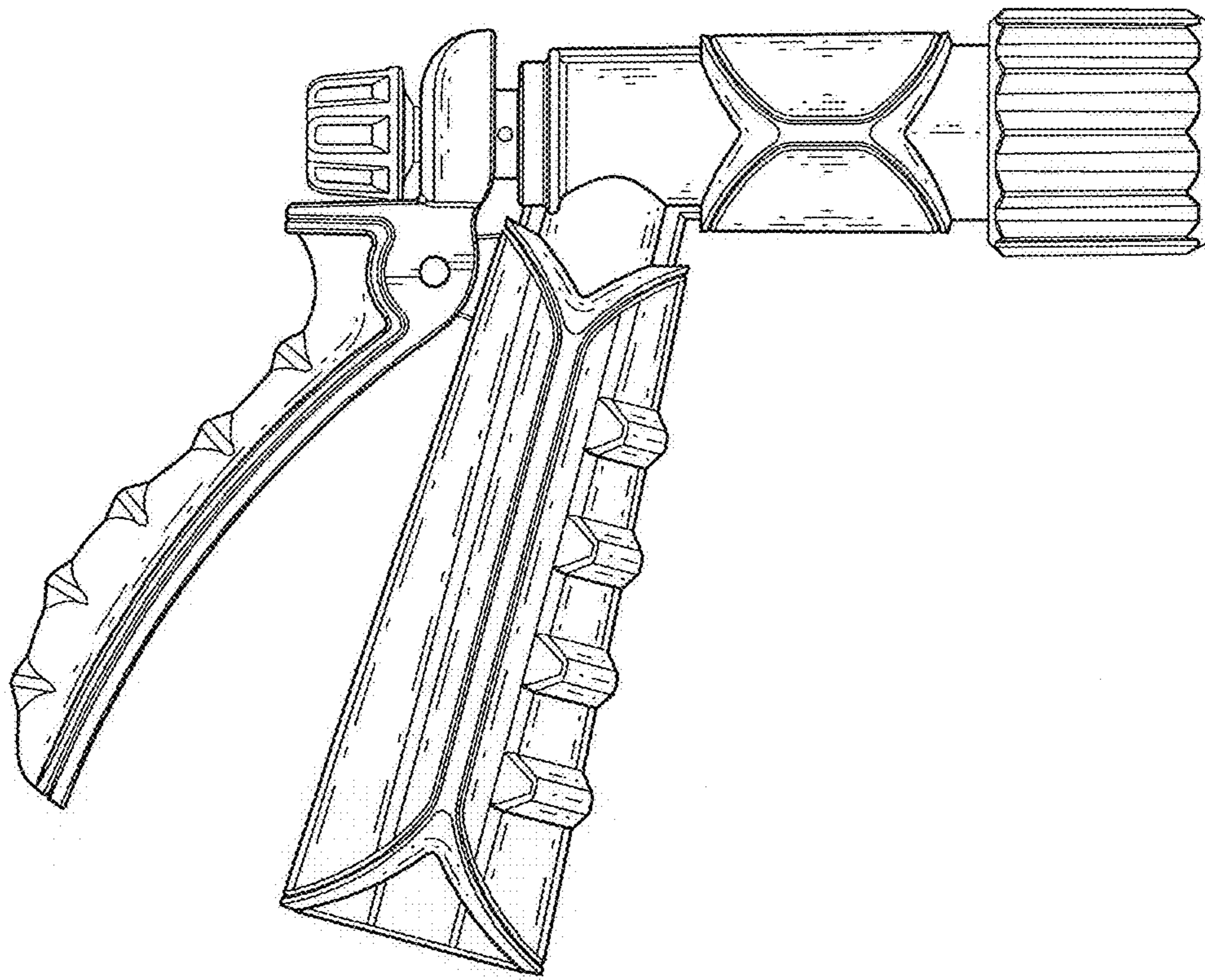


FIG.4

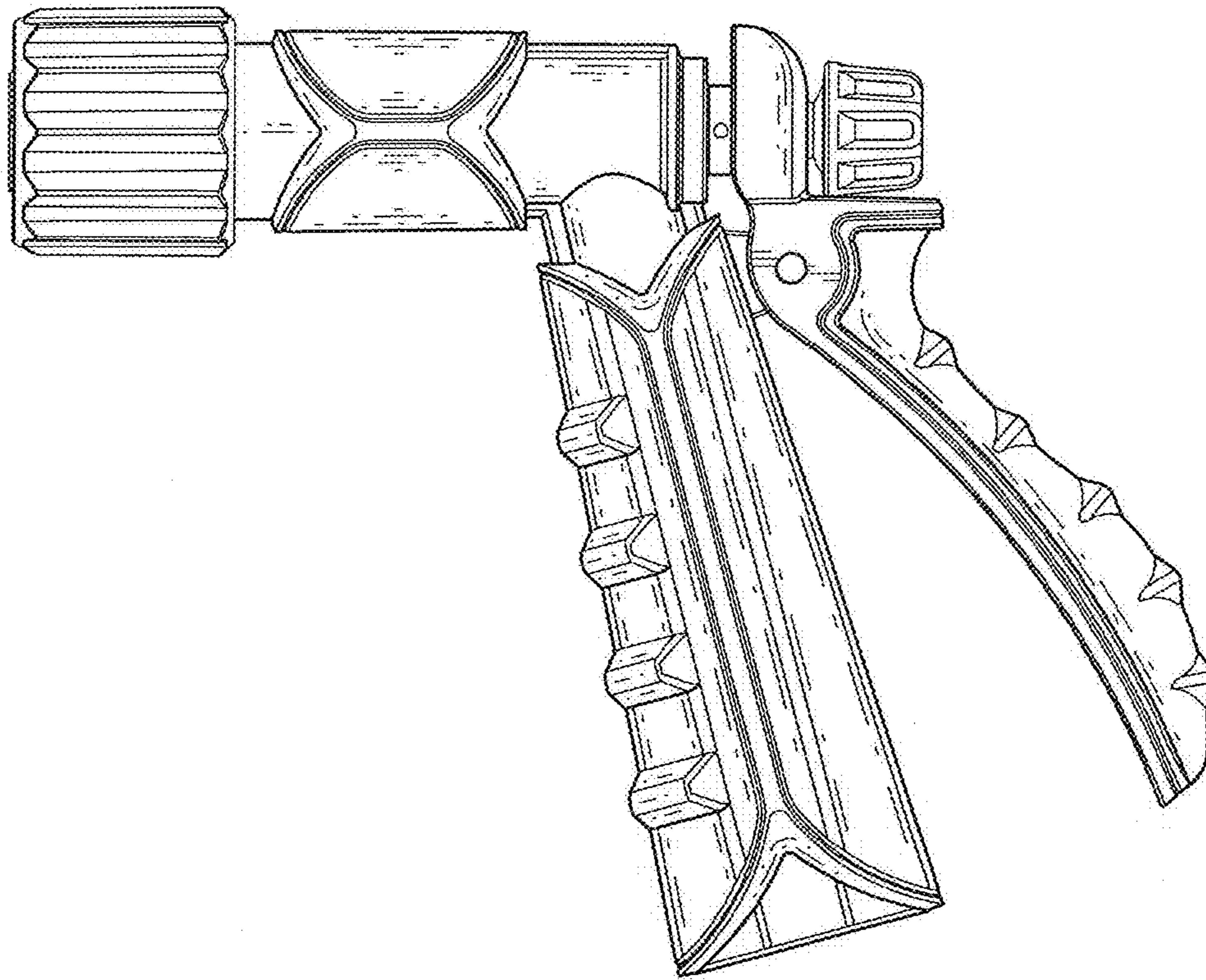


FIG.5

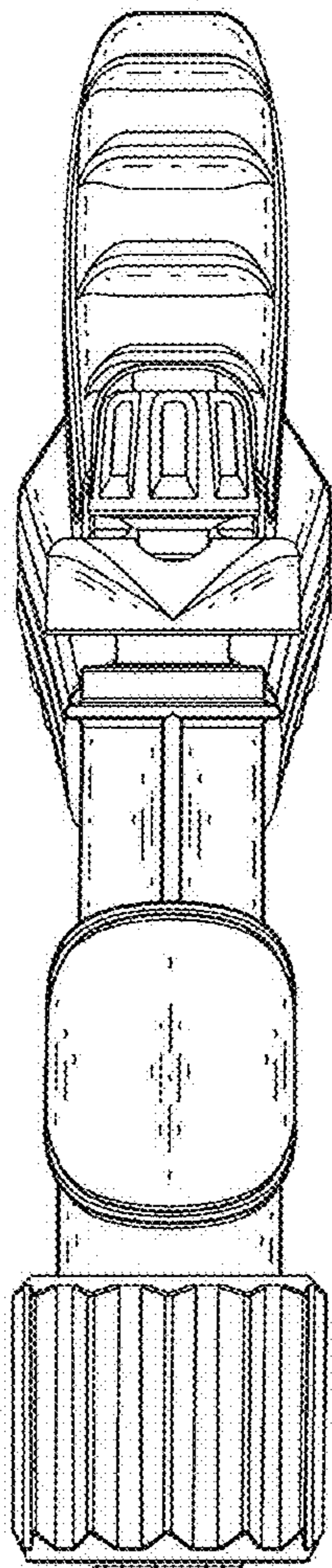


FIG. 6

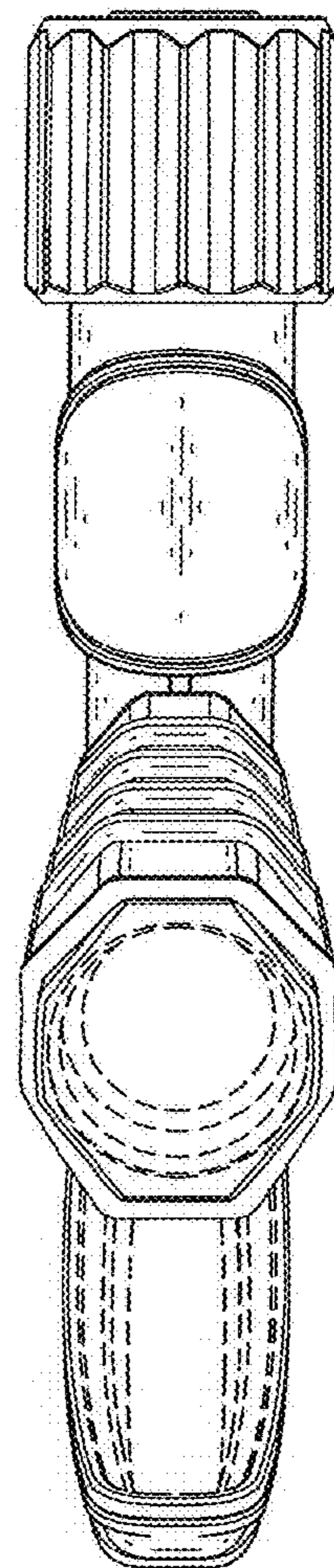


FIG. 7

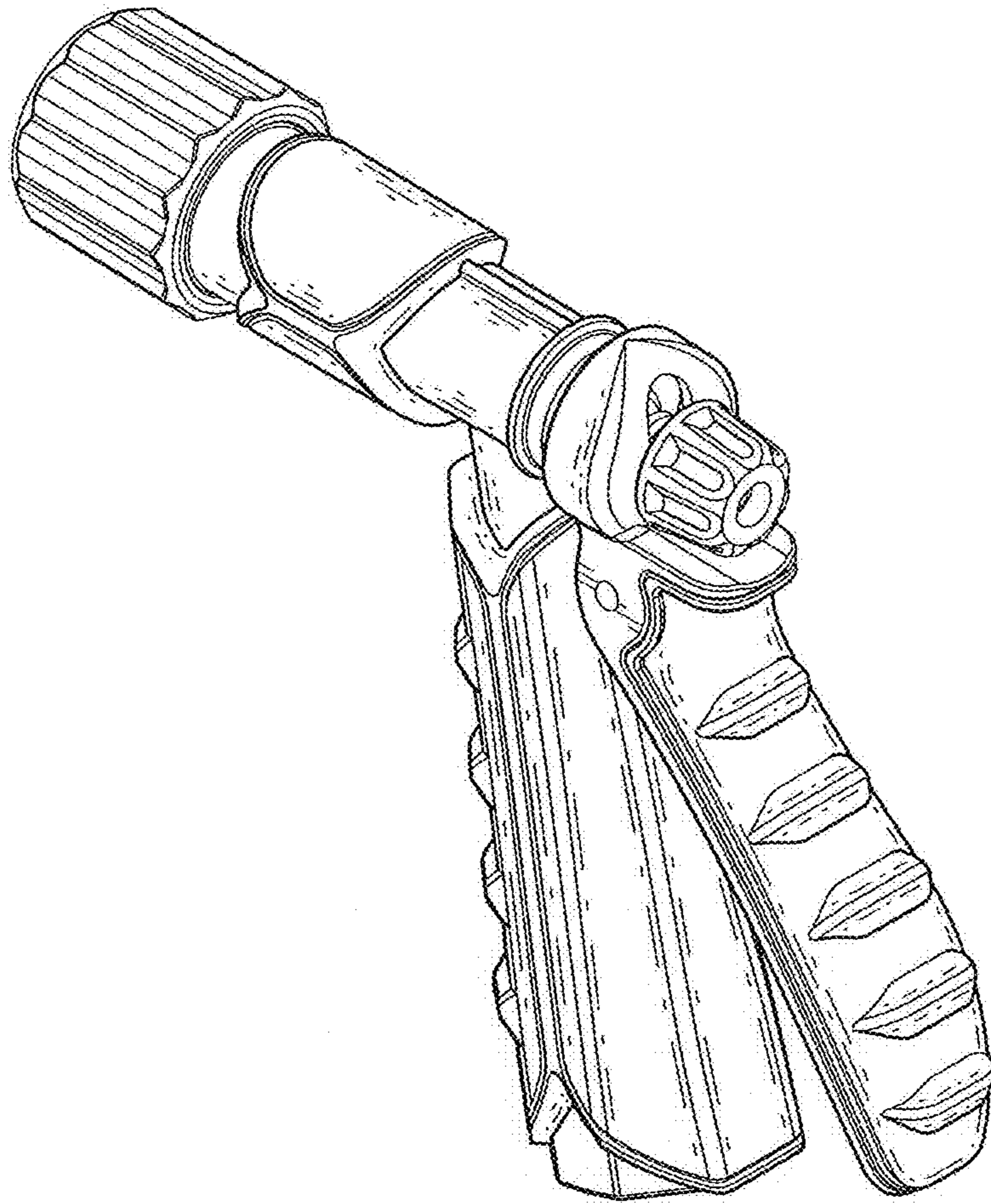


FIG.8