



US00D919745S

(12) **United States Design Patent** (10) **Patent No.:** **US D919,745 S**
Furuya (45) **Date of Patent:** **** May 18, 2021**

(54) **FISHING REEL PORTION**
(71) Applicant: **Shimano Inc.**, Osaka (JP)
(72) Inventor: **Nobuo Furuya**, Osaka (JP)
(73) Assignee: **Shimano Inc.**, Osaka (JP)
(**) Term: **15 Years**
(21) Appl. No.: **29/726,042**
(22) Filed: **Feb. 28, 2020**

Primary Examiner — Catherine R Oliver-Garcia
(74) *Attorney, Agent, or Firm* — Global IP Counselors, LLP

(57) **CLAIM**

An ornamental design for a fishing reel portion, as shown and described.

DESCRIPTION

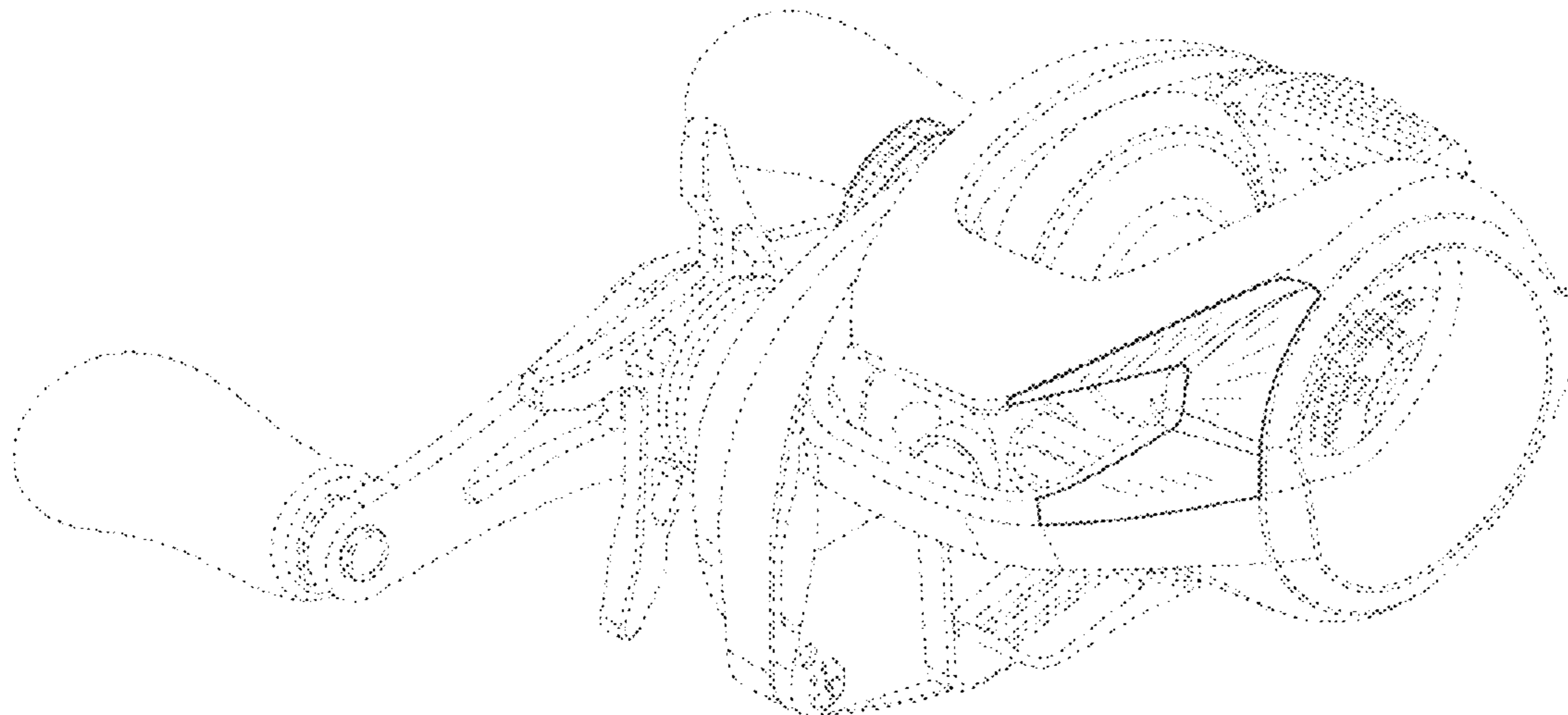
(30) **Foreign Application Priority Data**
Oct. 25, 2019 (JP) 2019-023779
(51) **LOC (13) Cl.** **22-05**
(52) **U.S. Cl.**
USPC **D22/141**
(58) **Field of Classification Search**
USPC D22/137–141; 43/19–22; 242/223–224,
242/234–240, 255, 310–312, 314–315,
242/318, 322, 370
CPC A01K 89/00; A01K 89/0183; A01K
89/0192; A01K 89/01121; A01K 89/09;
A01K 89/004; A01K 89/006; A01K
89/015
See application file for complete search history.

FIG. 1 is a first perspective view of a fishing reel that includes a fishing reel portion in accordance with my new design;
FIG. 2 is a second perspective view of the fishing reel illustrated in FIG. 1 that includes the fishing reel portion;
FIG. 3 is a front elevational view of the fishing reel illustrated in FIG. 1 that includes the fishing reel portion;
FIG. 4 is a rear elevational view of the fishing reel illustrated in FIG. 1 that includes the fishing reel portion;
FIG. 5 is a top plan view of the fishing reel illustrated in FIG. 1 that includes the fishing reel portion;
FIG. 6 is a bottom plan view of the fishing reel illustrated in FIG. 1 that includes the fishing reel portion;
FIG. 7 is a first side view of the fishing reel illustrated in FIG. 1 that includes the fishing reel portion;
FIG. 8 is a second side elevational view of the fishing reel illustrated in FIG. 1 that includes the fishing reel portion but in which the fishing reel portion is completely hidden from sight; and,
FIG. 9 is an enlarged, elevational view, similar to FIG. 7, of the fishing reel illustrated in FIG. 1 that includes the fishing reel portion, but with certain edges being disclaimed.
In the drawings, the broken line illustration of the environmental structure (the remaining structure of the fishing reel) in the drawings is not part of the claimed design. In other words, the broken line portion of the fishing reel does not form part of the claimed design.

(56) **References Cited**
U.S. PATENT DOCUMENTS
D500,834 S * 1/2005 Nago D22/140
D709,985 S * 7/2014 Deguchi D22/140
D767,083 S 9/2016 Niitsuma
D785,749 S * 5/2017 Kano D22/140
D846,061 S 4/2019 Niitsuma
D846,065 S * 4/2019 Deguchi D22/141
D892,969 S * 8/2020 Aoki D22/141
2015/0090824 A1 * 4/2015 Ikebukuro A01K 89/015
242/310
2016/0165867 A1 * 6/2016 Hyun A01K 89/01121
242/310

(Continued)

1 Claim, 7 Drawing Sheets



(56)

References Cited

U.S. PATENT DOCUMENTS

2017/0303520 A1* 10/2017 Hyun A01K 89/0182
2019/0141972 A1* 5/2019 Oogose A01K 89/0193
242/314

* cited by examiner

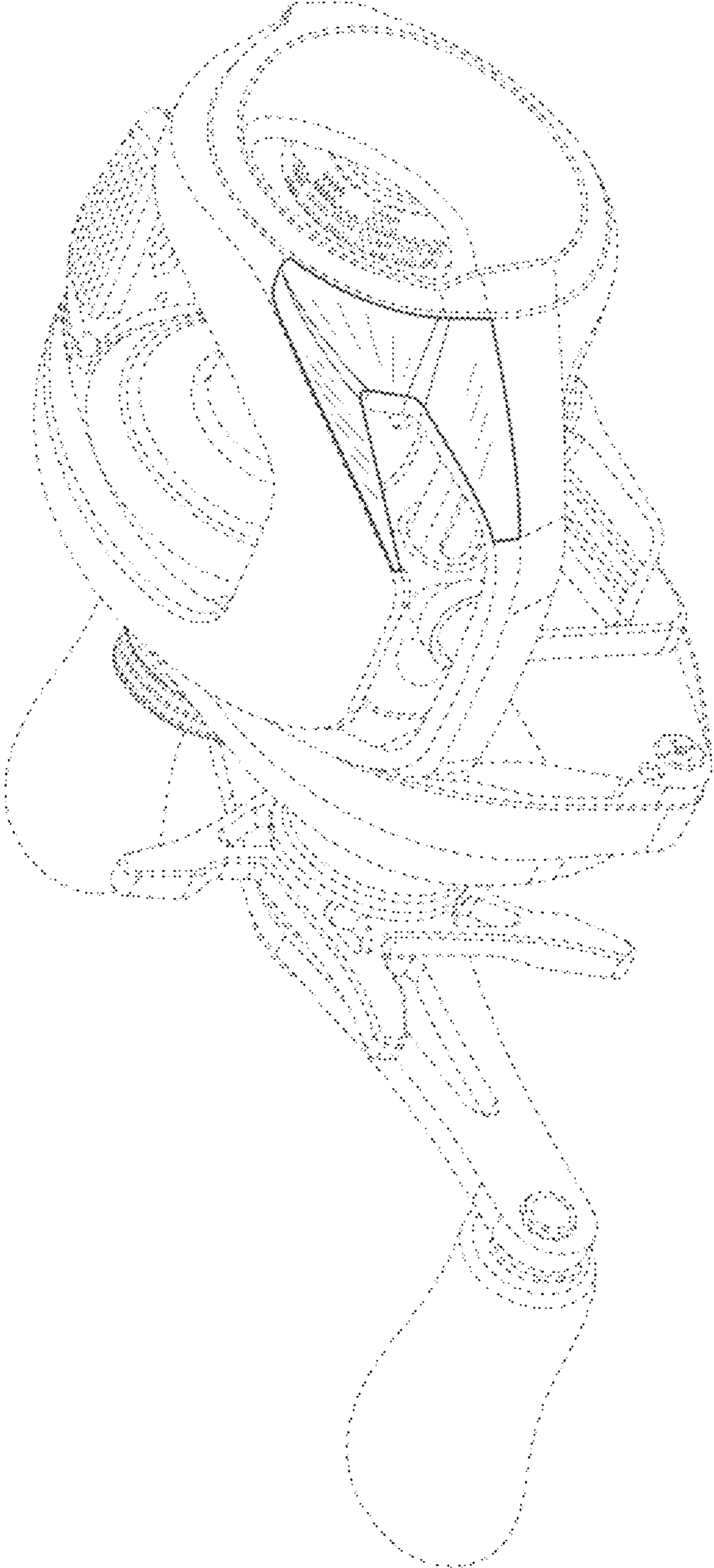


FIG. 1

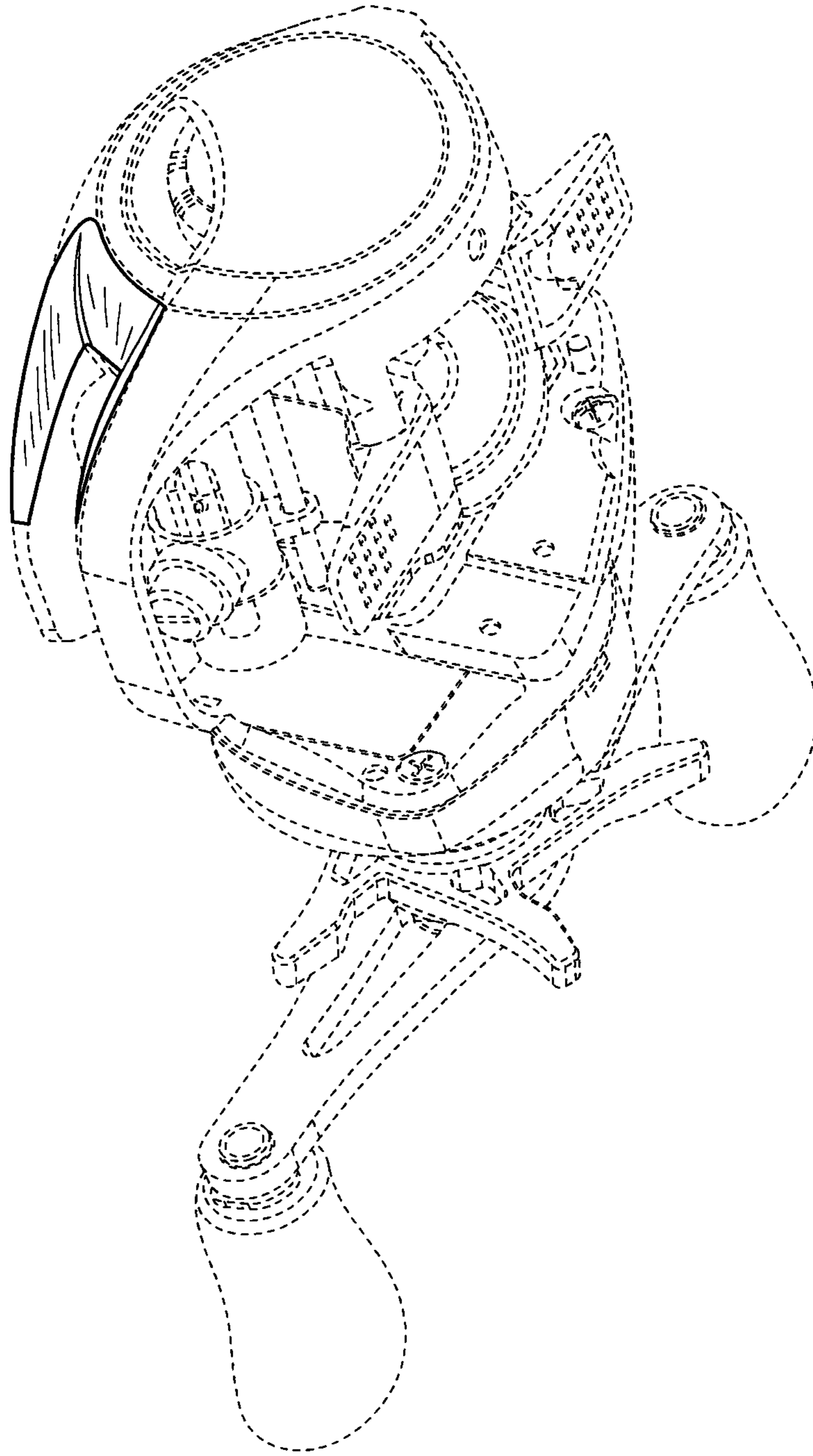


FIG. 2

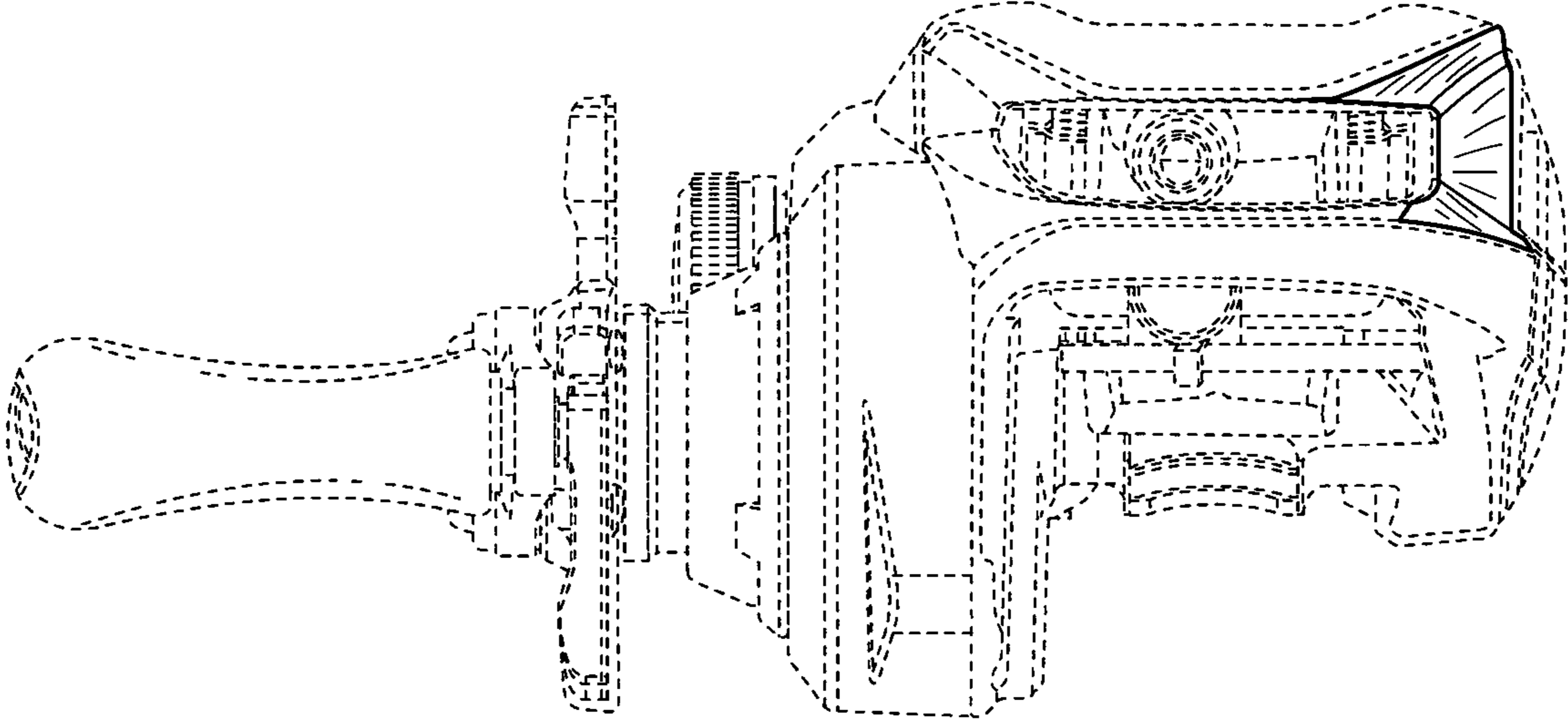


FIG. 3

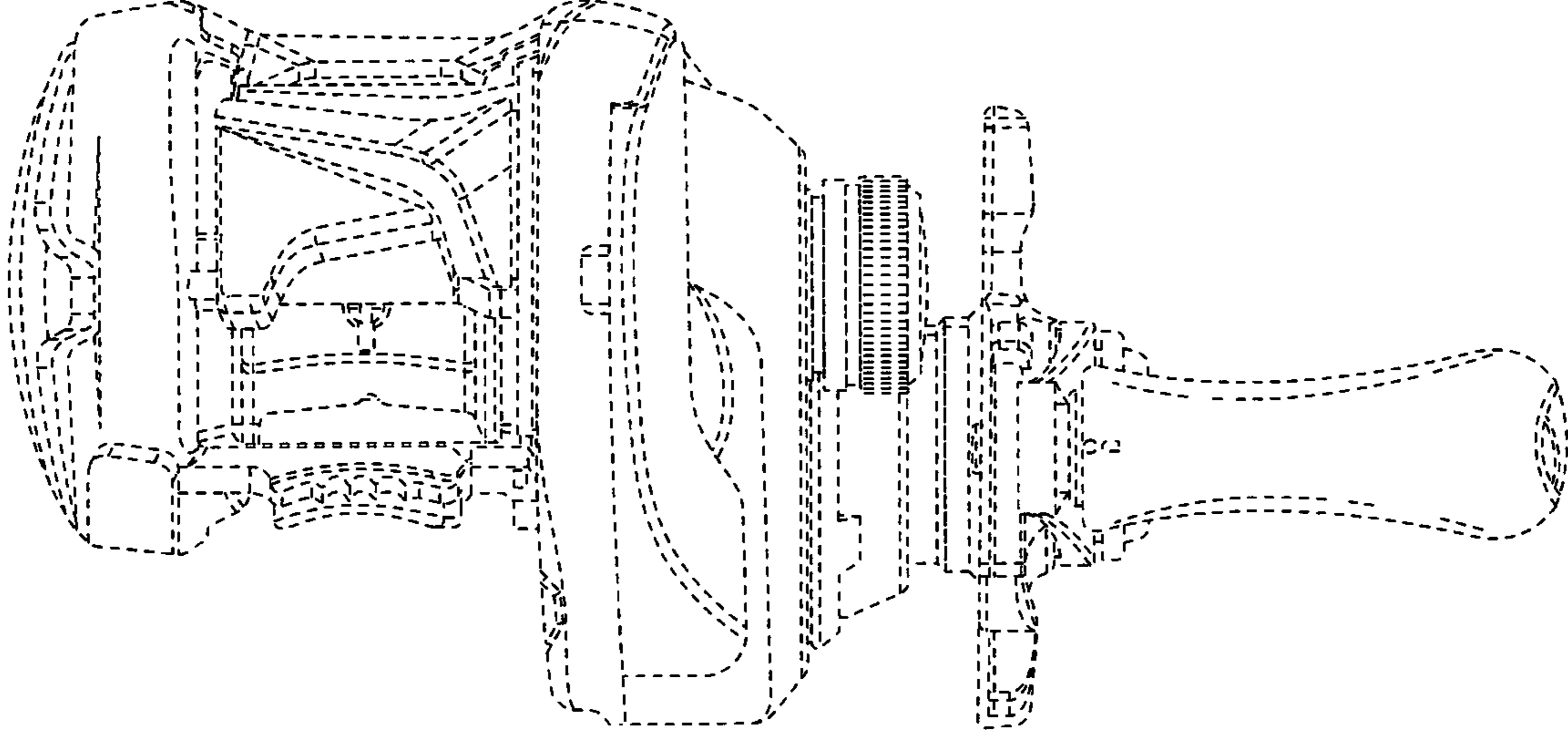


FIG. 4

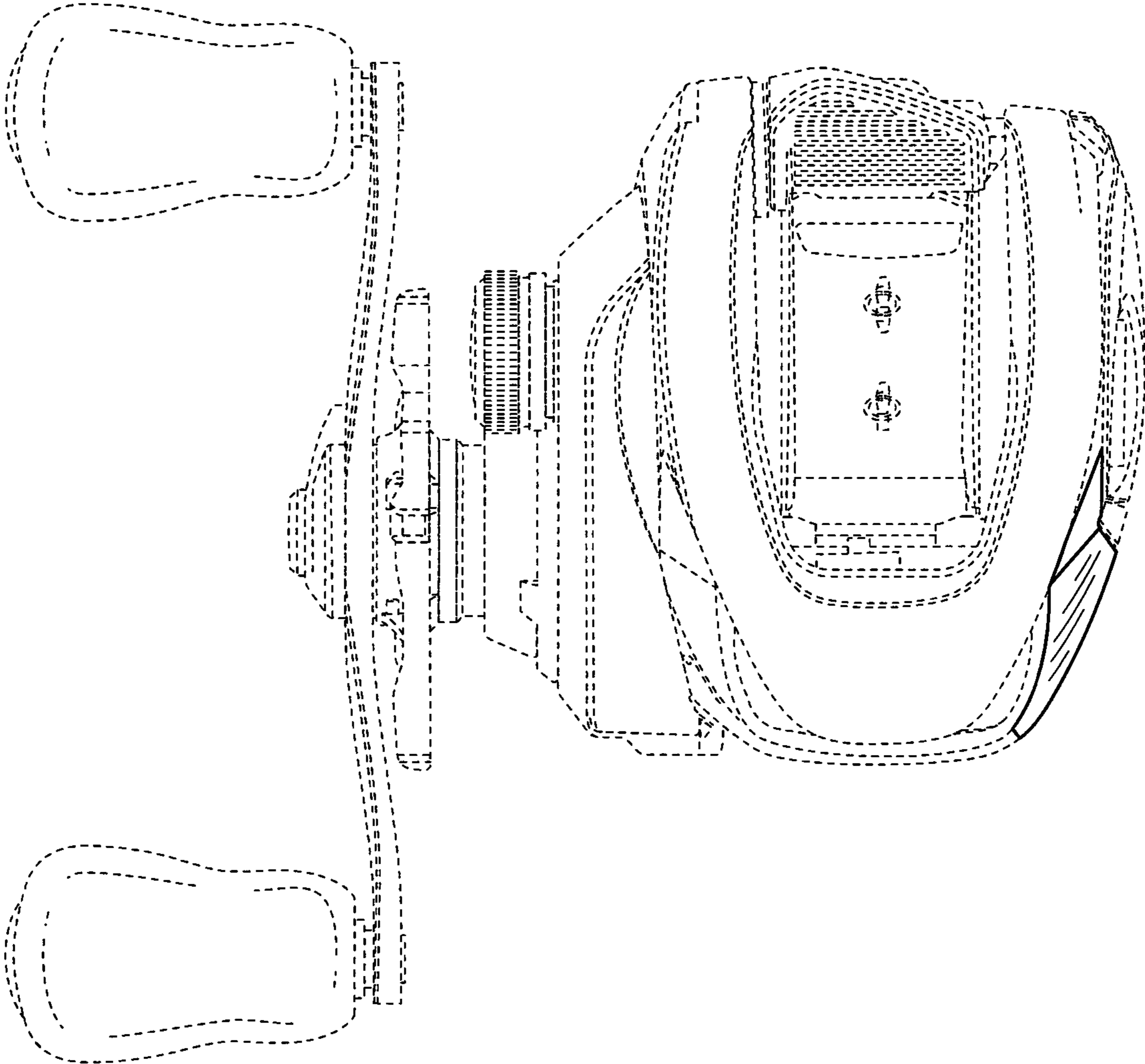


FIG. 5

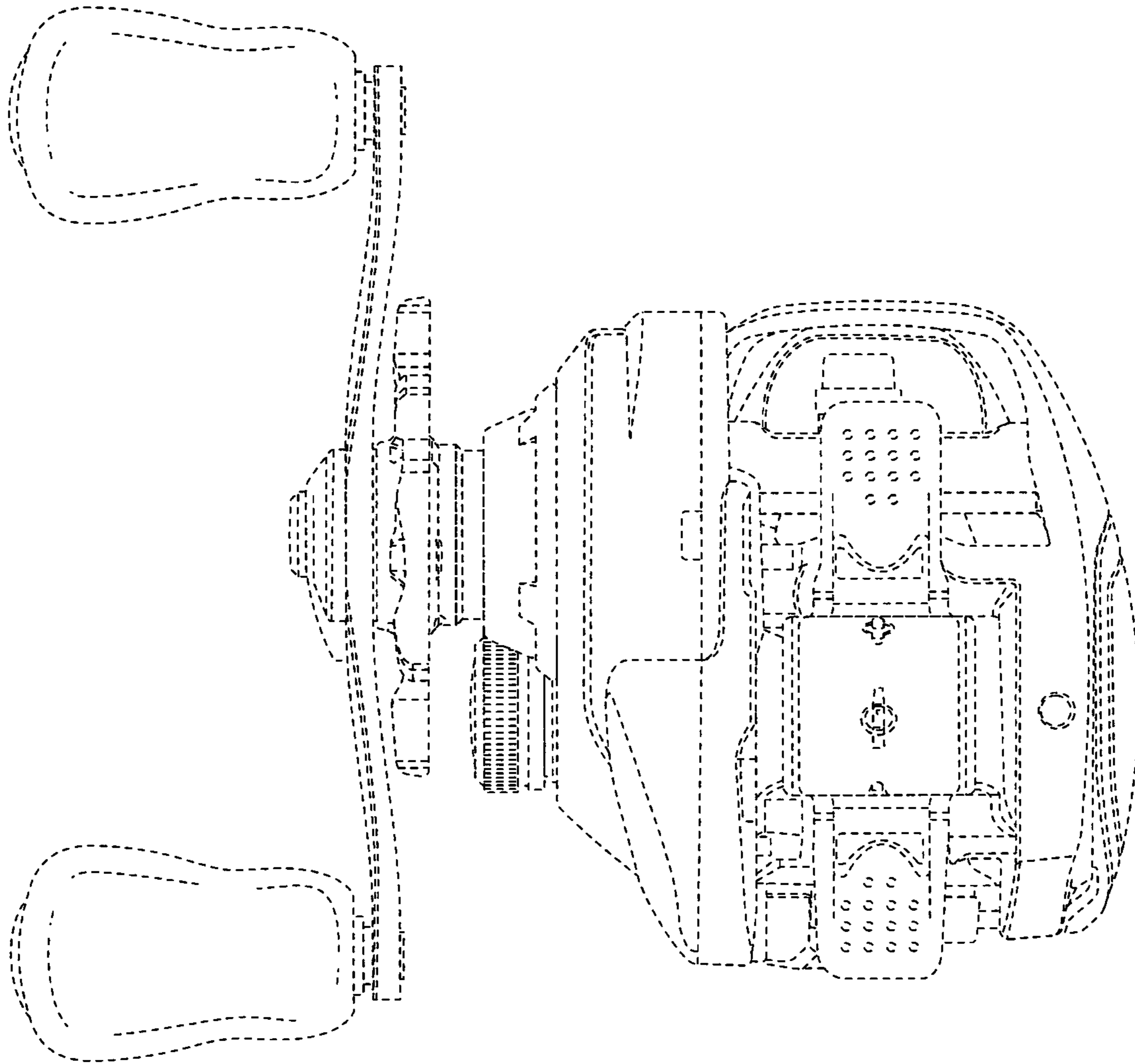


FIG. 6

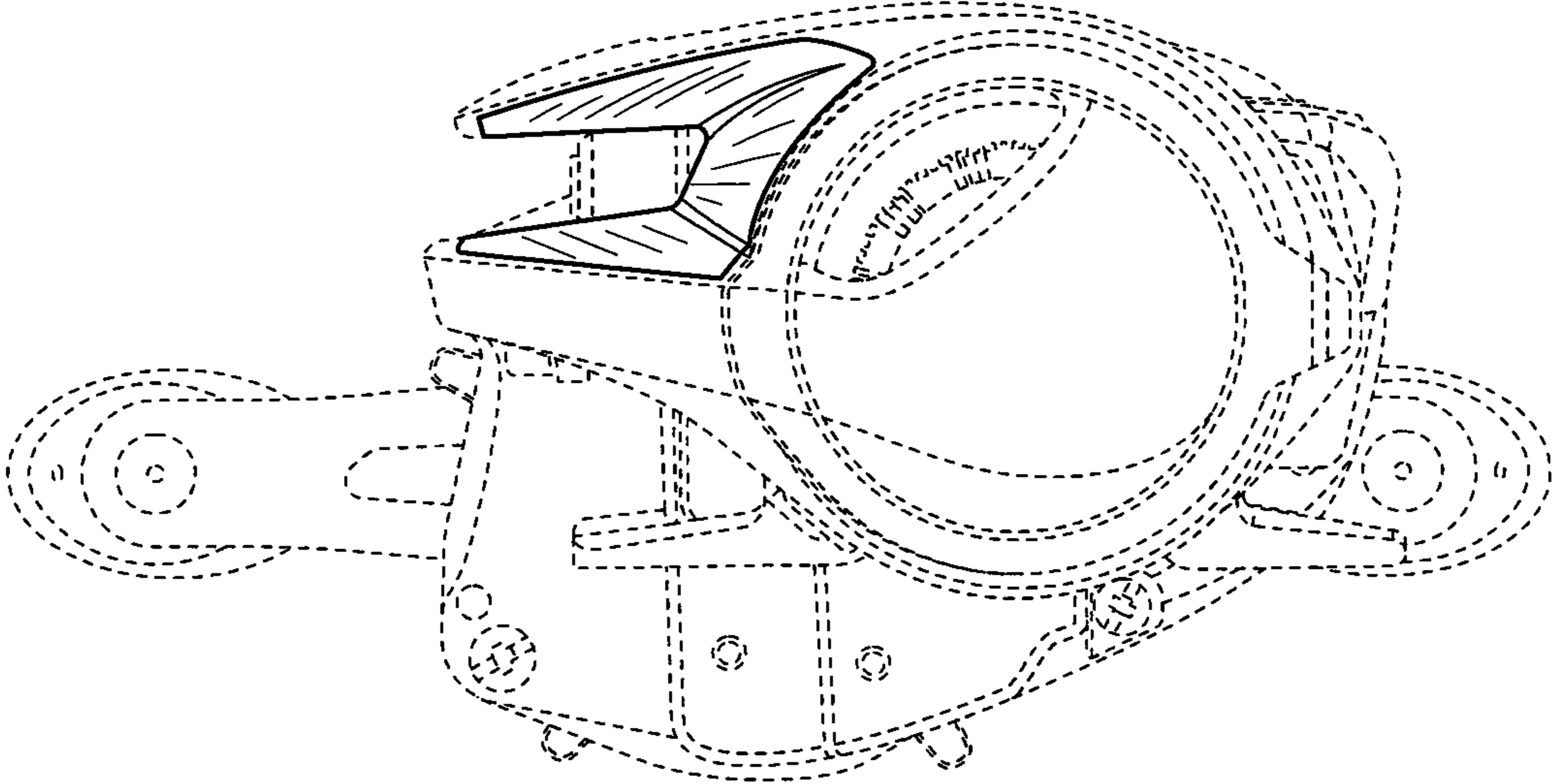


FIG. 7

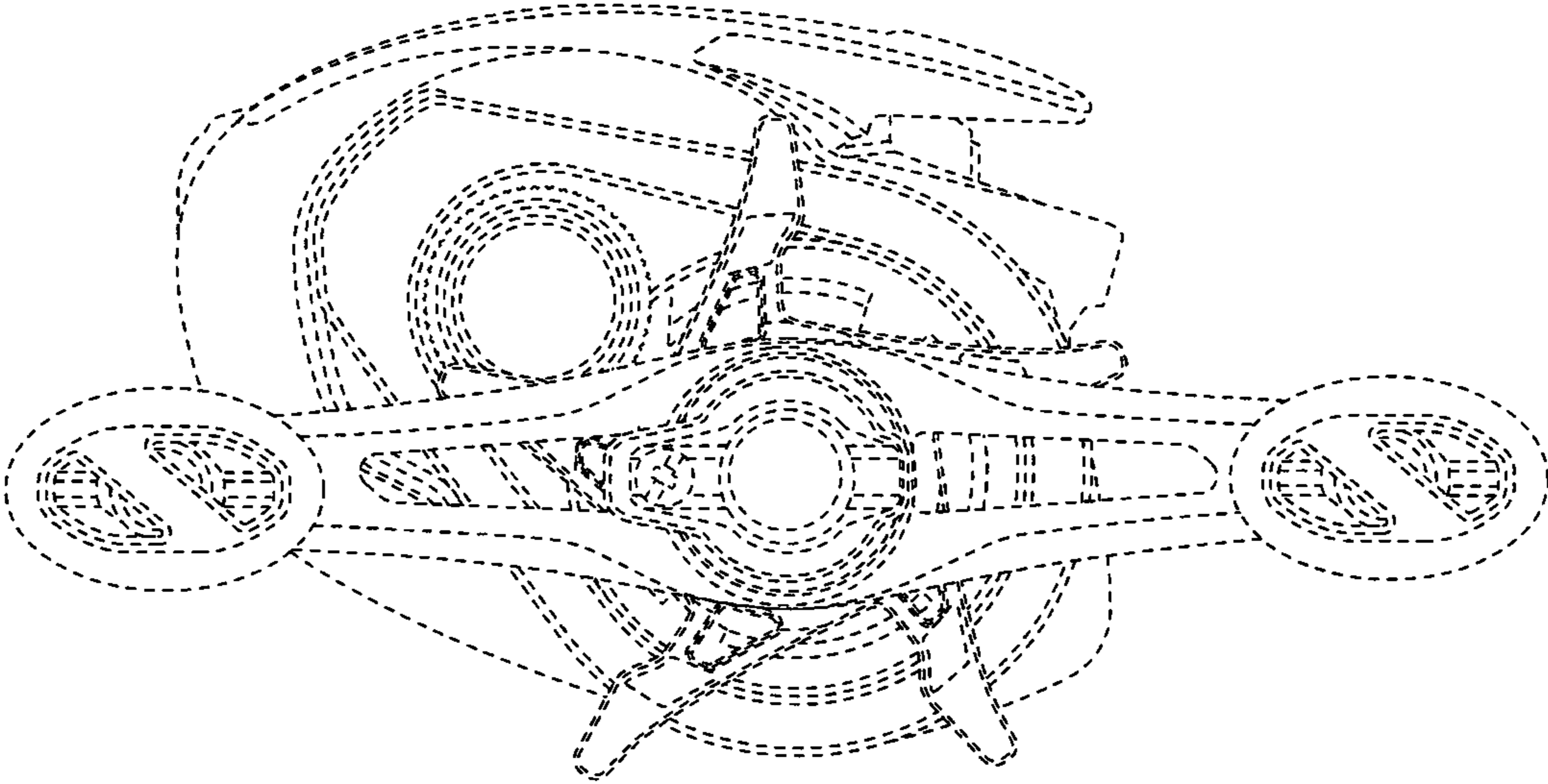


FIG. 8

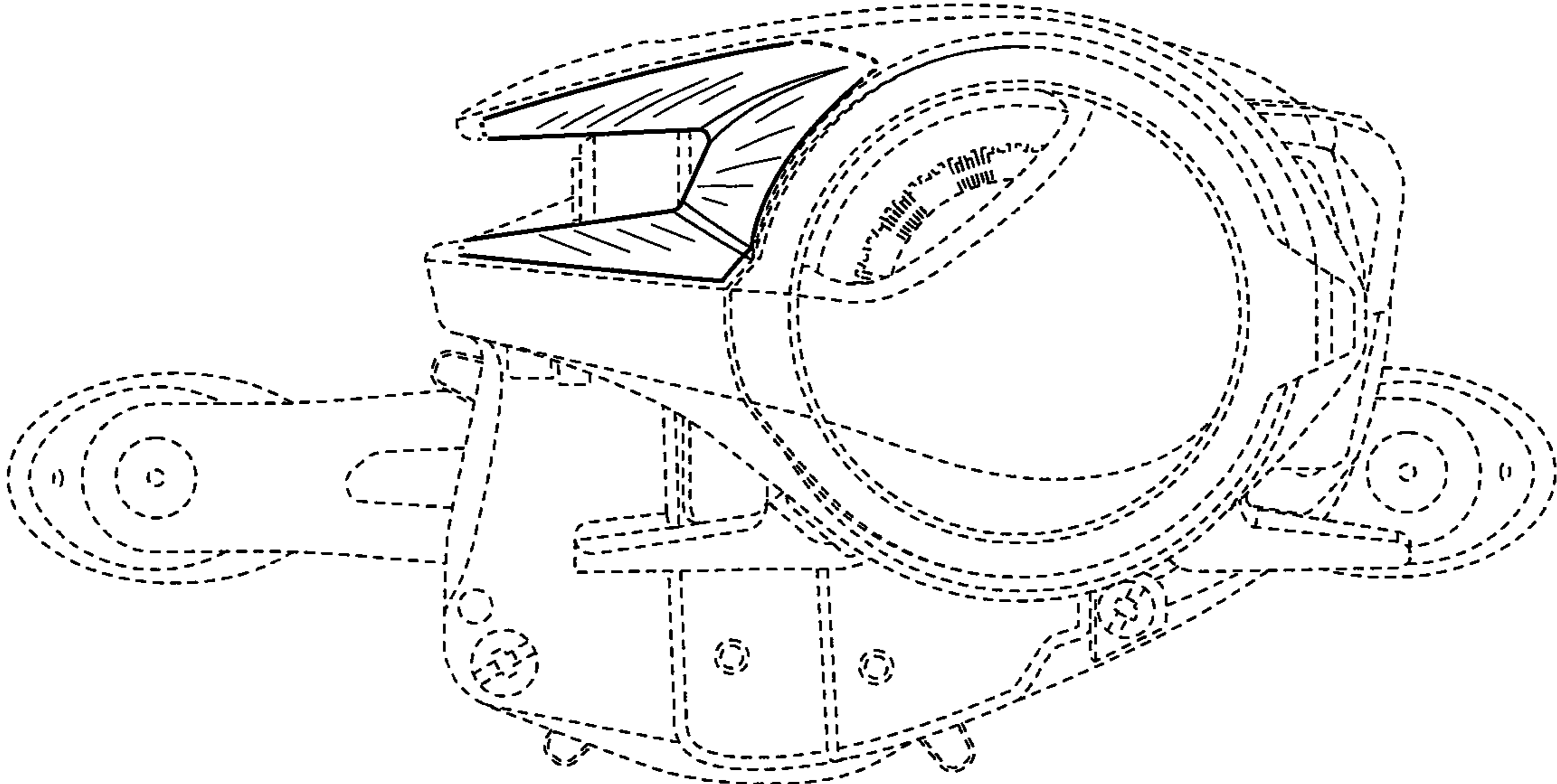


FIG. 9