



US00D919744S

(12) **United States Design Patent** (10) **Patent No.:** **US D919,744 S**
Feng (45) **Date of Patent:** **** May 18, 2021**

(54) **MOSQUITO LAMP**
(71) Applicant: **Wenjin Feng**, Yangjiang (CN)
(72) Inventor: **Wenjin Feng**, Yangjiang (CN)
(73) Assignee: **SHENZHEN YIQIMAI TECHNOLOGY CO., LTD.**, Shenzhen (CN)
(**) Term: **15 Years**

D291,226 S * 8/1987 Wan D22/123
D293,014 S * 12/1987 Davis D22/123
D367,913 S * 3/1996 Hafford et al.
D538,377 S * 3/2007 Chen D22/123
D542,371 S * 5/2007 Chen D22/123
D544,942 S * 6/2007 Chen D22/123
D612,902 S * 3/2010 Fleming D22/123
8,319,649 B1 * 11/2012 Devane A01M 1/026
340/573.2
8,701,339 B1 4/2014 Walsh
D787,011 S 5/2017 Zhang
(Continued)

(21) Appl. No.: **29/749,304**
(22) Filed: **Sep. 3, 2020**
(51) **LOC (13) Cl.** **22-06**
(52) **U.S. Cl.**
USPC **D22/123**
(58) **Field of Classification Search**
USPC D22/120, 122-123; 43/107, 112-114,
43/121-122, 131, 132.1; 340/552, 556,
340/561, 573.2; D26/37-38, 41;
362/157, 162, 171, 178
CPC A01M 1/04; A01M 1/08; A01M 1/023;
A01M 1/026; A01M 1/223; A01M
2200/012; F21L 2003/00
See application file for complete search history.

OTHER PUBLICATIONS

YIER Solar Powered Outdoor Insect Killer/Bug Zapper/Mosquito Killer—Hang or Stick in The Ground—Dual Modes—Bug Zapper & Garden Light Function. https://www.amazon.com/YIER-Solar-Powered-Outdoor-Mosquito-Killer/product-reviews/B01I2YH0IA/ref=cm_cr_dp_d_show_all_btm?ie=UTF8&reviewerType=all_reviews (Year: 2019).*

Primary Examiner — Catherine R Oliver-Garcia

(57) **CLAIM**

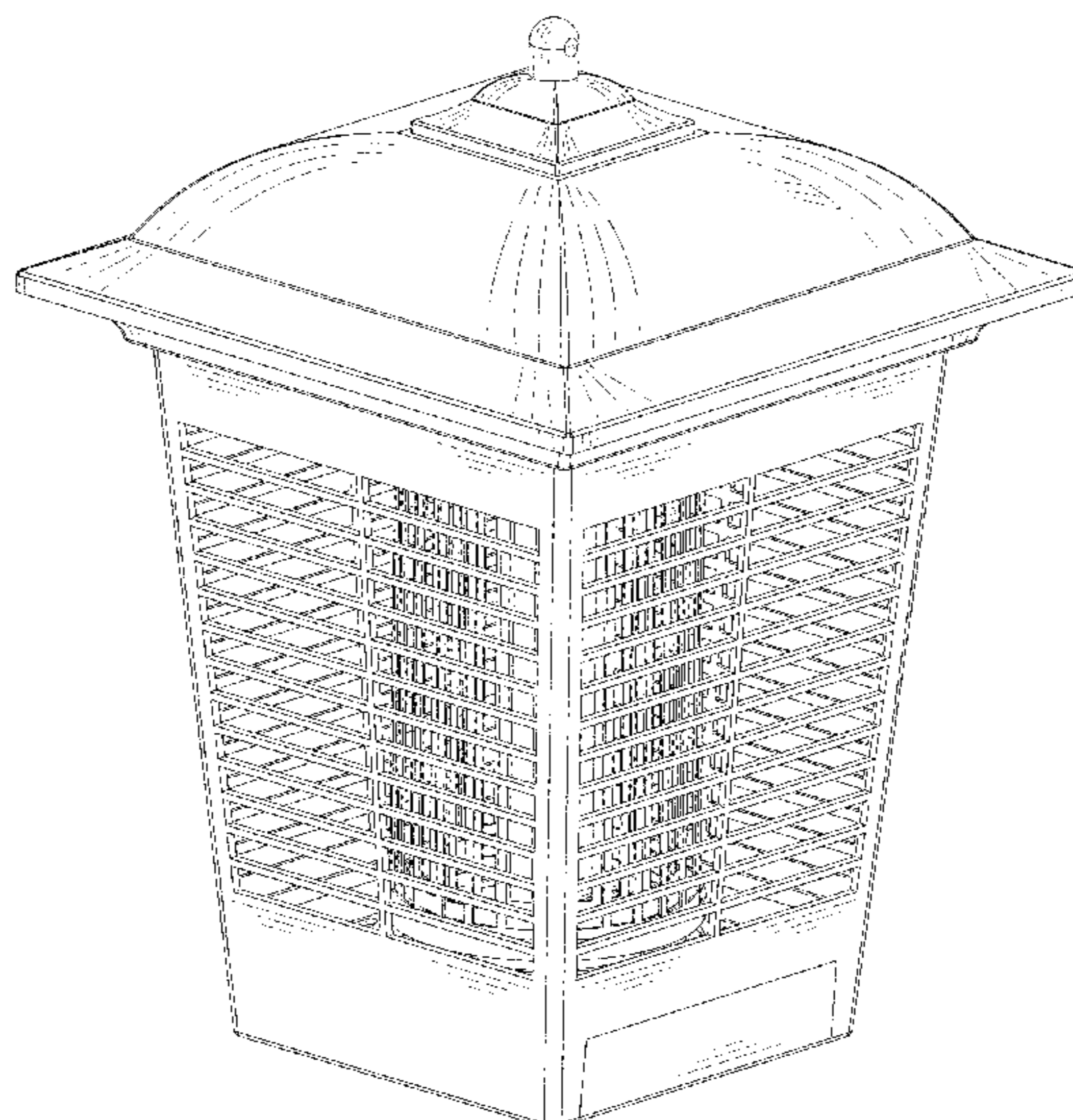
The ornamental design for a mosquito lamp, as shown and described.

DESCRIPTION

FIG. 1 is a perspective view of a mosquito lamp showing my new design;
FIG. 2 is a front elevational view thereof;
FIG. 3 is a rear elevational view thereof;
FIG. 4 is a left side elevational view thereof;
FIG. 5 is a right side elevational view thereof;
FIG. 6 is a top plan view thereof;
FIG. 7 is a bottom plan view thereof; and,
FIG. 8 is another perspective view thereof.
The broken lines throughout the drawing figures depict portions of the mosquito lamp that form no part of the claimed design.

1 Claim, 8 Drawing Sheets

(56) **References Cited**
U.S. PATENT DOCUMENTS
1,952,795 A * 3/1934 Frost A01M 1/223
43/112
3,823,506 A * 7/1974 Iannini A01M 1/223
43/112
3,835,577 A * 9/1974 Soulos A01M 1/04
43/112
D244,286 S * 5/1977 DeYoreo D22/123
4,248,005 A * 2/1981 Hedstrom A01M 1/04
43/112
D271,612 S * 11/1983 Minick D22/123
D283,152 S * 3/1986 Cuning D22/123
D283,153 S * 3/1986 DeYoreo D22/123
D290,284 S * 6/1987 Chen D22/123



(56)

References Cited

U.S. PATENT DOCUMENTS

D831,784 S 10/2018 Rubel
D868,932 S 12/2019 Zhu
D870,233 S 12/2019 Zhu
D900,957 S * 11/2020 Du D22/123

* cited by examiner

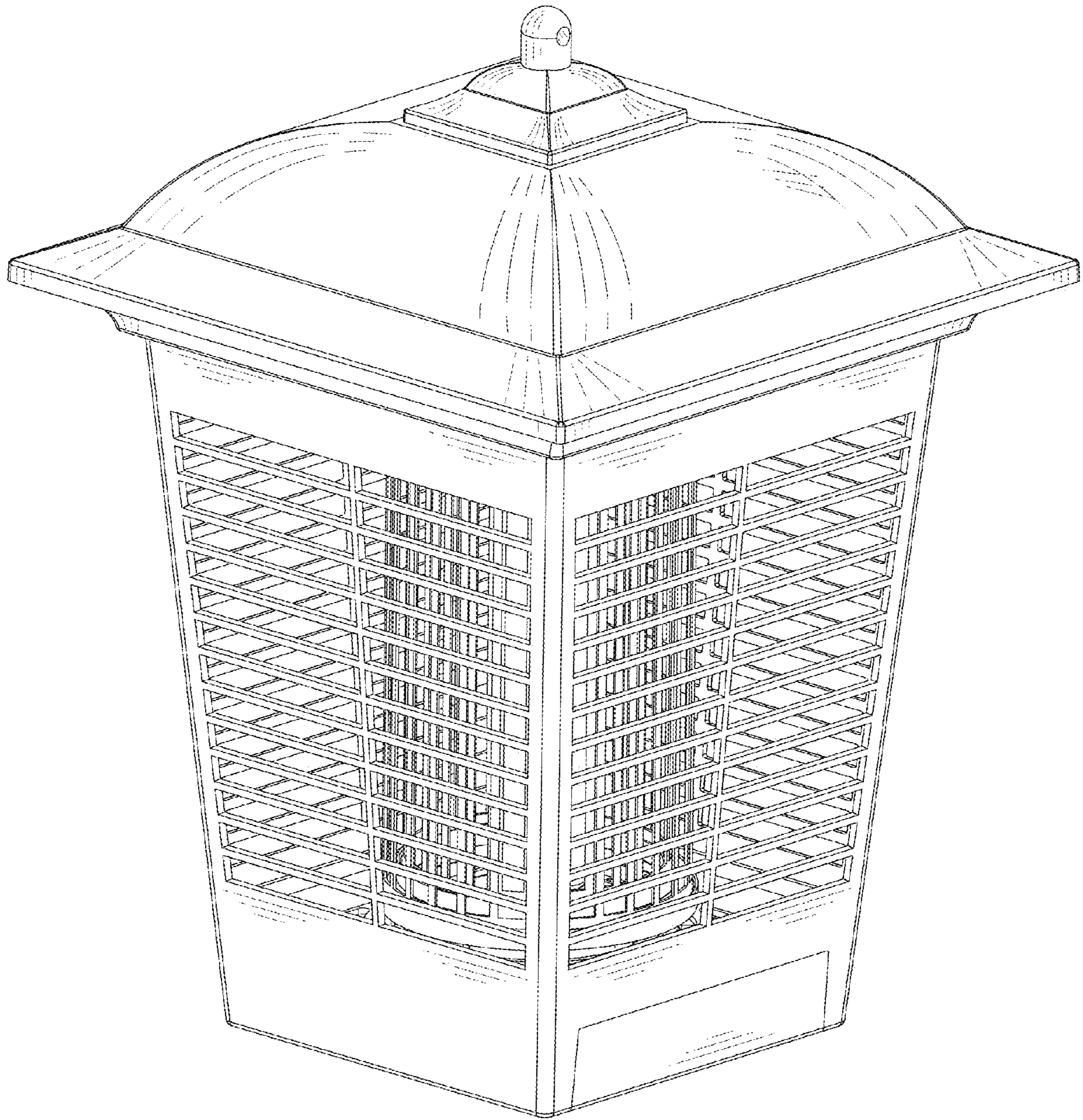


FIG.1

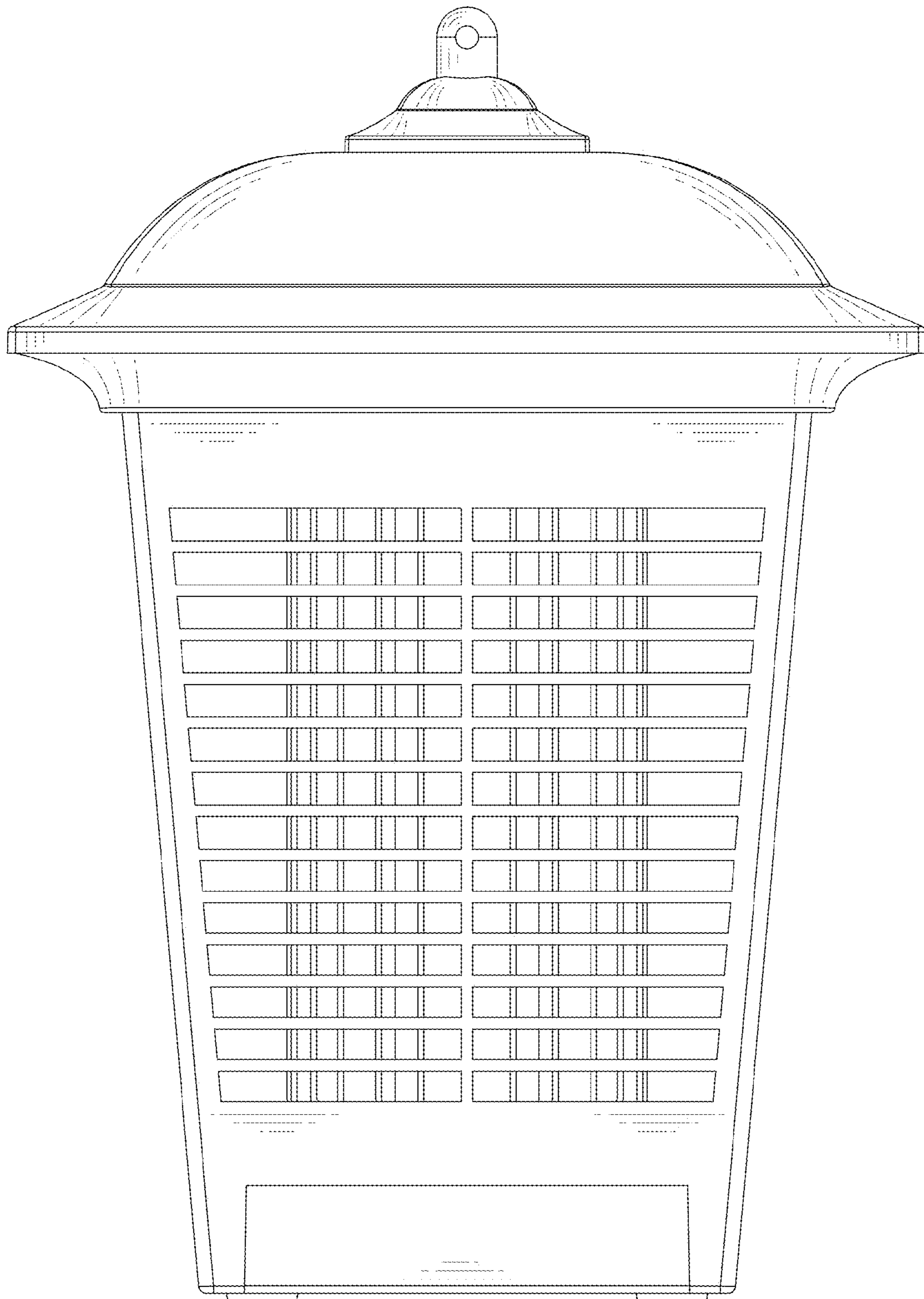


FIG. 2

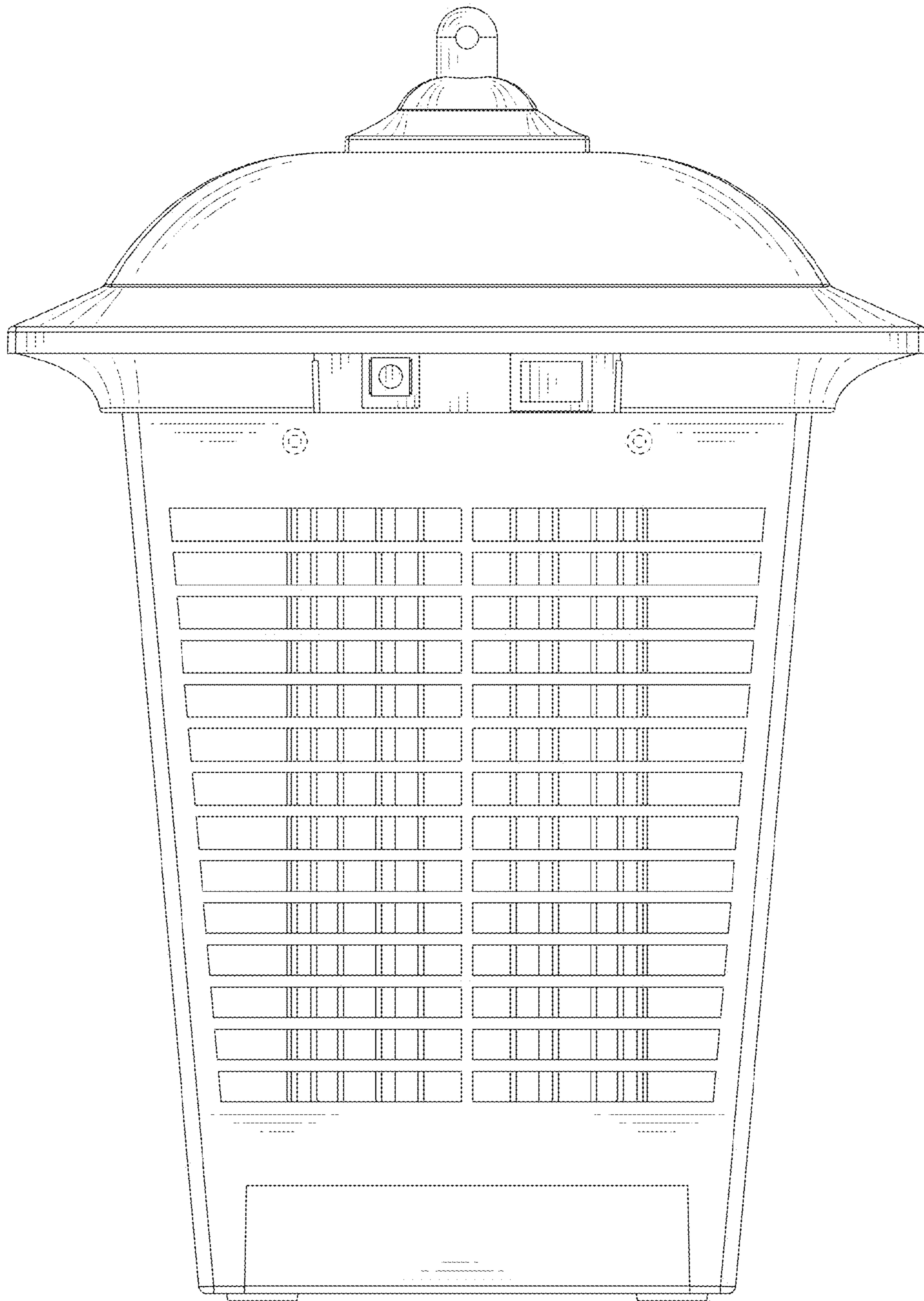


FIG.3

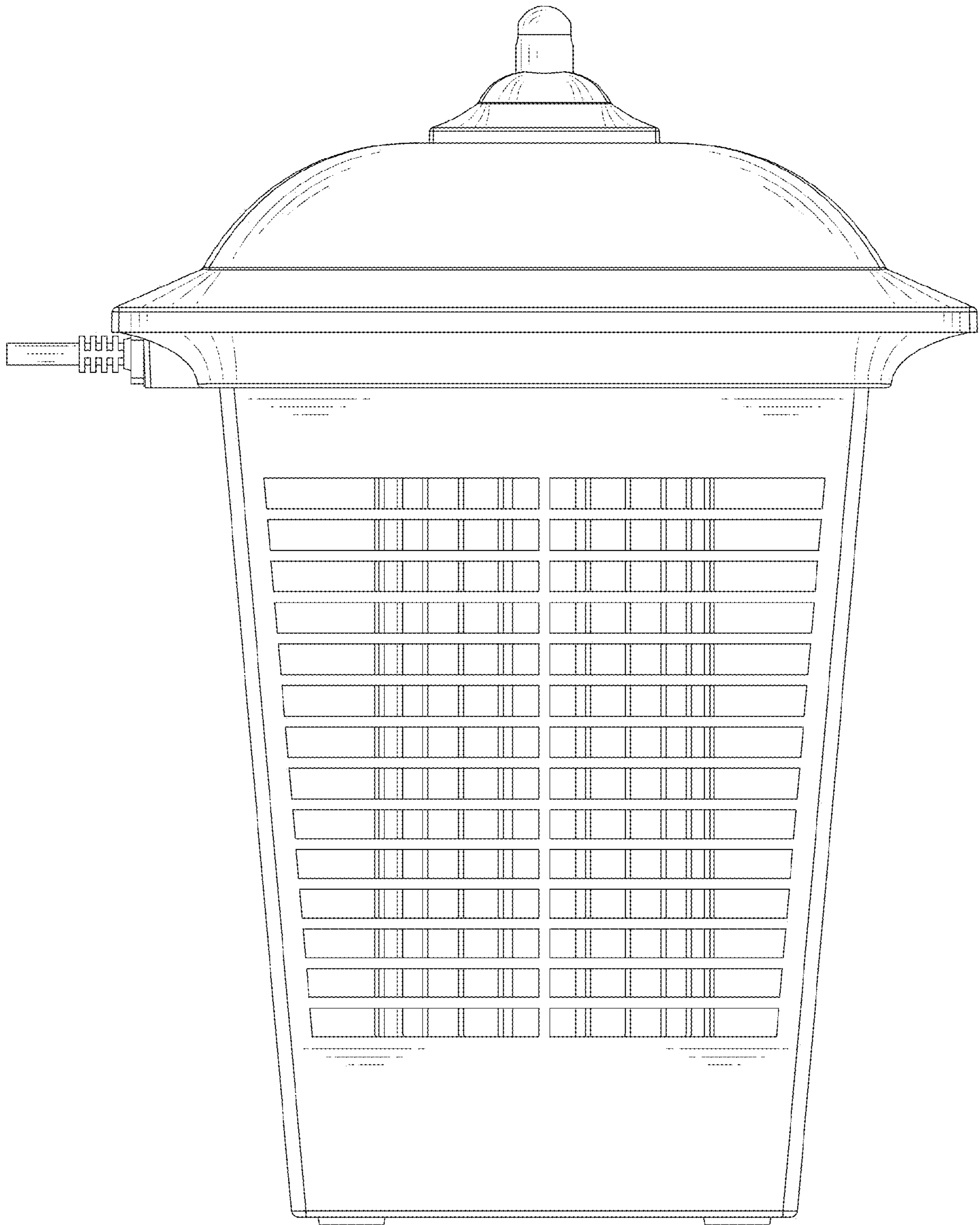


FIG.4

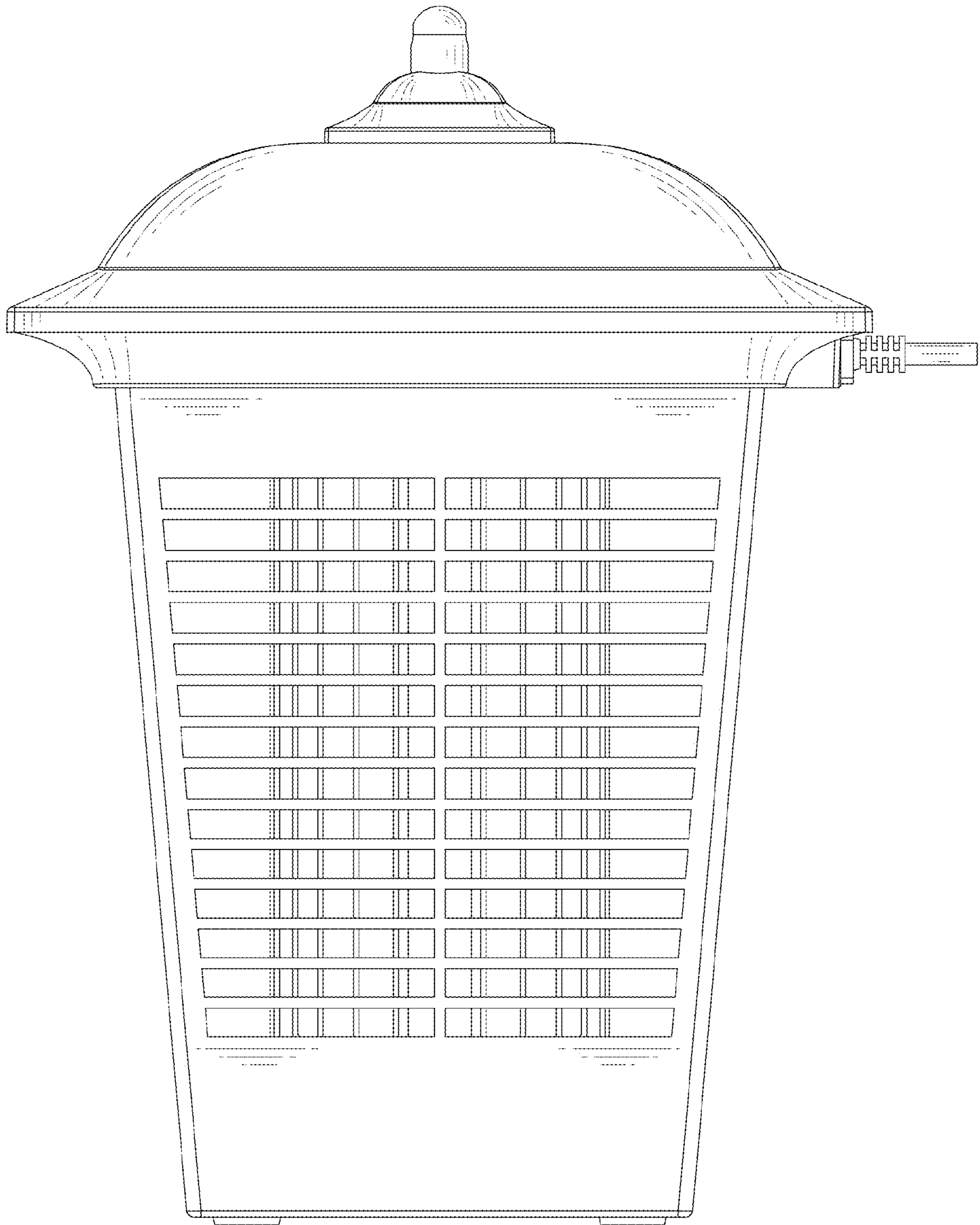


FIG.5

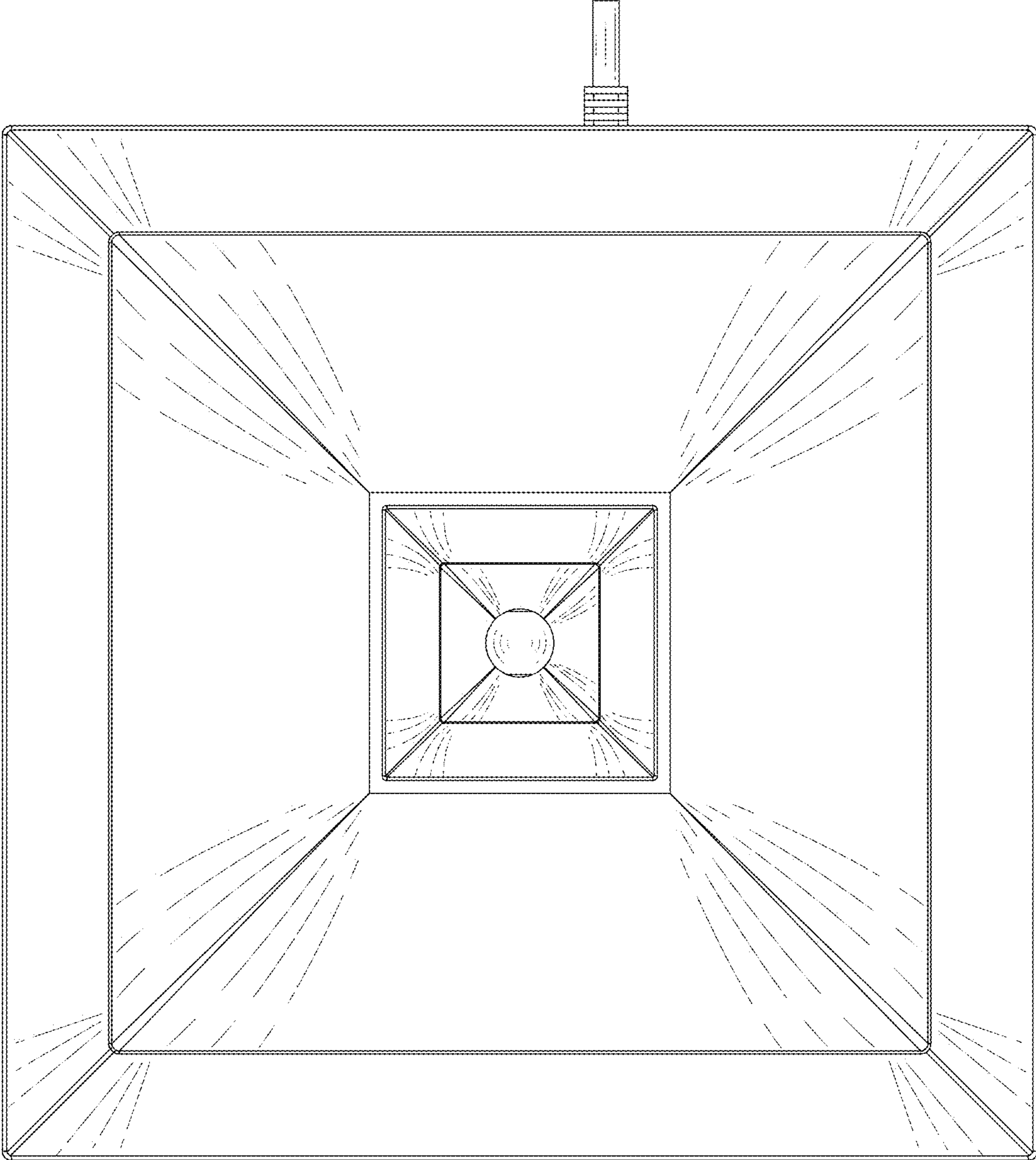


FIG.6

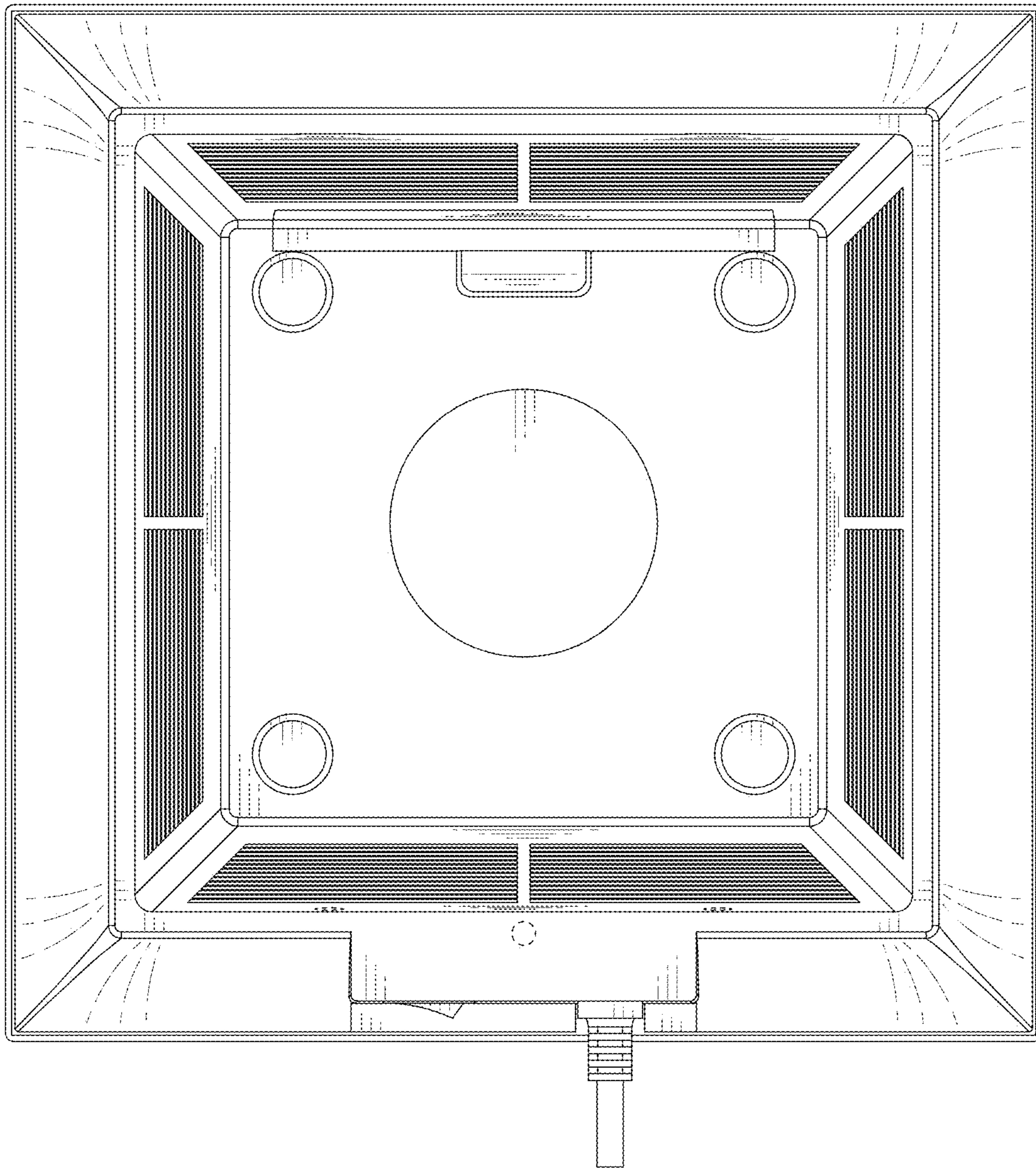


FIG.7

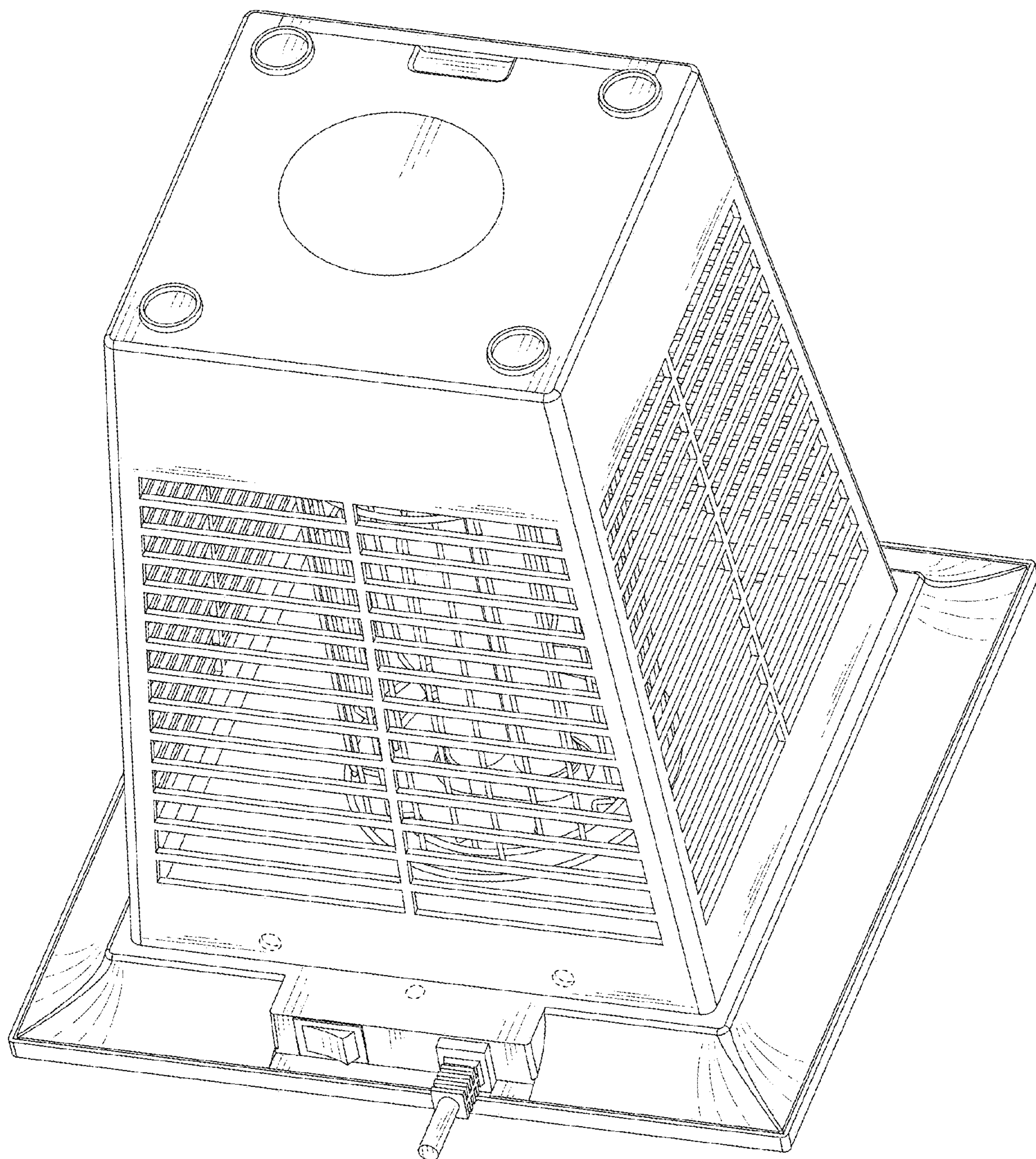


FIG.8