



US00D919743S

(12) **United States Design Patent**
DiMeo et al.

(10) **Patent No.:** **US D919,743 S**
(45) **Date of Patent:** **** May 18, 2021**

(54) **INSECT TRAP**

(71) Applicant: **NOVELTY MANUFACTURING CO.,**
Lancaster, PA (US)

(72) Inventors: **Joseph David DiMeo,** Lancaster, PA
(US); **Phillip Hall Hutchinson,**
Lancaster, PA (US)

(73) Assignee: **NOVELTY MANUFACTURING CO.,**
Lancaster, PA (US)

(**) Term: **15 Years**

(21) Appl. No.: **29/724,443**

(22) Filed: **Feb. 14, 2020**

(51) **LOC (13) Cl.** **22-06**

(52) **U.S. Cl.**
USPC **D22/122**

(58) **Field of Classification Search**
USPC D22/122; 248/517, 519; 135/16, 30,
135/43.17; 43/107, 111-113, 121, 122,
43/124, 131, 132.1, 138-139; D23/366
CPC A01M 1/00; A01M 1/02; A01M 1/10;
A01M 2200/012
See application file for complete search history.

4,706,410 A * 11/1987 Briese A01M 1/02
43/107

4,899,485 A * 2/1990 Schneidmiller A01M 1/02
43/107

4,979,329 A * 12/1990 Olive A01M 1/145
43/113

5,090,153 A * 2/1992 Mullen A01M 1/026
43/114

5,392,558 A * 2/1995 Blomquist A01M 1/02
43/107

D358,443 S * 5/1995 Demarest D22/122

8,919,361 B2 * 12/2014 Ma G05F 1/30
248/519

D837,335 S 1/2019 DiMeo

D837,336 S 1/2019 DiMeo

2006/0042154 A1 * 3/2006 Rich A01M 1/10
43/107

2008/0127546 A1 * 6/2008 Rich A01M 1/106
43/122

2008/0168701 A1 * 7/2008 Hu A01M 1/04
43/107

* cited by examiner

Primary Examiner — Catherine R Oliver-Garcia
(74) *Attorney, Agent, or Firm* — Volpe Koenig

(57) **CLAIM**

The ornamental design for an insect trap, as shown and described.

DESCRIPTION

FIG. 1 is a perspective view of an insect trap according to our design;

FIG. 2 is a front elevation thereof;

FIG. 3 is a rear elevation thereof;

FIG. 4 is a right side elevation thereof;

FIG. 5 is a left side elevation thereof;

FIG. 6 is a top plan view thereof; and,

FIG. 7 is a bottom plan view thereof.

1 Claim, 5 Drawing Sheets

(56) **References Cited**

U.S. PATENT DOCUMENTS

129,317 A * 7/1872 Childs 43/107

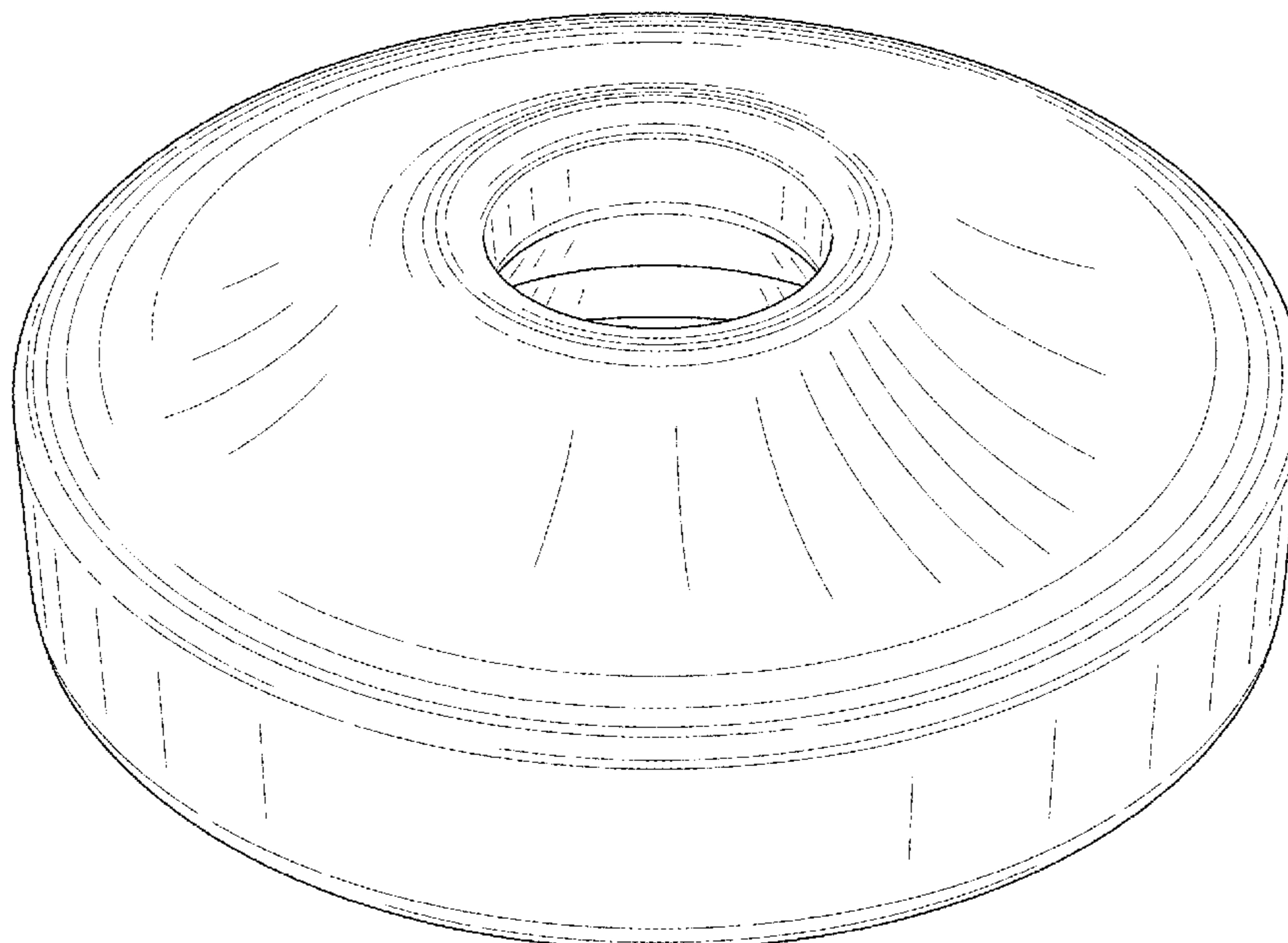
D32,432 S * 4/1900 Lewis D22/122

D56,552 S * 11/1920 Cardinet D22/122

1,519,456 A * 12/1924 Jones A01M 1/20
43/131

2,167,978 A * 8/1939 Balthasar A01M 1/2005
43/121

4,263,740 A * 4/1981 Hemsarth A01M 1/02
43/114



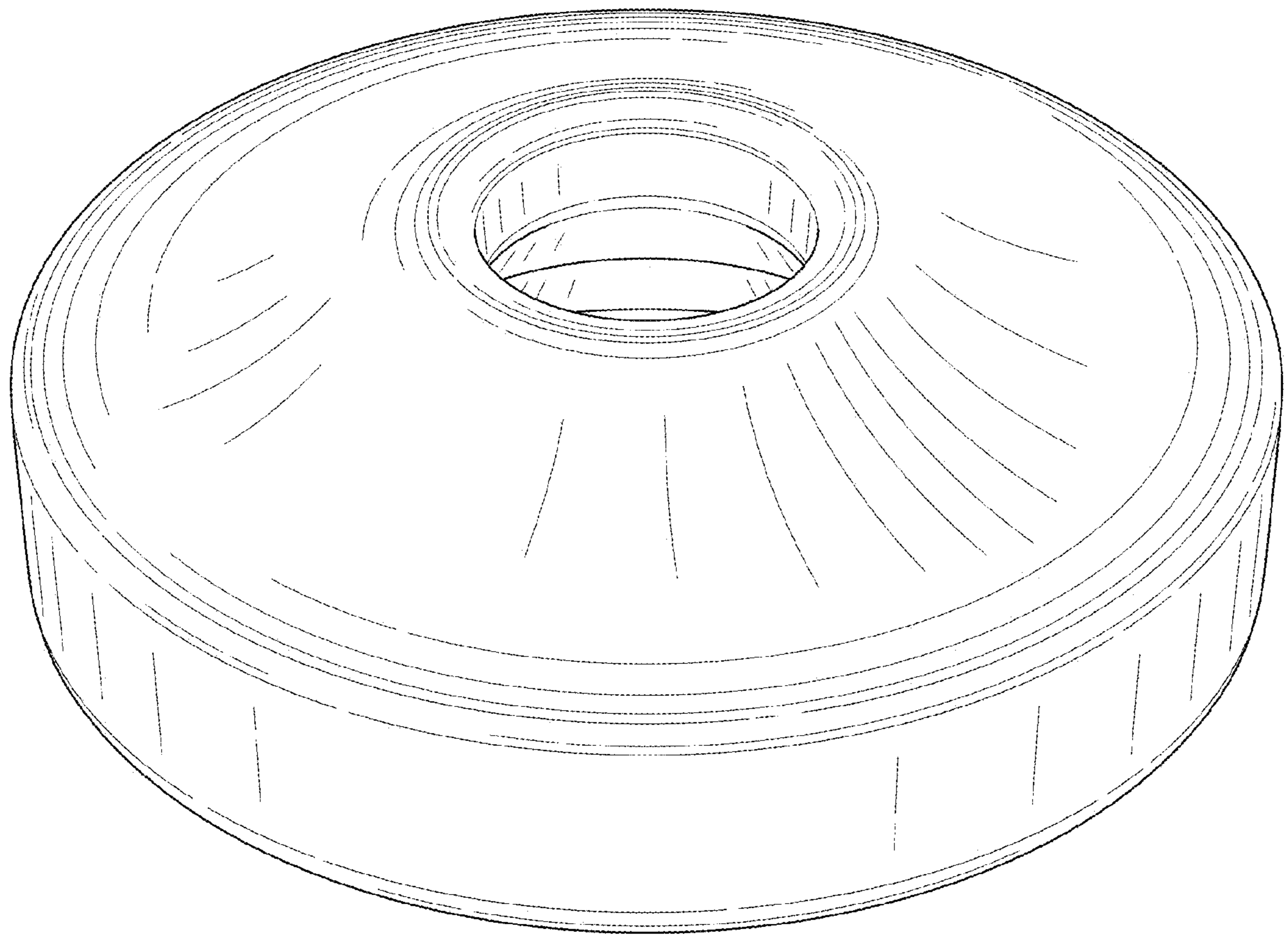


FIG. 1

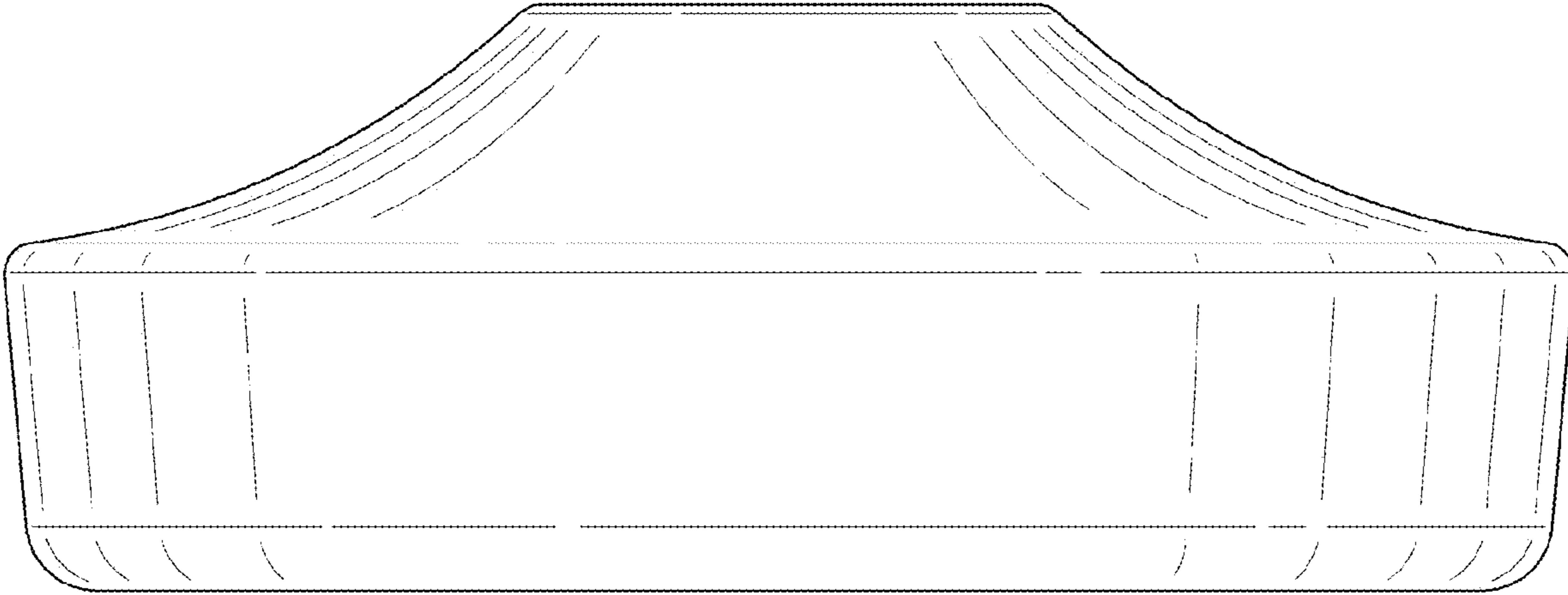


FIG. 2

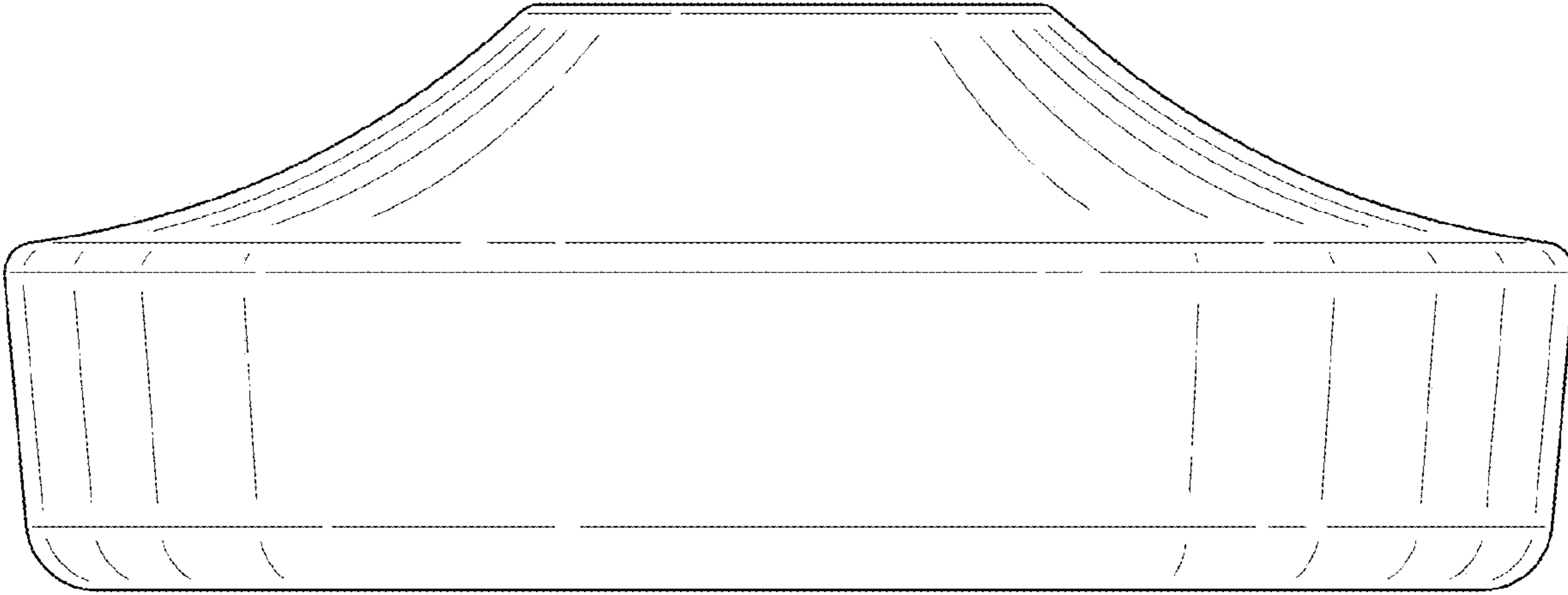


FIG. 3

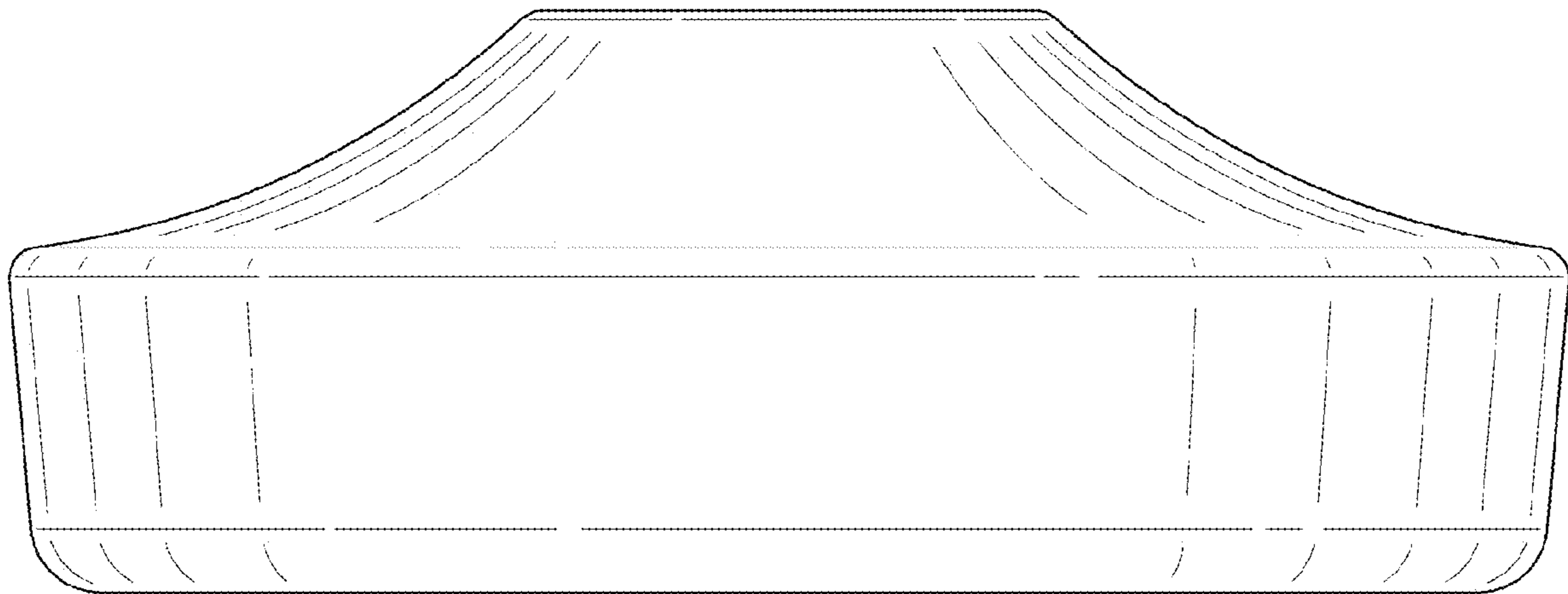


FIG. 4

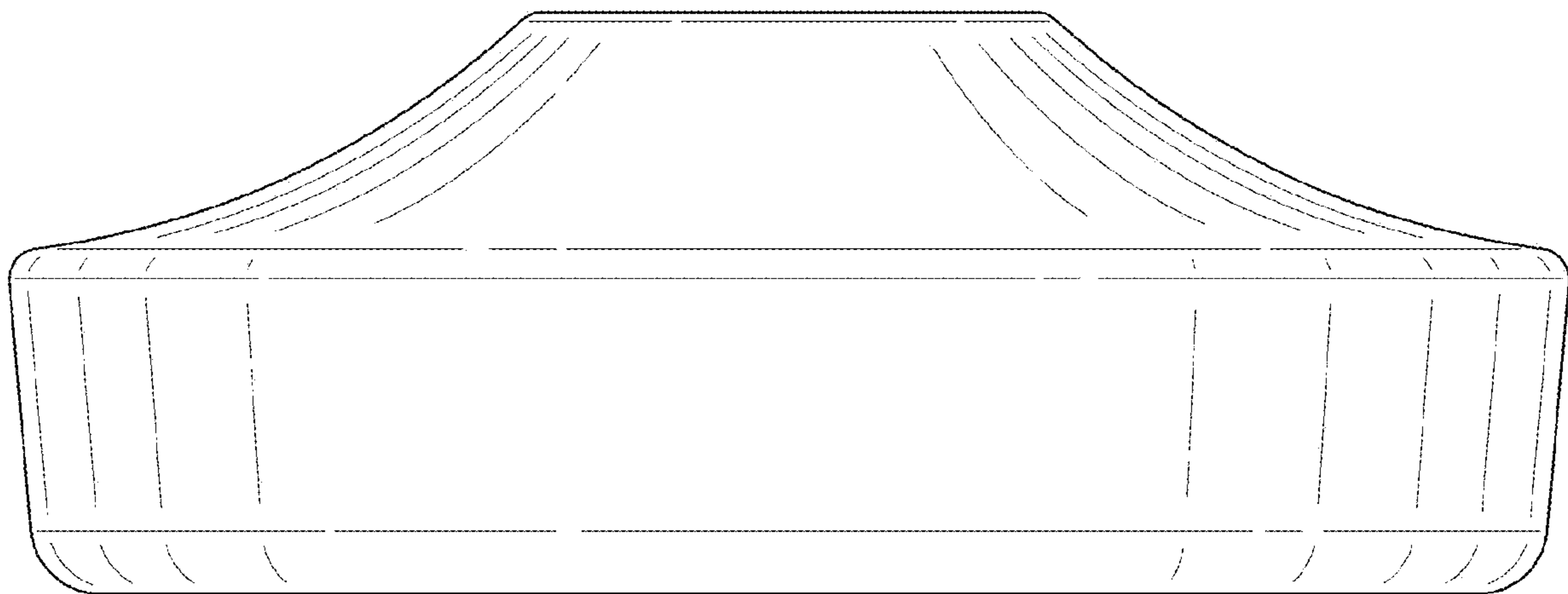


FIG. 5

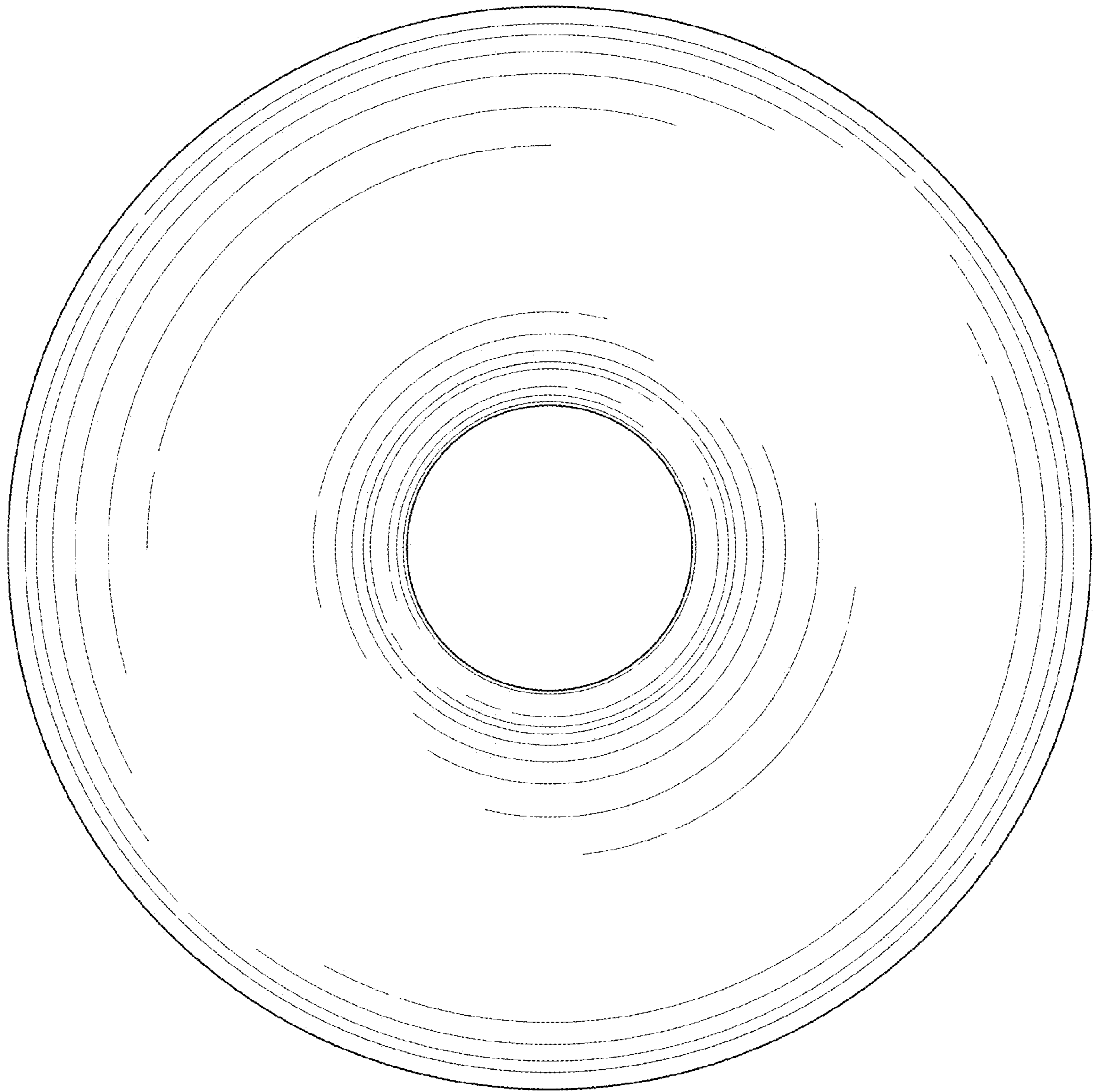


FIG. 6

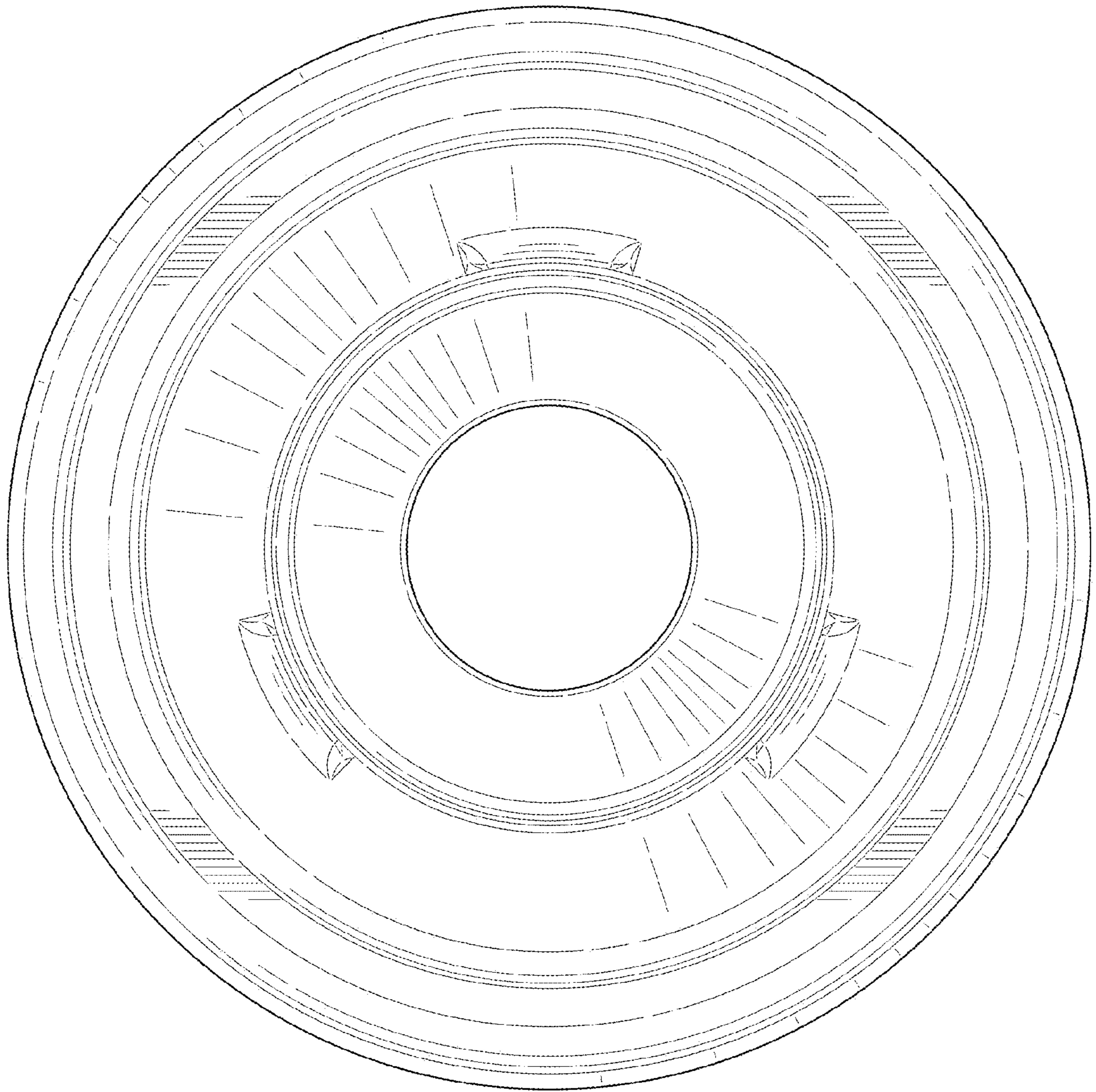


FIG. 7