



US00D919741S

(12) **United States Design Patent** (10) **Patent No.:** **US D919,741 S**
He (45) **Date of Patent:** **** May 18, 2021**

(54) **RODENT REPELLANT**

(71) Applicant: **Chao He**, Shenzhen (CN)

(72) Inventor: **Chao He**, Shenzhen (CN)

(**) Term: **15 Years**

(21) Appl. No.: **29/729,696**

(22) Filed: **Mar. 30, 2020**

(51) **LOC (13) Cl.** **22-06**

(52) **U.S. Cl.**
USPC **D22/120**

(58) **Field of Classification Search**
USPC D22/120, 119, 123; 43/107, 121-122,
43/124, 131, 132.1
CPC A01M 1/04; A01M 1/026; A01M 1/223;
A01M 17/002; A01M 31/002; A01M
2200/012; A01M 29/16; A01M 29/18;
A01K 1/04; A01K 27/00; A01K 27/003;
A01K 97/05; G08B 23/00

See application file for complete search history.

(56) **References Cited**

U.S. PATENT DOCUMENTS

D238,171 S * 12/1975 Banich D22/120
5,799,435 A * 9/1998 Stafford A01K 97/05
43/57
D410,062 S * 5/1999 Jan D22/120
D460,800 S * 7/2002 Jan D22/120
D681,769 S * 5/2013 Jan D22/120

D777,876 S * 1/2017 Zhang D22/120
D779,025 S * 2/2017 Jan D22/120
2007/0175085 A1* 8/2007 Chen A01M 1/223
43/112

OTHER PUBLICATIONS

Loraffe Plug-in Rodent Repellent Ultrasonic 4-in 1 Pest Repeller Mouse Blocker Rat Deterrent, https://www.amazon.com/Loraffe-Repellent-Ultrasonic-Ultrasound-Flashlights/product-reviews/B08CVDMCKW/ref=cm_cr_dp_d_show_all_btm?ie=UTF8&reviewerType=all_reviews (Year: 2020).*

* cited by examiner

Primary Examiner — Catherine R Oliver-Garcia
(74) *Attorney, Agent, or Firm* — Keala Chan; Chan Hubbard PLLC

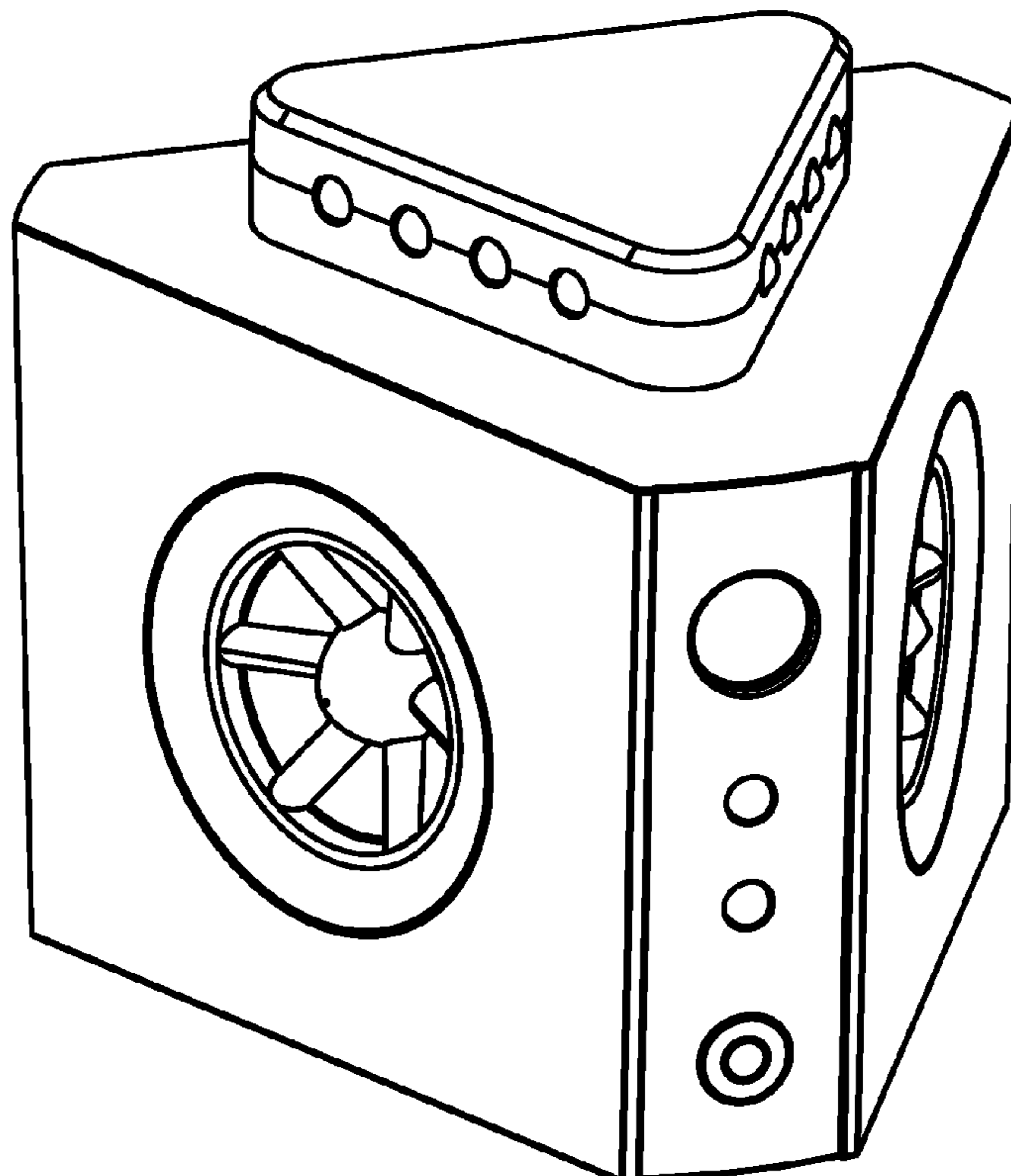
(57) **CLAIM**

I claim the ornamental design for a rodent repellent, as shown and described.

DESCRIPTION

FIG. 1 is an upper front perspective view of our new design; FIG. 2 is an upper rear perspective view thereof; FIG. 3 is a top plan view thereof; FIG. 4 is a front elevational view thereof; FIG. 5 is a left elevational view thereof; FIG. 6 is a right elevational view thereof; FIG. 7 is a rear elevational view thereof; and, FIG. 8 is a bottom plan view thereof. The broken lines are for the purpose of illustrating portions of the article and form no part of the claimed design.

1 Claim, 8 Drawing Sheets



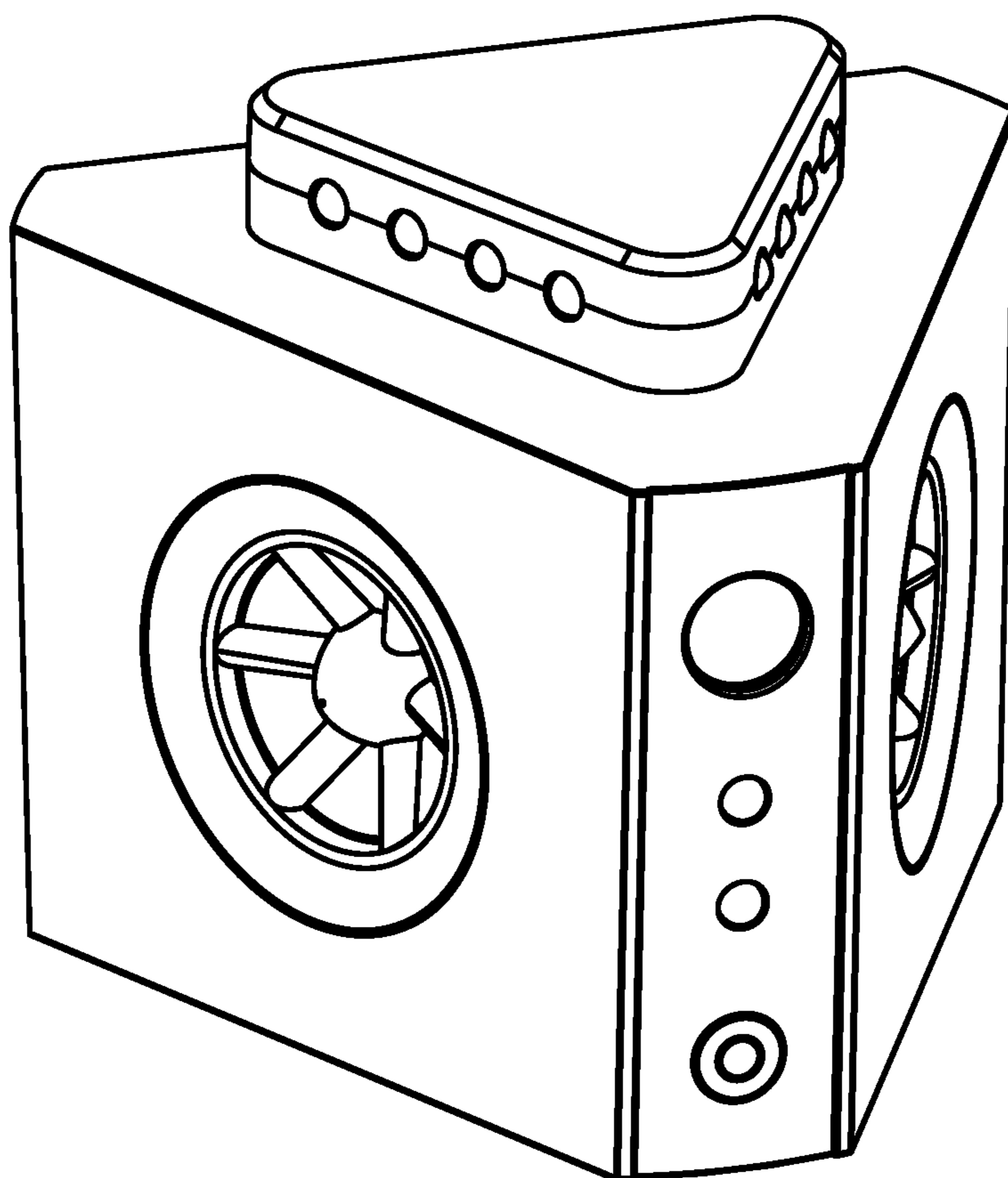


FIG. 1

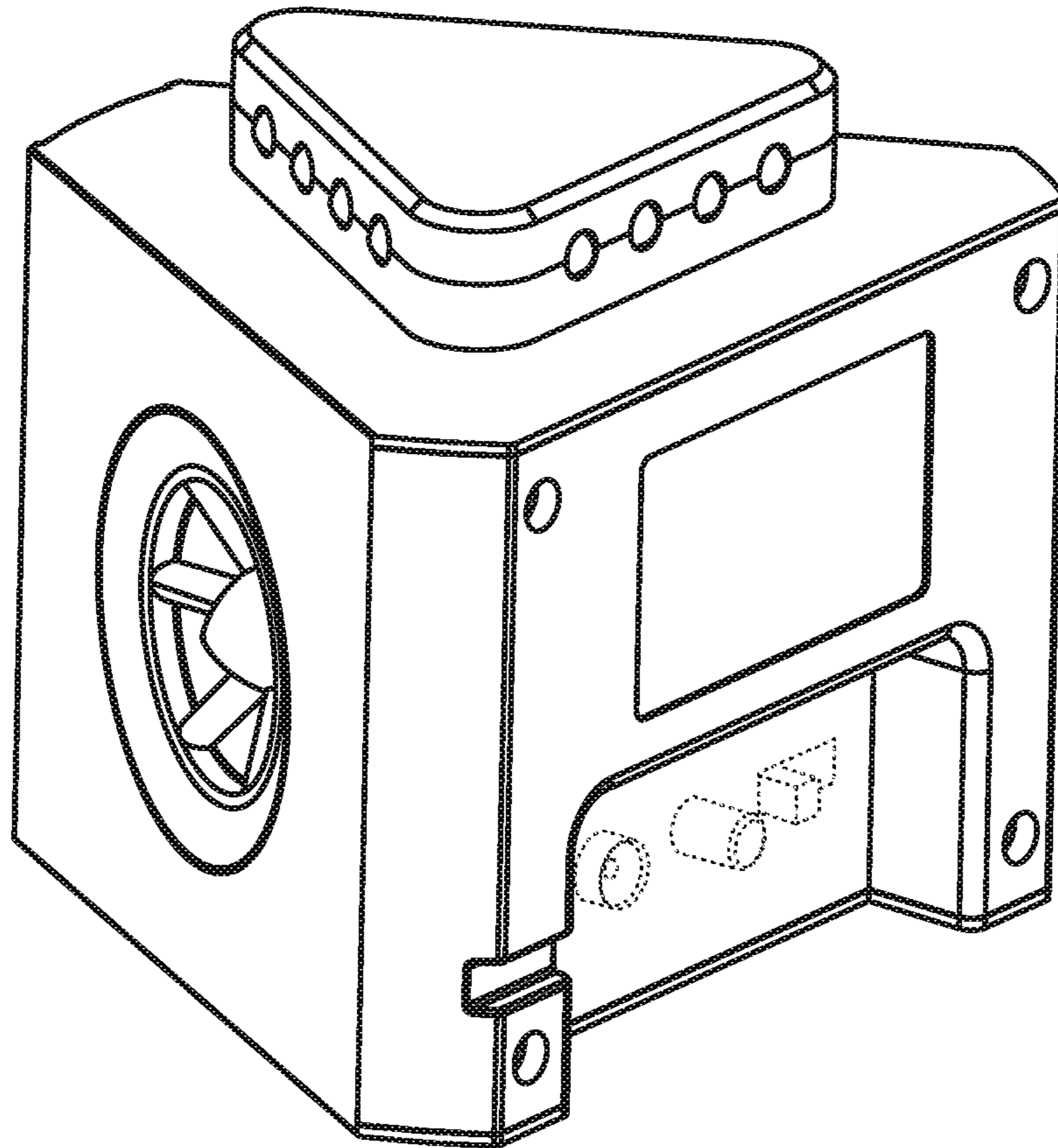


FIG. 2

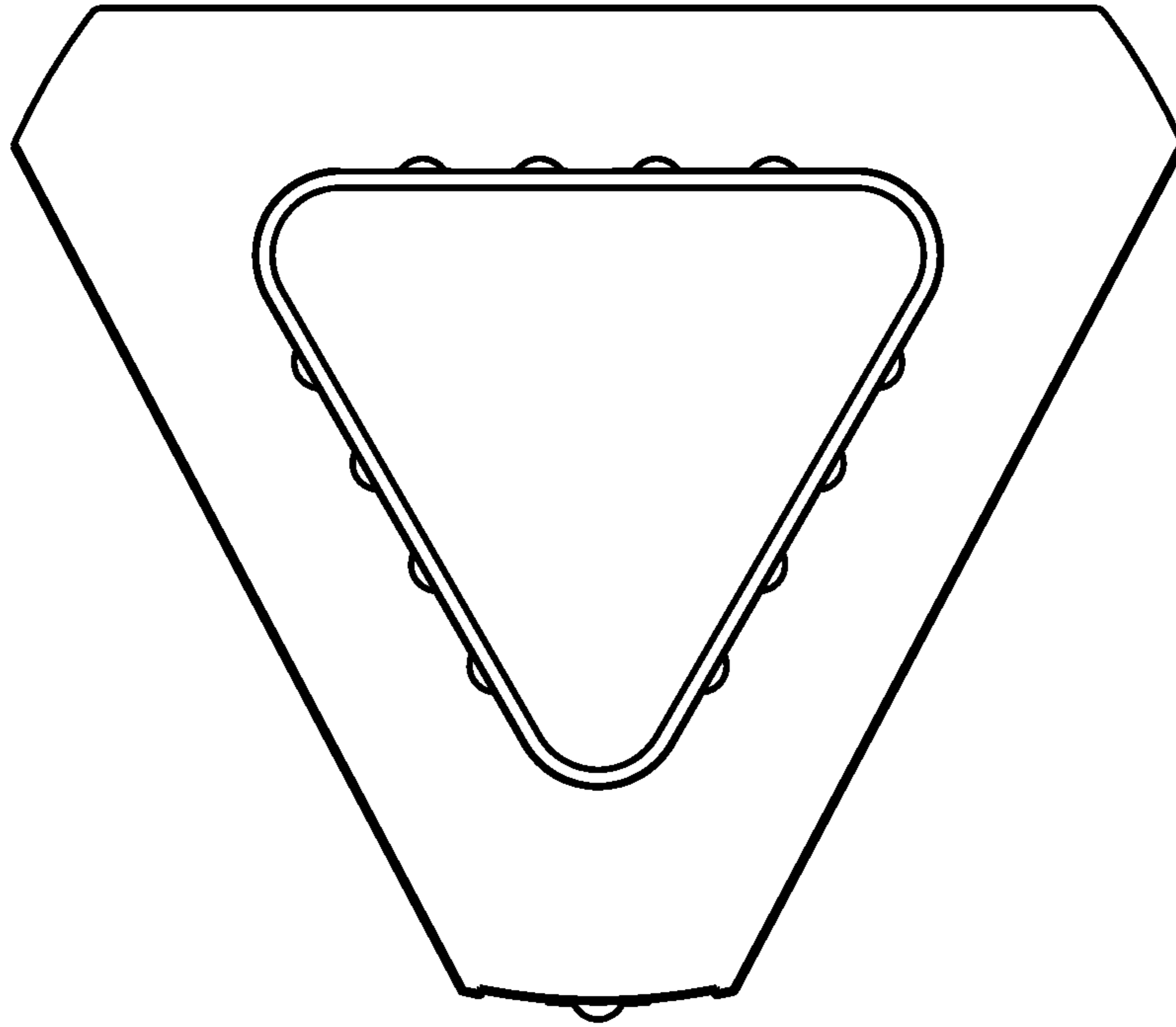


FIG. 3

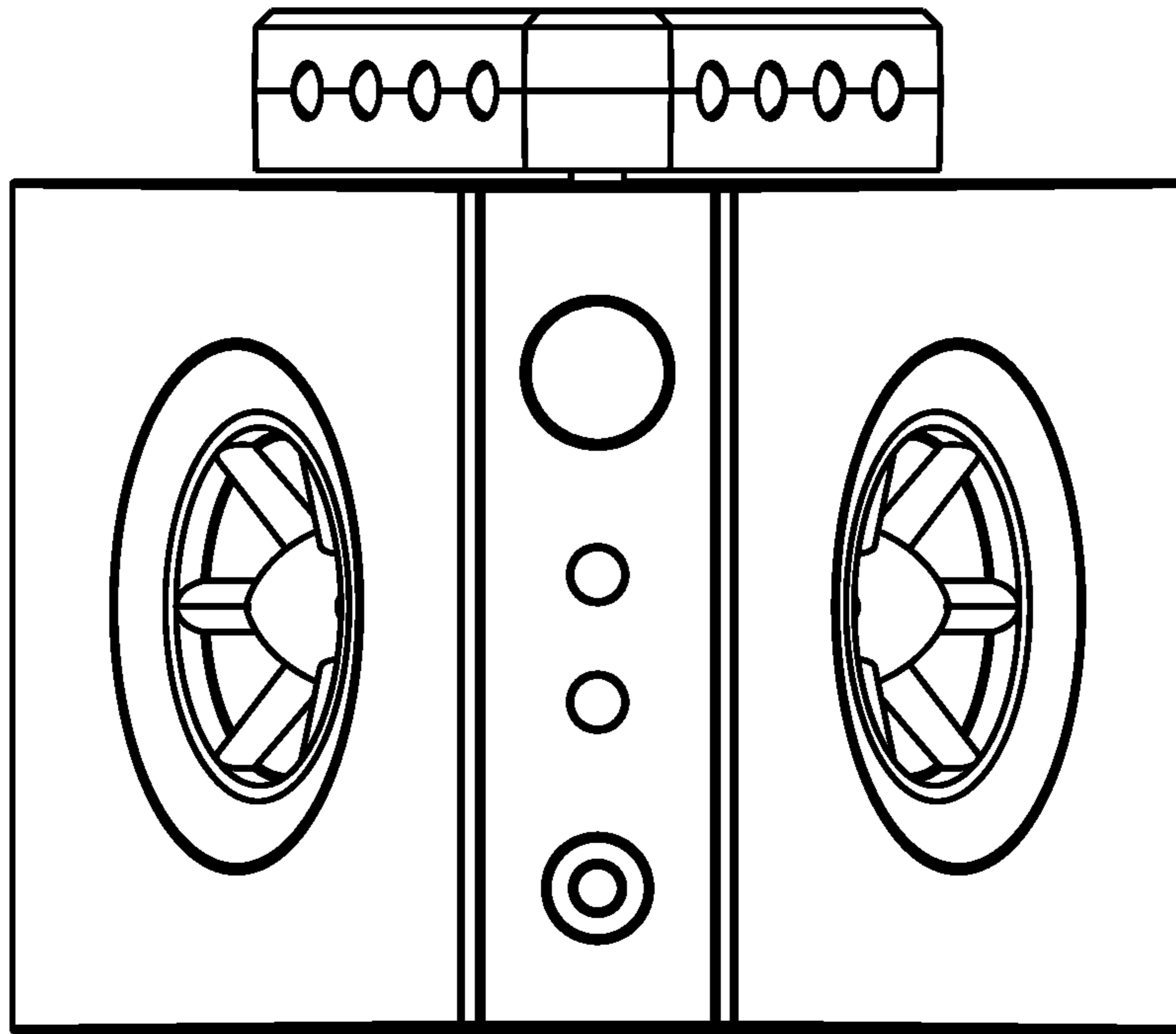


FIG. 4

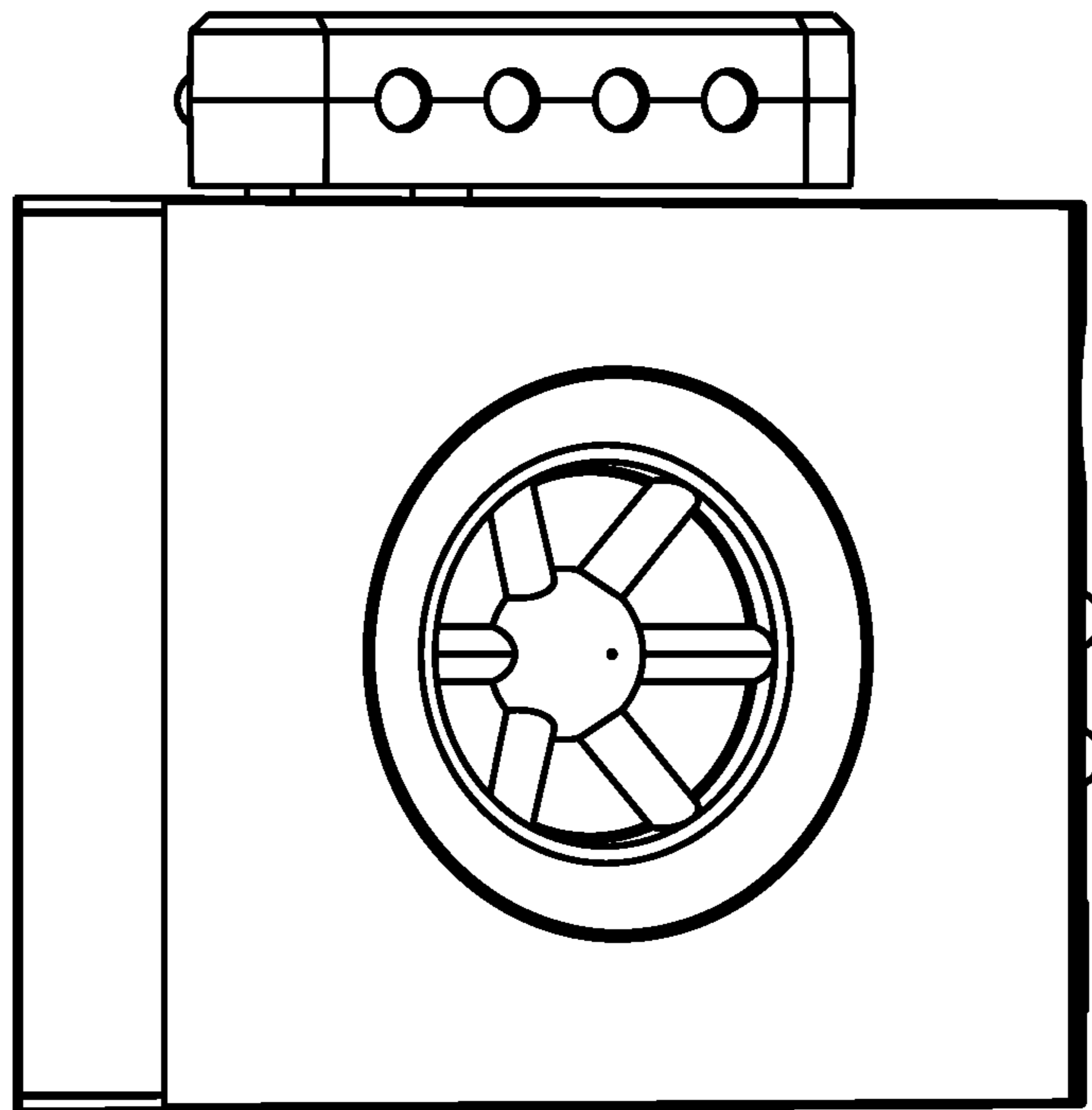


FIG. 5

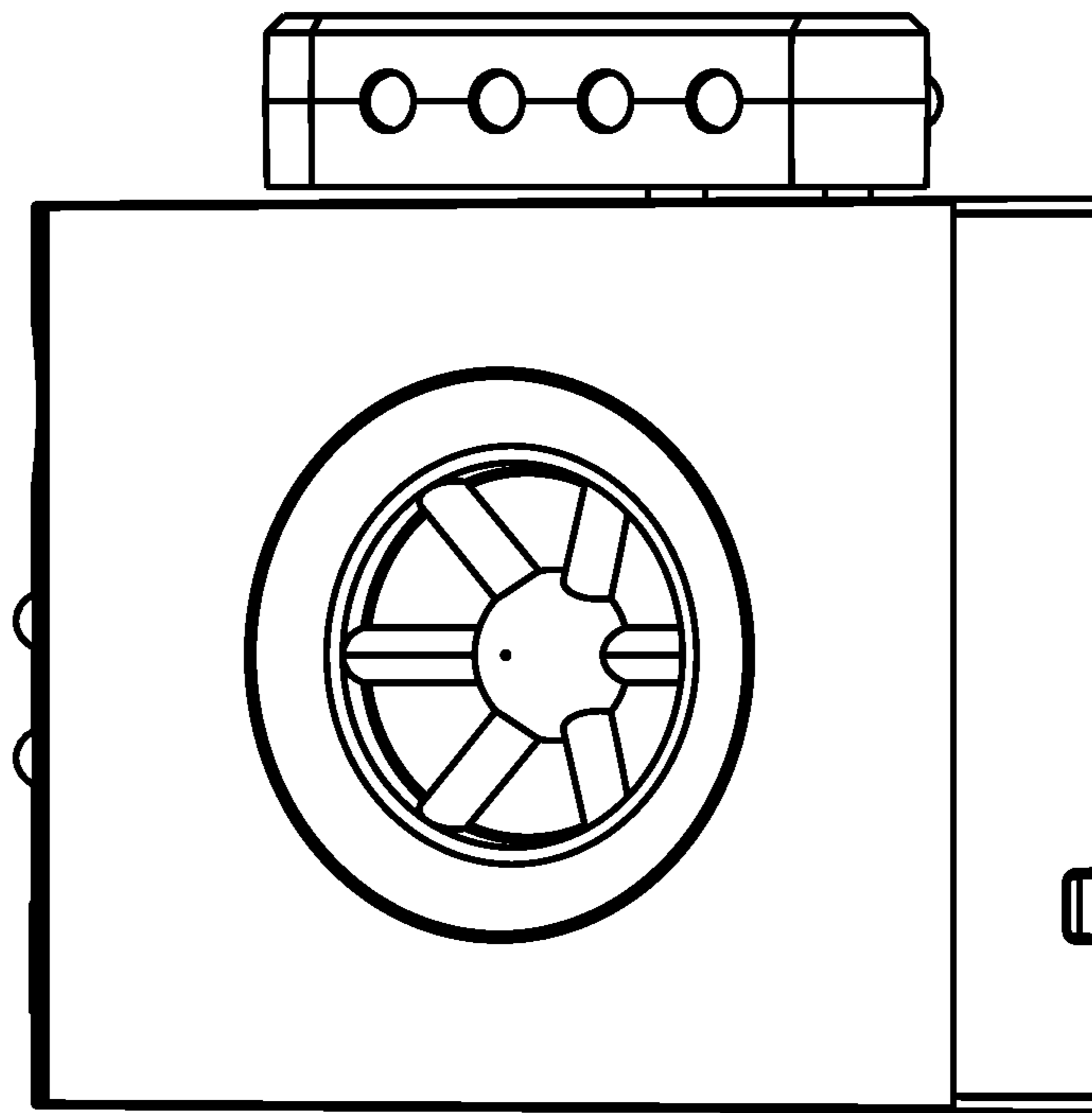


FIG. 6

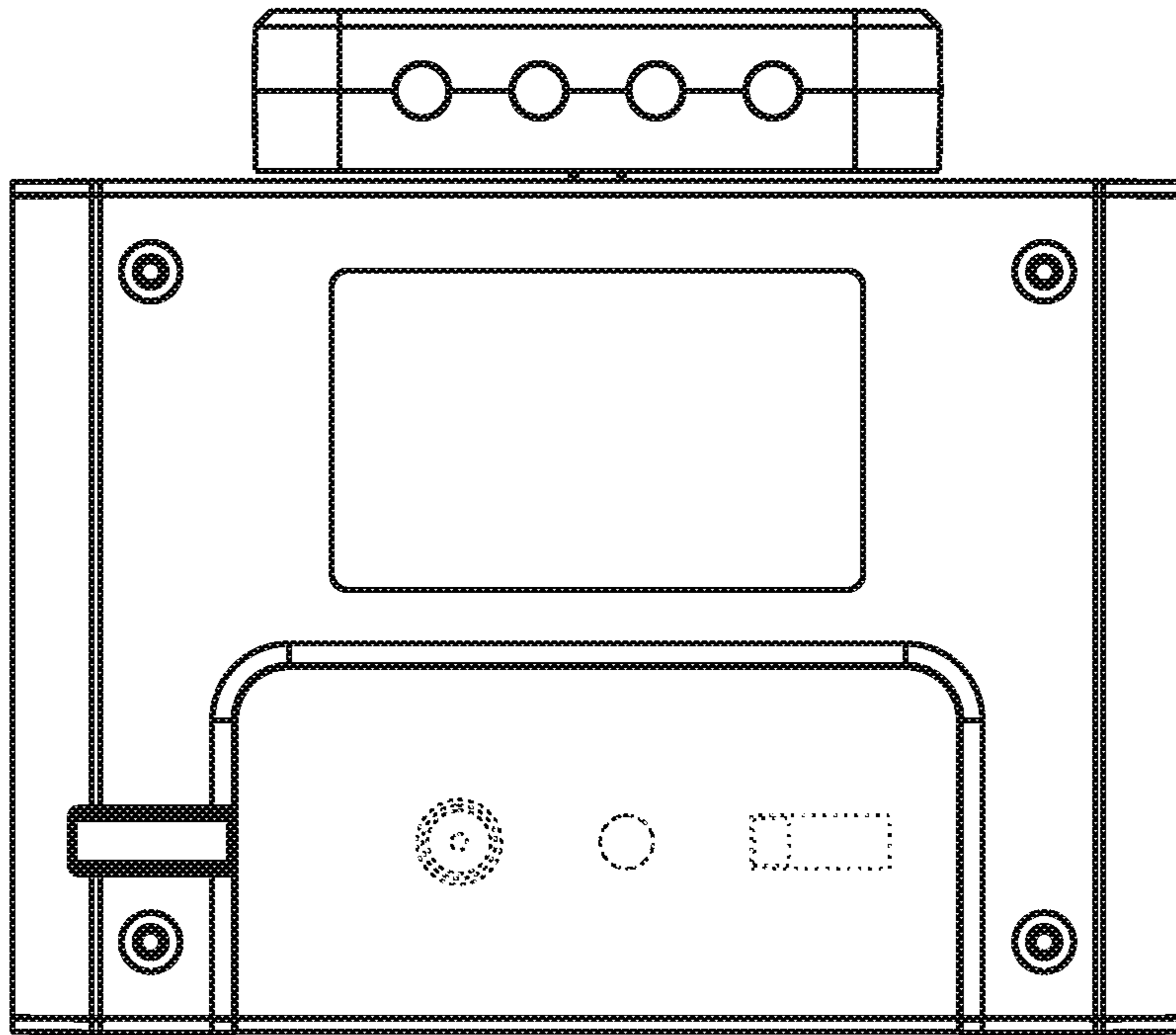


FIG. 7

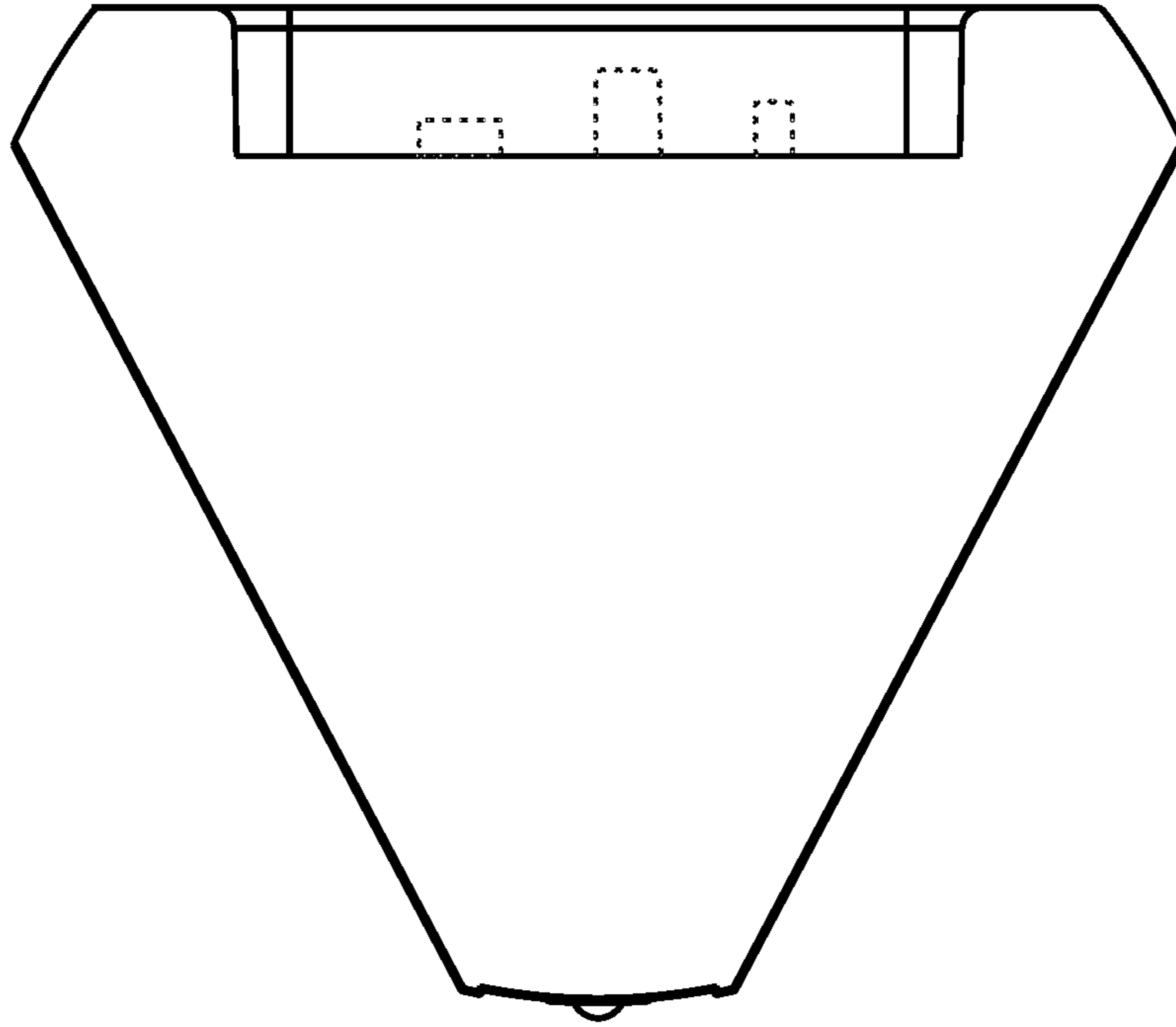


FIG. 8