



US00D919740S

(12) **United States Design Patent**
Wang

(10) **Patent No.:** **US D919,740 S**

(45) **Date of Patent:** **** May 18, 2021**

(54) **MAGNETIC PISTOL MOUNT**

(71) Applicant: **Yixia Wang**, Shenzhen (CN)

(72) Inventor: **Yixia Wang**, Shenzhen (CN)

(**) Term: **15 Years**

(21) Appl. No.: **29/737,349**

(22) Filed: **Jun. 8, 2020**

(51) **LOC (13) Cl.** **22-01**

(52) **U.S. Cl.**

USPC **D22/110**

(58) **Field of Classification Search**

USPC D22/110; D6/368, 552; D8/349, 353,
D8/354, 373, 382; D14/258

CPC A47B 81/005; A47B 95/00; A47C 7/004;
B65D 85/00; B65D 85/48; B65D 81/056;
B65D 2581/053; B65D 81/05; E04F
13/06; E04F 19/0436; E04F 19/0495;
E04H 15/32; F16B 45/00

See application file for complete search history.

(56) **References Cited**

U.S. PATENT DOCUMENTS

| | | | |
|----------------|---------|----------------|------------------------|
| D515,168 S | 2/2006 | Ruhland et al. | |
| D619,672 S | 7/2010 | Schneider | |
| D629,677 S | 12/2010 | Sochko | |
| 8,602,216 B1 * | 12/2013 | Lin | B65D 75/322 206/464 |
| D730,483 S | 5/2015 | Rein | |
| D777,841 S * | 1/2017 | Kott | D20/43 |

| | | | |
|-------------------|---------|-----------|-------------|
| D811,511 S * | 2/2018 | Jenkinson | D22/108 |
| D811,512 S * | 2/2018 | Jenkinson | D22/108 |
| D849,179 S * | 5/2019 | Staes | D22/109 |
| D882,718 S | 4/2020 | Wu | |
| 2017/0318697 A1 * | 11/2017 | Lebovitz | F16B 11/006 |
| 2018/0191930 A1 * | 7/2018 | Jeong | H05K 1/144 |
| 2020/0070030 A1 * | 3/2020 | Timm | A63B 69/36 |

* cited by examiner

Primary Examiner — Michael A. Pratt

(74) *Attorney, Agent, or Firm* — Law Offices of Steven W. Weinrieb

(57) **CLAIM**

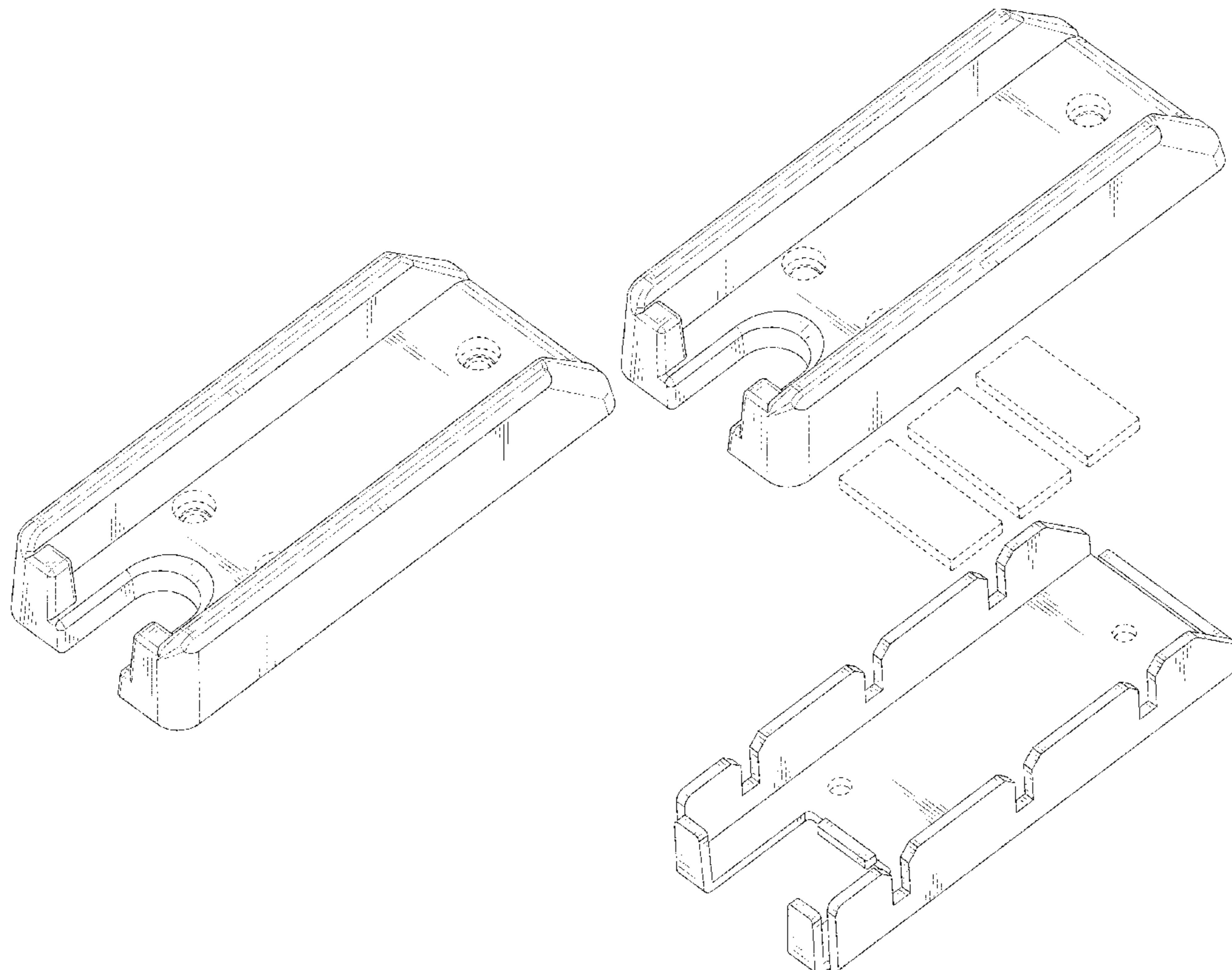
The ornamental design for a magnetic pistol mount, as shown and described.

DESCRIPTION

FIG. 1 is a front, right side, top perspective view of the magnetic pistol mount showing my new design;
 FIG. 2 is a rear, left side, bottom side bottom perspective view;
 FIG. 3 is a front elevational view thereof;
 FIG. 4 is a rear elevational view thereof;
 FIG. 5 is a right side elevational view thereof;
 FIG. 6 is a left side elevational view thereof;
 FIG. 7 is a top plan view thereof;
 FIG. 8 is a bottom plan view thereof; and,
 FIG. 9 is an exploded front, right side, top perspective view thereof.

The broken lines depict portions of the magnetic pistol mount that form no part of the claimed design.

1 Claim, 9 Drawing Sheets



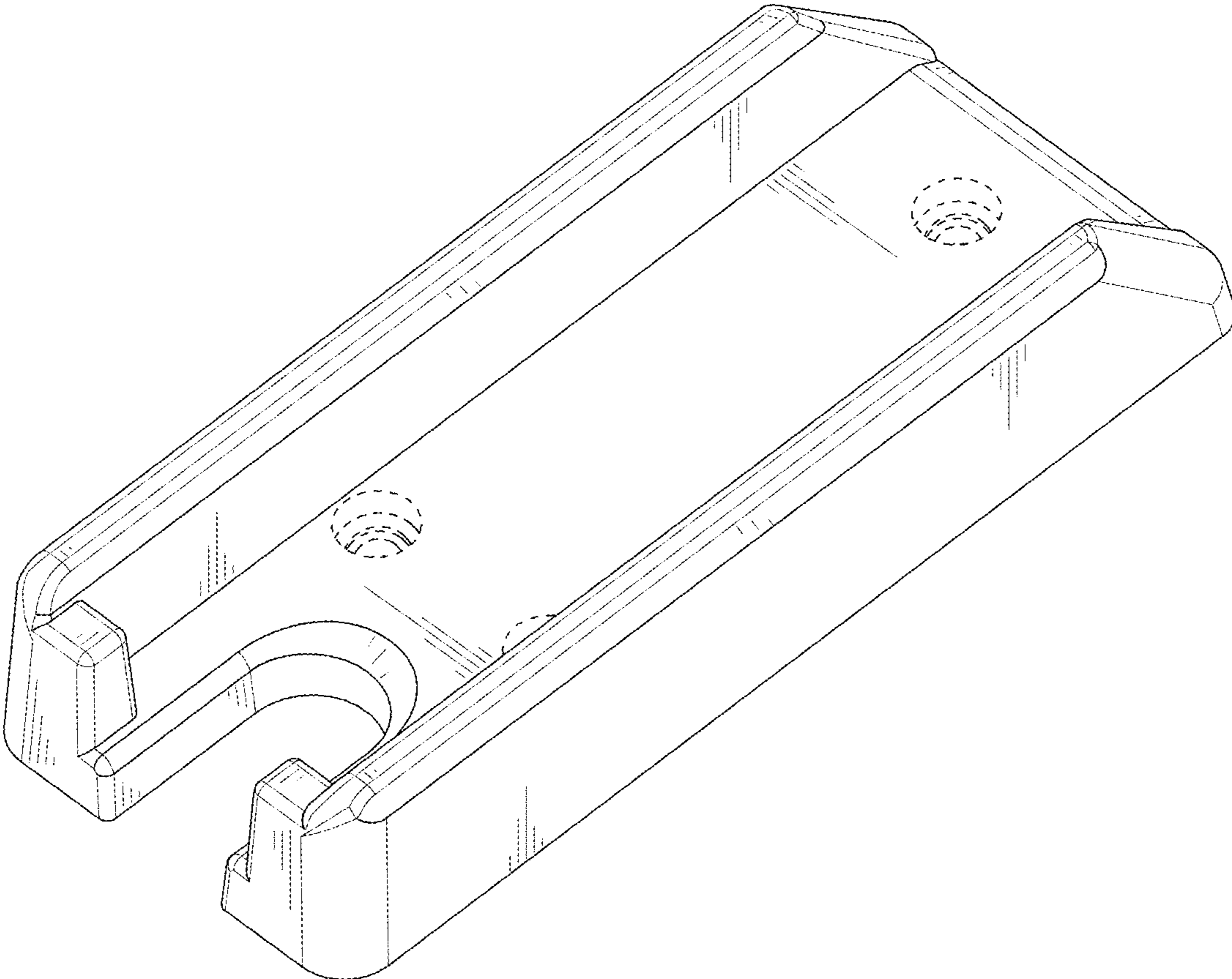


FIG. 1

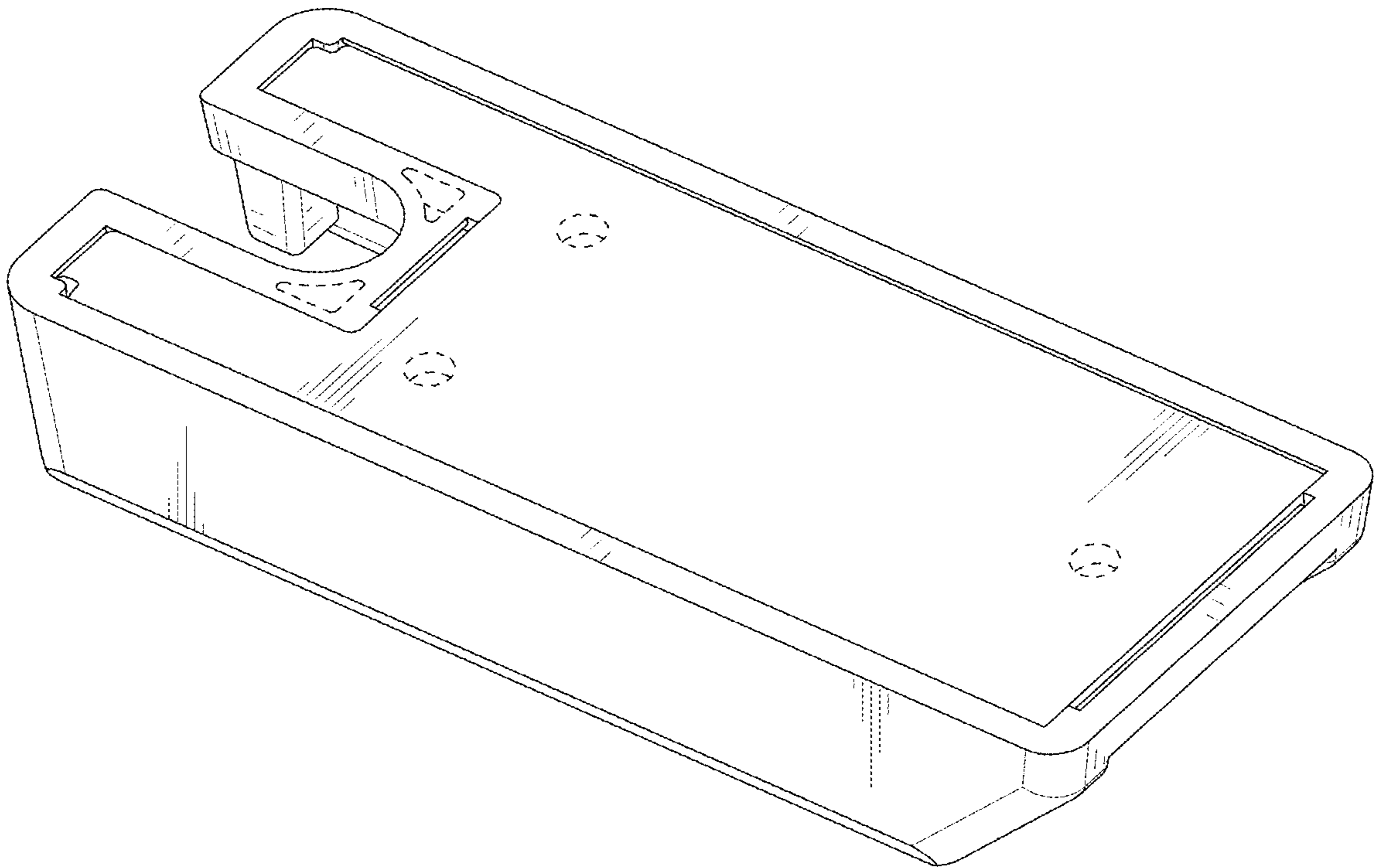


FIG. 2

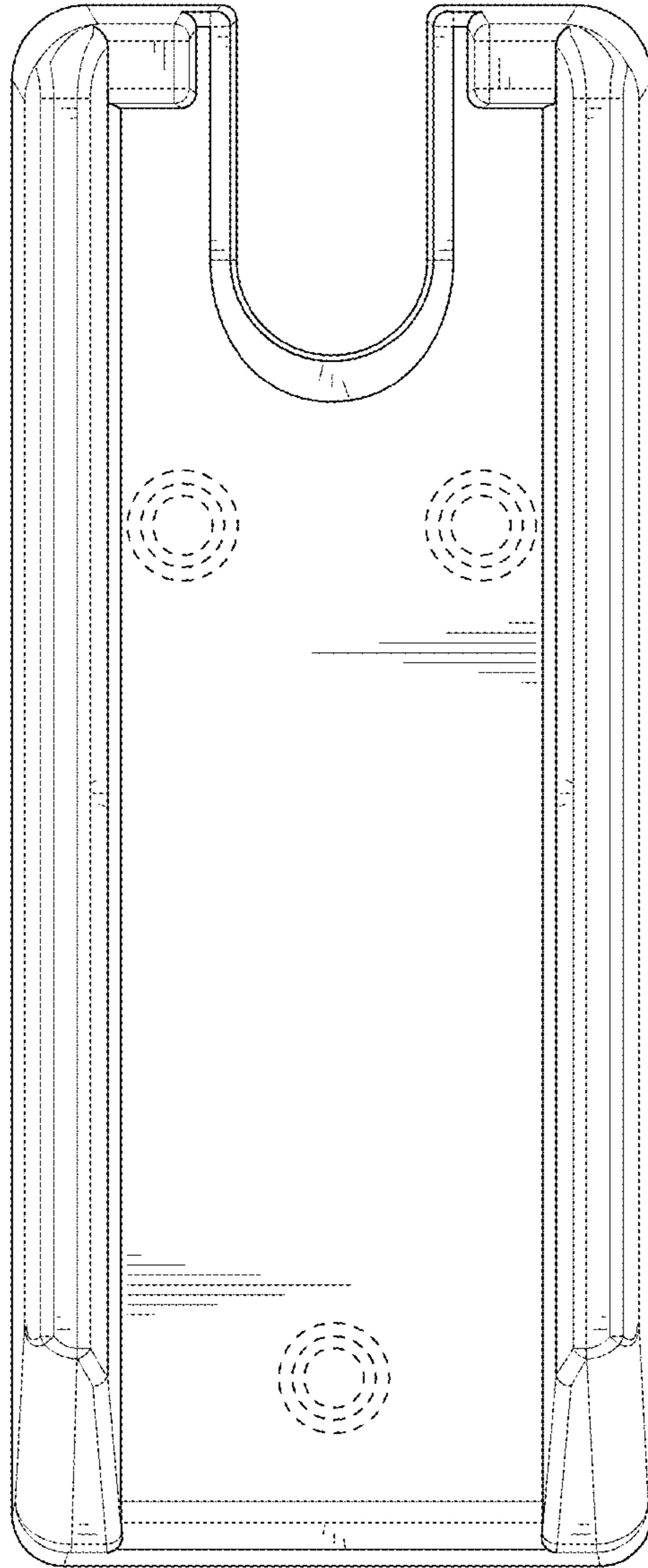


FIG. 3

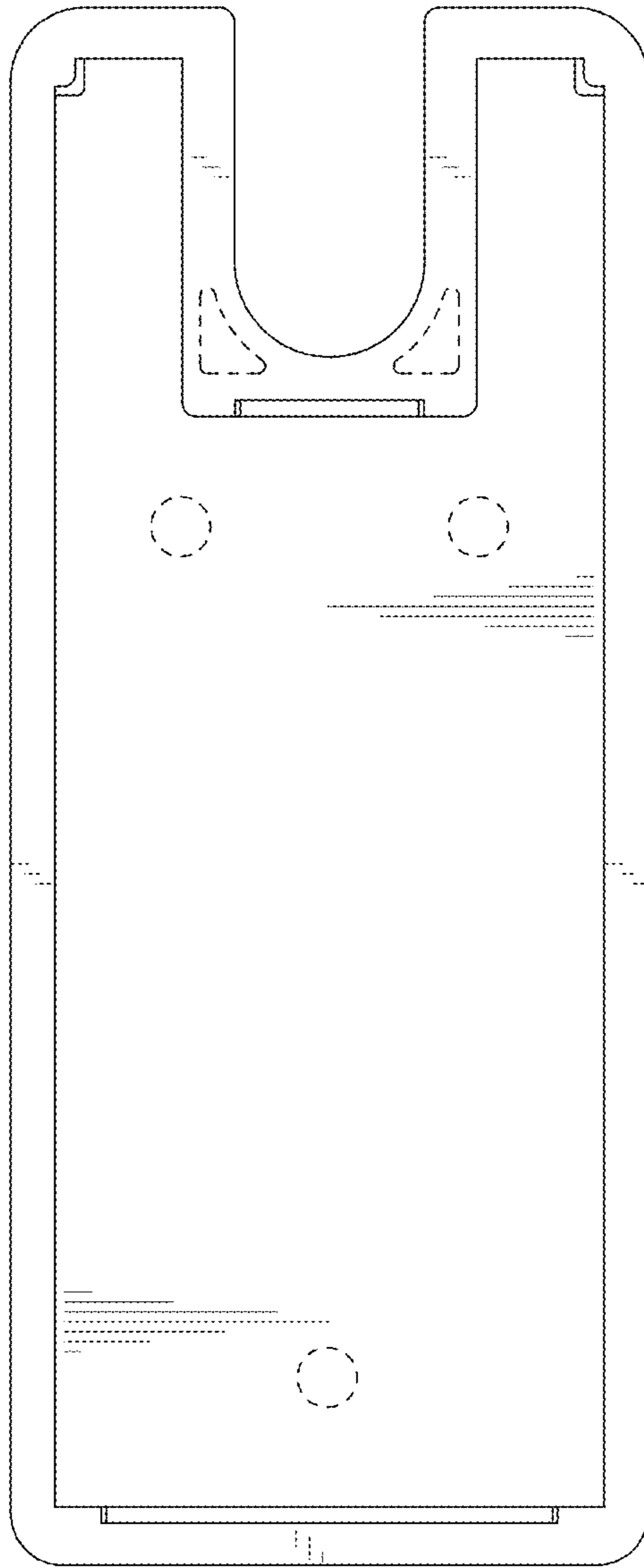


FIG. 4

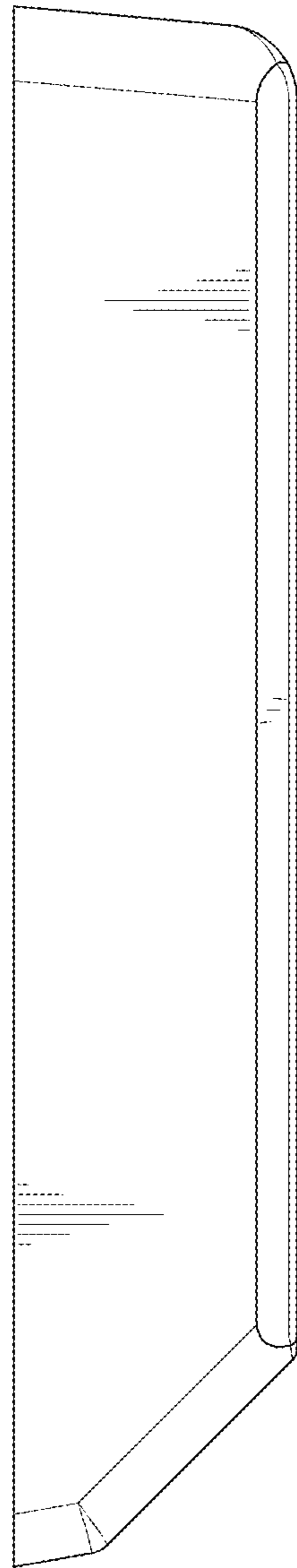


FIG. 5

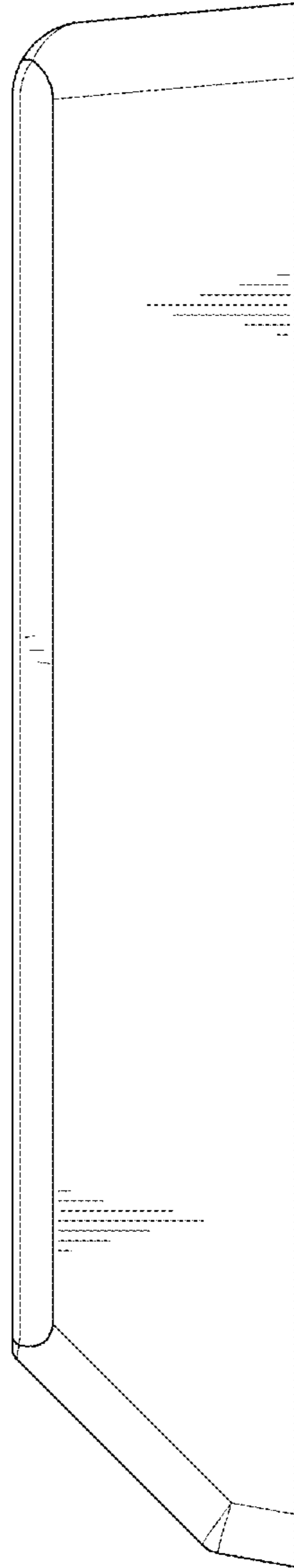


FIG. 6

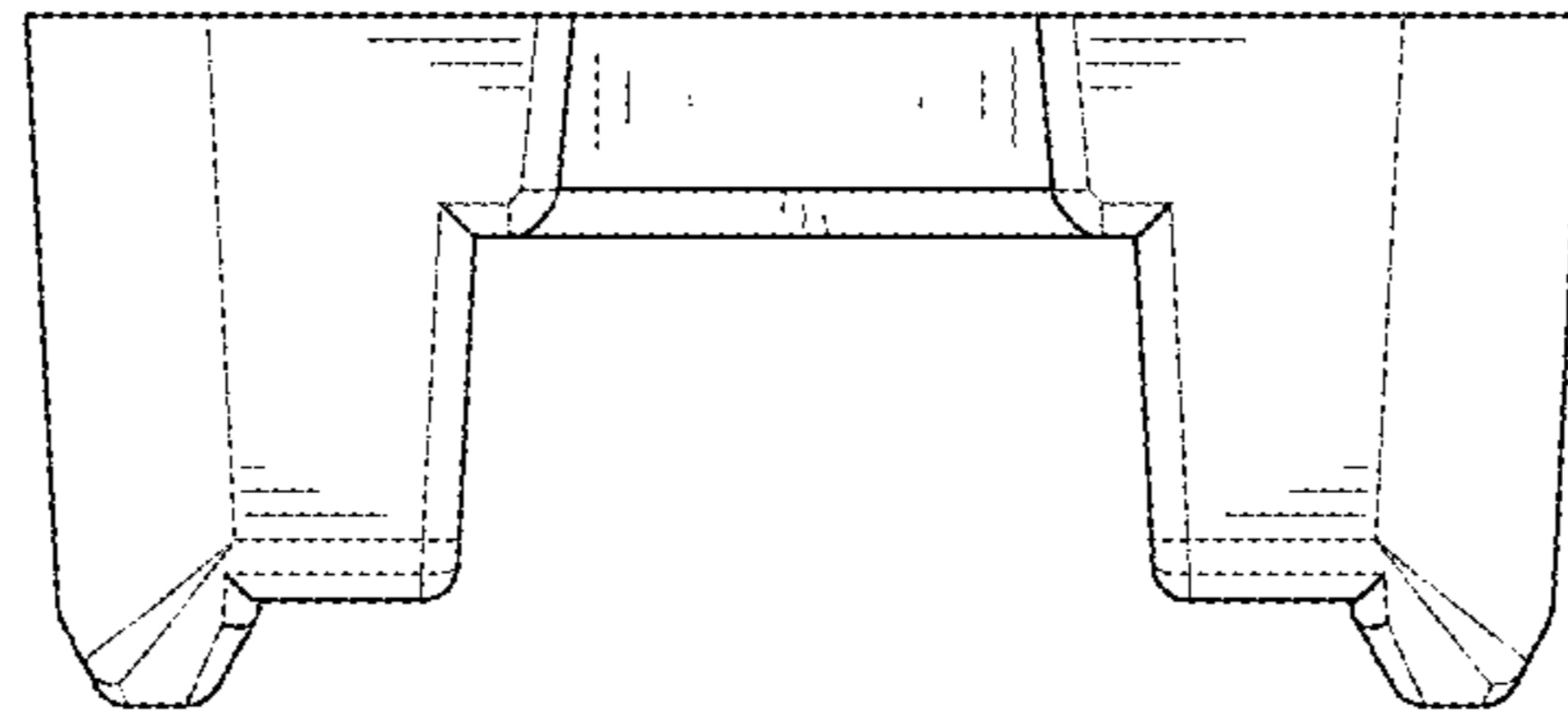


FIG. 7

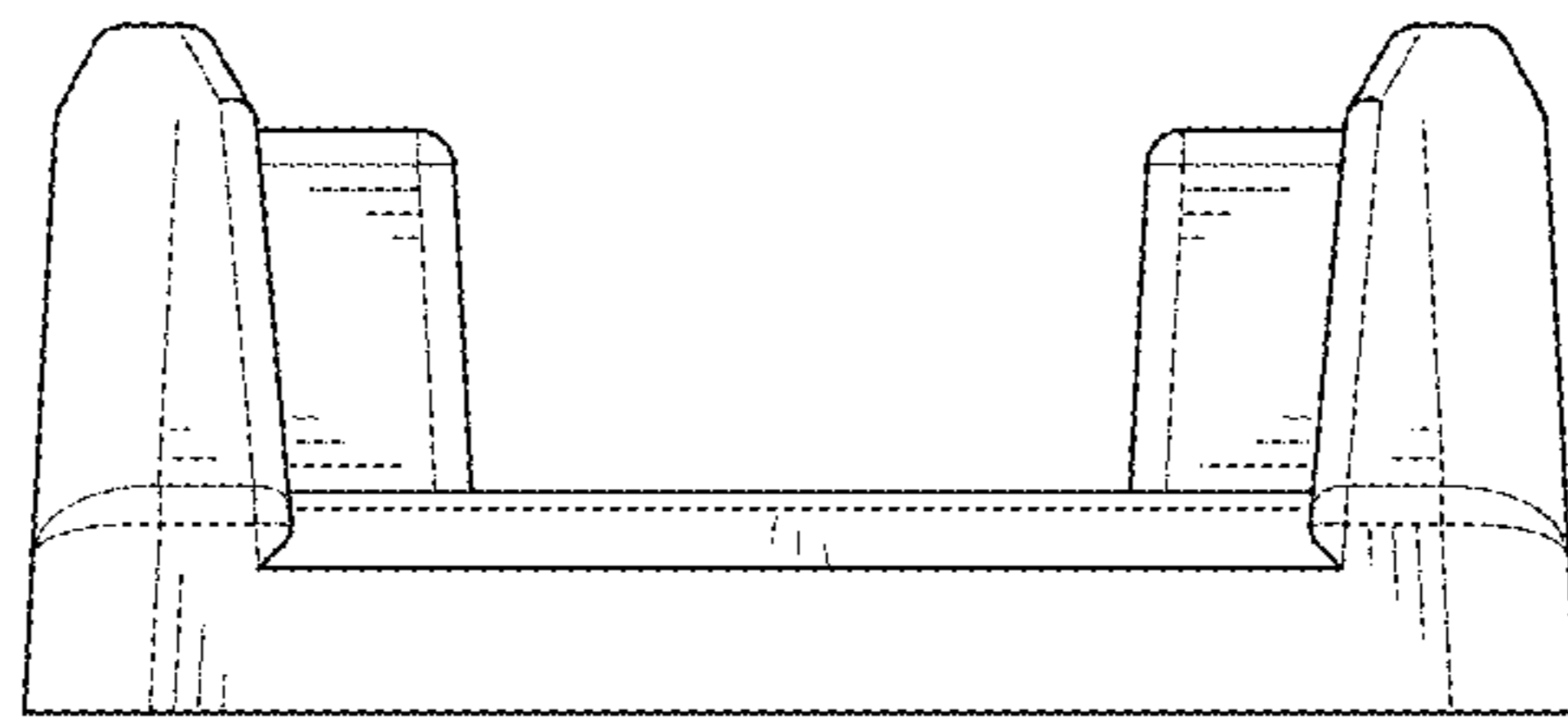


FIG. 8

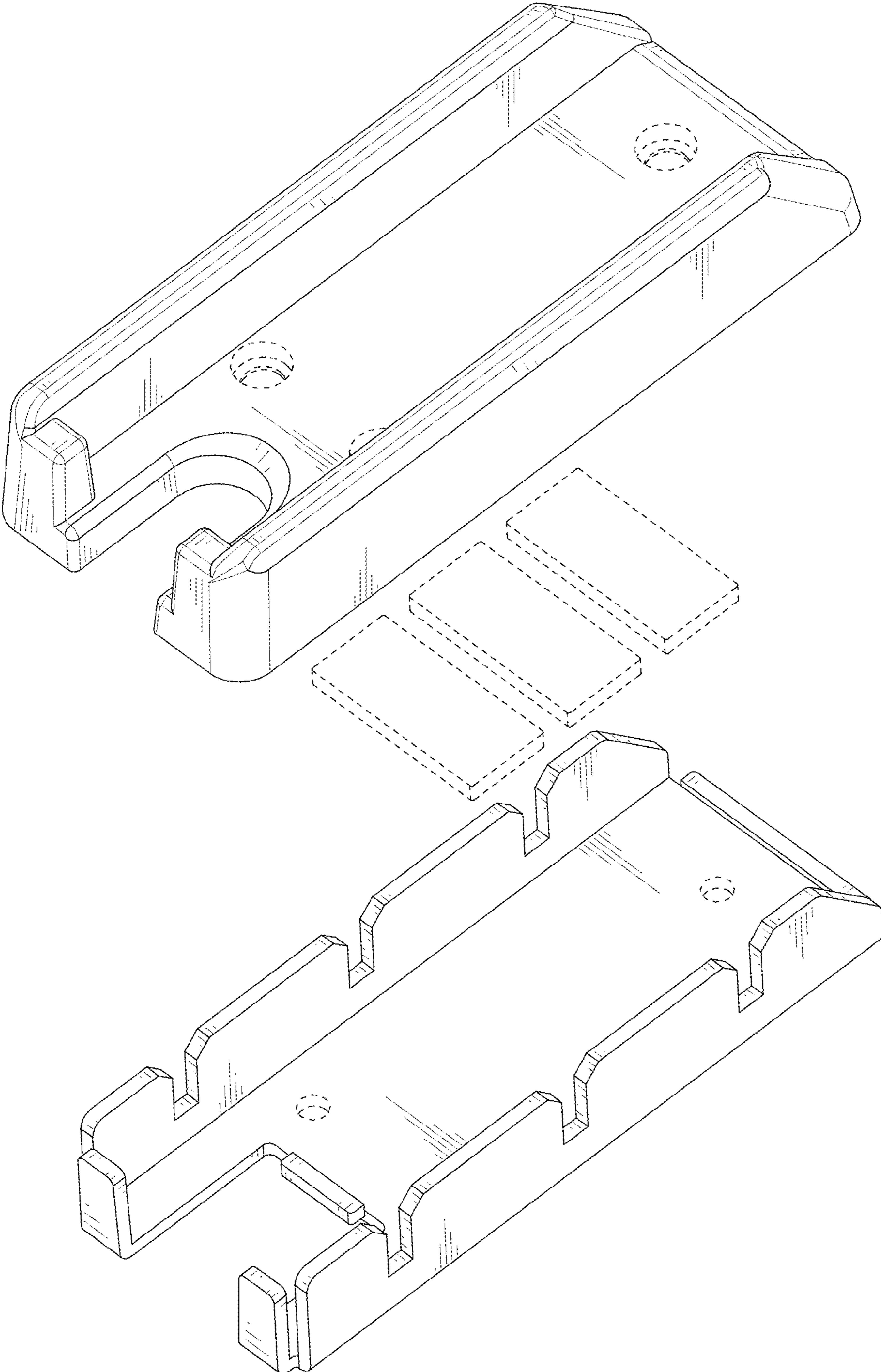


FIG. 9