



US00D919734S

(12) **United States Design Patent**
Shields

(10) **Patent No.:** **US D919,734 S**

(45) **Date of Patent:** **** May 18, 2021**

(54) **TENT**

(71) Applicant: **The Coleman Company, Inc.**, Wichita, KS (US)

(72) Inventor: **Patrick K Shields**, Grand Rapids, MI (US)

(73) Assignee: **The Coleman Company, Inc.**, Wichita, KS (US)

(**) Term: **15 Years**

(21) Appl. No.: **29/694,485**

(22) Filed: **Jun. 11, 2019**

(51) **LOC (13) Cl.** **21-04**

(52) **U.S. Cl.**
USPC **D21/837; D21/838**

(58) **Field of Classification Search**
USPC D21/834–838; D12/401, 403, 56
CPC E04H 15/00; E04H 15/003; E04H 15/18;
E04H 15/28; E04H 15/32; E04H 15/34;
E04H 15/40; E04H 15/405; E04H 15/44;
E04H 15/52; E04H 15/54; E04H 15/58;
E04H 15/64; E04H 15/642
See application file for complete search history.

(56) **References Cited**

U.S. PATENT DOCUMENTS

D205,749 S * 9/1966 Moss D21/834
D282,192 S * 1/1986 Grenier D21/838

D418,572 S * 1/2000 Ju D21/834
D438,929 S * 3/2001 Middleton D21/834
D583,746 S * 12/2008 Napieraj D12/403
D630,286 S * 1/2011 Bell D21/834
D651,678 S * 1/2012 Muggleton D21/834

* cited by examiner

Primary Examiner — Cynthia M. Chin

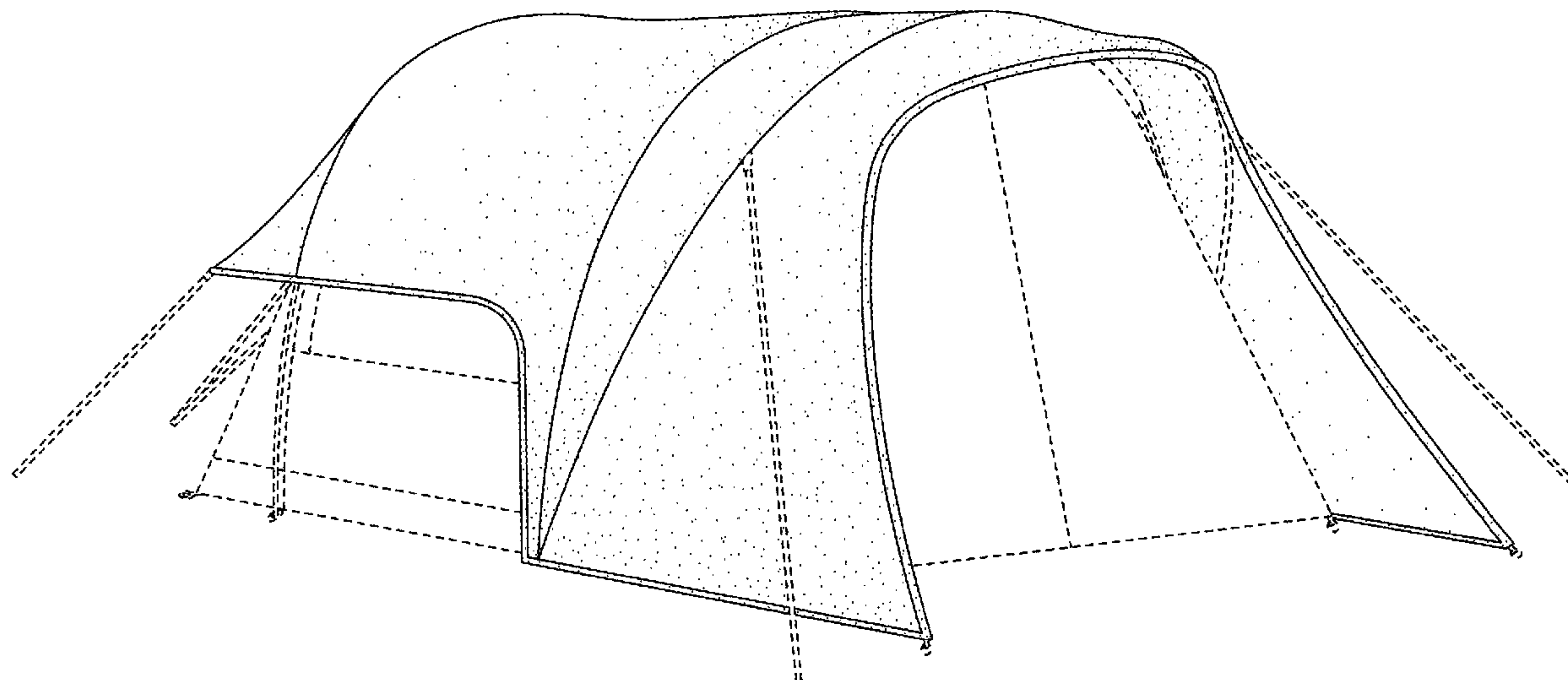
(57) **CLAIM**

The ornamental design for a tent, as shown and described.

DESCRIPTION

FIG. 1 is a front perspective view of the tent;
FIG. 2 is a back perspective view thereof;
FIG. 3 is a front view thereof;
FIG. 4 is rear view thereof;
FIG. 5 is a left side view thereof;
FIG. 6 is a right side view thereof;
FIG. 7 is a top view thereof; and,
FIG. 8 is a bottom view thereof.
The broken lines depict portions of the tent that form no part of the claimed design.

1 Claim, 8 Drawing Sheets



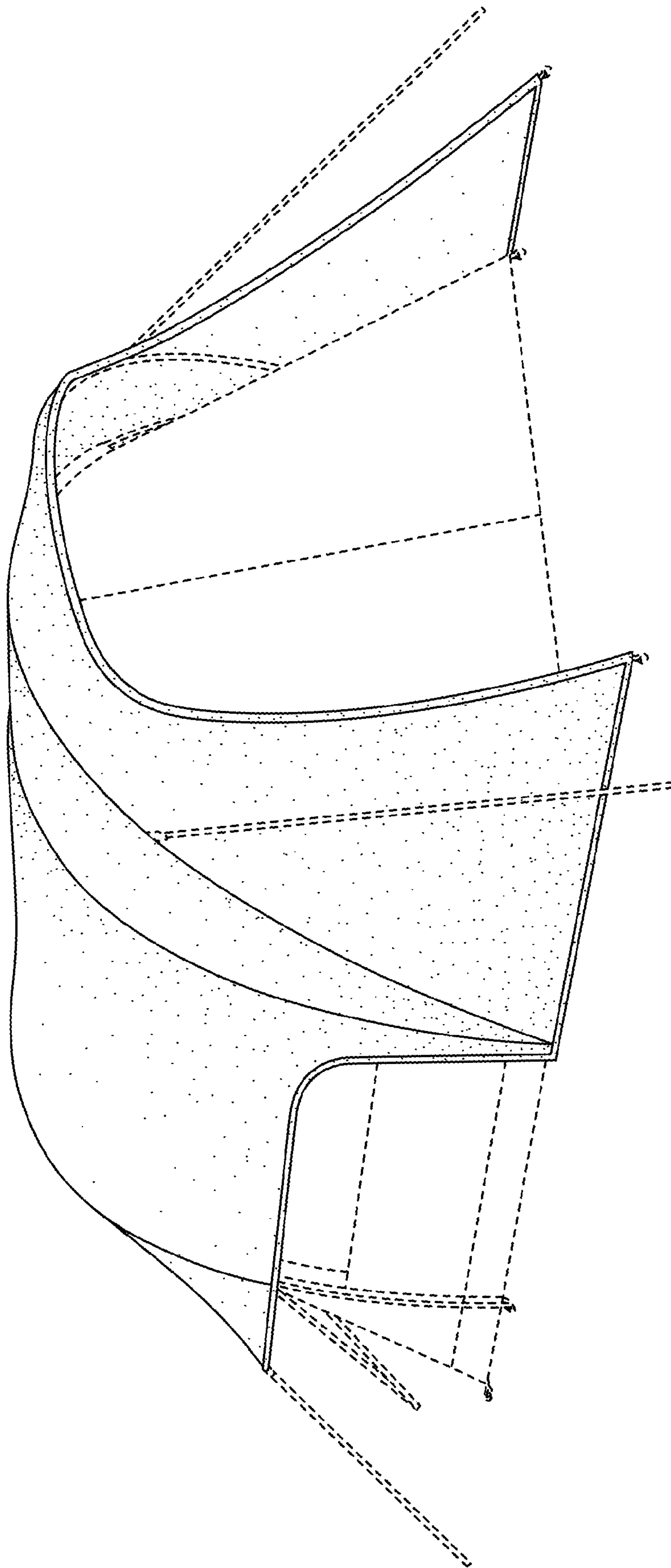


FIG. 1

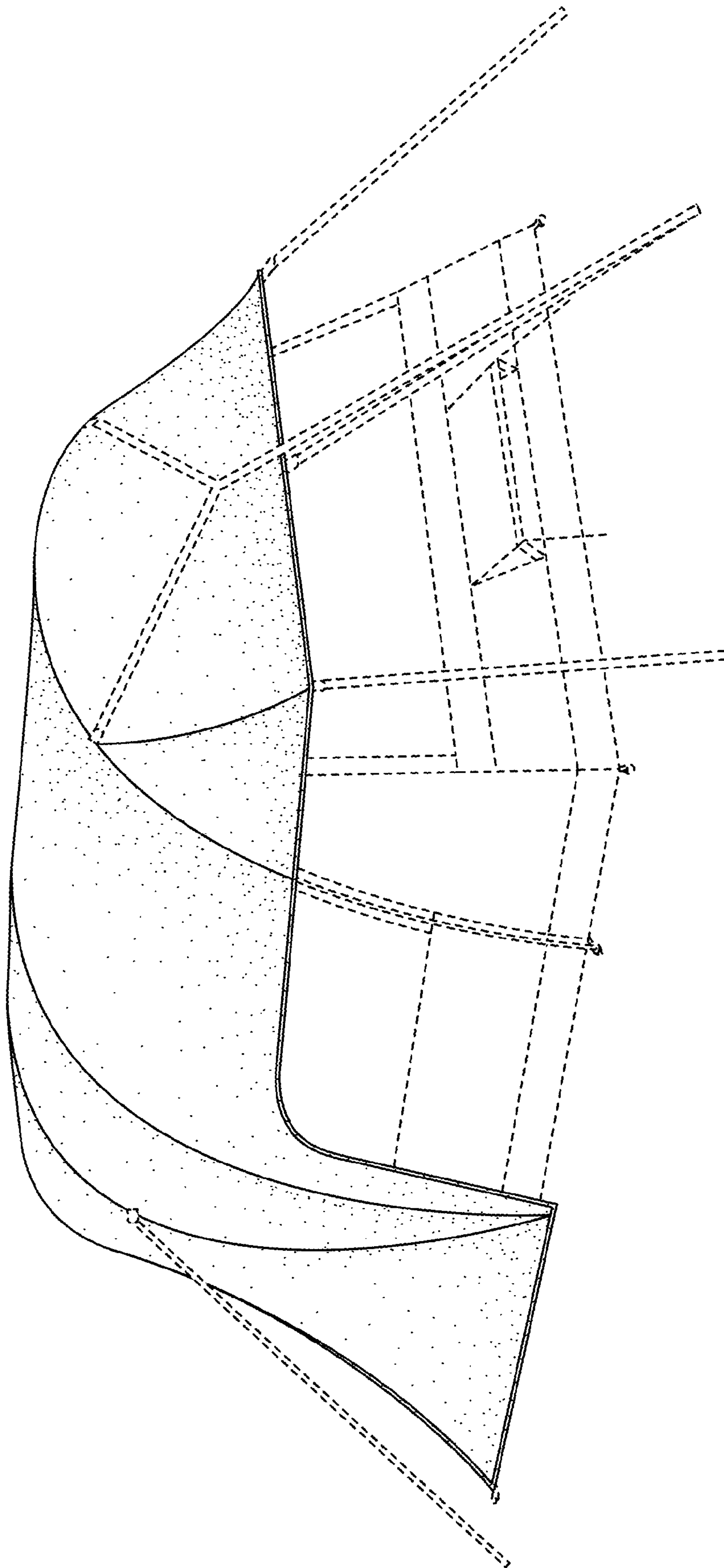


FIG. 2

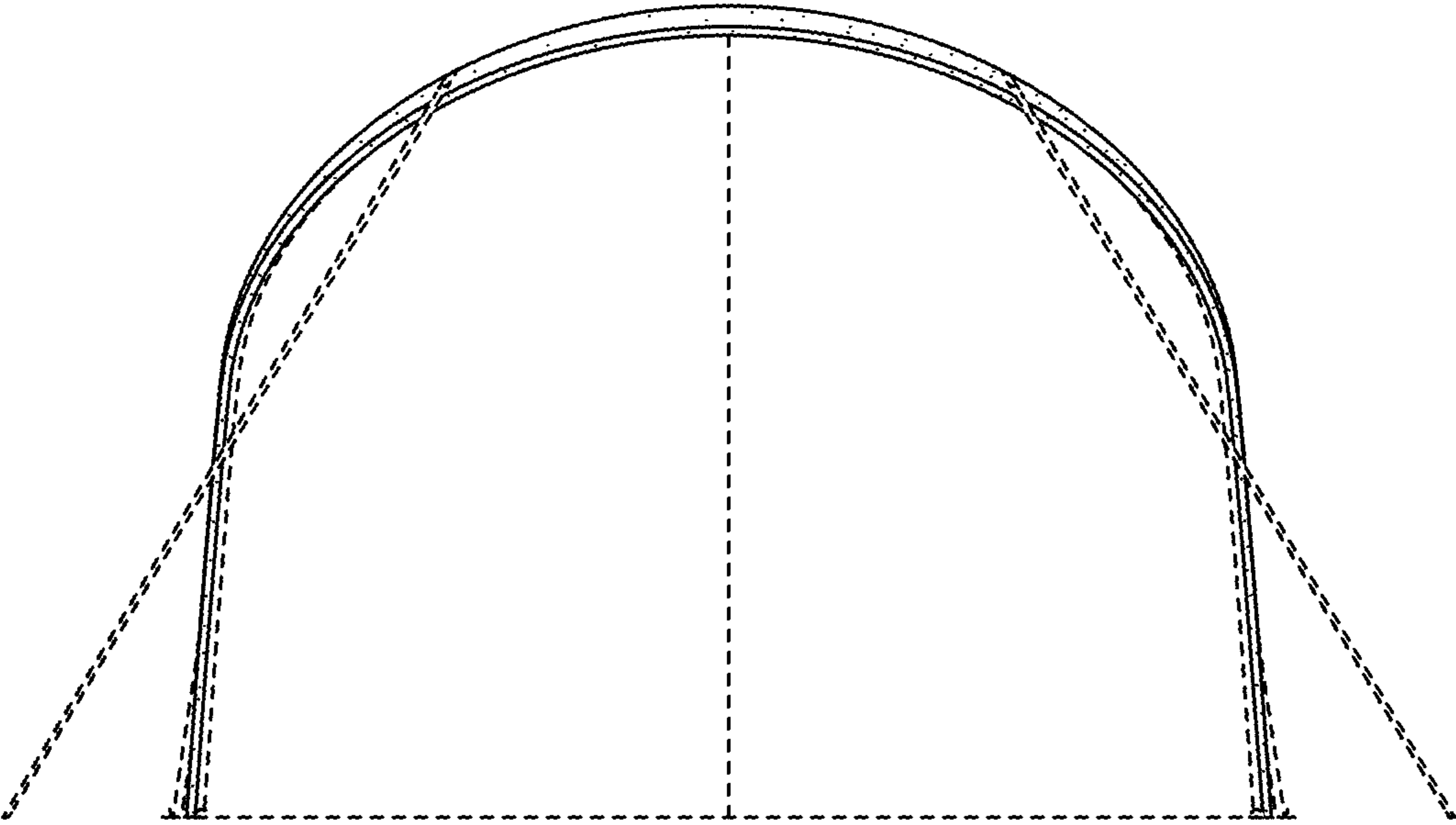


FIG. 3

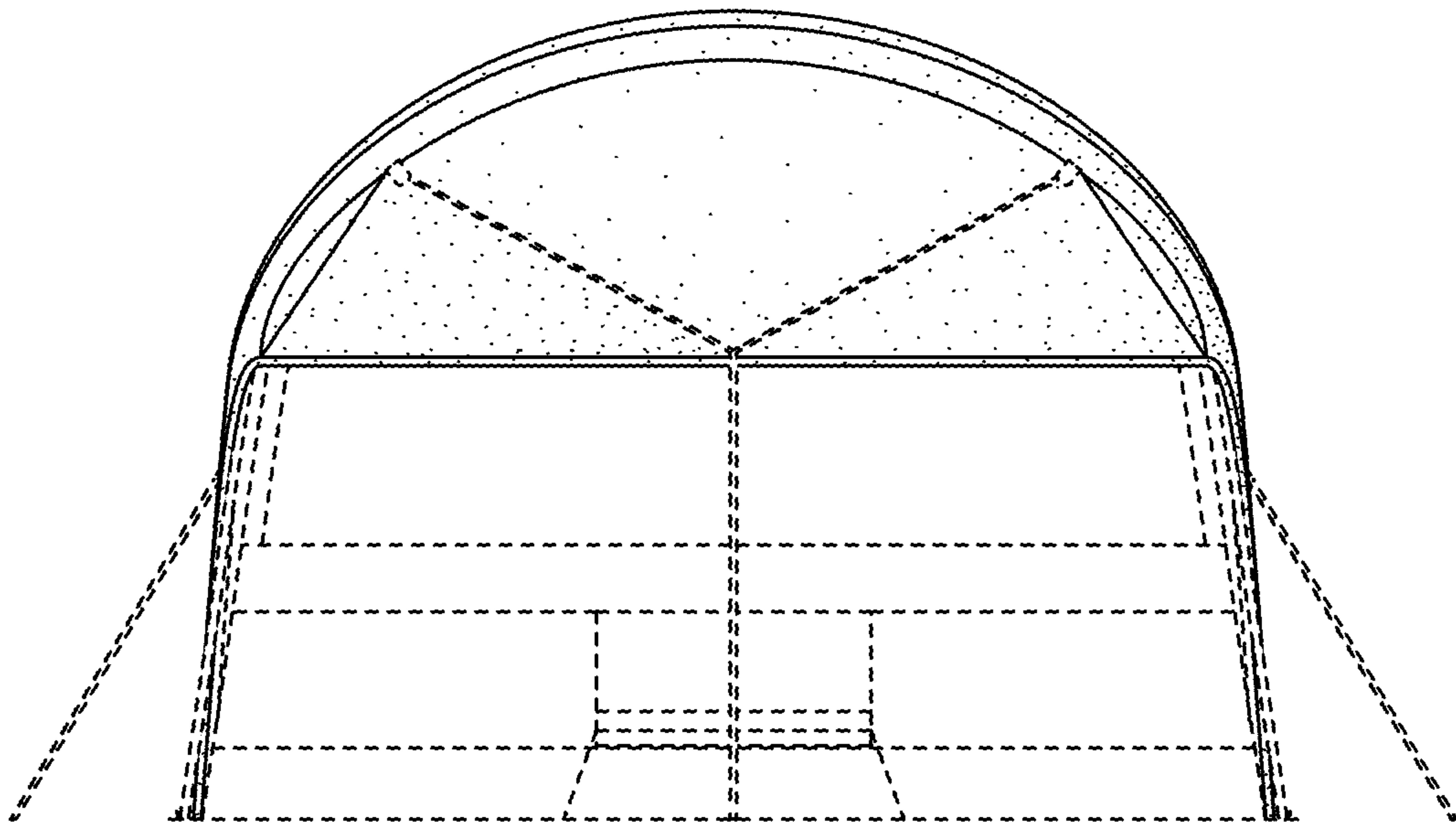


FIG. 4

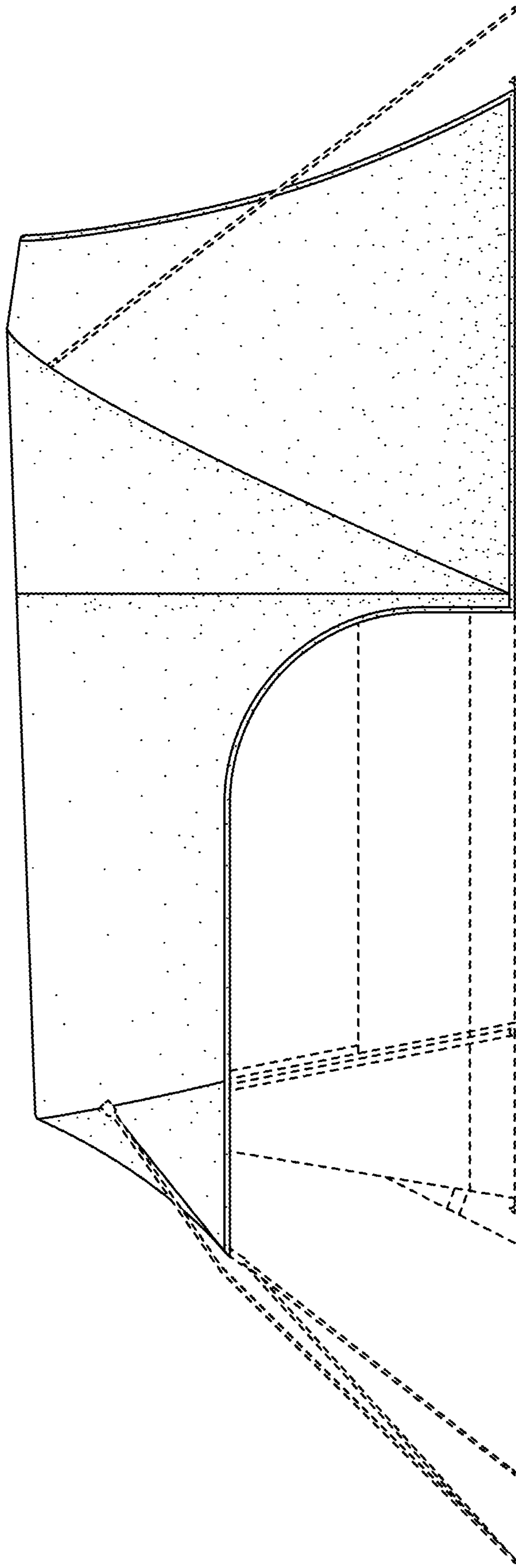


FIG. 5

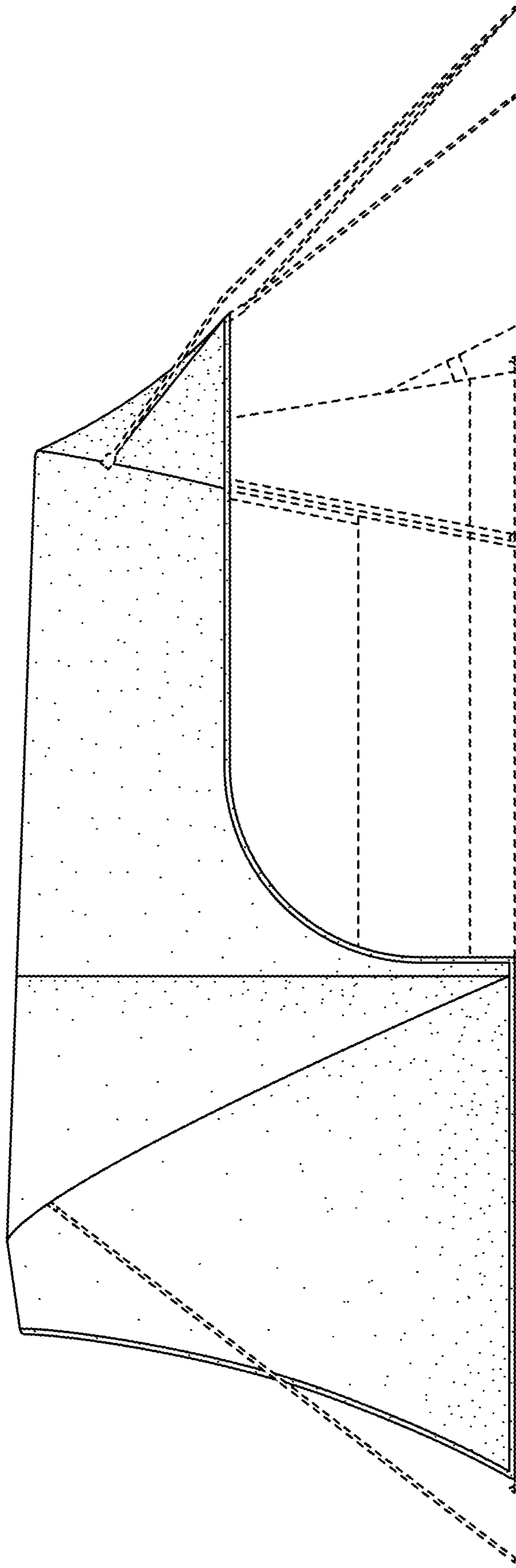


FIG. 6

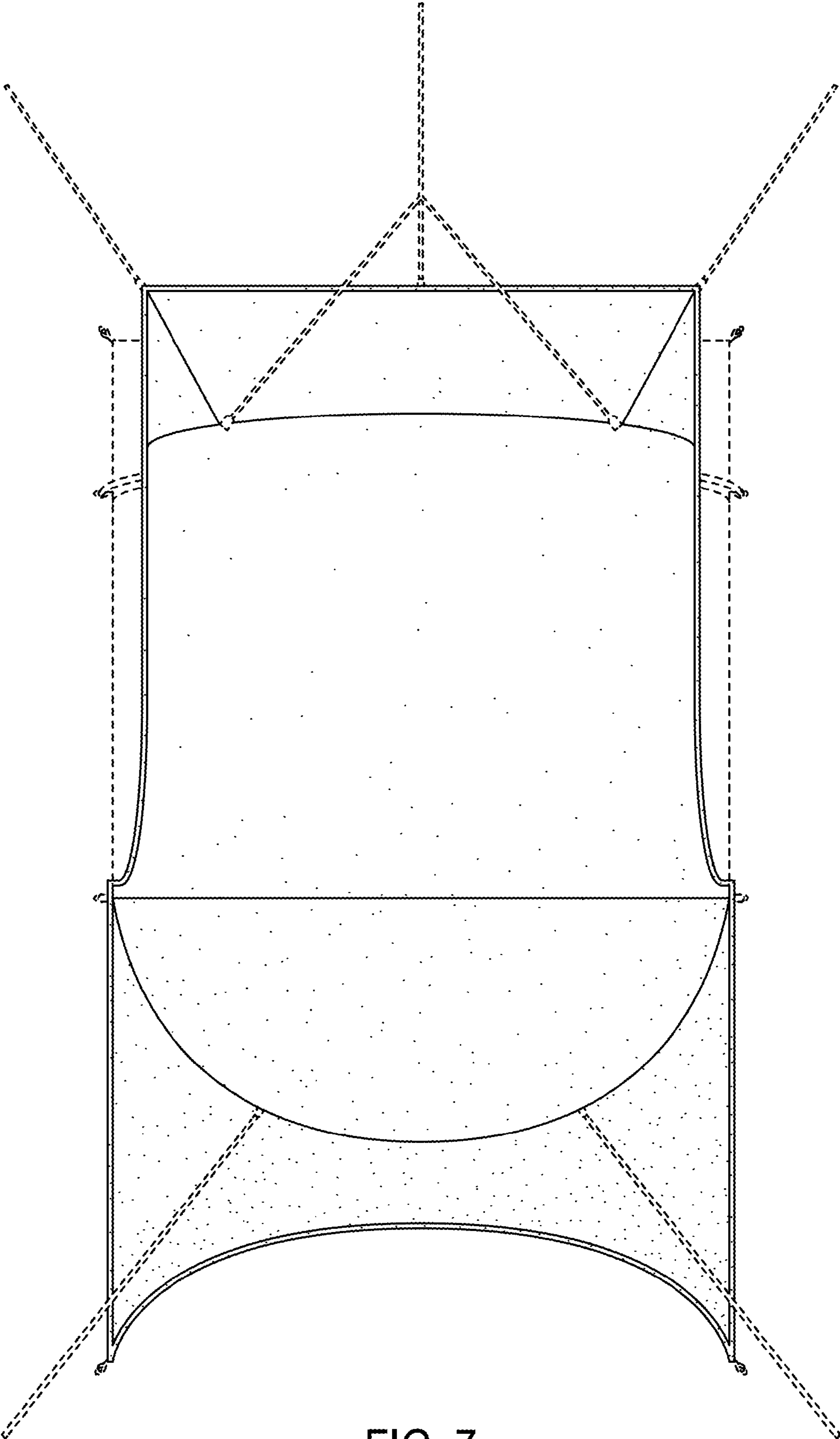


FIG. 7

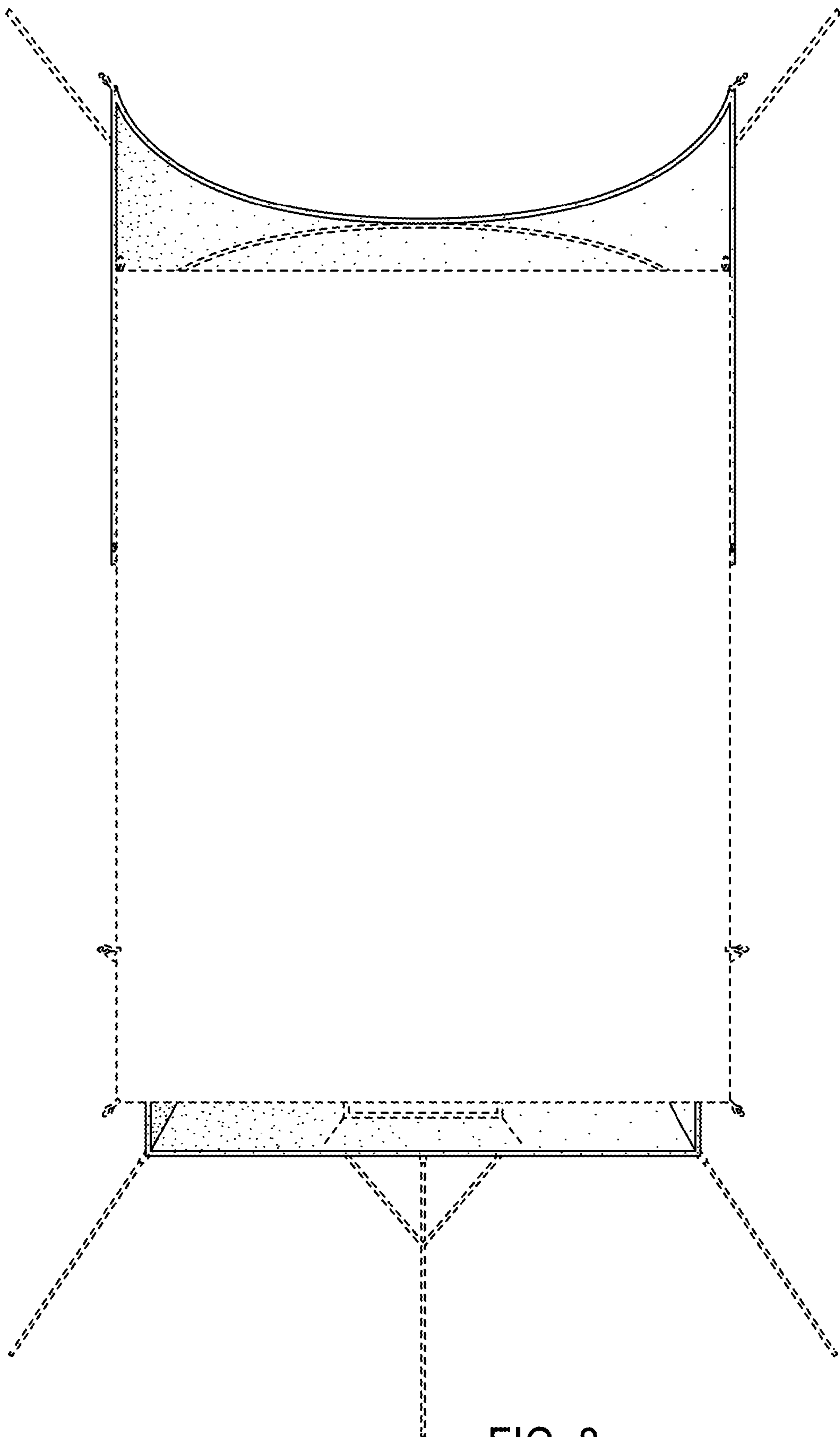


FIG. 8