



US00D919733S

(12) **United States Design Patent** (10) **Patent No.:** **US D919,733 S**
Scott (45) **Date of Patent:** **** May 18, 2021**

(54) **SPHERICAL CLIMBING PLAYGROUND APPARATUS**
(71) Applicant: **Sport Squad, Inc.**, Rockville, MD (US)
(72) Inventor: **Greg Scott**, Lewisburg, PA (US)
(73) Assignee: **Sport Squad, Inc.**, Rockville, MD (US)
(**) Term: **15 Years**
(21) Appl. No.: **29/684,991**
(22) Filed: **Mar. 25, 2019**
(51) **LOC (13) Cl.** **21-03**
(52) **U.S. Cl.**
USPC **D21/826**
(58) **Field of Classification Search**
USPC D21/811, 814, 826, 827, 831-833
CPC A63B 9/00; A63B 2009/004; A63B 2009/006; A63B 2208/12; A63B 17/00; A63B 2009/002
See application file for complete search history.

2,886,317 A * 5/1959 Overton A63B 9/00 482/36
D185,508 S * 6/1959 Overton D21/827
D186,122 S * 9/1959 Zierhut D21/827
D187,138 S * 2/1960 Highberger D21/797
D187,380 S * 3/1960 Overton D21/827
D187,381 S * 3/1960 Overton D21/827
2,929,627 A * 3/1960 Scanlon A63B 9/00 482/36
D187,655 S * 4/1960 Wormser D21/827
D187,656 S * 4/1960 Wormser D21/827
D188,201 S * 6/1960 Epstein D21/826
2,956,806 A * 10/1960 Routson A63B 9/00 482/35
2,959,413 A * 11/1960 Rosenzweig A63B 9/00 482/35
D189,396 S * 12/1960 Wormser D21/827
D189,581 S * 1/1961 Williams et al. D21/818
D191,672 S * 10/1961 Haubert D21/826
D191,749 S * 11/1961 Haubert D21/827

(Continued)

Primary Examiner — Mitchell I. Siegel
(74) *Attorney, Agent, or Firm* — Muskin and Farmer LLC

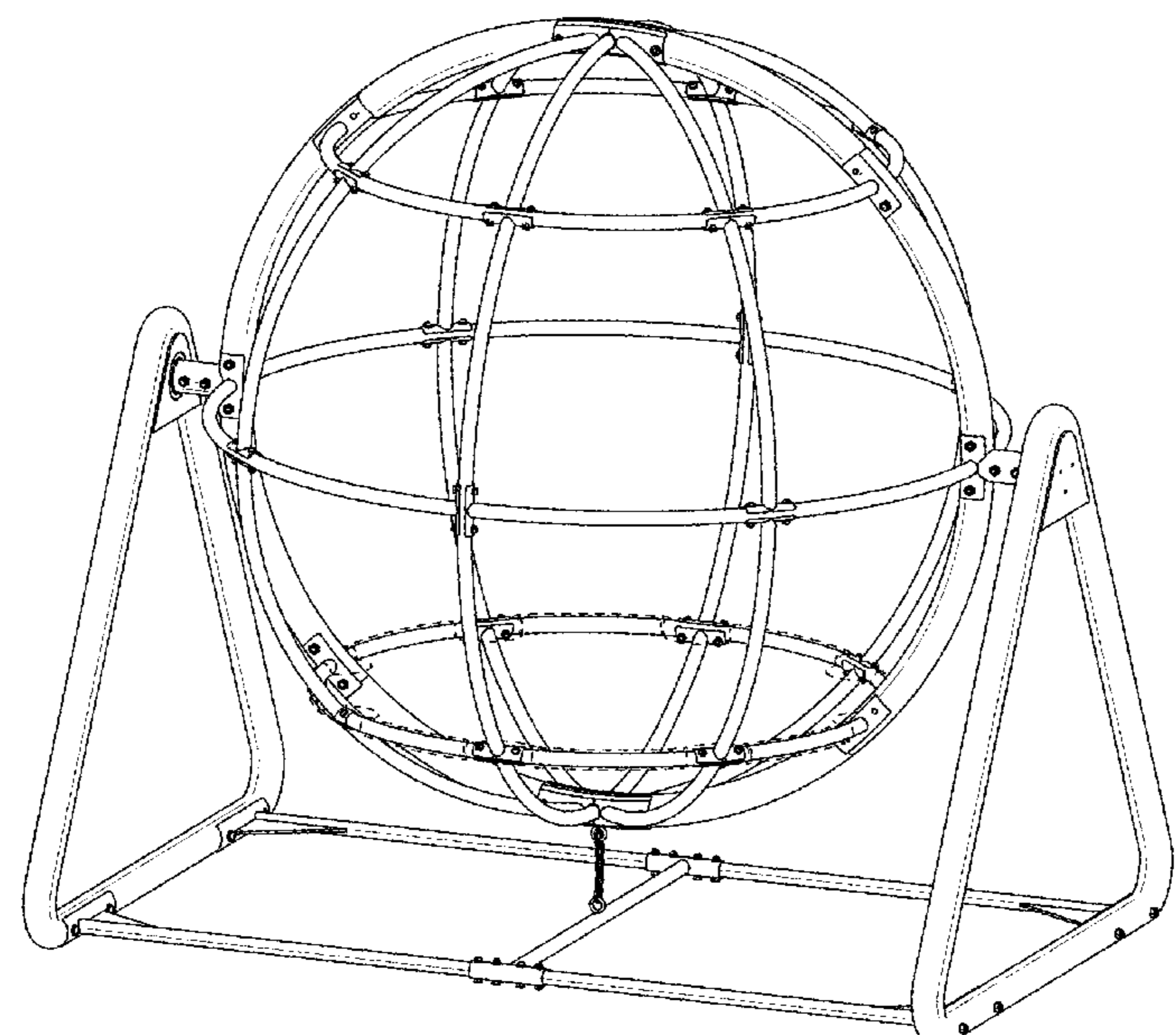
(57) **CLAIM**
The ornamental design for a spherical climbing playground apparatus, as shown and described.

DESCRIPTION

FIG. 1 is an orthographic view of a spherical climbing playground apparatus showing my new design; FIG. 2 is a front view of the new design; FIG. 3 is a right side view of the new design; FIG. 4 is a rear view of the new design; FIG. 5 is a left side view of the new design; FIG. 6 is a top view of the new design; and, FIG. 7 is a bottom view of the new design. The broken lines shown are included for the purpose of illustrating unclaimed subject matter and forms no part of the claimed design.

1 Claim, 7 Drawing Sheets

(56) **References Cited**
U.S. PATENT DOCUMENTS
1,901,964 A * 3/1933 Haskell A63B 9/00 482/36
D92,309 S * 5/1934 Home D21/826
D92,310 S * 5/1934 Home D21/826
D93,825 S * 11/1934 Home D21/826
D100,562 S * 7/1936 Home D21/826
D135,935 S * 7/1943 Miller D21/826
D160,419 S * 10/1950 Packer D21/826
D176,999 S * 3/1956 Ahrens D21/826
D177,871 S * 5/1956 Martens D21/826
D178,477 S * 8/1956 Williamson D21/826
D178,663 S * 9/1956 Horowitz D21/826
D180,402 S * 6/1957 Harris, Jr. D21/797
D184,197 S * 12/1958 Rosenzweig et al. D21/826



(56)

References Cited

U.S. PATENT DOCUMENTS

D192,224 S *	2/1962	Haubert	D21/827	D376,186 S *	12/1996	Penney	D21/814
D193,792 S *	10/1962	Stefe	D21/827	D404,786 S *	1/1999	Caron	D21/827
D194,214 S *	12/1962	Shepard	D21/827	D410,271 S *	5/1999	Manus	D21/826
D194,693 S *	2/1963	Aherns	D21/826	D411,604 S *	6/1999	Manus	D21/826
D195,633 S *	7/1963	Haubert	D21/827	D421,636 S *	3/2000	Manus	D21/826
D196,735 S *	10/1963	Grudoski	D21/826	D426,609 S *	6/2000	Manus	D21/826
3,113,400 A *	12/1963	Emond	A01G 9/12 47/45	D472,954 S *	4/2003	Kohler	D21/826
3,120,955 A *	2/1964	Carlin	A63B 9/00 482/36	D498,282 S *	11/2004	Gertschen	D21/826
D200,651 S *	3/1965	Harris, Jr.	D21/826	D515,166 S *	2/2006	Montfort	A63B 9/00 D21/826
D211,649 S *	7/1968	Zick	D21/827	7,052,437 B2 *	5/2006	Kohler	A63B 9/00 482/35
D212,193 S *	9/1968	Rudy	D21/827	D531,692 S *	11/2006	Kvistad	D21/827
D215,063 S *	8/1969	Wormser	D21/827	D554,227 S *	10/2007	Yates	D21/826
D215,164 S *	9/1969	Wormser	D21/827	D560,740 S *	1/2008	Phelps	D21/826
D216,317 S *	12/1969	Ericson	D21/823	D570,438 S *	6/2008	Adams	D21/814
D219,601 S *	12/1970	Wormser	D21/826	D587,775 S *	3/2009	Adams	D21/814
D219,602 S *	12/1970	Wormser	D21/826	D593,179 S *	5/2009	Kearl	D21/827
D219,604 S *	12/1970	Wormser	D21/826	D602,554 S *	10/2009	Kearl	D21/827
D222,487 S *	10/1971	Korte	D21/826	D615,607 S *	5/2010	Hwang	D21/826
D223,674 S *	5/1972	Johnson	D21/827	D620,066 S *	7/2010	Kohler	D21/826
D224,245 S *	7/1972	Hock	D21/826	D621,465 S *	8/2010	Kearl	D21/827
3,677,539 A *	7/1972	Bennet	B63B 34/00 472/129	D628,668 S *	12/2010	Kilgriff	D21/826
D225,072 S *	11/1972	Henning et al.	D21/827	D632,355 S *	2/2011	Kohler	D21/826
D225,073 S *	11/1972	Henning et al.	D21/827	7,951,047 B2 *	5/2011	Kohler	A63B 9/00 482/23
D225,344 S *	12/1972	Henning et al.	D21/826	8,083,648 B2 *	12/2011	Koehler	F16G 11/12 482/36
D226,318 S *	2/1973	Henning et al.	D21/827	8,257,088 B1 *	9/2012	Askins	G09B 19/003 434/247
3,730,520 A *	5/1973	Willis	A63B 9/00 472/2	D729,334 S *	5/2015	Scott	D21/826
D227,792 S *	7/1973	Henning et al.	D21/818	D731,611 S *	6/2015	Klein	D21/826
D236,275 S *	8/1975	Rudy	D21/827	D743,499 S *	11/2015	Eroglu	D21/826
D236,276 S *	8/1975	Rudy	D21/827	D798,982 S *	10/2017	O'Brien	D21/797
3,970,301 A *	7/1976	Lehmann	A63B 9/00 482/35	9,868,069 B2 *	1/2018	Keller	A63B 9/00
D257,875 S *	1/1981	Rudy	D21/537	D812,174 S *	3/2018	Civile	D21/814
D263,983 S *	4/1982	Carlson	D21/826	D814,589 S *	4/2018	Eroglu	D21/826
D289,927 S *	5/1987	Bradford	D21/826	D825,703 S *	8/2018	Eroglu	D21/826
5,330,400 A *	7/1994	Huberman	A63B 9/00 482/121	D833,557 S *	11/2018	Jeffrey	D21/814
D353,420 S *	12/1994	Koresec	D21/691	D844,731 S *	4/2019	Chin	D21/818
				D853,515 S *	7/2019	Chen	D21/811
				D878,460 S *	3/2020	Harguth	D19/64

* cited by examiner

FIG. 1

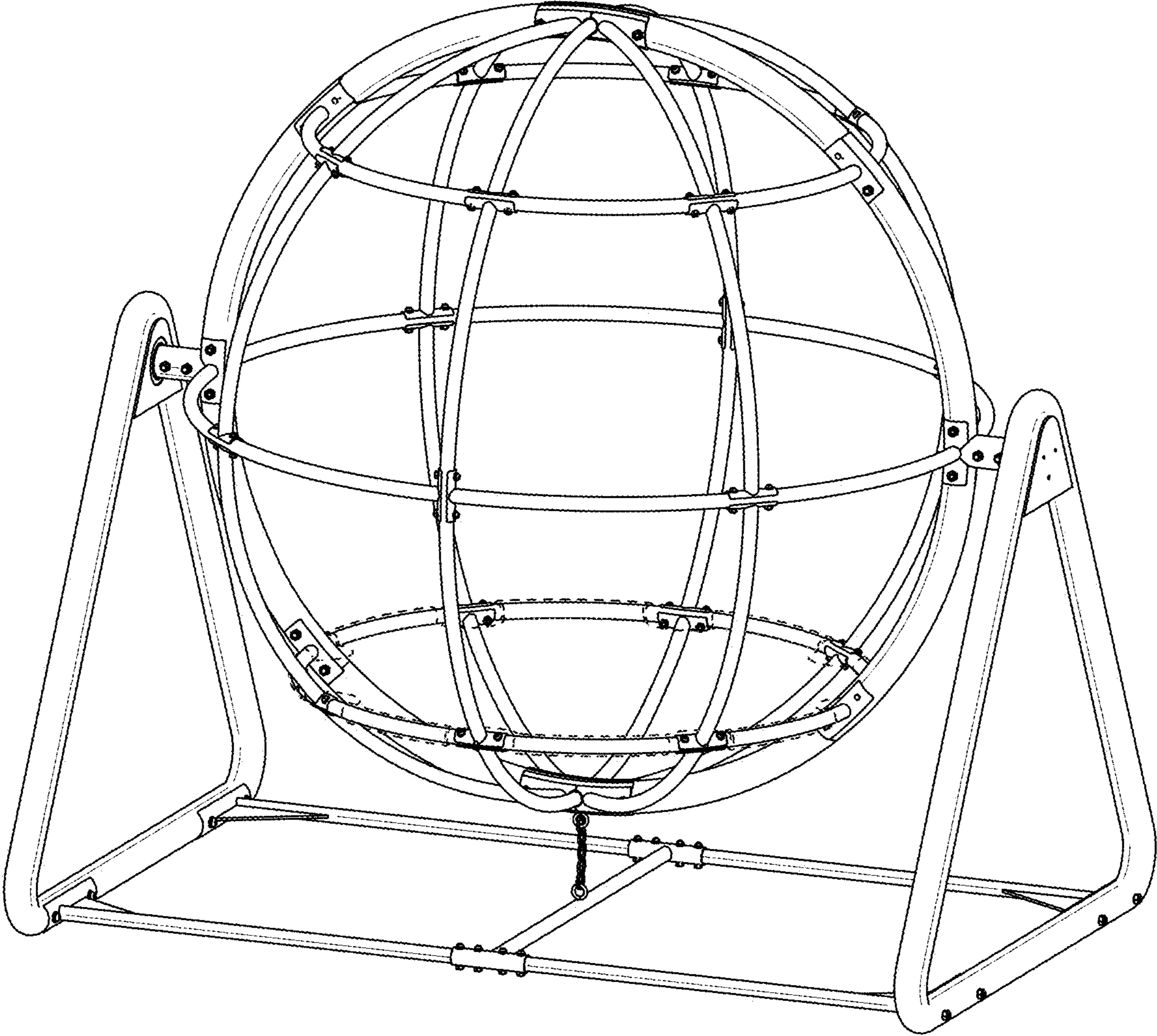


FIG. 2

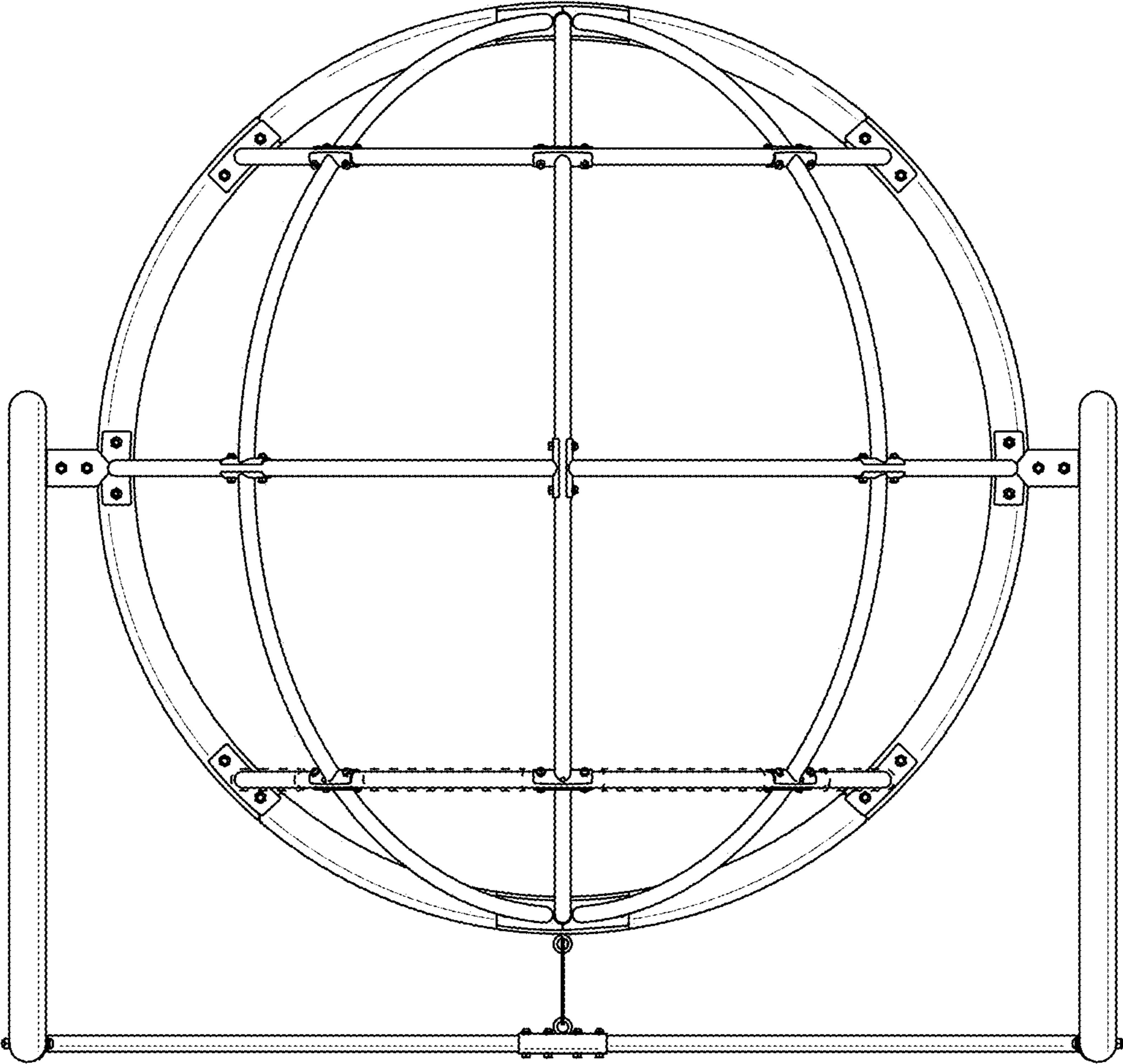


FIG. 3

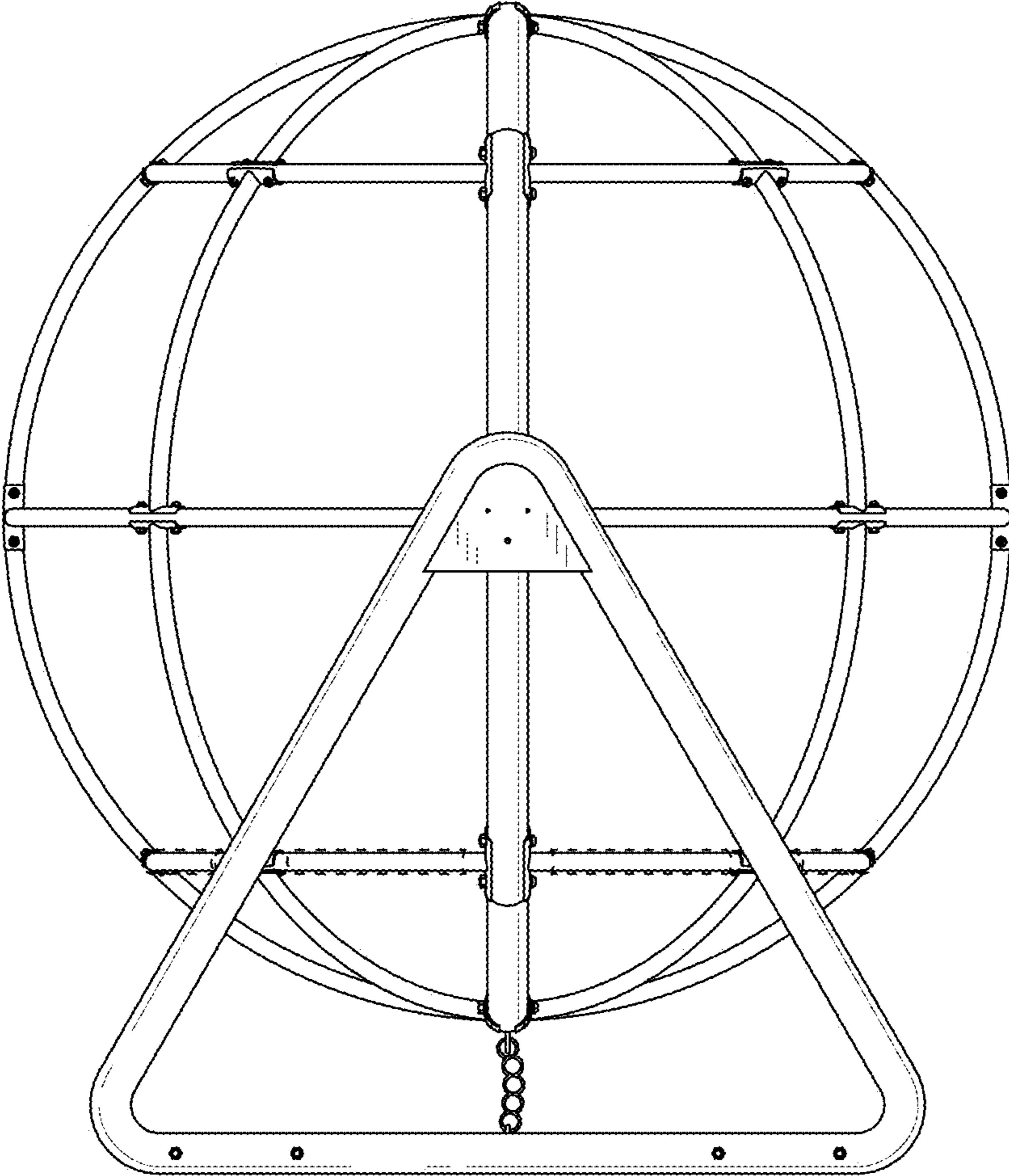


FIG. 4

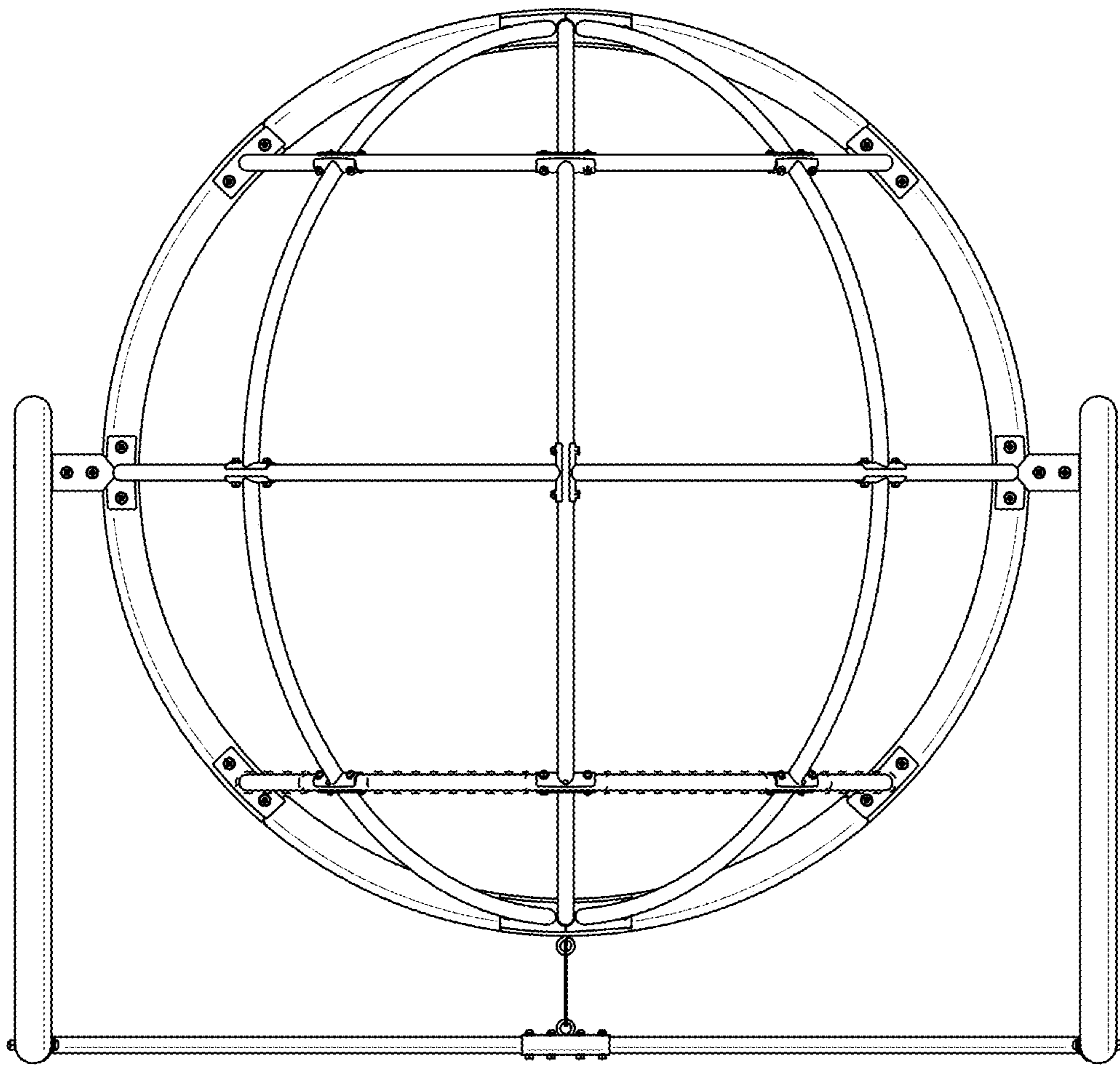


FIG. 5

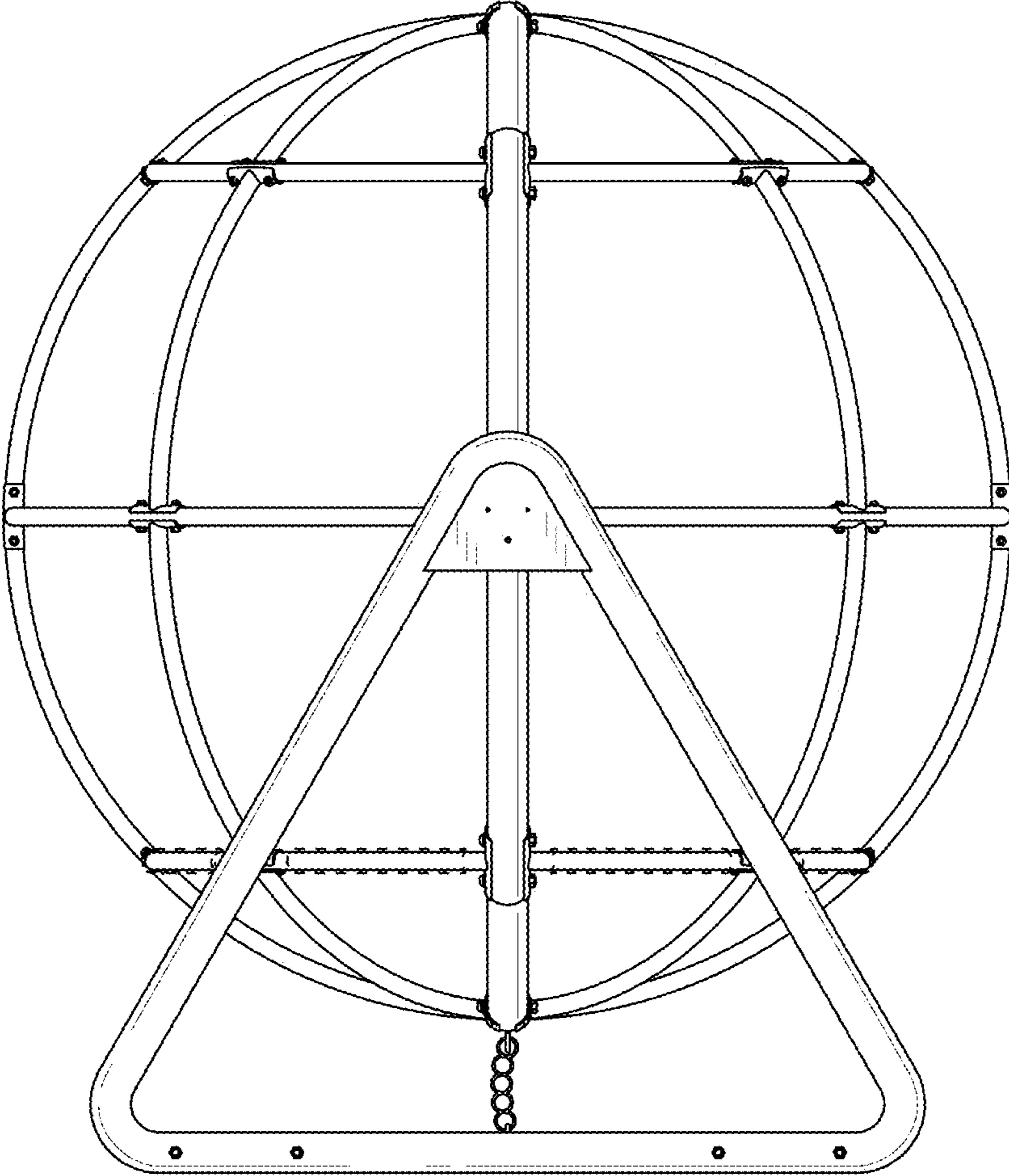


FIG. 6

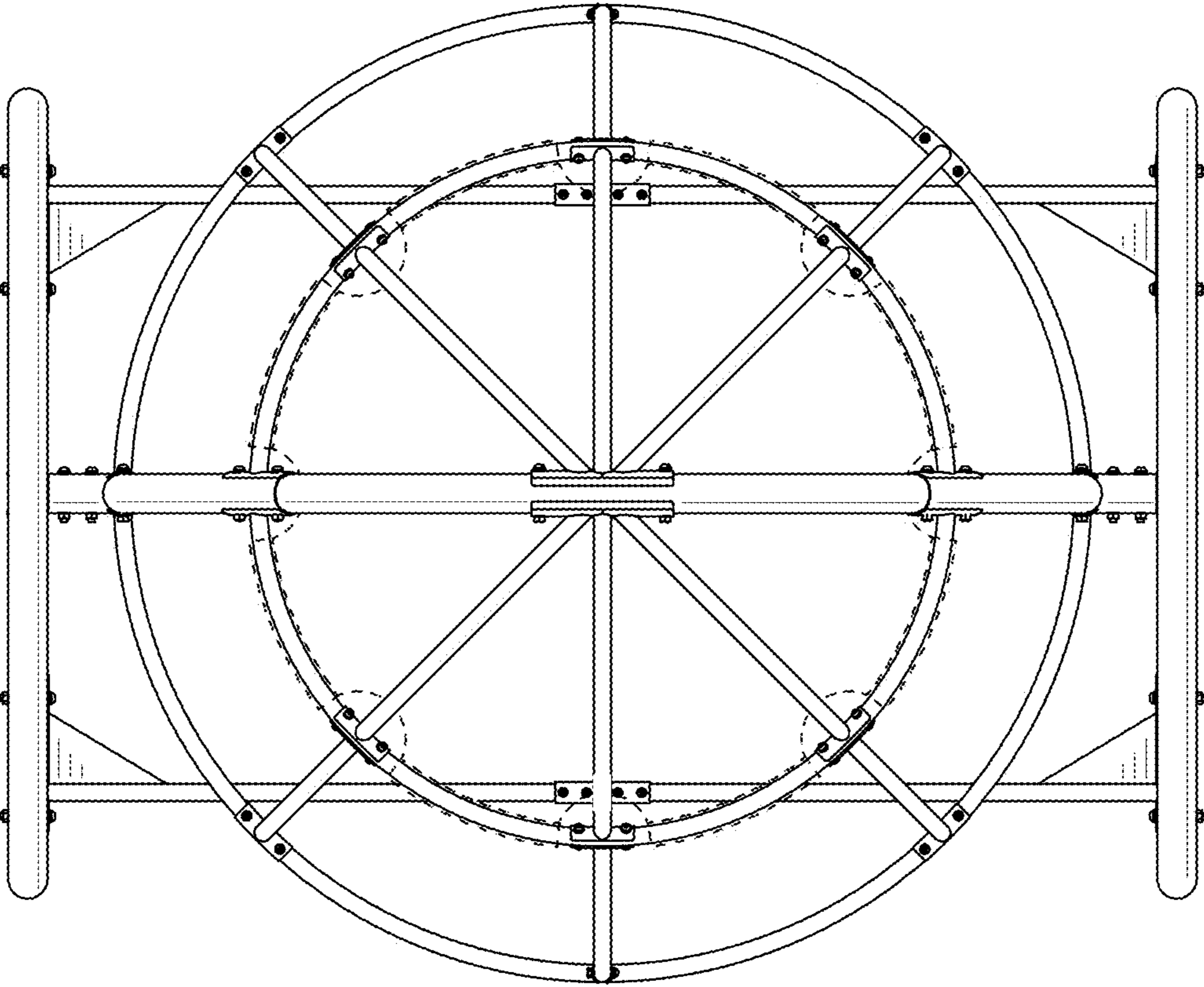


FIG. 7

