



US00D919732S

(12) **United States Design Patent**  
**Hunter**

(10) **Patent No.:** **US D919,732 S**

(45) **Date of Patent:** **\*\* May 18, 2021**

(54) **WATER RIDE**

(71) Applicant: **PROSLIDE TECHNOLOGY INC.**,  
Ottawa (CA)

(72) Inventor: **Richard D. Hunter**, Ottawa (CA)

(73) Assignee: **ProSlide Technology Inc.**, Ottawa (CA)

(\*\*) Term: **15 Years**

(21) Appl. No.: **29/764,673**

(22) Filed: **Dec. 31, 2020**

**Related U.S. Application Data**

(60) Continuation of application No. 29/754,752, filed on Oct. 14, 2020, which is a division of application No. 29/734,235, filed on May 11, 2020, which is a division of application No. 29/666,244, filed on Oct. 11, 2018, now Pat. No. Des. 892,960.

(30) **Foreign Application Priority Data**

Apr. 16, 2018 (CA) ..... CA 180884

(51) **LOC (13) Cl.** ..... **21-03**

(52) **U.S. Cl.**  
USPC ..... **D21/819**

(58) **Field of Classification Search**  
USPC ..... D21/811, 814, 818–822  
CPC ..... A63G 21/00–21/22  
See application file for complete search history.

(56) **References Cited**

**U.S. PATENT DOCUMENTS**

908,034 A \* 12/1908 Pyleck ..... B65G 11/103  
182/48  
2,465,187 A \* 3/1949 Barrabee ..... A63G 21/02  
104/69  
D256,940 S \* 9/1980 Allen, 3rd ..... D21/819

D266,346 S \* 9/1982 Millay ..... D21/819  
D269,104 S \* 5/1983 Brown ..... D21/819  
D269,105 S \* 5/1983 Brown ..... D21/819  
D269,106 S \* 5/1983 Brown ..... D21/819  
D269,107 S \* 5/1983 Brown ..... D21/819  
D328,119 S \* 7/1992 Matsch ..... D21/821  
5,505,663 A \* 4/1996 Goulart ..... A63G 21/00  
14/70  
5,554,074 A \* 9/1996 Von Parrish ..... A63B 9/00  
472/116  
D388,148 S \* 12/1997 Sutton ..... D21/818  
(Continued)

**OTHER PUBLICATIONS**

Opposition, issued in Turkish Design application No. 2018/06033 (28 pages).

(Continued)

*Primary Examiner* — Mitchell I. Siegel  
(74) *Attorney, Agent, or Firm* — Finnegan, Henderson, Farabow, Garrett & Dunner, L.L.P.

(57) **CLAIM**

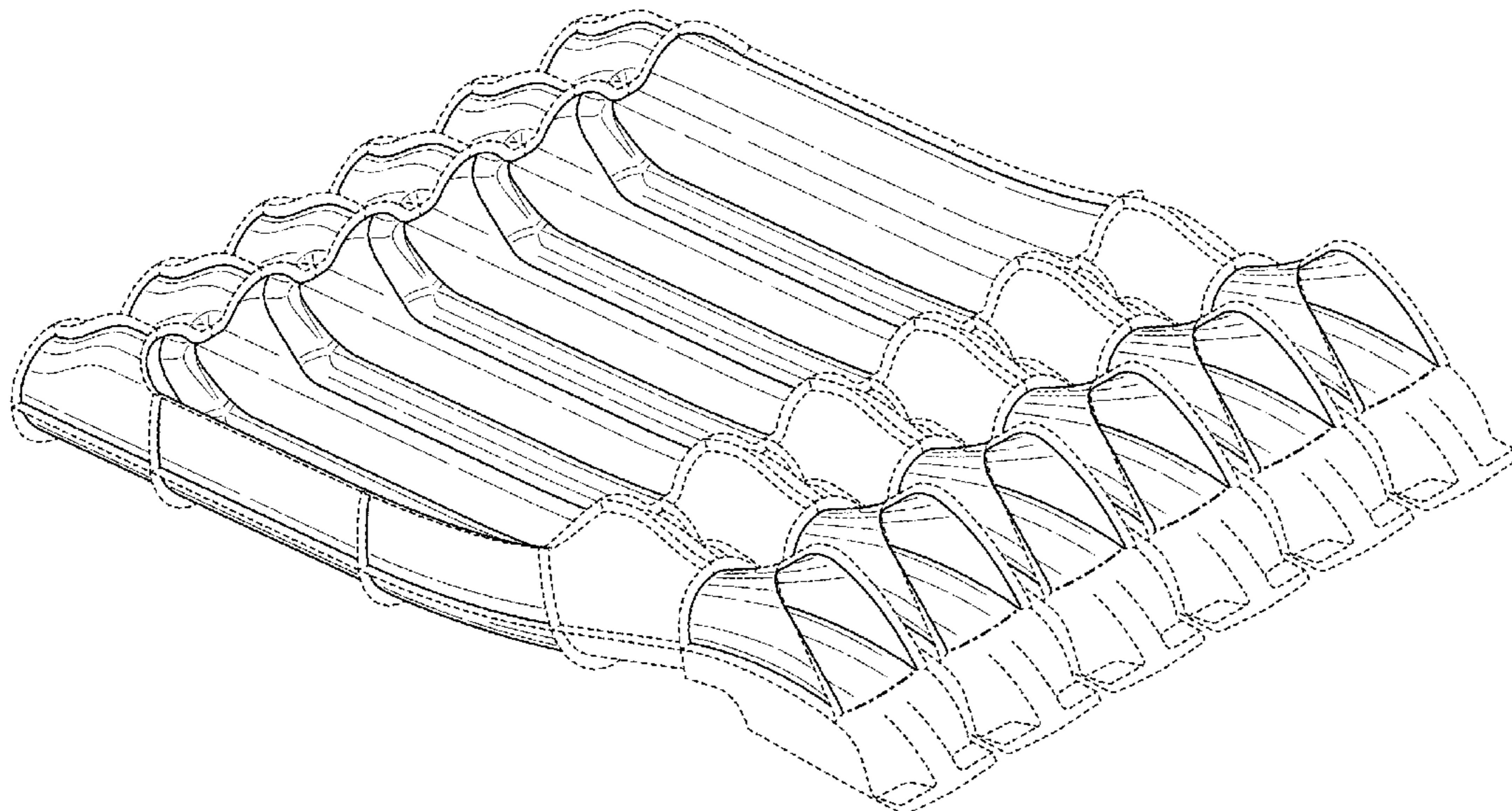
The ornamental design for a water ride, as shown and described.

**DESCRIPTION**

FIG. 1 is a perspective view of a water ride showing my new design;  
FIG. 2 is a front view thereof;  
FIG. 3 is a rear view thereof;  
FIG. 4 is a left side view thereof;  
FIG. 5 is a right side view thereof;  
FIG. 6 is a top view thereof; and,  
FIG. 7 is a bottom view thereof.

The portions shown in broken lines do not form part of the design. The lines consisting of short and long dashes do not form part of the design and are included solely for the purpose of illustrating the boundary of the design.

**1 Claim, 5 Drawing Sheets**



(56)

References Cited

U.S. PATENT DOCUMENTS

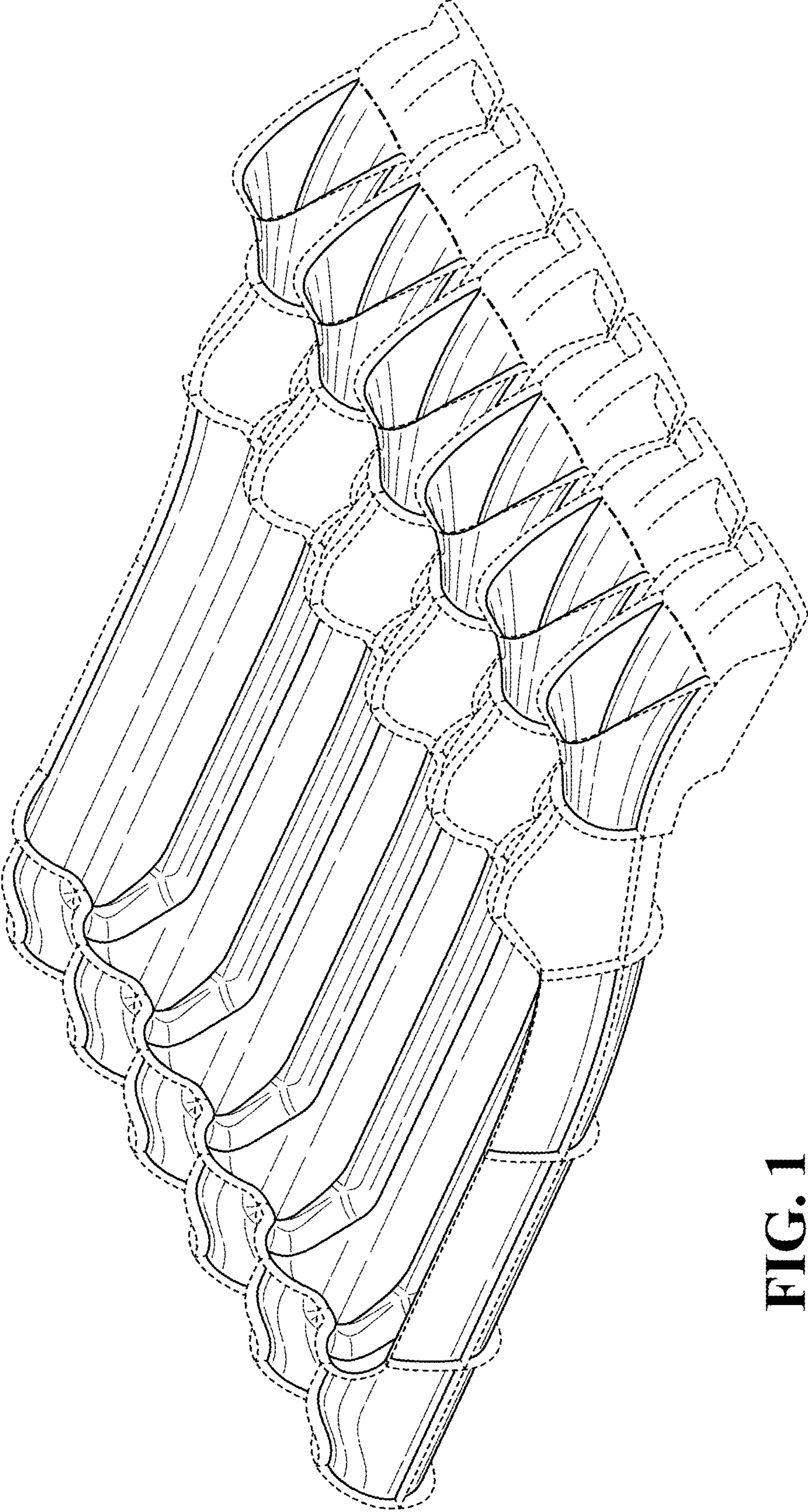
5,735,748 A \* 4/1998 Meyers ..... A63G 21/18  
472/116  
D460,511 S \* 7/2002 Van Deusen ..... D21/818  
6,419,587 B1 \* 7/2002 Geyer ..... A63G 21/00  
472/116  
D619,186 S \* 7/2010 Strall ..... D21/818  
D629,861 S \* 12/2010 Cuttell ..... D21/821  
7,854,662 B2 \* 12/2010 Braun ..... A63G 21/18  
472/116  
D637,253 S \* 5/2011 Hunter ..... D21/819  
D641,823 S \* 7/2011 Hunter ..... D21/819  
8,430,760 B2 \* 4/2013 Brassard ..... A63G 21/18  
472/117  
D743,497 S \* 11/2015 Eroglu ..... D21/818  
D758,517 S \* 6/2016 Gonzalez ..... D21/818  
9,486,711 B2 \* 11/2016 Brassard ..... A63G 21/00  
D806,816 S \* 1/2018 Forbes ..... D21/818  
D821,525 S \* 6/2018 Green ..... D21/814  
10,046,245 B1 \* 8/2018 Whincup ..... A63G 31/02  
D838,331 S \* 1/2019 Ozsoz ..... D21/819  
D838,799 S \* 1/2019 Ozsoz ..... D21/819  
D838,800 S \* 1/2019 Ozsoz ..... D21/819  
10,166,483 B2 \* 1/2019 Brassard ..... A63G 21/18  
D876,564 S \* 2/2020 Hunter ..... D21/819  
D892,960 S \* 8/2020 Hunter ..... D21/819  
D901,613 S \* 11/2020 Hunter ..... D21/819

D903,804 S \* 12/2020 Hunter ..... D21/819  
2006/0252563 A1 \* 11/2006 Werner ..... A63G 21/18  
472/117  
2007/0087849 A1 \* 4/2007 Henry ..... A63G 3/00  
472/117  
2007/0087850 A1 \* 4/2007 Henry ..... A63G 3/00  
472/117  
2009/0017927 A1 \* 1/2009 Shozi ..... A63G 21/18  
472/117  
2009/0143155 A1 \* 6/2009 Werner ..... A63G 21/18  
472/117  
2011/0287848 A1 \* 11/2011 Bradley ..... A63G 21/18  
472/117  
2017/0106295 A1 \* 4/2017 Hunter ..... A63G 21/18

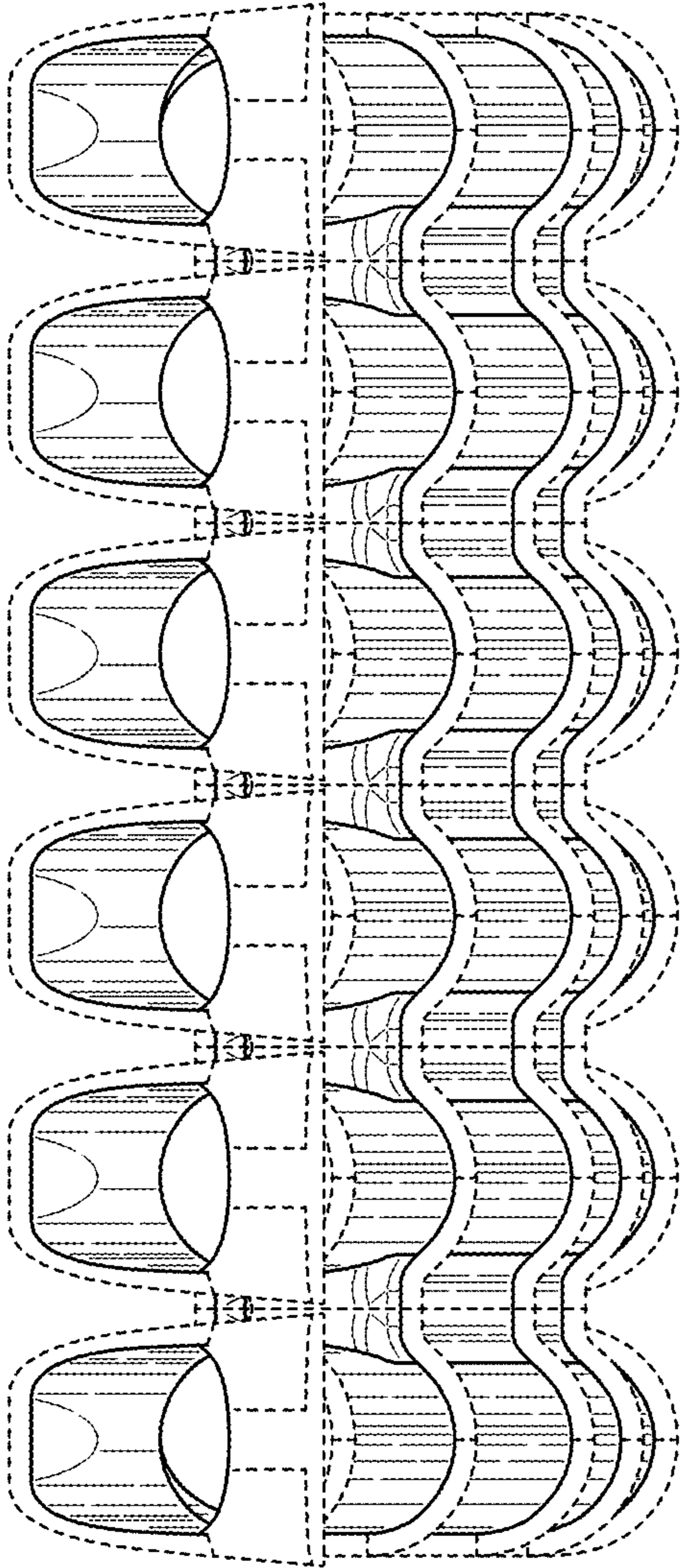
OTHER PUBLICATIONS

Opposition, issued in Turkish Design application No. 2018/06034 (29 pages).  
Opposition, issued in Turkish Design application No. 2018/06037 (23 pages).  
Decision from the Turkish re-examination board rejecting opposition to Turkish Design application No. 2018/06033 (2 pages).  
Decision from the Turkish re-examination board rejecting opposition to Turkish Design application No. 2018/06034 (2 pages).  
Decision from the Turkish re-examination board rejecting opposition to Turkish Design application No. 2018/06037 (2 pages).

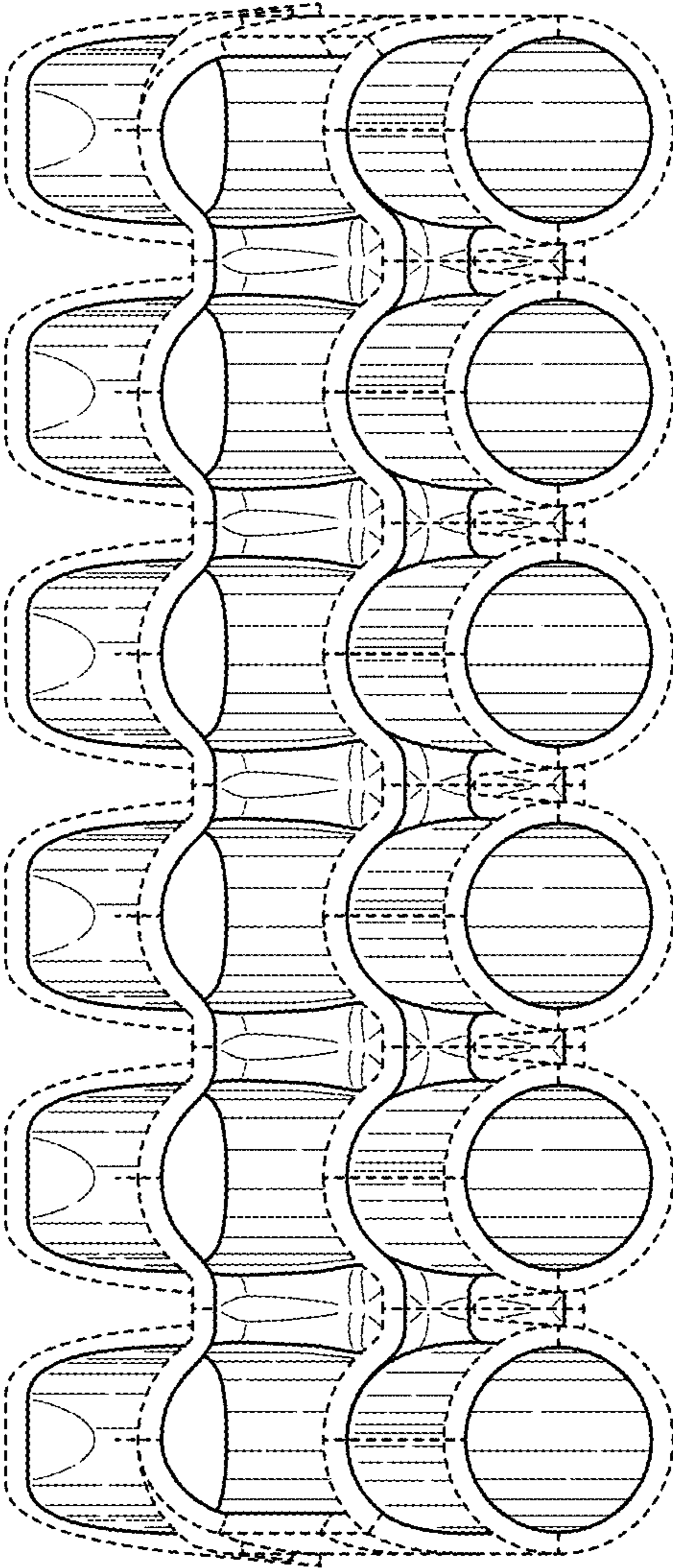
\* cited by examiner



**FIG. 1**



**FIG. 2**



**FIG. 3**

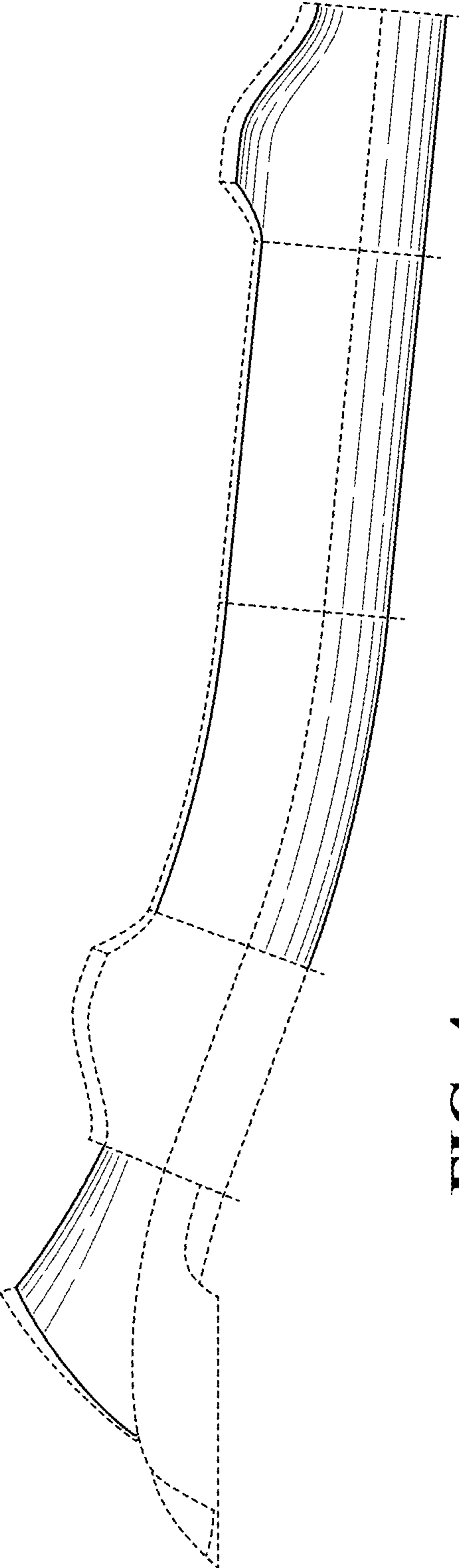


FIG. 4

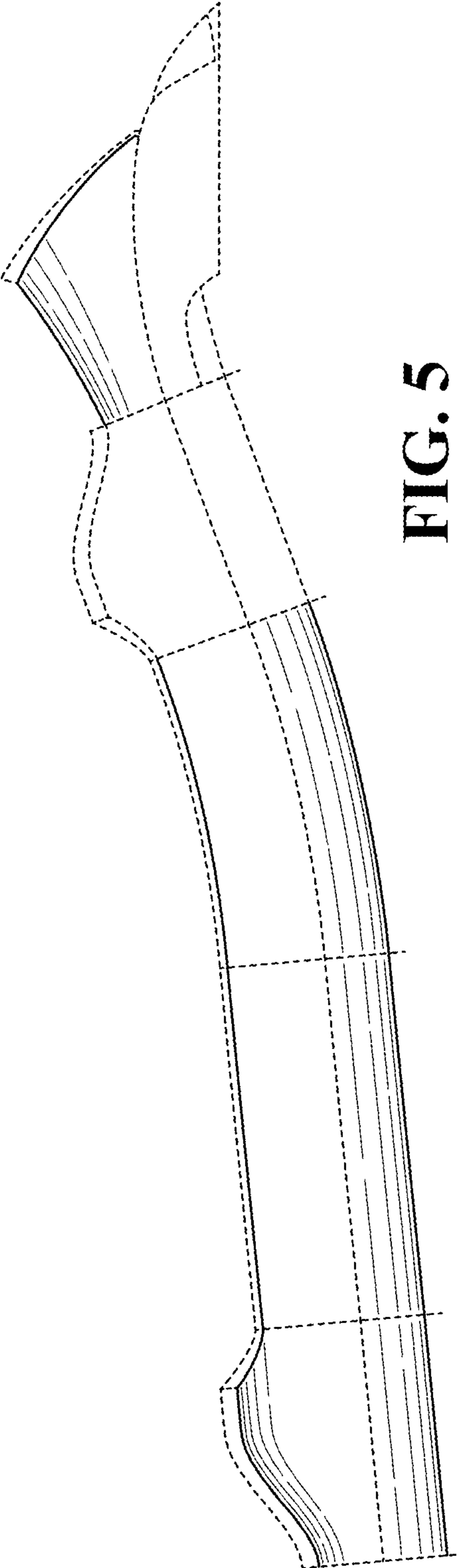


FIG. 5

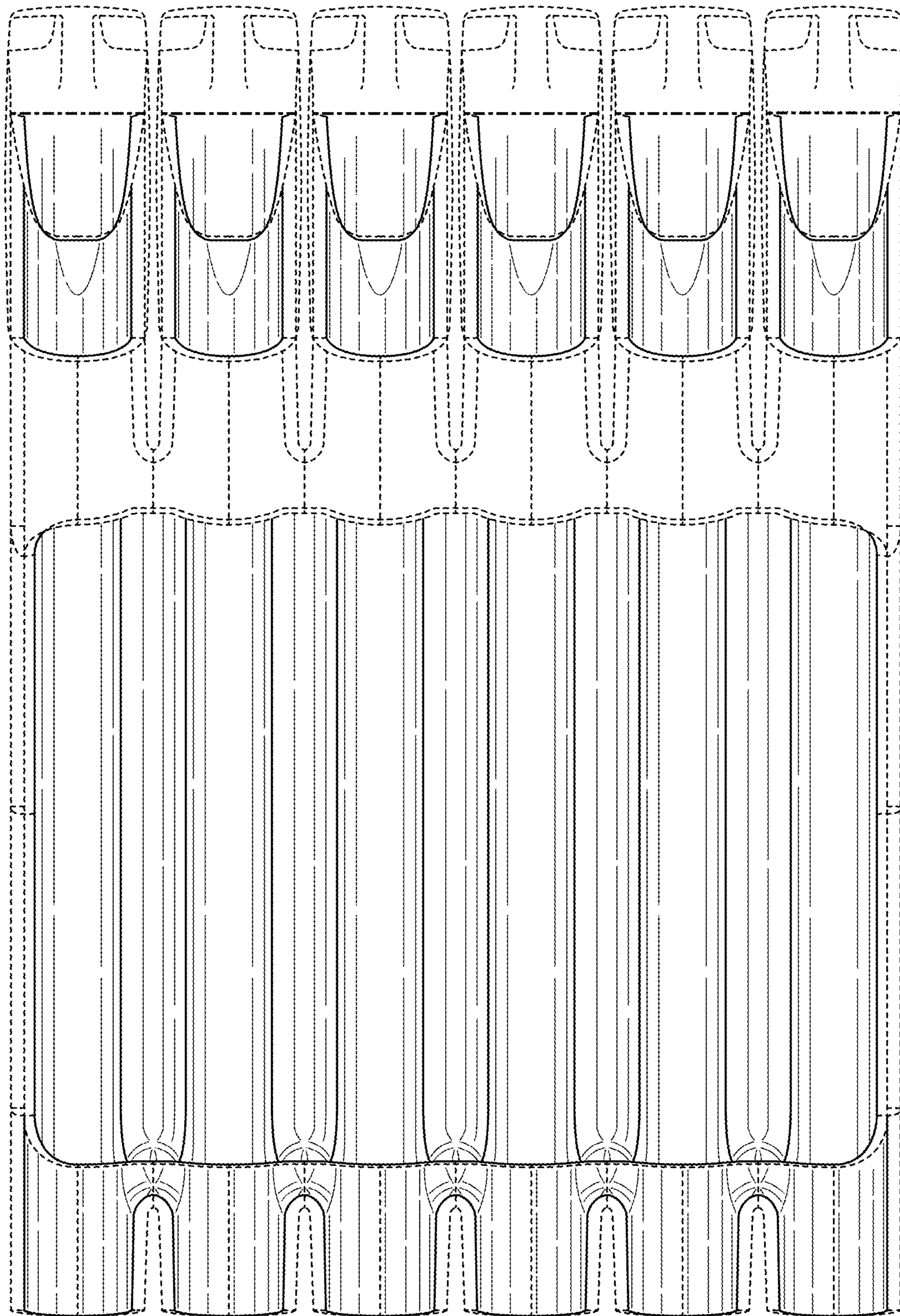


FIG. 6

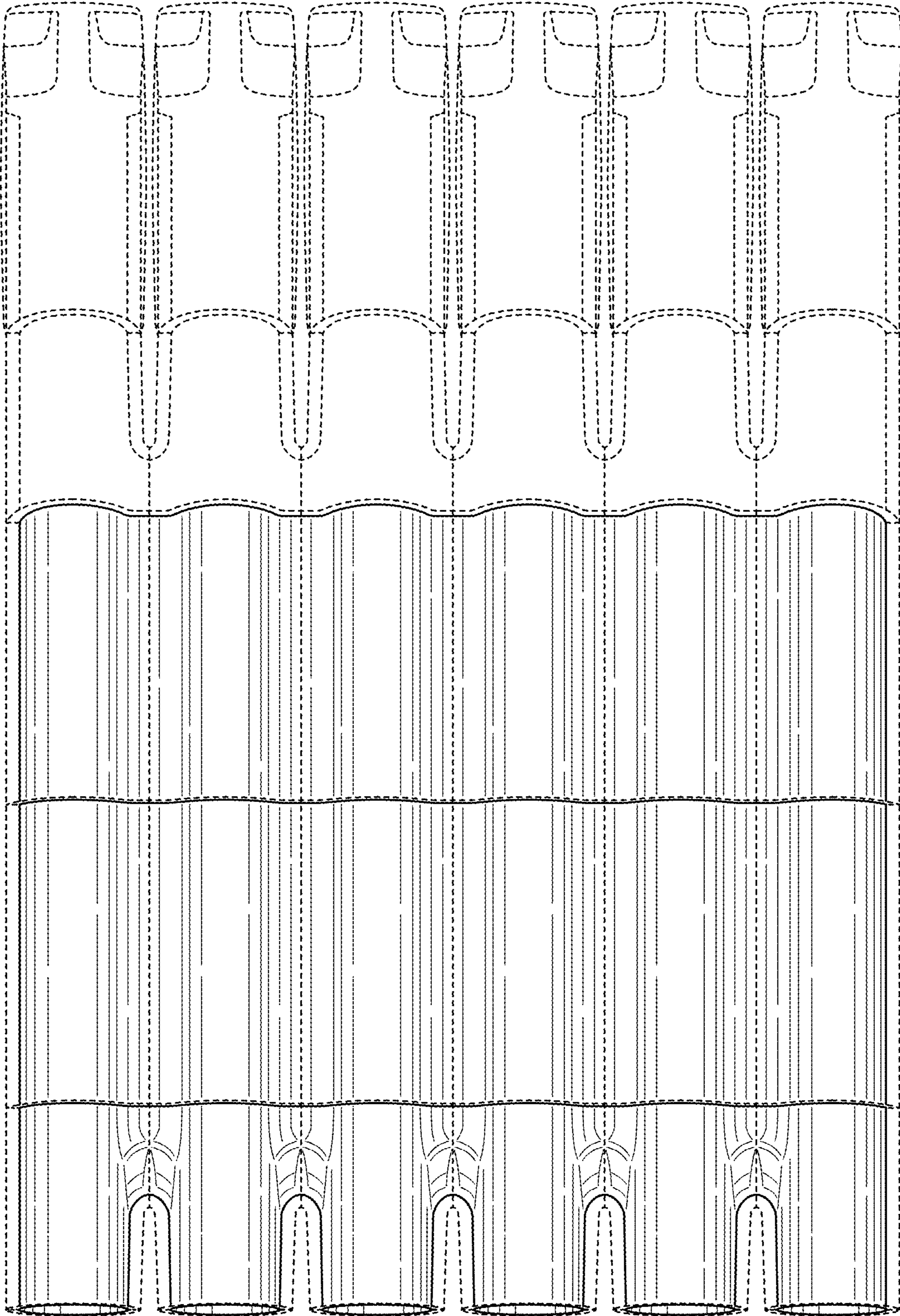


FIG. 7