



US00D919729S

(12) **United States Design Patent**
Shen

(10) **Patent No.:** **US D919,729 S**

(45) **Date of Patent:** **** May 18, 2021**

(54) **HOVERBOARD**

(71) Applicant: **Shenzhen RideTech Electronics Co., Ltd.**, Shenzhen (CN)

(72) Inventor: **Ao Shen**, Shenzhen (CN)

(73) Assignee: **SHENZHEN RIDETECH ELECTRONICS CO., LTD.**, Shenzhen (CN)

(**) Term: **15 Years**

(21) Appl. No.: **29/753,126**

(22) Filed: **Sep. 30, 2020**

(51) **LOC (13) Cl.** **21-02**

(52) **U.S. Cl.**
USPC **D21/763**

(58) **Field of Classification Search**
USPC D21/419, 421, 423, 426, 760, 765, 766, D21/769, 771, 776, 803; D12/1
CPC A63C 17/01; A63C 17/12; A63C 2203/00; A63C 2203/011; A63C 2203/012; A63C 2203/013; A63C 2203/40; A63C 2203/52; B62K 2202/00; B62K 2207/00; B62K 2207/02; B62K 2207/04; B62K 11/00; B62K 11/007
See application file for complete search history.

(56) **References Cited**

U.S. PATENT DOCUMENTS

| | | | | |
|-----------------|---------|--------------|-------|--------------|
| D805,429 S * | 12/2017 | Cao | | D12/1 |
| D807,457 S * | 1/2018 | Desberg | | D21/763 |
| D808,856 S | 1/2018 | Zhang et al. | | |
| D808,857 S * | 1/2018 | Zhang | | D12/1 |
| D810,618 S * | 2/2018 | Li | | D12/1 |
| D817,811 S * | 5/2018 | Wang | | D12/1 |
| D840,872 S * | 2/2019 | Desberg | | B62K 11/007 |
| | | | | D12/1 |
| 10,421,006 B1 * | 9/2019 | Li | | A63C 17/0093 |

| | | | | |
|-------------------|---------|---------|-------|-------------|
| D871,965 S | 1/2020 | Cao | | |
| D886,670 S * | 6/2020 | Cao | | D12/1 |
| D891,297 S * | 7/2020 | Zhou | | D12/1 |
| 10,800,477 B2 * | 10/2020 | Shang | | A63C 17/014 |
| D902,077 S * | 11/2020 | Wang | | D12/1 |
| D904,225 S * | 12/2020 | Wang | | D12/1 |
| D905,595 S * | 12/2020 | Wang | | D12/1 |
| 2017/0217529 A1 * | 8/2017 | Chen | | B62K 11/007 |
| 2018/0037293 A1 * | 2/2018 | Chen | | B62K 3/002 |
| 2018/0127048 A1 * | 5/2018 | Li | | B62K 11/14 |
| 2019/0031269 A1 * | 1/2019 | Shang | | B62J 6/015 |
| 2019/0077479 A1 * | 3/2019 | Chen | | B62K 11/007 |
| 2019/0193803 A1 * | 6/2019 | Desberg | | B62K 11/007 |

(Continued)

Primary Examiner — Cynthia M. Chin

(57) **CLAIM**

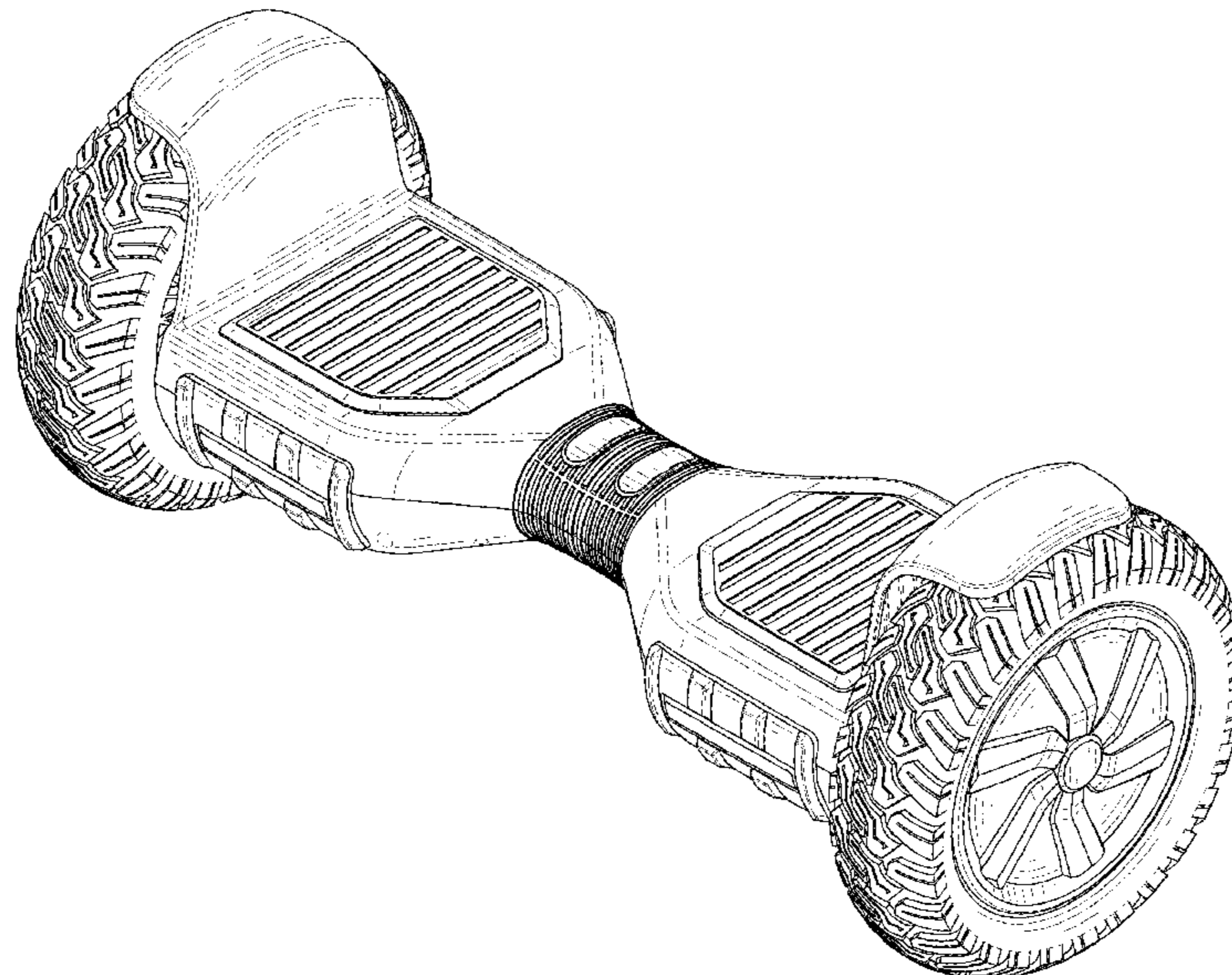
The ornamental design for a hoverboard, as shown and described.

DESCRIPTION

FIG. 1 is a perspective view of a hoverboard showing my new design;
 FIG. 2 is another perspective view thereof;
 FIG. 3 is a front elevational view thereof;
 FIG. 4 is a rear elevational view thereof;
 FIG. 5 is a left side elevational view thereof;
 FIG. 6 is a right side elevational view thereof;
 FIG. 7 is a top plan view thereof;
 FIG. 8 is a bottom plan view thereof;
 FIG. 9 is an enlarged partial view taken from the right side of FIG. 1; and,
 FIG. 10 is an enlarged partial view taken from the middle of FIG. 1.

The broken lines in the drawings are for the purpose of illustrating portions of the hoverboard that form no part of the claimed design. The dash-dot broken lines represent the boundaries of the enlarged partial views of FIGS. 9 and 10 and form no part of the claimed design.

1 Claim, 10 Drawing Sheets



(56)

References Cited

U.S. PATENT DOCUMENTS

2019/0382065 A1* 12/2019 Shang B62J 6/00
2020/0346099 A1* 11/2020 Li A63C 17/0093

* cited by examiner

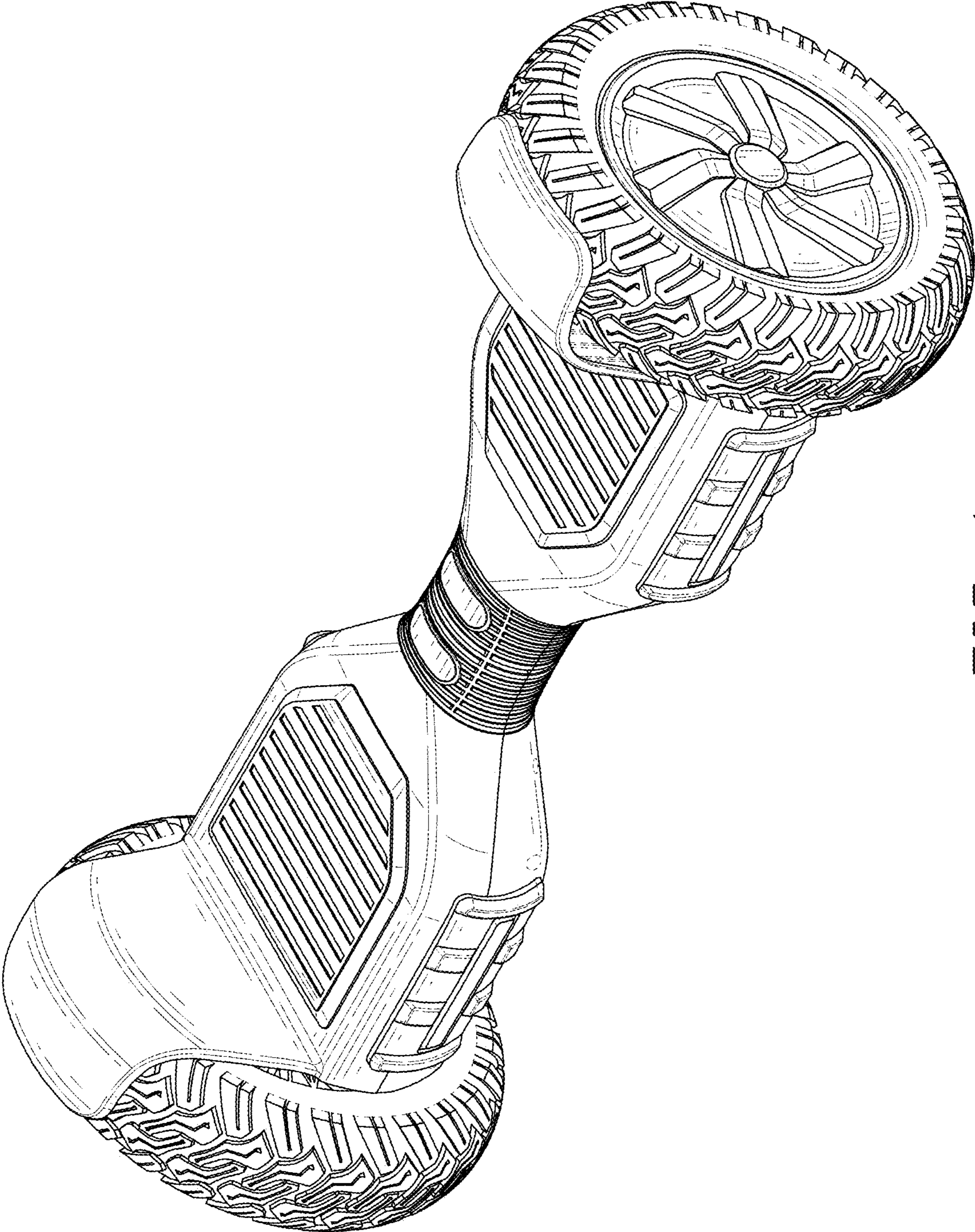


FIG. 1

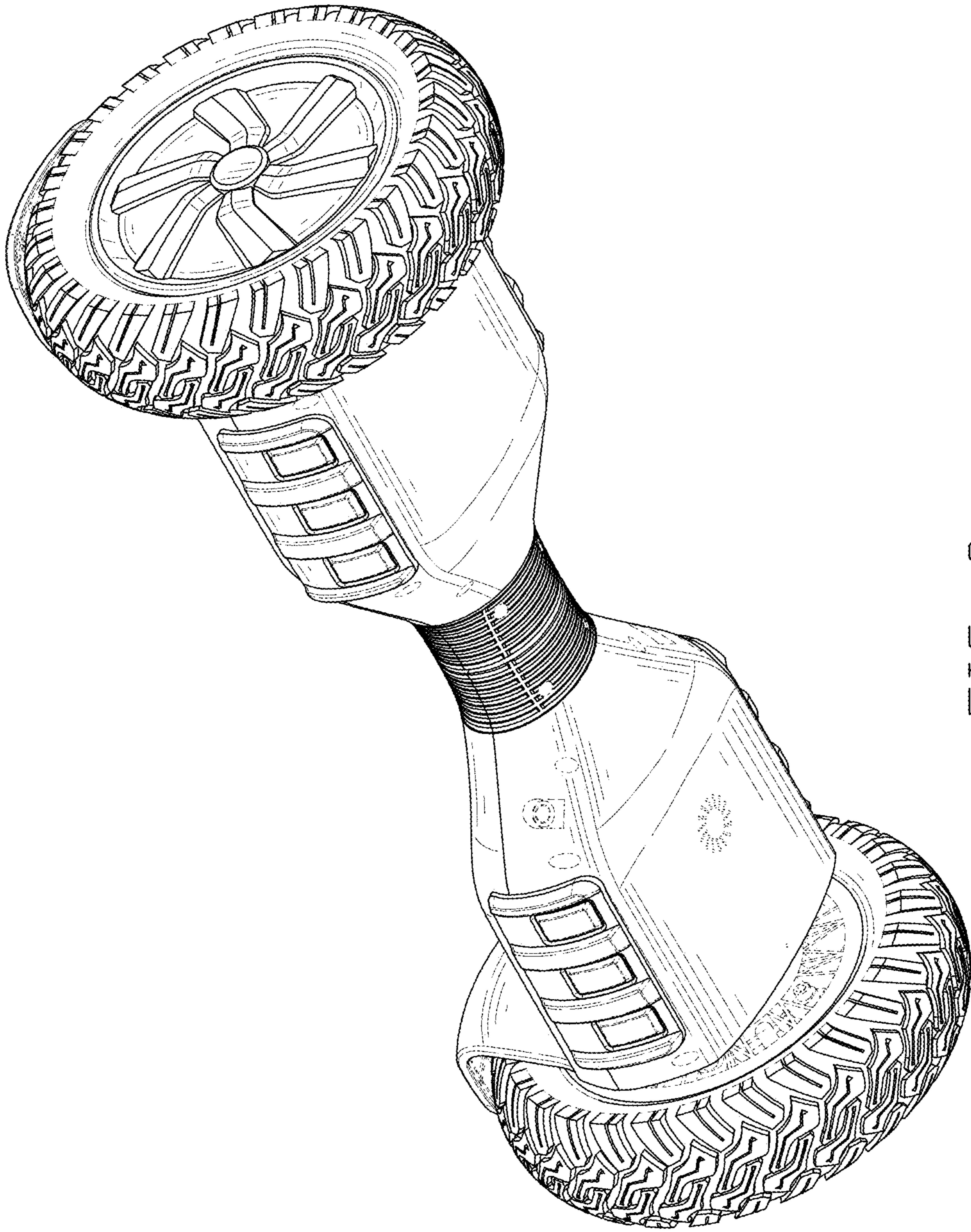


FIG. 2

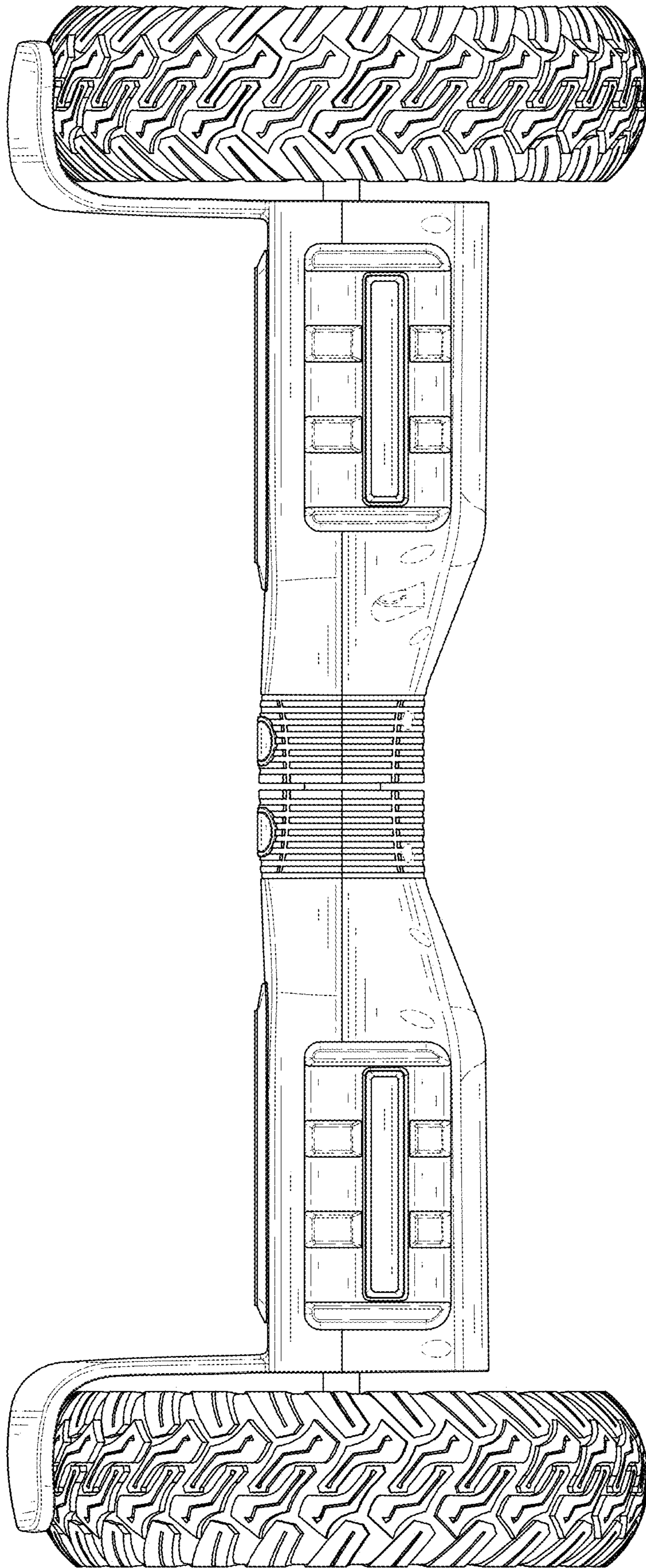


FIG. 3

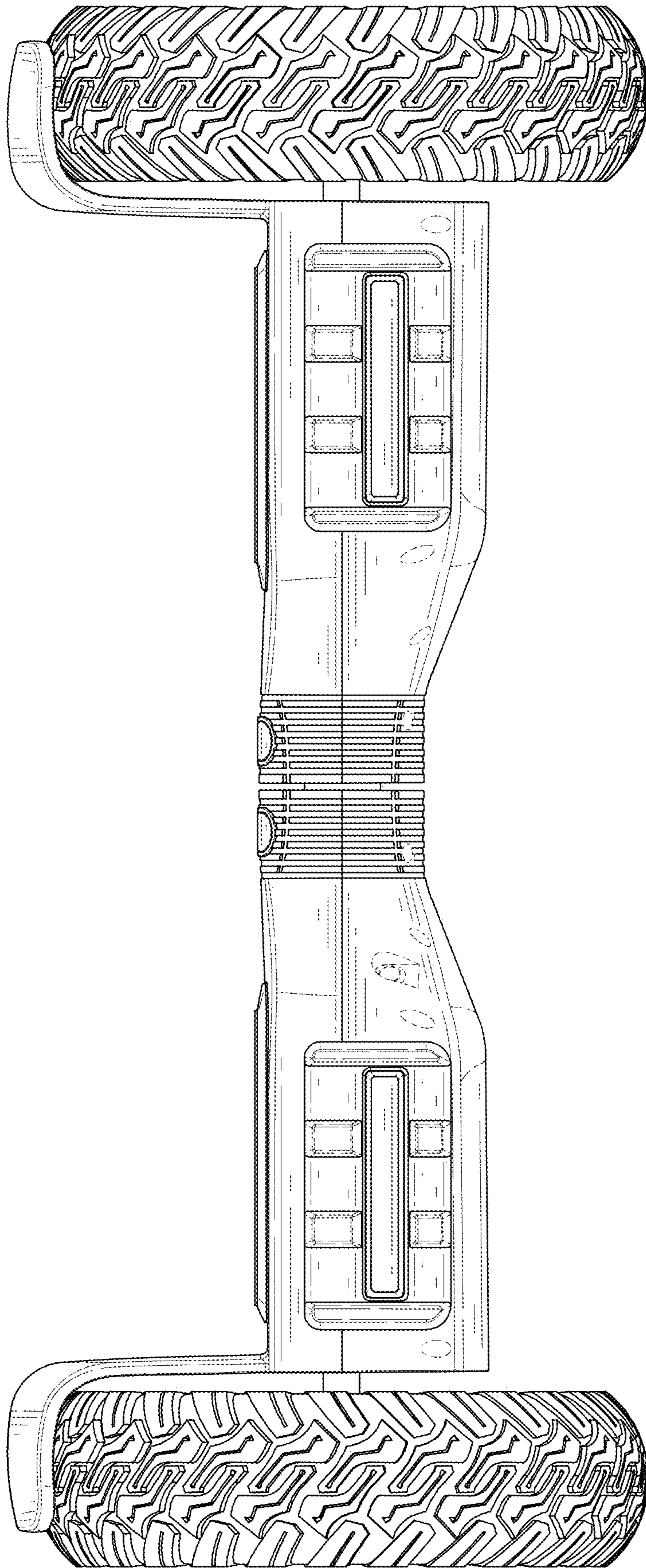


FIG. 4

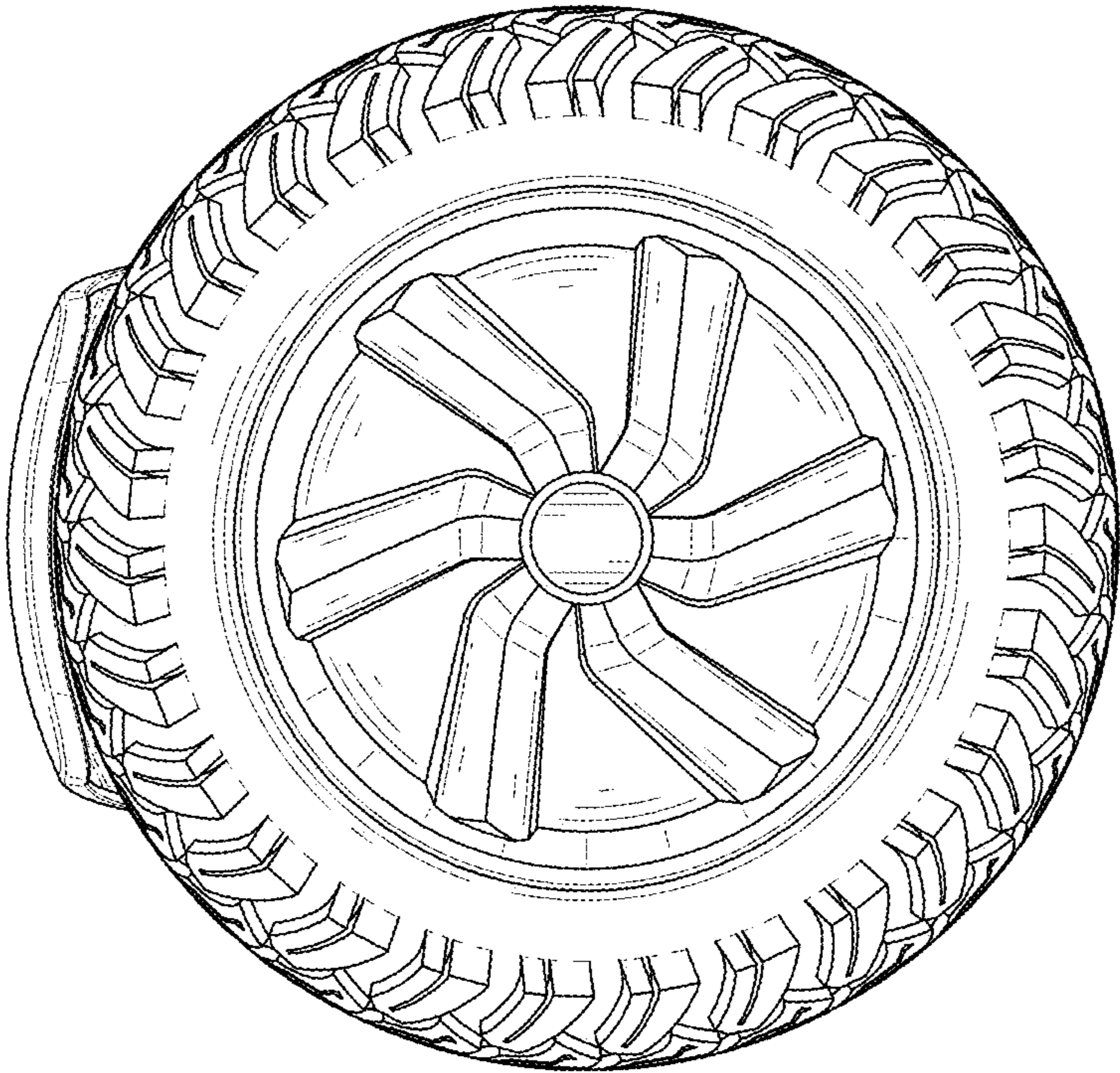


FIG. 5

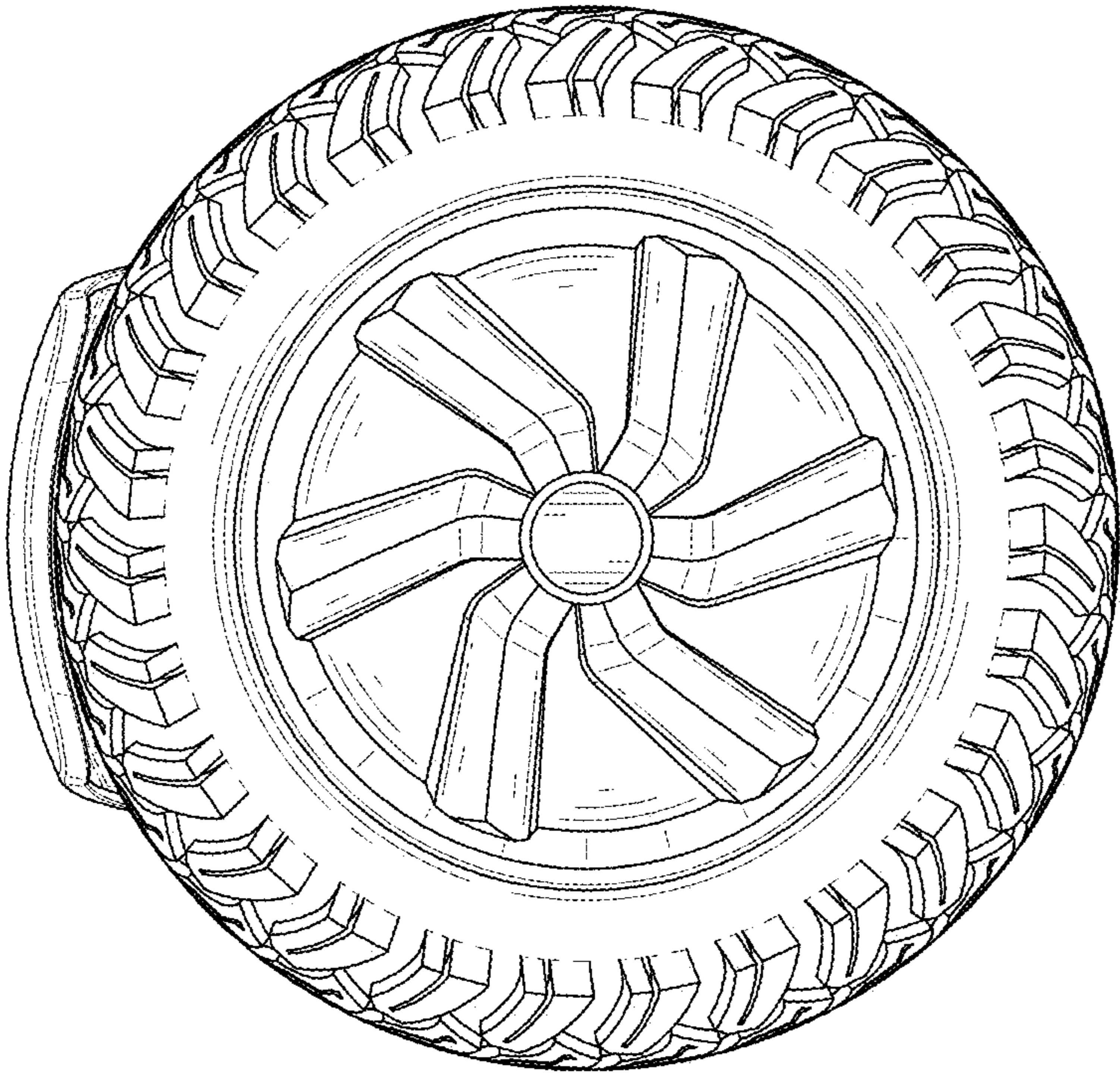


FIG. 6

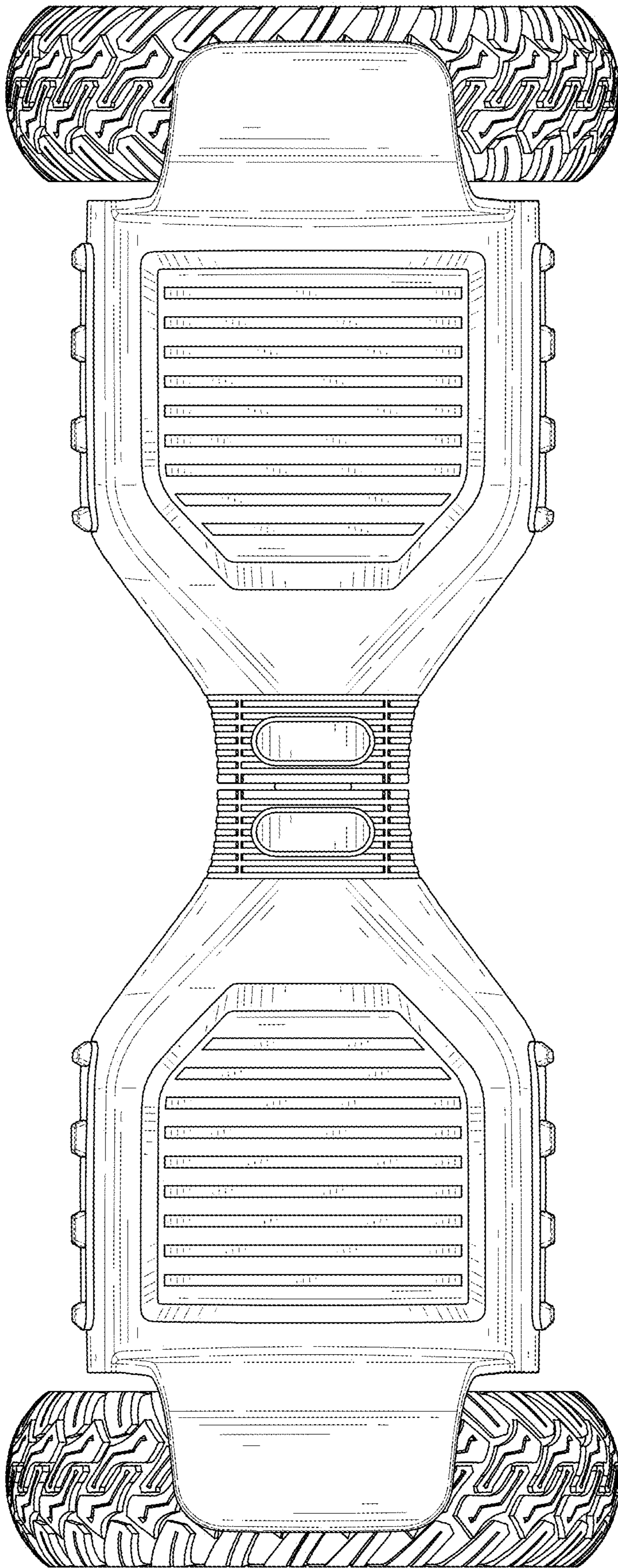


FIG. 7

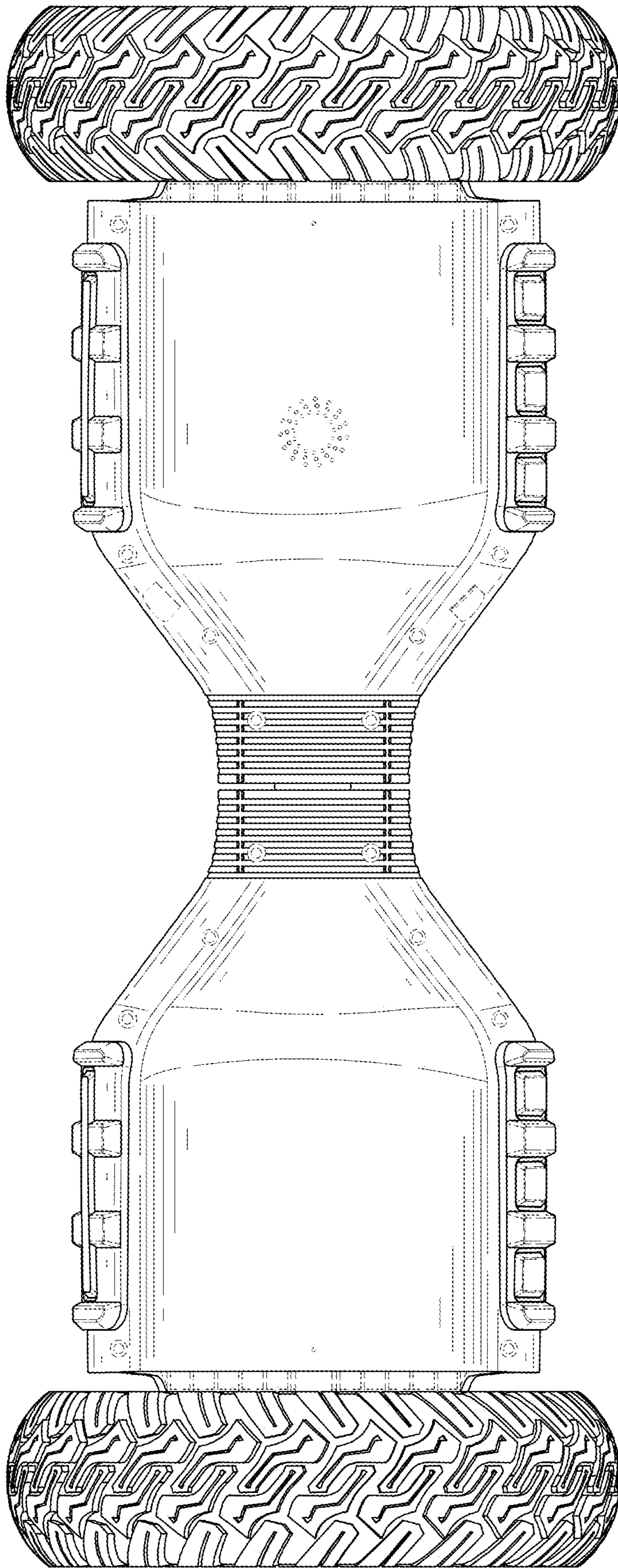


FIG. 8

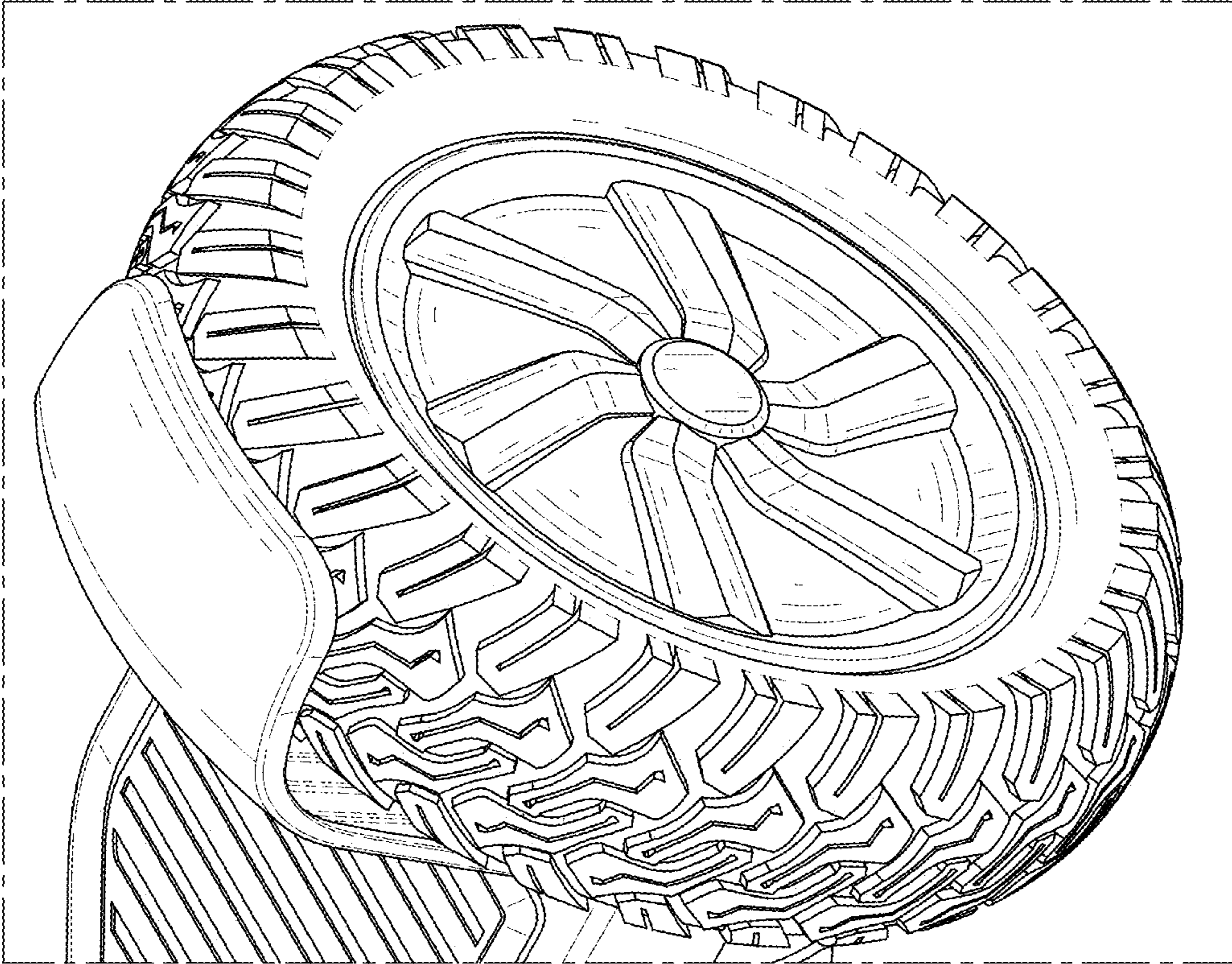


FIG. 9

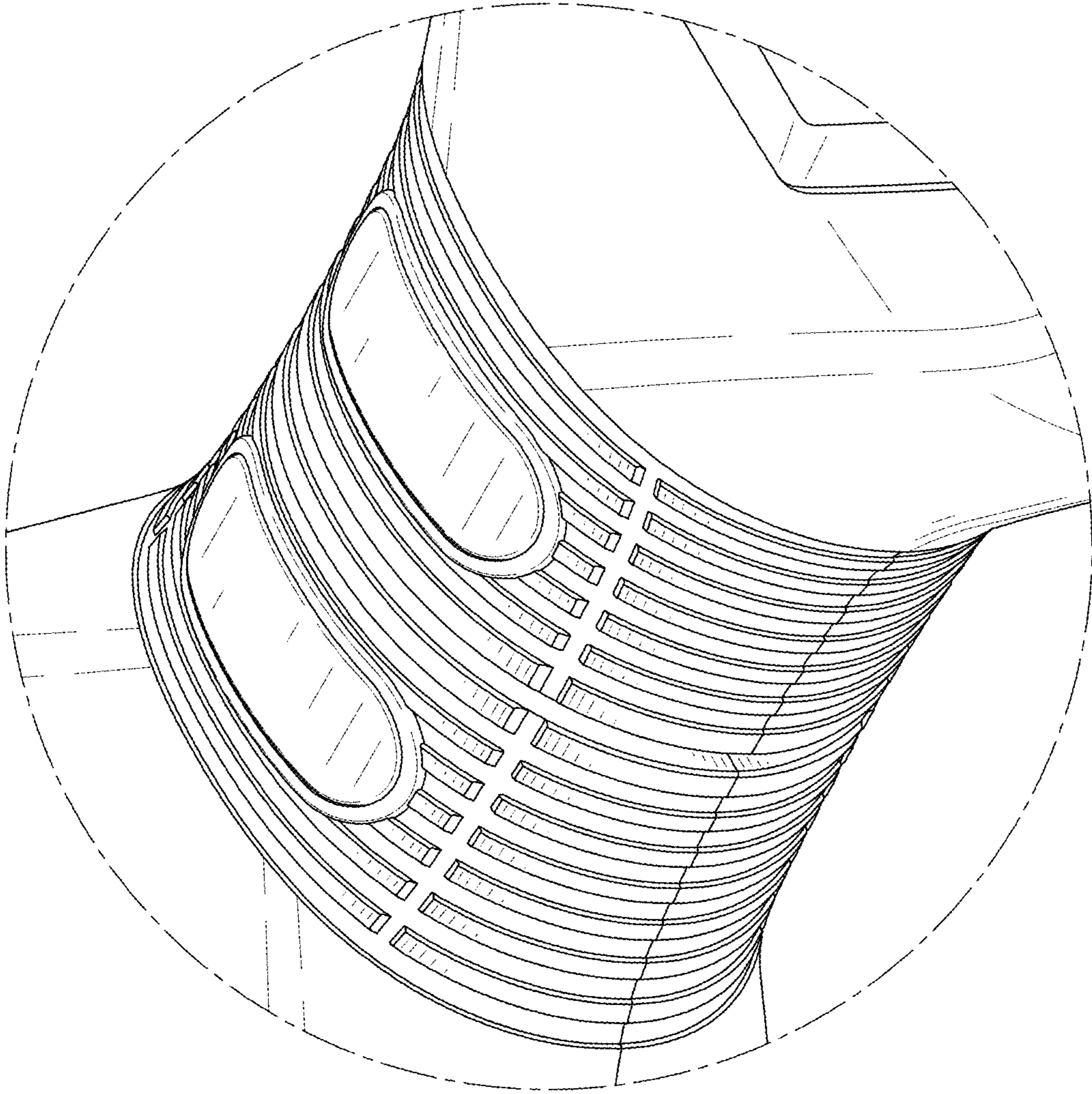


FIG. 10