



US00D919725S

(12) **United States Design Patent**
Kitagawa

(10) **Patent No.:** **US D919,725 S**

(45) **Date of Patent:** **** May 18, 2021**

(54) **GOLF CLUB HEAD**

(71) Applicant: **BRIDGESTONE SPORTS CO., LTD.**,
Tokyo (JP)

(72) Inventor: **Tomonori Kitagawa**, Tokyo (JP)

(73) Assignee: **BRIDGESTONE SPORTS CO., LTD.**,
Tokyo (JP)

(**) Term: **15 Years**

(21) Appl. No.: **29/708,226**

(22) Filed: **Oct. 4, 2019**

(30) **Foreign Application Priority Data**

Apr. 23, 2019 (JP) 2019-009040

(51) **LOC (13) Cl.** **21-02**

(52) **U.S. Cl.**
USPC **D21/759**

(58) **Field of Classification Search**
USPC D21/752, 759
CPC A63B 53/00; A63B 53/04; A63B 53/0466;
A63B 2053/002; A63B 2053/0445; A63B
2053/0433; A63B 2053/0491; A63B
2053/0437; A63B 60/00; A63B 60/46
See application file for complete search history.

(56) **References Cited**

U.S. PATENT DOCUMENTS

D499,158 S *	11/2004	Imamoto	D21/752
D507,615 S *	7/2005	Imamoto	D21/752
D534,980 S *	1/2007	Kohno	D21/759
D597,621 S *	8/2009	Taylor	D21/752
7,572,193 B2 *	8/2009	Yokota	A63B 53/0466 473/328
D604,376 S *	11/2009	Darley	D21/752
D614,711 S *	4/2010	Harbert	D21/752
D619,668 S *	7/2010	Nunez	D21/752

D656,211 S *	3/2012	Foster	D21/752
D656,570 S *	3/2012	Foster	D21/752
8,257,196 B1 *	9/2012	Abbott	A63B 53/0466 473/335
D672,000 S *	12/2012	Yi	D21/759
D675,272 S *	1/2013	Greensmith	D21/759
D675,273 S *	1/2013	Atwell	D21/759
D692,077 S *	10/2013	Greensmith	D21/759
D697,152 S *	1/2014	Harbert	D21/752
D726,853 S *	4/2015	Song	D21/759
D726,855 S *	4/2015	Song	D21/759
D726,857 S *	4/2015	Cardani	D21/759
D733,824 S *	7/2015	Tang	D21/759
D733,825 S *	7/2015	Kim	D21/759
D736,877 S *	8/2015	Foster	D21/759
D763,376 S *	8/2016	Takechi	D21/759
D763,994 S *	8/2016	Foster	D21/759
D763,995 S *	8/2016	Kim	D21/759
D767,700 S *	9/2016	Asatsuma	D21/759
D767,703 S *	9/2016	Asatsuma	D21/759

(Continued)

Primary Examiner — Mitchell I. Siegel

(74) *Attorney, Agent, or Firm* — IPUSA, PLLC

(57) **CLAIM**

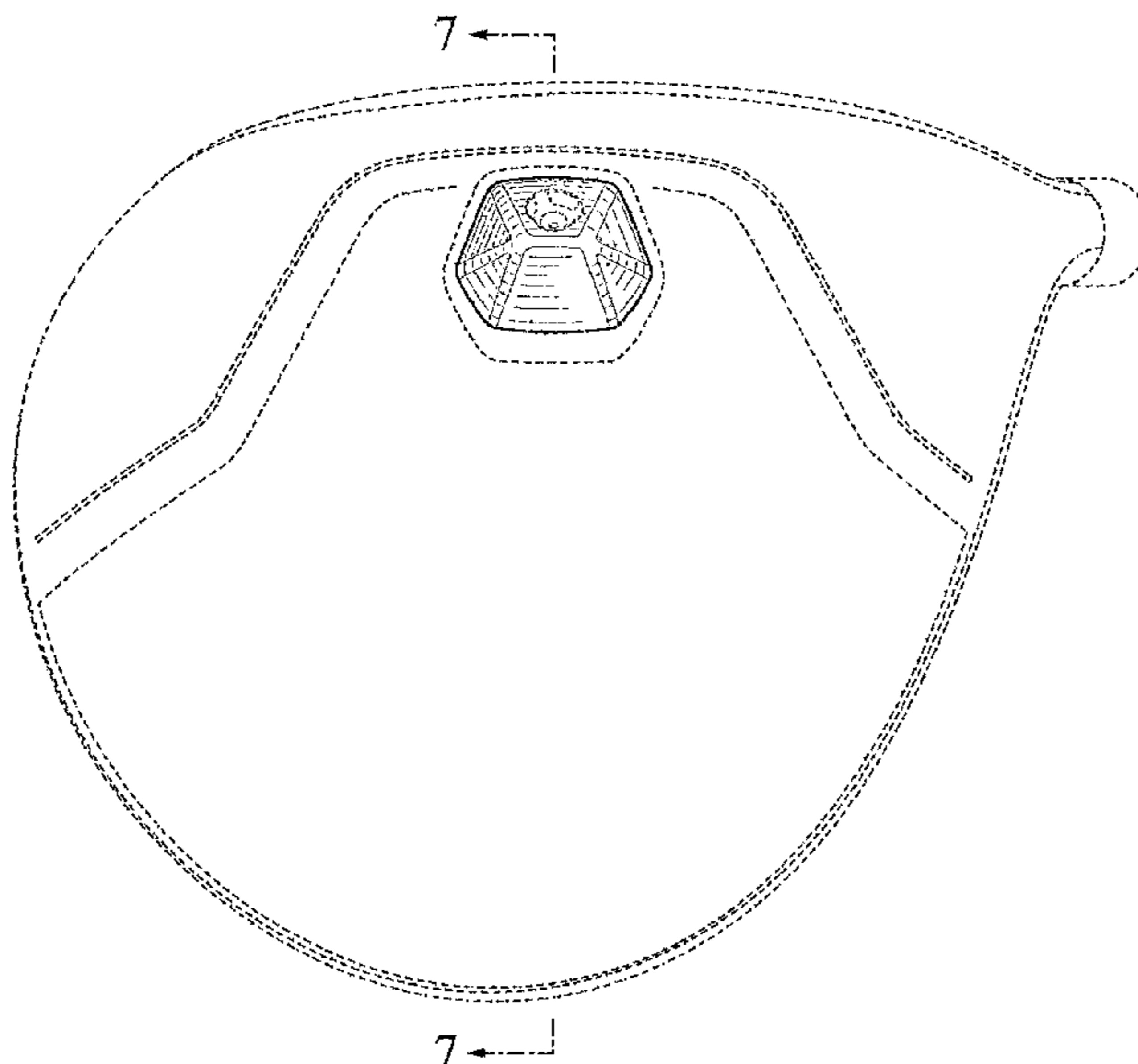
The ornamental design for a golf club head, as shown and described.

DESCRIPTION

FIG. 1 is a bottom plan view of a golf club head, showing our new design;
FIG. 2 is a top plan view thereof;
FIG. 3 is a front view thereof;
FIG. 4 is a back view thereof;
FIG. 5 is a left side view thereof;
FIG. 6 is a right side view thereof; and,
FIG. 7 is a sectional view thereof, taken along line 7-7 of FIG. 1.

The broken lines in the drawings illustrate portions of the golf club head that form no part of the claimed design.

1 Claim, 5 Drawing Sheets



(56)

References Cited

U.S. PATENT DOCUMENTS

D790,644 S *	6/2017	Oldknow	D21/759
D790,645 S *	6/2017	Oldknow	D21/759
D801,463 S *	10/2017	Kim	D21/759
D806,192 S *	12/2017	Tang	D21/759
D811,503 S *	2/2018	Bacon	D21/752
D814,582 S *	4/2018	Bacon	D21/752
D814,583 S *	4/2018	Stokke	D21/752
D814,584 S *	4/2018	Tang	D21/759
D815,223 S *	4/2018	Stokke	D21/752
D823,958 S *	7/2018	Stokke	D21/752
D825,013 S *	8/2018	Milleman	D21/752
D897,467 S *	9/2020	Kim	D21/759

* cited by examiner

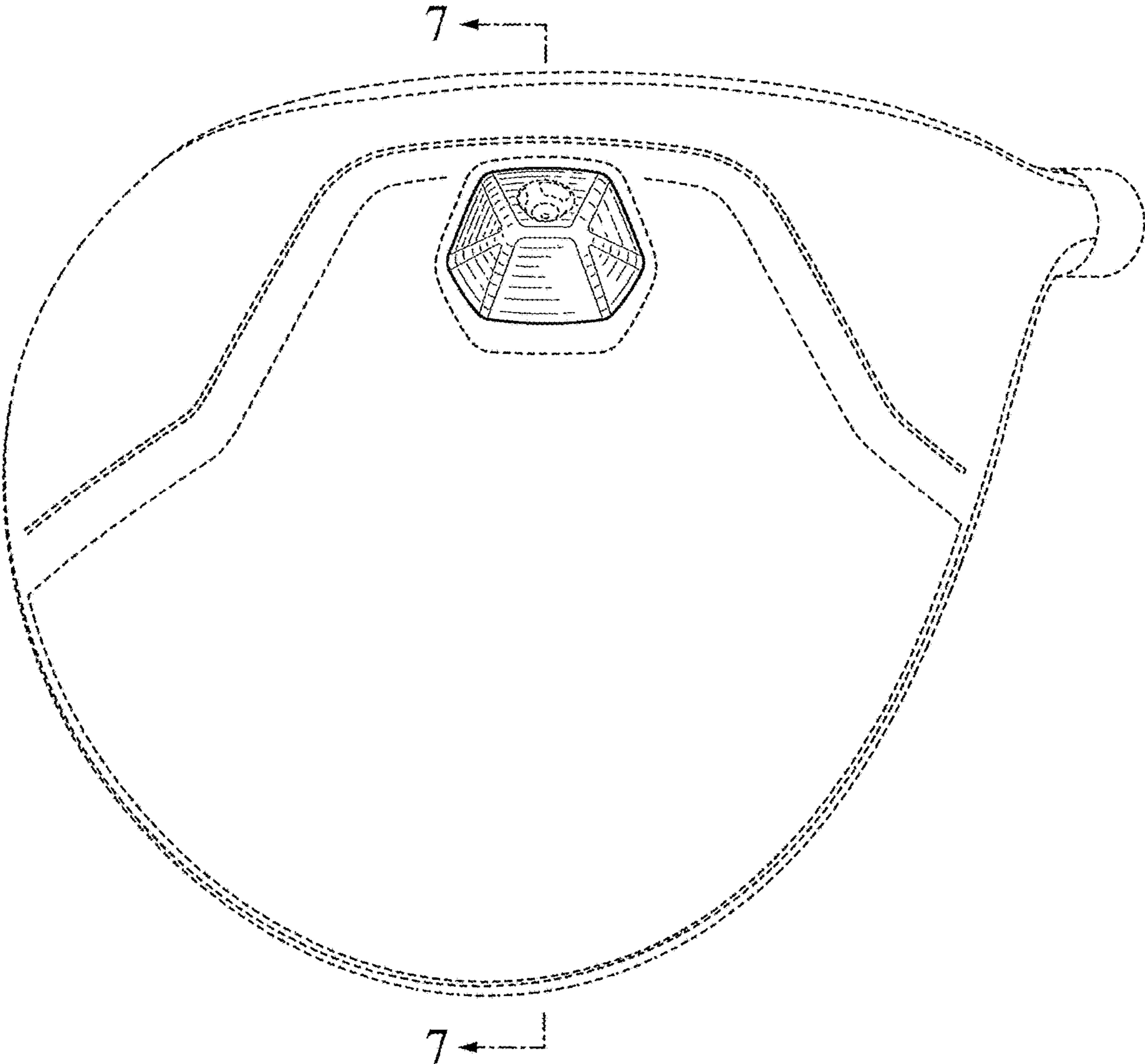


Fig. 1

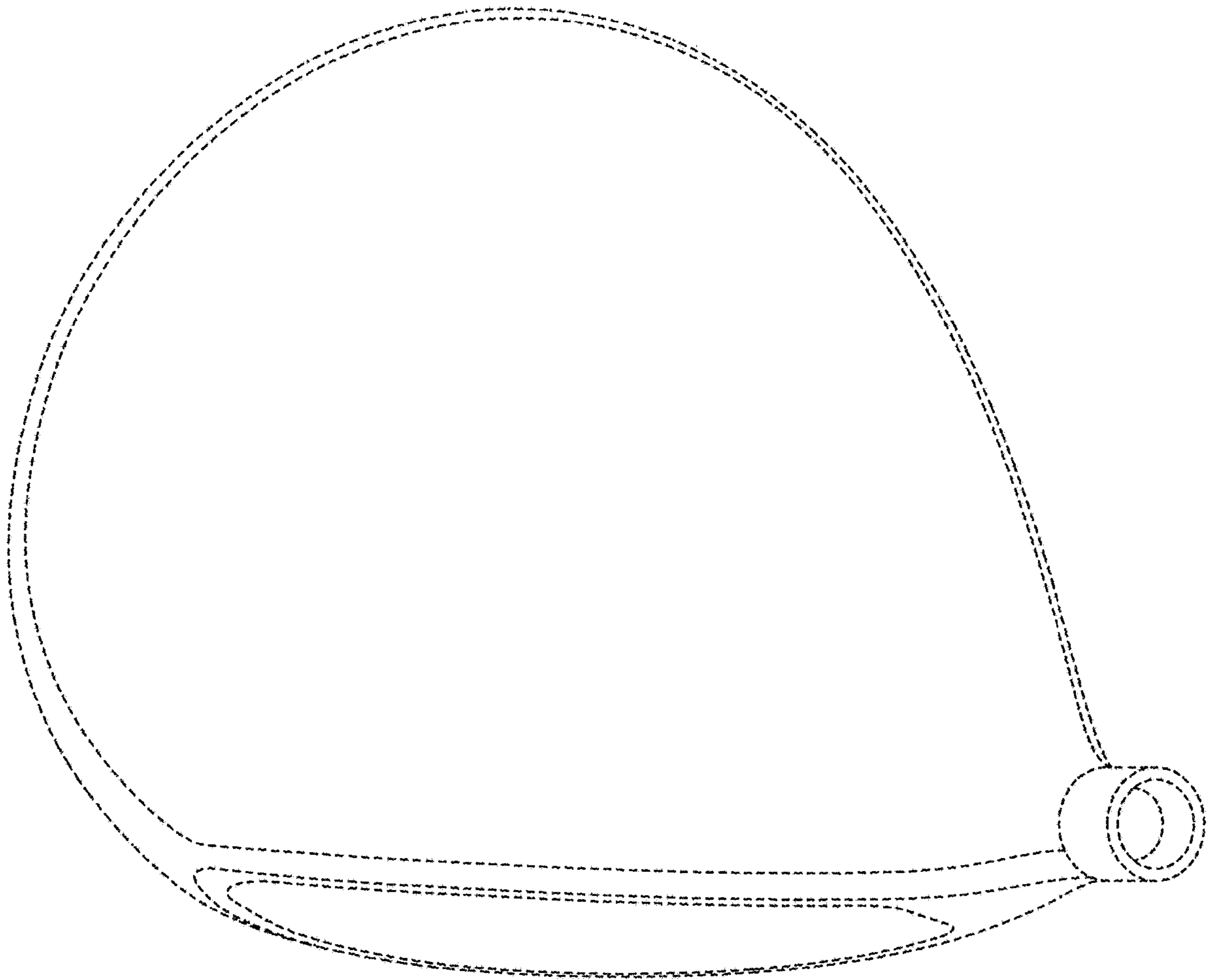


Fig. 2

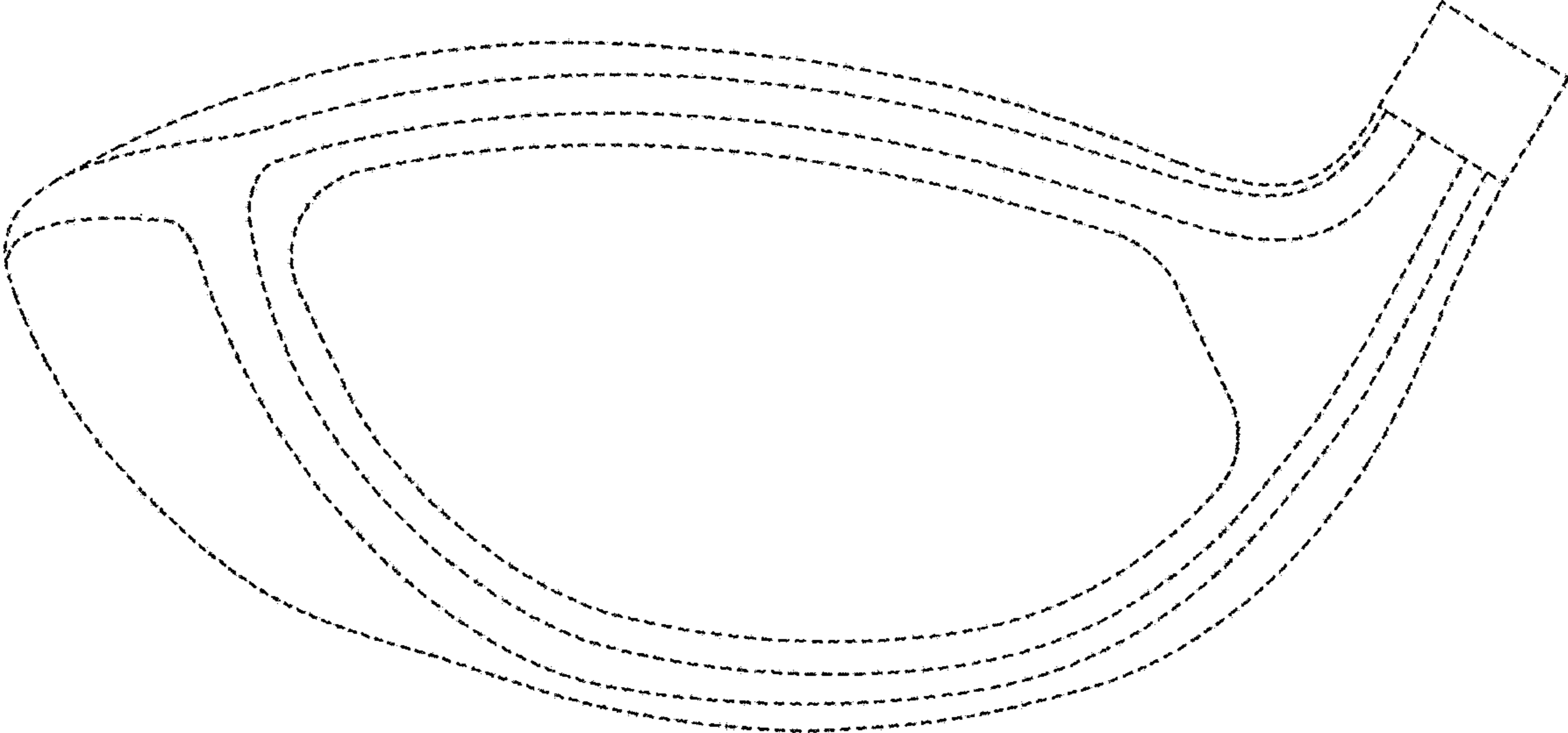


Fig. 3

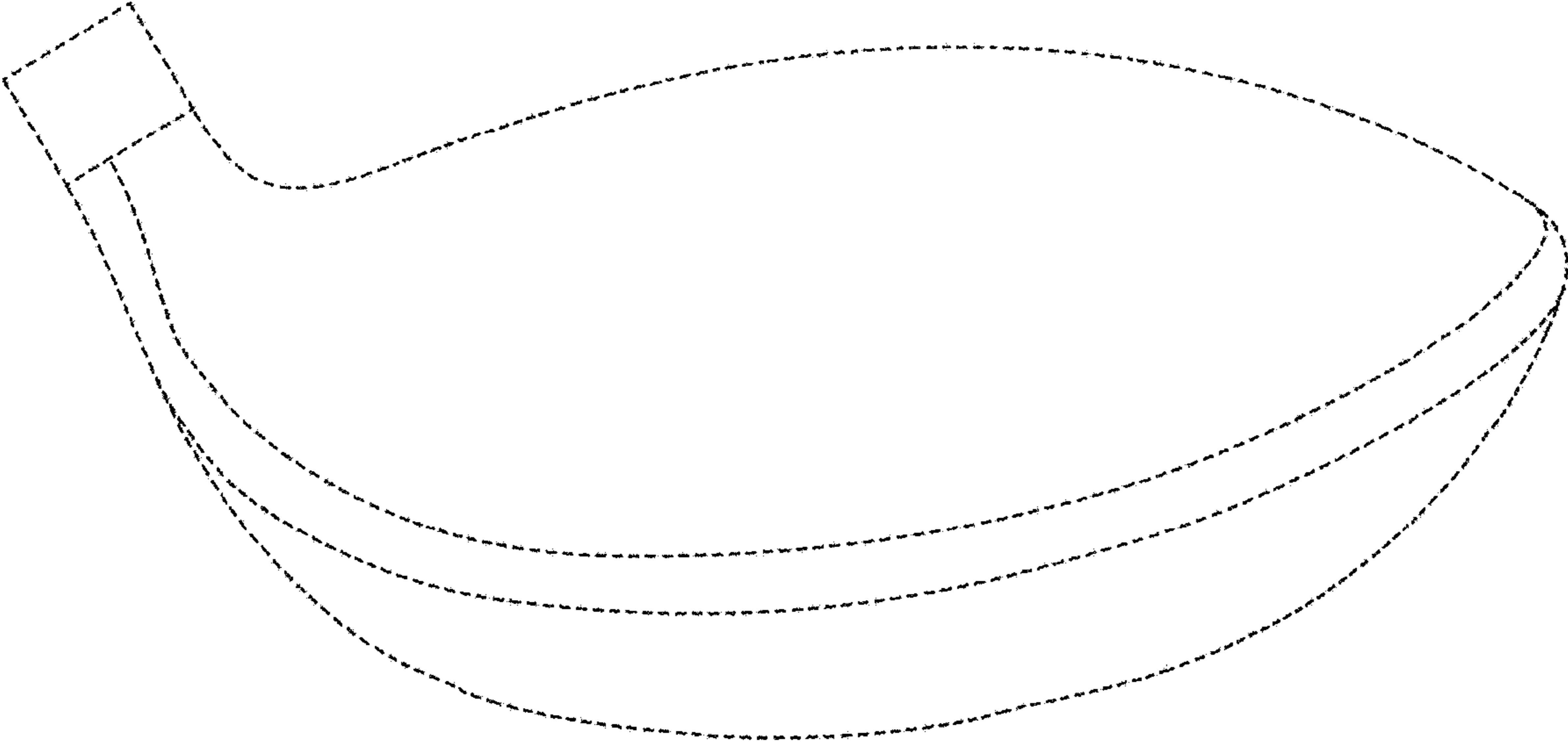


Fig. 4

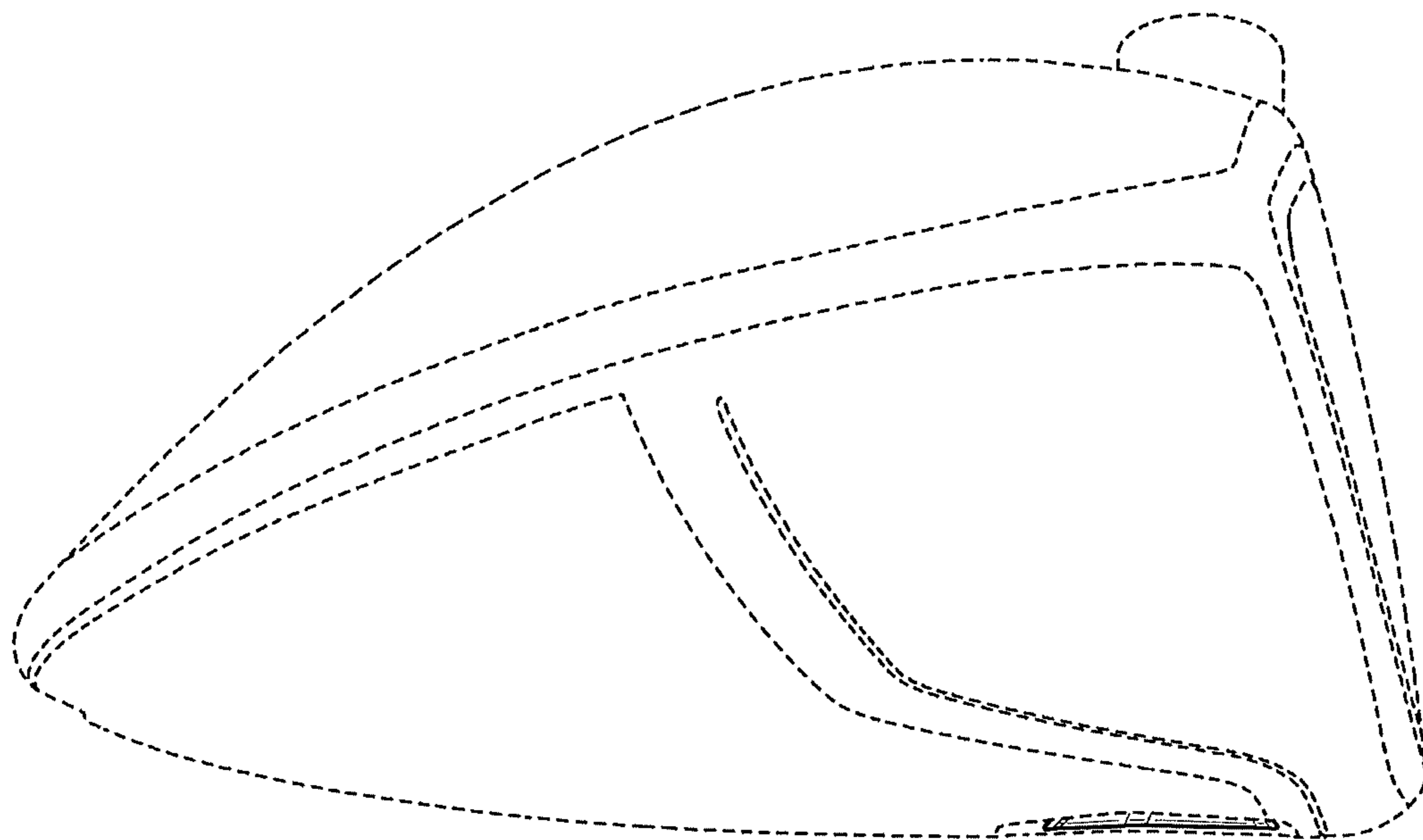


Fig. 5

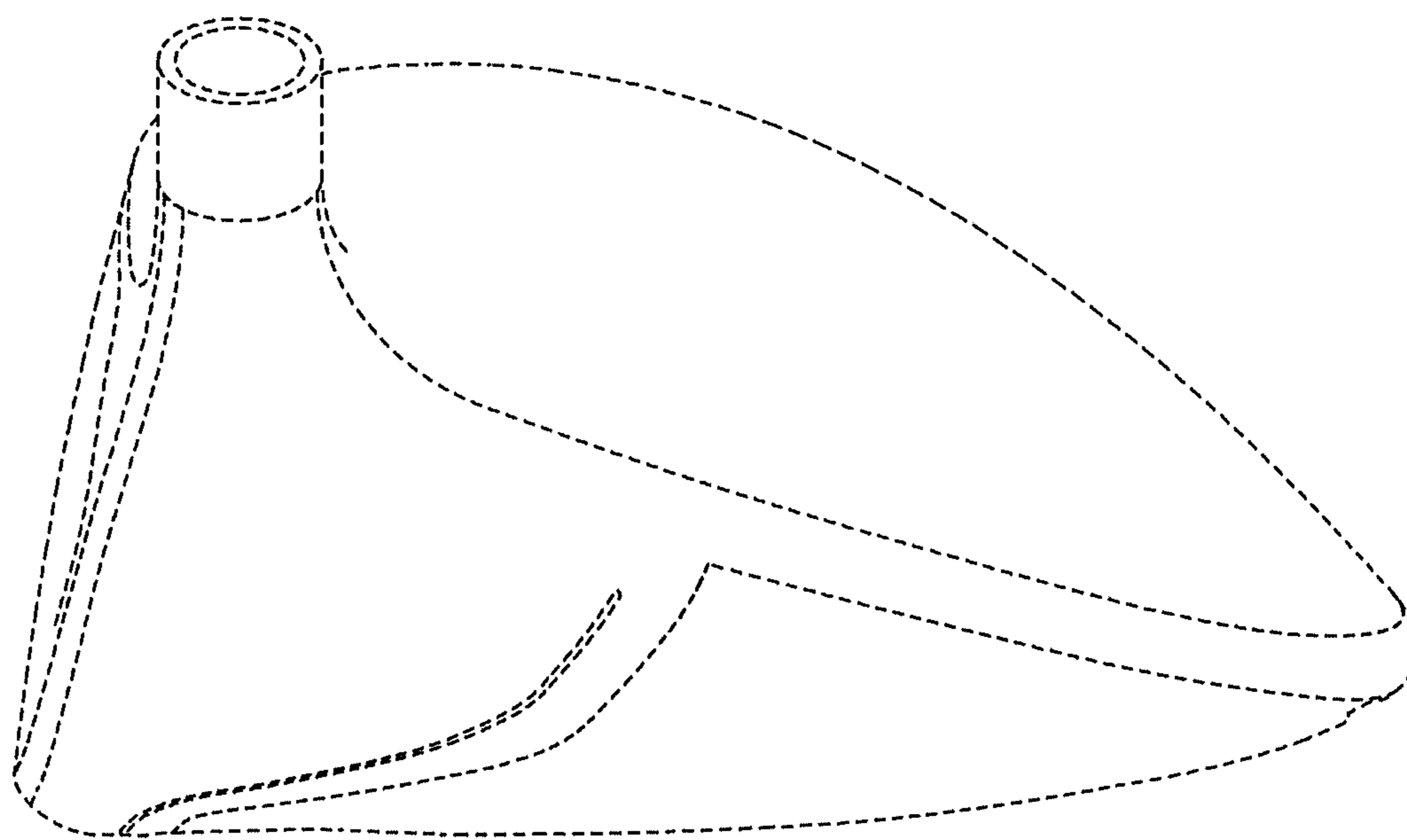


Fig. 6

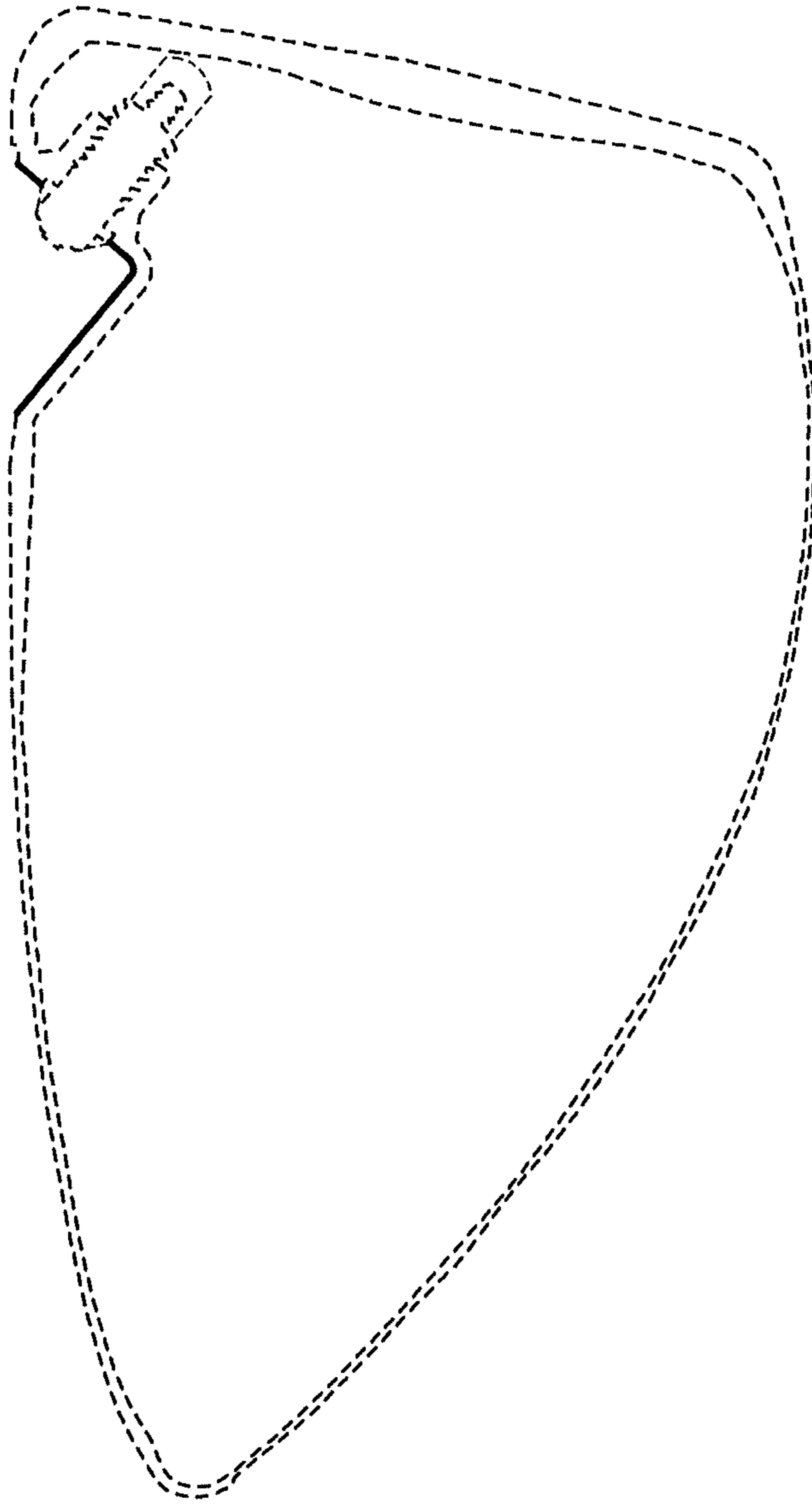


Fig. 7