



US00D919723S

(12) **United States Design Patent**
Herber

(10) **Patent No.:** **US D919,723 S**

(45) **Date of Patent:** **** *May 18, 2021**

(54) **GOLF CLUB**

(71) Applicant: **Paul Herber**, Temecula, CA (US)

(72) Inventor: **Paul Herber**, Temecula, CA (US)

(*) Notice: This patent is subject to a terminal disclaimer.

(**) Term: **15 Years**

(21) Appl. No.: **29/649,195**

(22) Filed: **May 28, 2018**

(51) **LOC (13) Cl.** **21-02**

(52) **U.S. Cl.**
USPC **D21/747**

(58) **Field of Classification Search**
USPC D21/733-752, 759
CPC A63B 53/00; A63B 53/02; A63B 53/04;
A63B 53/047; A63B 53/0475; A63B
2053/0479; A63B 2053/0483; A63B
2053/0445; A63B 60/00; A63B 60/46
See application file for complete search history.

D307,931 S *	5/1990	Doran	D21/735
4,930,781 A *	6/1990	Allen	A63B 53/04 473/346
D309,765 S *	8/1990	Pelz	D21/735
D309,766 S *	8/1990	Pelz	D21/735
D314,029 S *	1/1991	Allen	D21/733
D314,412 S *	2/1991	Nelson	D21/735
D317,034 S *	5/1991	Pelz	D21/735
D317,962 S *	7/1991	Pelz	D21/735
5,160,136 A *	11/1992	Eger	A63B 53/04 473/291
D350,582 S *	9/1994	Miansian	D21/742
D393,031 S *	3/1998	Cameron	D21/745
D527,063 S *	8/2006	Marhesani	D21/735
D678,441 S *	3/2013	Jones	D21/742
D689,967 S *	9/2013	Jones	D21/742
D689,968 S *	9/2013	Jones	D21/742

* cited by examiner

Primary Examiner — Mitchell I. Siegel

(57) **CLAIM**

I claim the ornamental design for a golf club, as shown and described.

DESCRIPTION

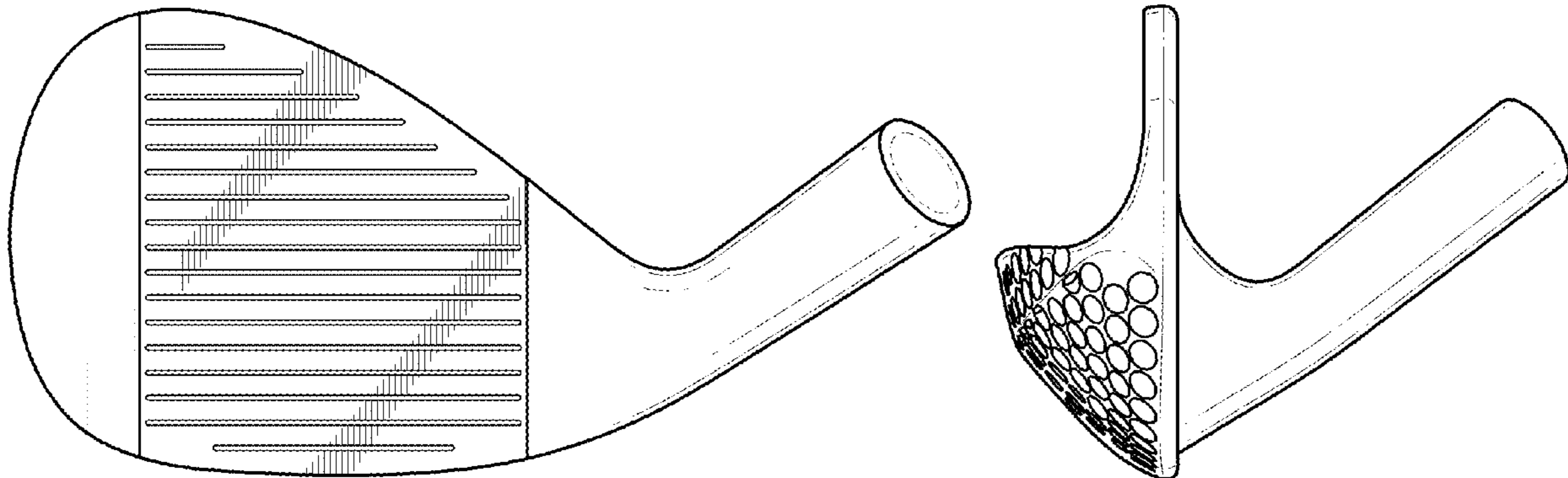
FIG. 1 is a front view of the golf club.
FIG. 2 is a side view of the golf club.
FIG. 3 is a other side view of the golf club.
FIG. 4 is back view of the golf club.
FIG. 5 is a bottom view of the golf club.
FIG. 6 is a top view of the golf club; and,
FIG. 7 is a bottom oblique view of the golf club.
The broken lines shown are included for the purpose of illustrating unclaimed subject matter and forms no part of the claimed design.

1 Claim, 4 Drawing Sheets

(56) **References Cited**

U.S. PATENT DOCUMENTS

3,408,074 A *	10/1968	Antonious	A63B 53/0487 473/249
3,847,399 A *	11/1974	Raymont	A63B 53/04 473/350
D234,608 S *	3/1975	Raymont	D21/748
D241,563 S *	9/1976	McCord	D21/735
D245,442 S *	8/1977	Becker	473/253
4,809,977 A *	3/1989	Doran	A63B 53/04 473/249
4,809,981 A *	3/1989	Doran	A63B 69/3685 473/249
D307,309 S *	4/1990	Doran	D21/735



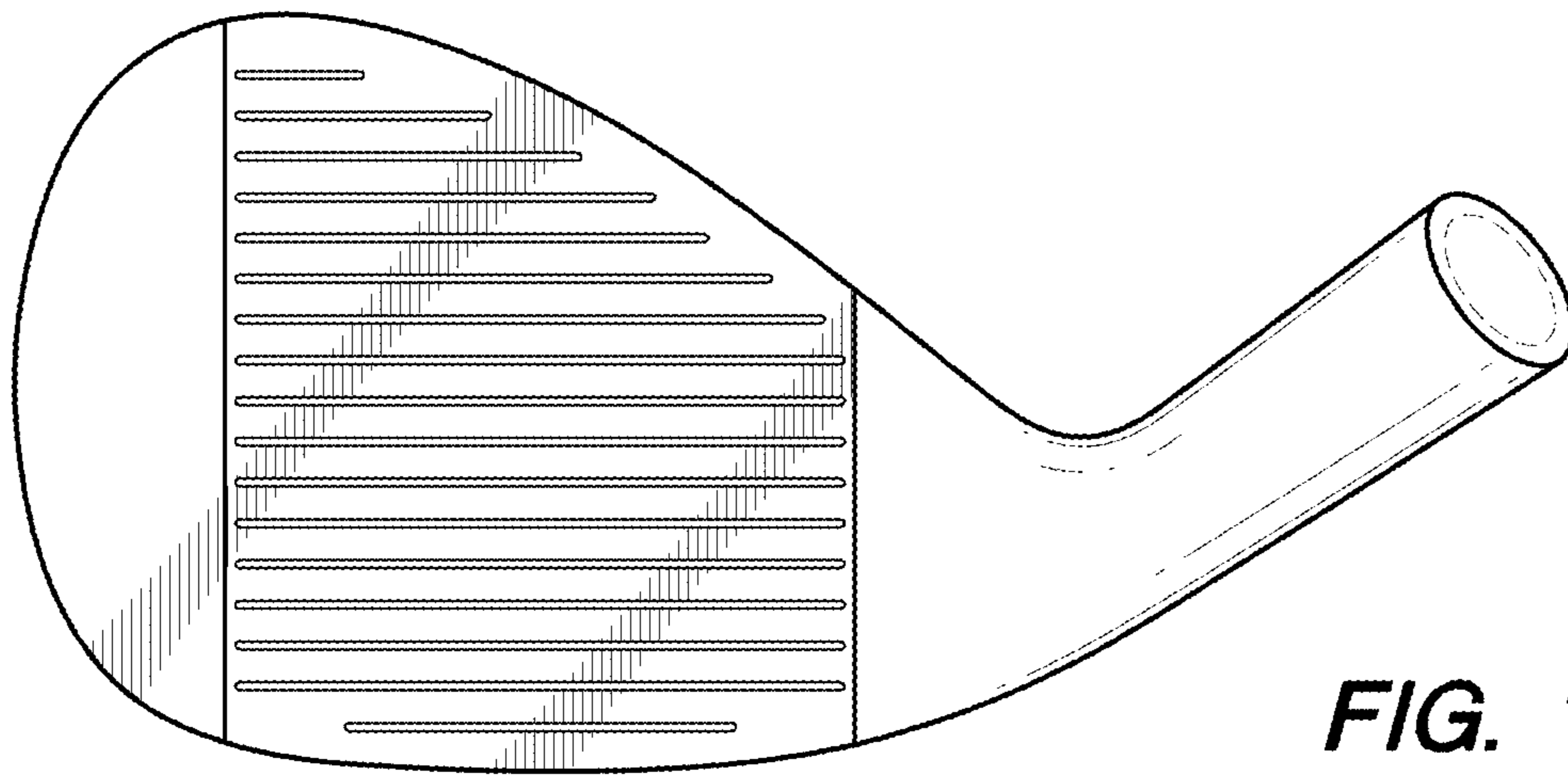


FIG. 1

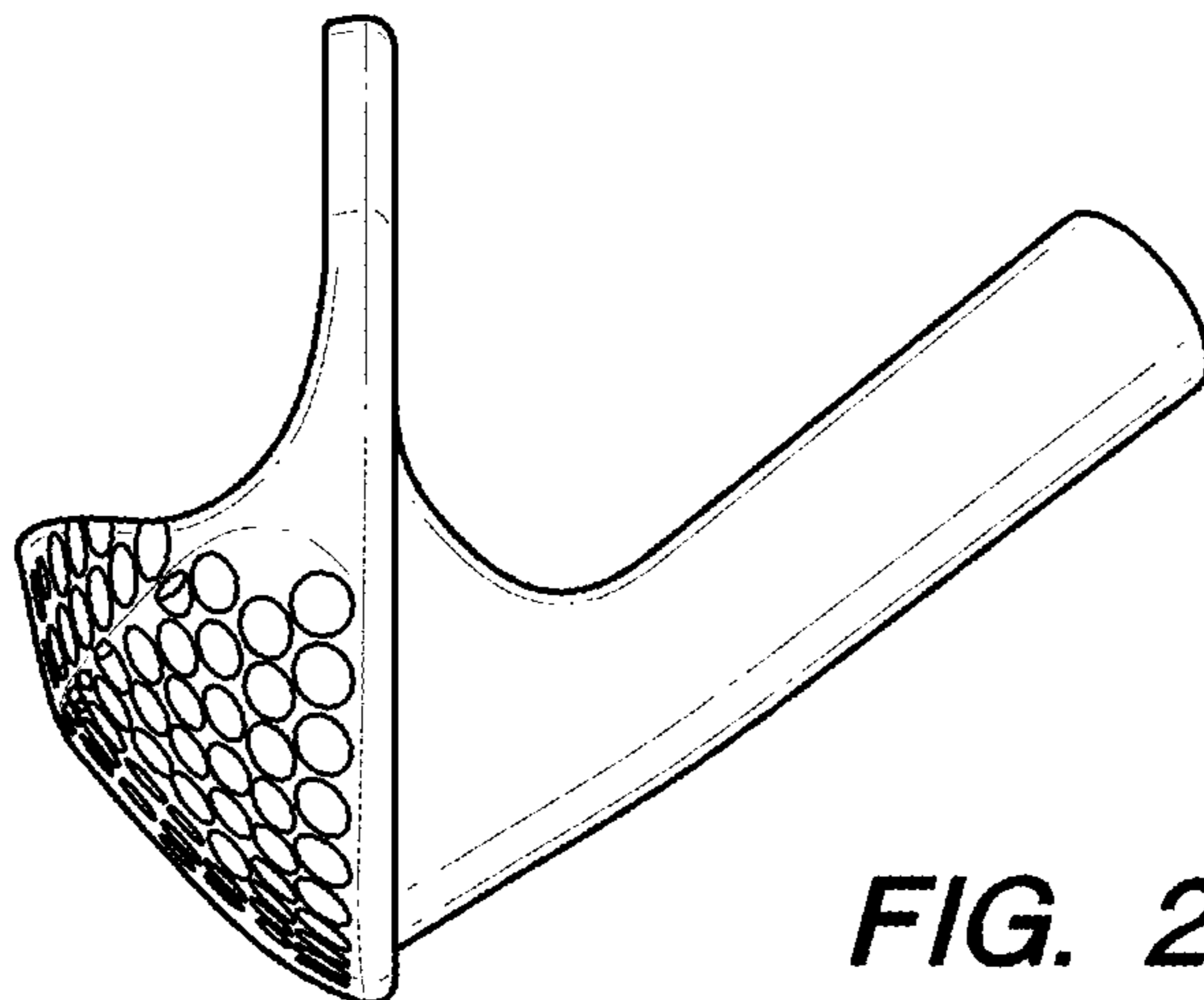


FIG. 2

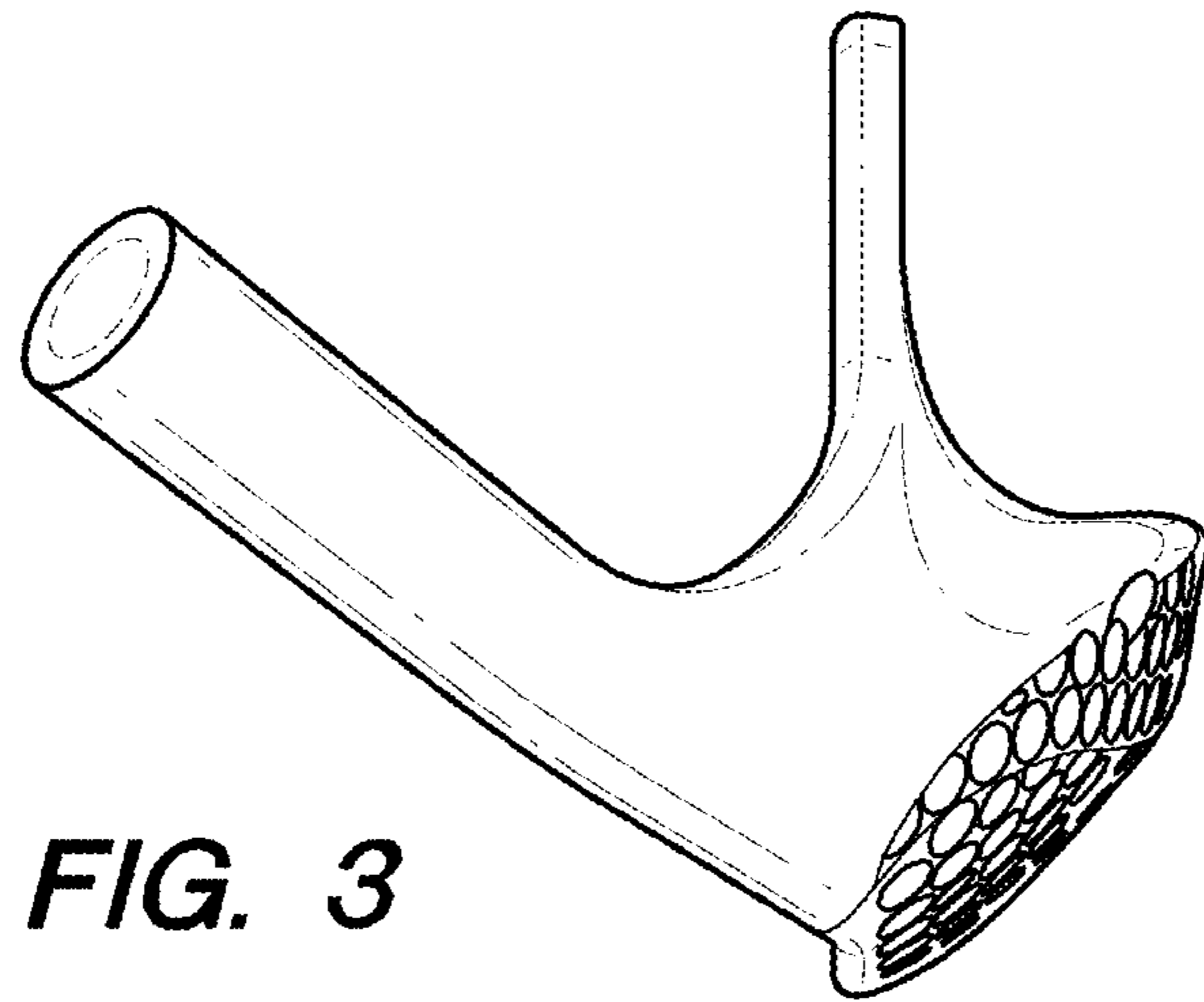


FIG. 3

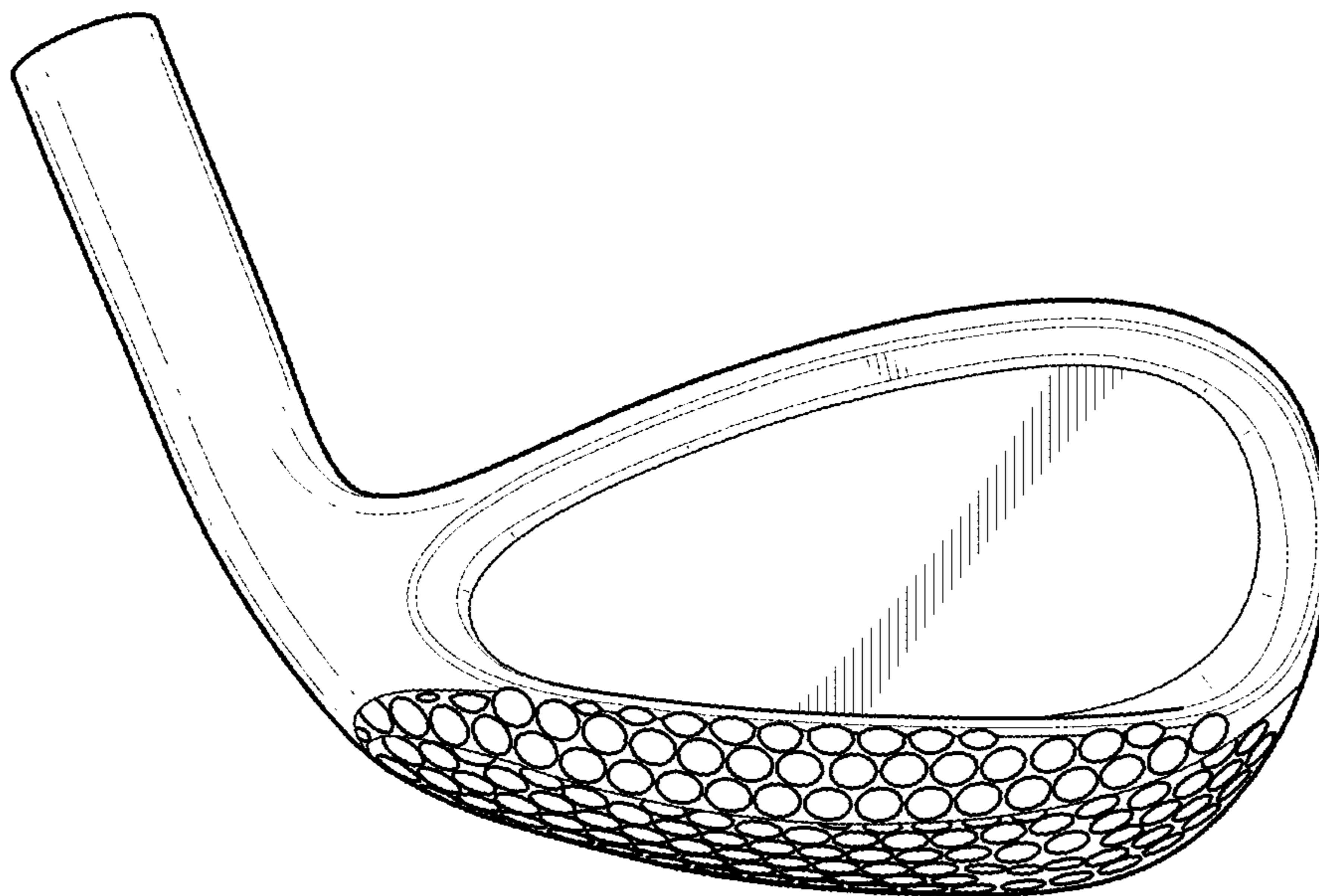


FIG. 4

FIG. 5

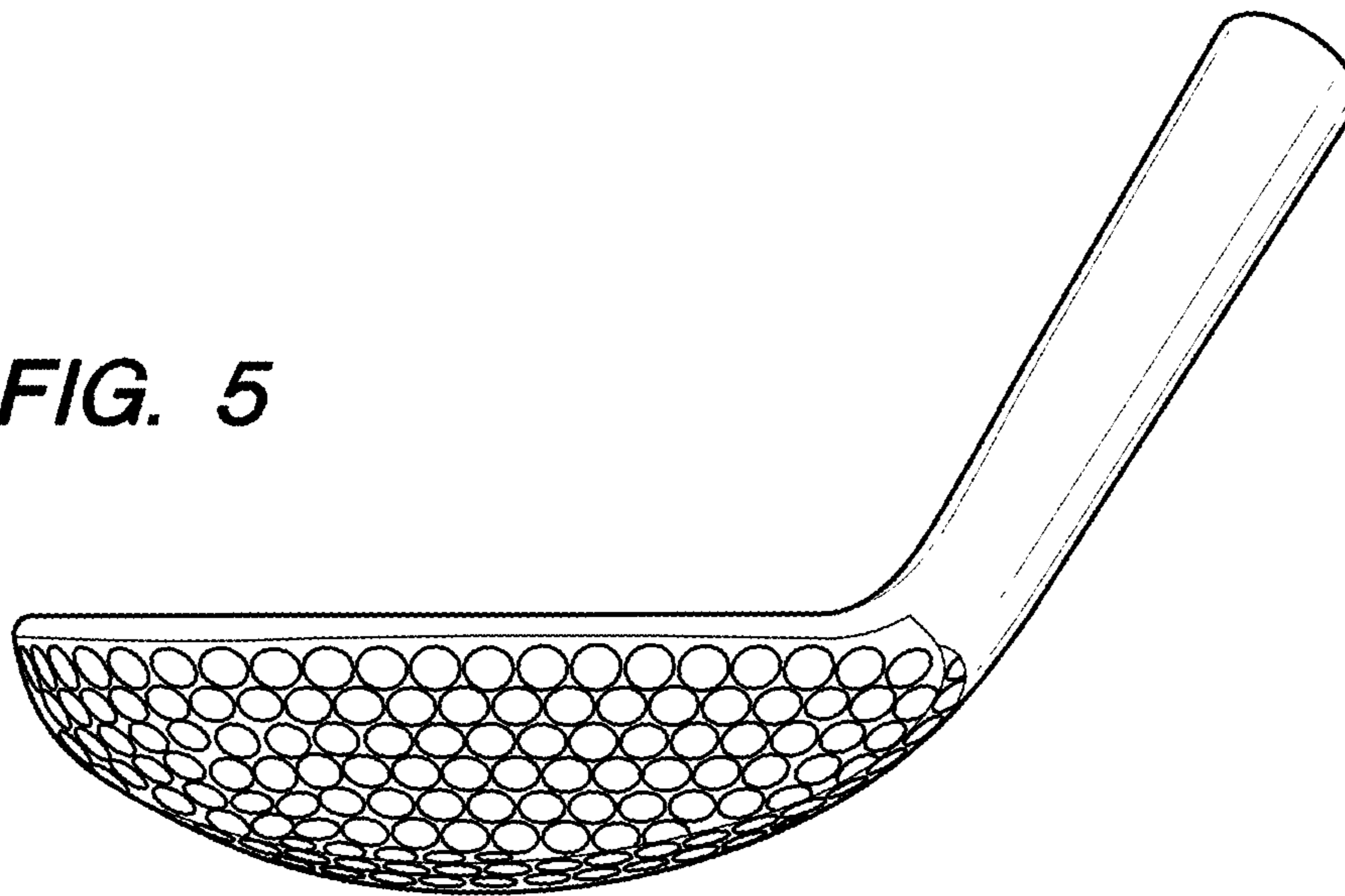
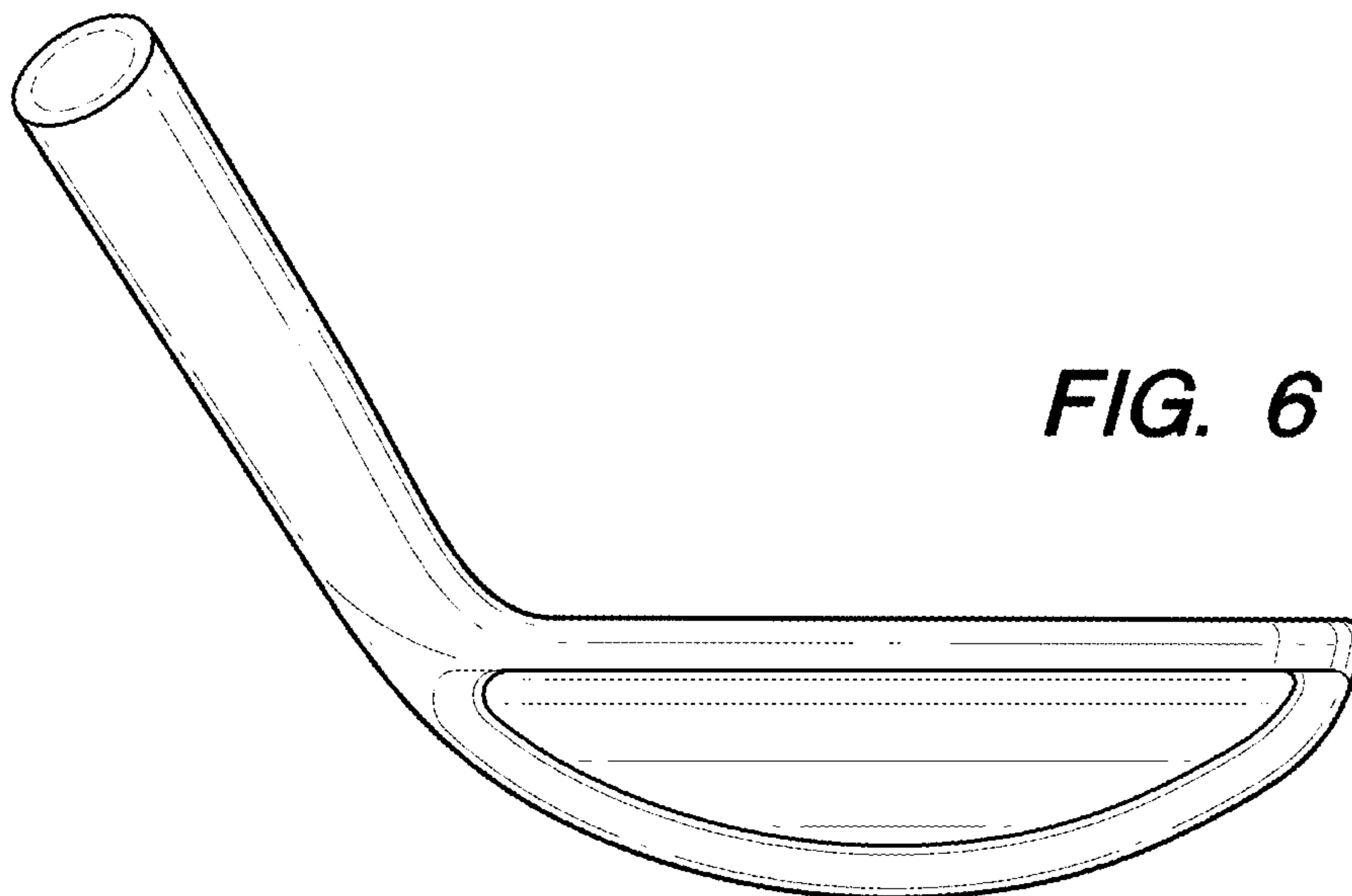


FIG. 6



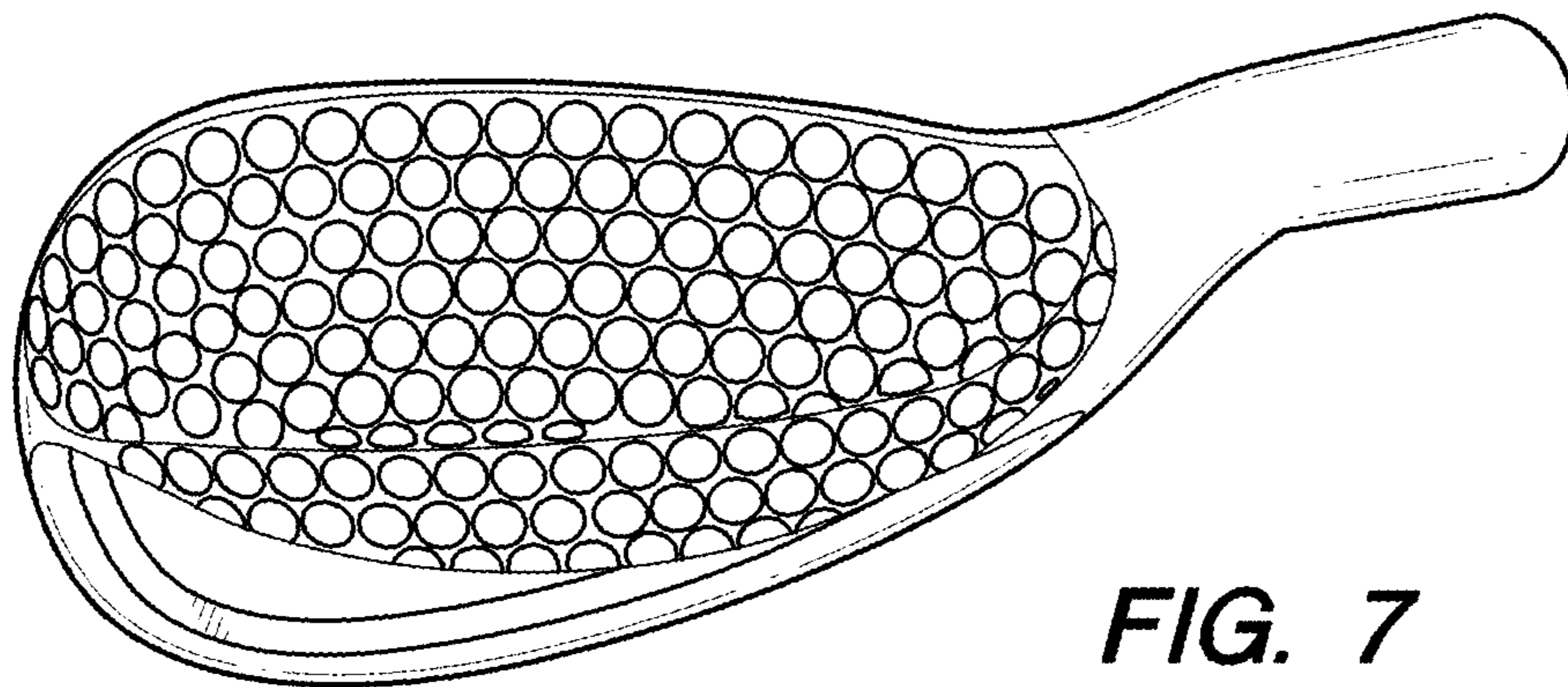


FIG. 7