



US00D919720S

(12) **United States Design Patent**
Liu

(10) **Patent No.:** **US D919,720 S**

(45) **Date of Patent:** **** May 18, 2021**

(54) **PORTABLE PULL UP BAR**

(71) Applicant: **Jinji Liu**, Shenzhen (CN)

(72) Inventor: **Jinji Liu**, Shenzhen (CN)

(**) Term: **15 Years**

(21) Appl. No.: **29/738,730**

(22) Filed: **Jun. 19, 2020**

(51) **LOC (13) Cl.** **21-02**

(52) **U.S. Cl.**
USPC **D21/679**

(58) **Field of Classification Search**
USPC D21/694, 691, 679, 681, 686; D6/681.1;
482/38, 40, 131, 140, 93, 97
CPC A63B 21/4035; A63B 21/4047; A63B
21/0628; A63B 23/0211; A63B 23/03525;
A63B 21/068; A63B 23/1218; A63B
23/1209; A63B 1/00
See application file for complete search history.

(56) **References Cited**

U.S. PATENT DOCUMENTS

D210,469 S *	3/1968	Sejersen	D21/691
3,716,232 A *	2/1973	Johnson	A63B 1/005 482/40
4,258,895 A *	3/1981	Rorie	F16M 13/022 248/317
4,844,448 A *	7/1989	Niznik	A63B 21/04 482/40
D337,139 S *	7/1993	Carreiro	D21/687
5,429,571 A *	7/1995	Smith	A63B 21/018 482/114
5,776,033 A *	7/1998	Brown	A63B 1/00 248/317
6,508,743 B1 *	1/2003	Fortin	A63B 1/00 482/38
D518,534 S *	4/2006	Giordano	D21/662

D580,998 S *	11/2008	Lin	D21/686
D846,664 S *	4/2019	Martinez	D21/662
10,376,727 B2 *	8/2019	Fitzpatrick	A63B 21/00047
D868,910 S	12/2019	Huang		
D886,920 S	6/2020	Dunahay		
D890,269 S *	7/2020	Grant	D21/679
10,744,369 B2 *	8/2020	Abbott	A63B 21/4035
2013/0072365 A1 *	3/2013	Ross	A63B 23/1236 482/141
2013/0165298 A1 *	6/2013	Demsey	A63B 7/02 482/40
2016/0256720 A1 *	9/2016	Grant	A63B 21/1627
2016/0303419 A1 *	10/2016	Karpachevskyy	A63B 21/1636

OTHER PUBLICATIONS

CrossGrips by Jayflex dated no date found. Found online [Sep. 17, 2020] <https://www.jayflexfitness.com/products/crossgrips>.*

(Continued)

Primary Examiner — Ryan Harvey

(74) *Attorney, Agent, or Firm* — Runit Ranjit Kanakia

(57) **CLAIM**

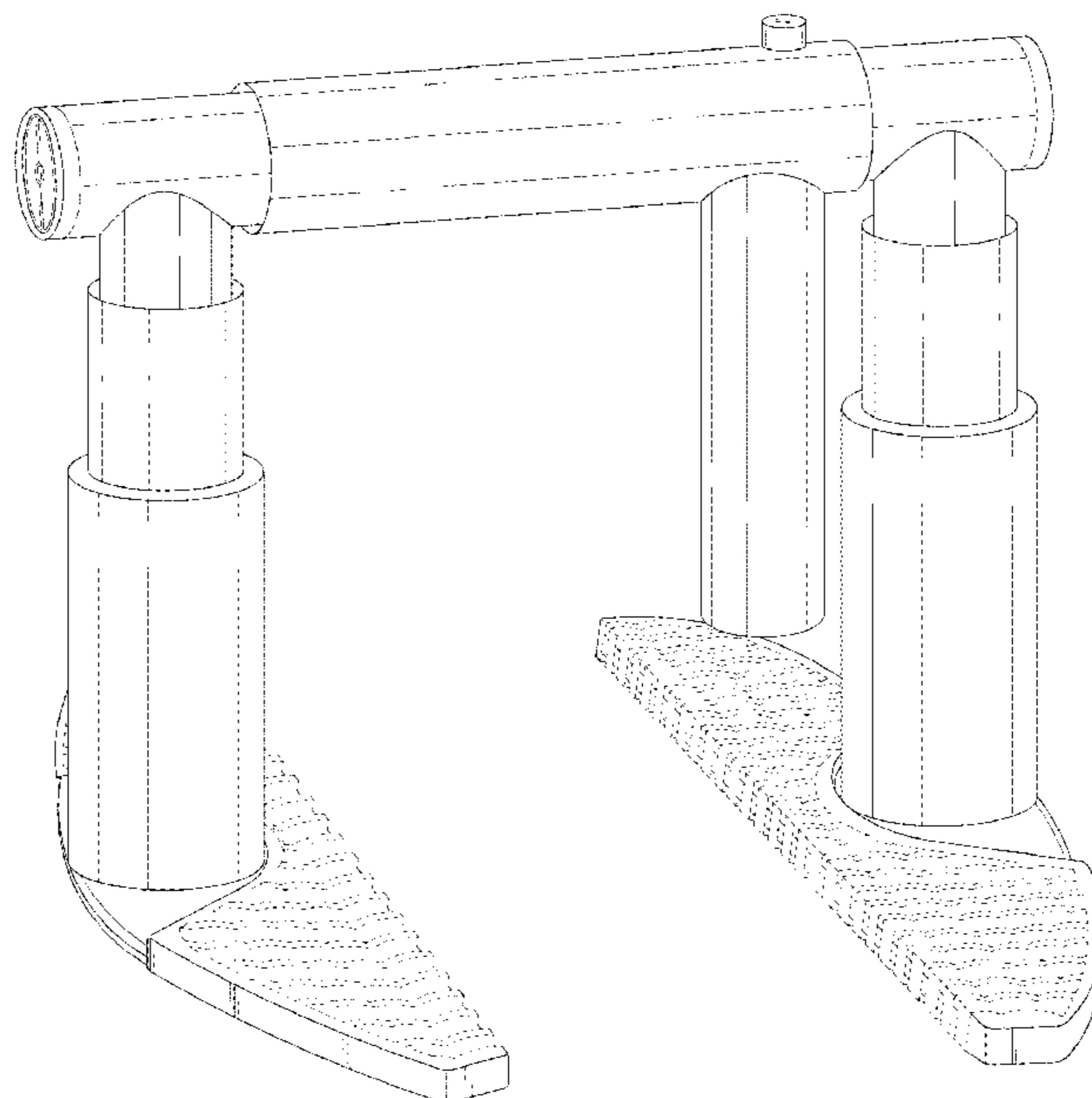
I claim the ornamental design for a portable pull up bar, as shown and described.

DESCRIPTION

FIG. 1 is a Perspective view of a portable pull up bar showing my new design in open position; FIG. 2 is a Front view thereof; FIG. 3 is a Back side view thereof; FIG. 4 is a Right-side view thereof; FIG. 5 is a Left-side view thereof; FIG. 6 is a Top view thereof; and, FIG. 7 is a Bottom thereof.

The broken lines are for the purpose of illustrating portions of the article that form no part of the claim.

1 Claim, 7 Drawing Sheets



(56)

References Cited

OTHER PUBLICATIONS

Chriffer by Chriffer dated Aug. 15, 2020. Found online [Sep. 17, 2020] https://www.amazon.com/Chriffer-Handles-Upgraded-Doorframe-Hardware/dp/B086WG27XT/ref=cm_cr_ar_p_d_product_top?ie=UTF8 (Year: 2020).*

Eleviia by Duonamic dated no date found. Found online [Sep. 17, 2020] <https://www.duonamic.com/ourshop/>.*

Ryze-Ups by kickstarter dated Oct. 2017. Found online [Sep. 17, 2020] <https://www.kickstarter.com/projects/ryze-ups/ryze-ups-the-modern-pull-up-bar> (Year: 2017).*

* cited by examiner

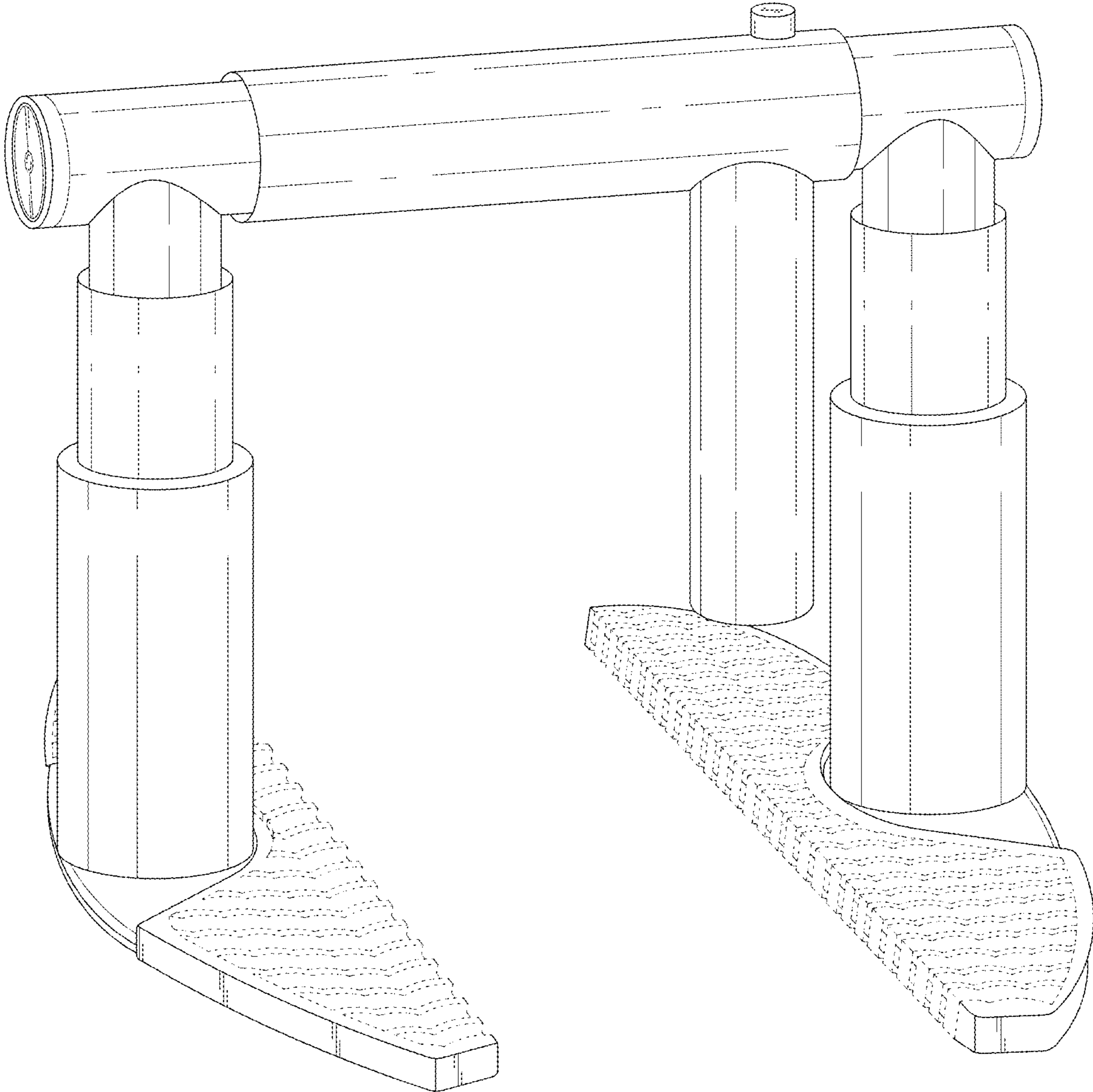


FIG. 1

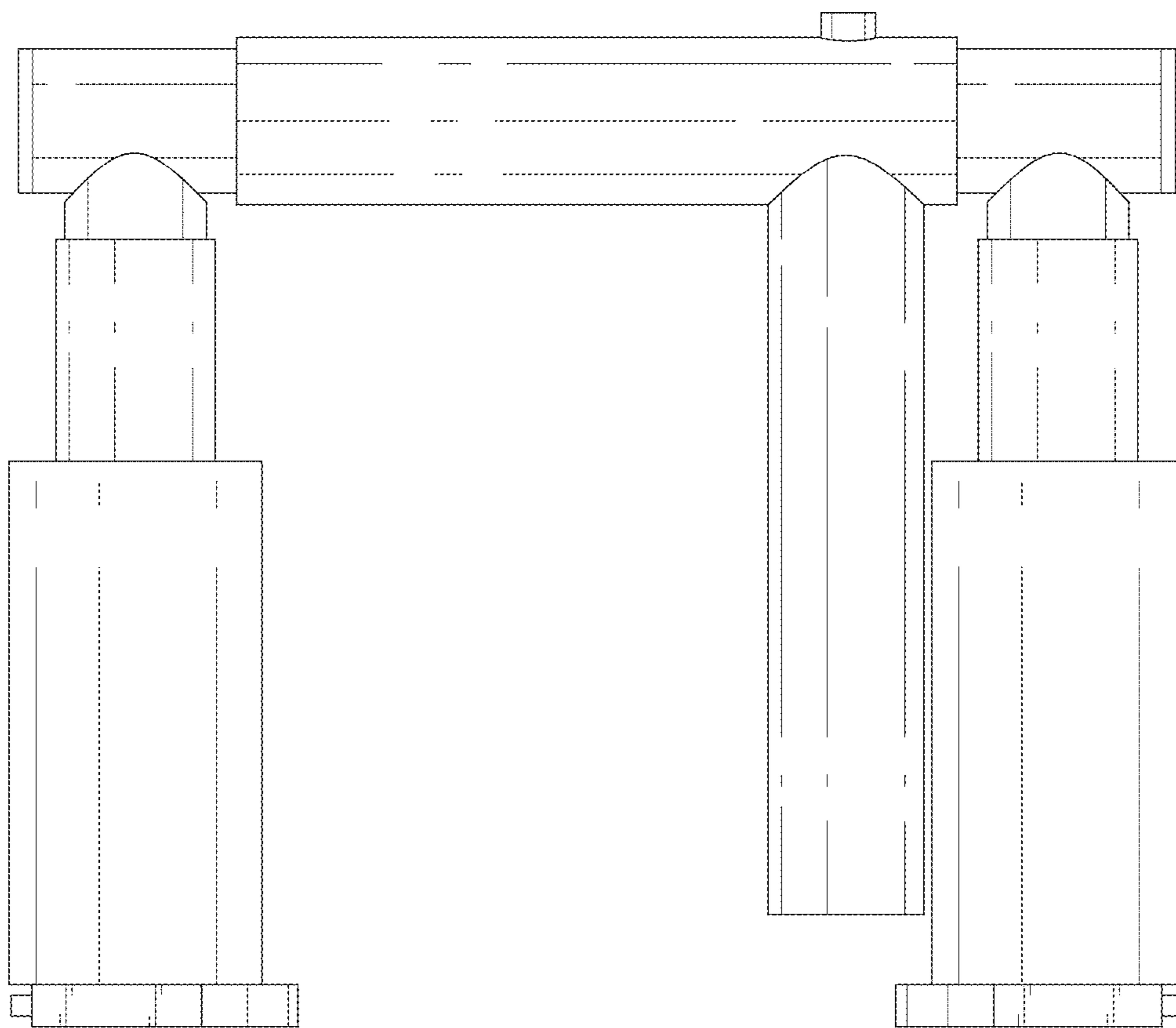


FIG. 2

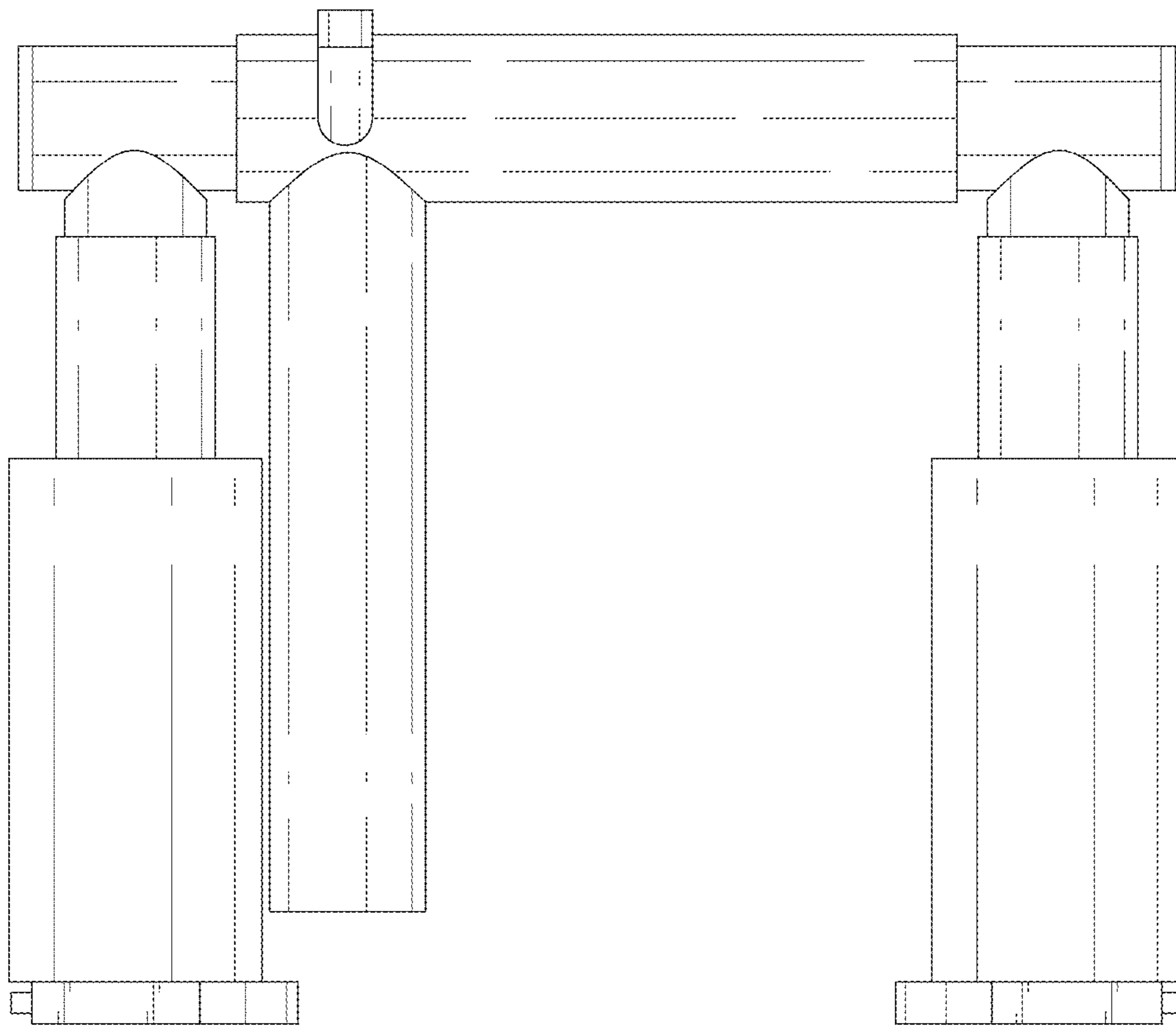


FIG. 3

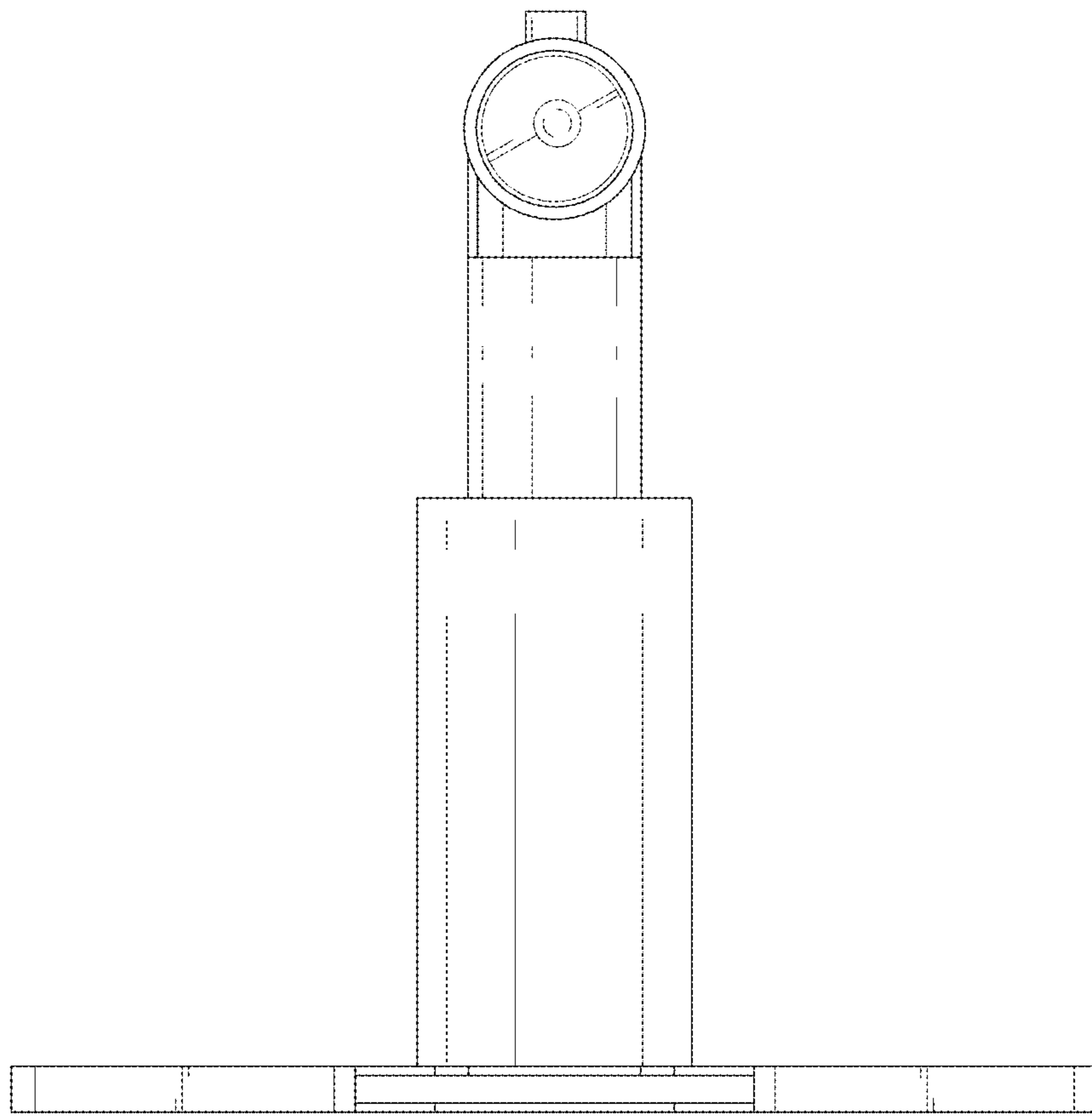


FIG. 4

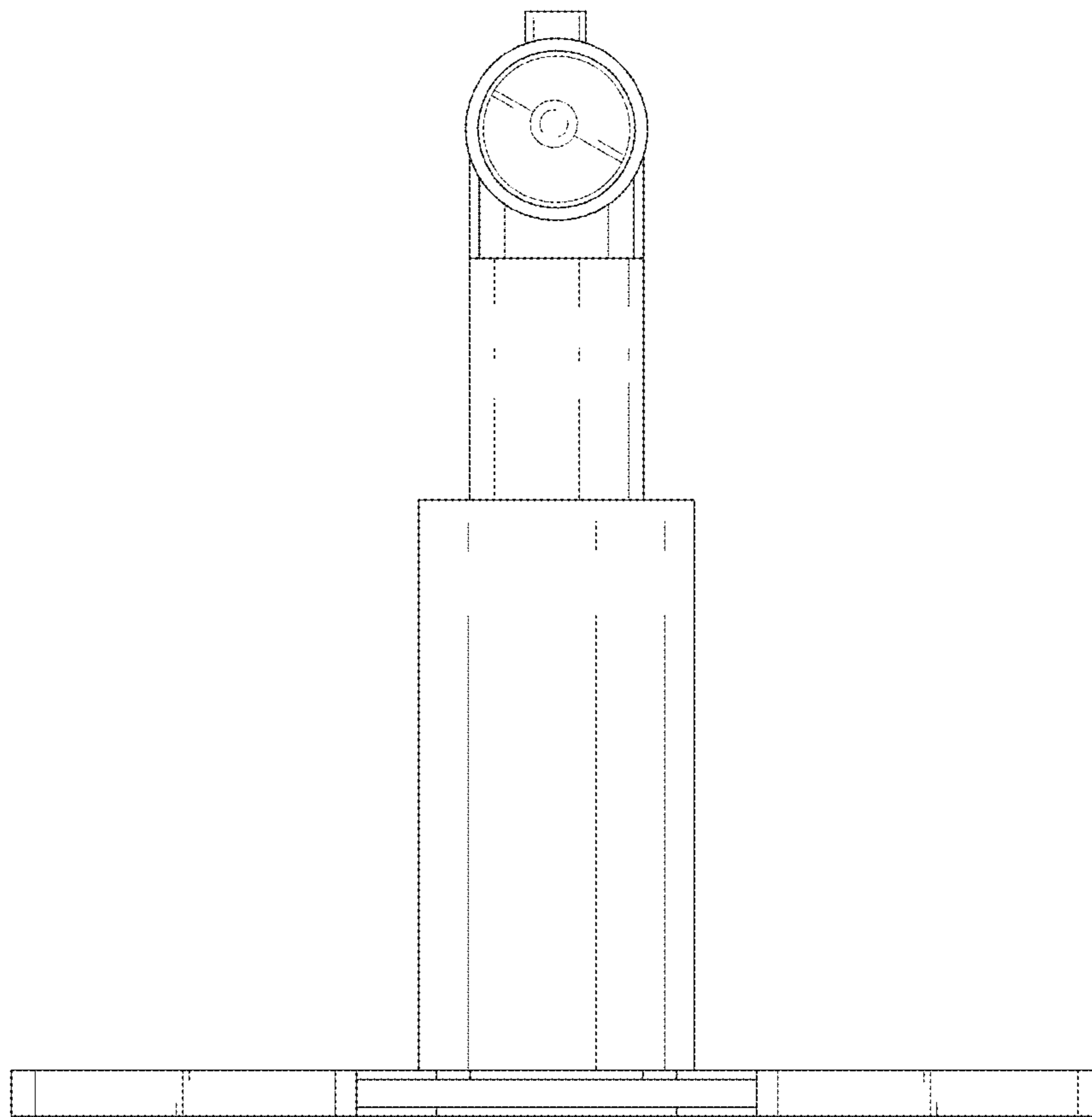


FIG. 5

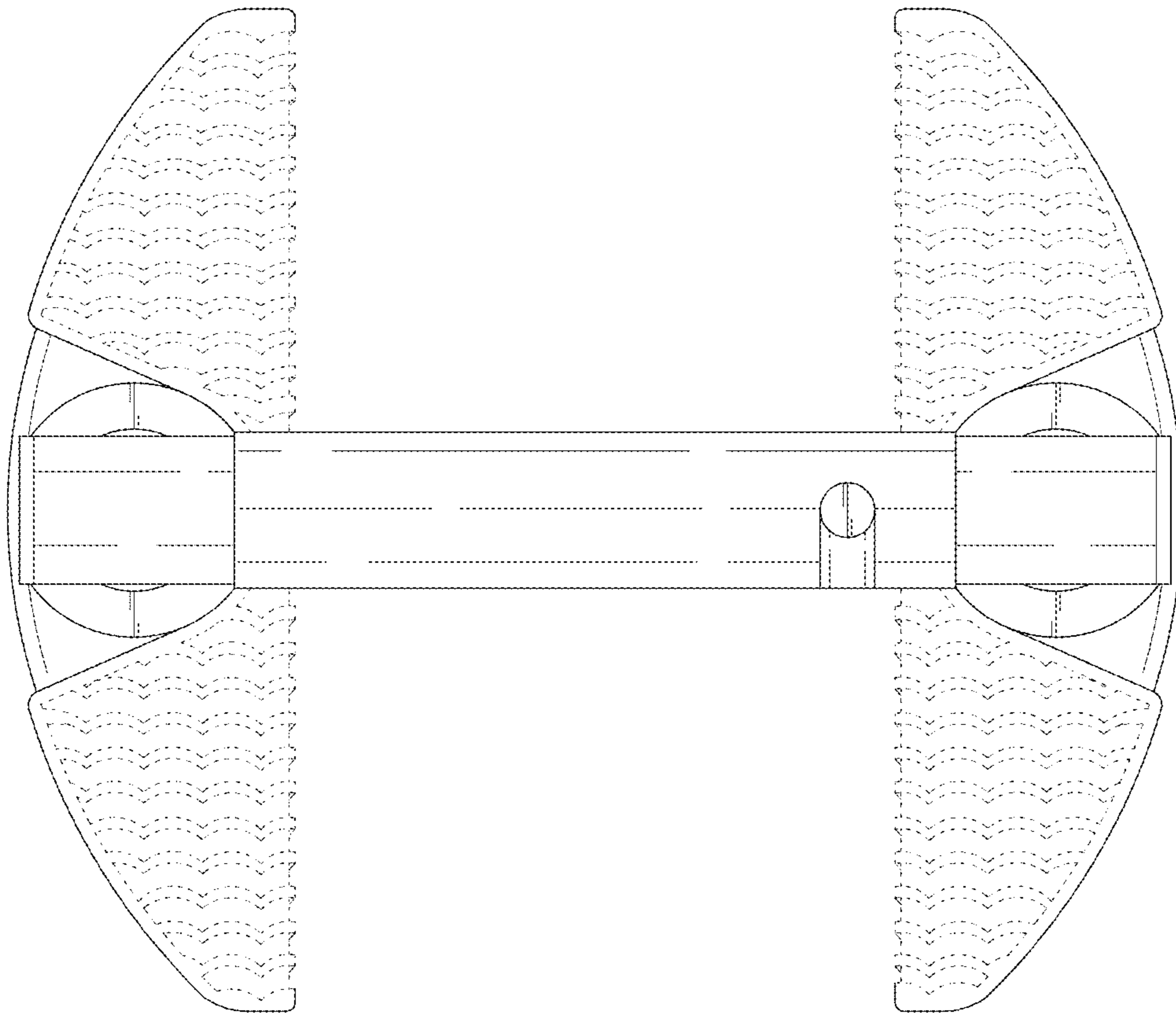


FIG. 6

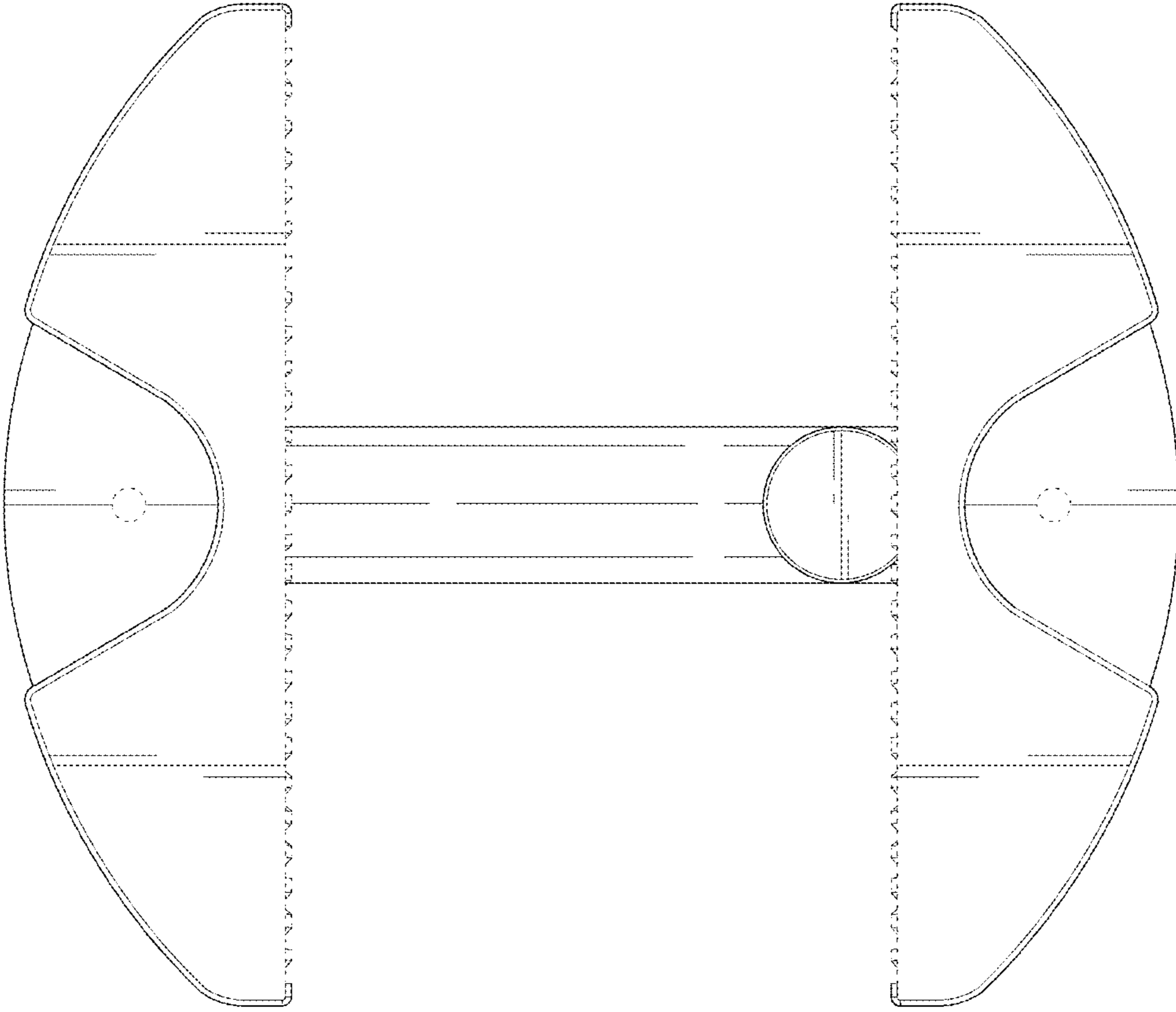


FIG. 7