



US00D919719S

(12) **United States Design Patent**  
**Ren**

(10) **Patent No.:** **US D919,719 S**

(45) **Date of Patent:** **\*\* May 18, 2021**

(54) **TREADMILL**  
(71) Applicant: **XIAMEN RENHE SPORTS EQUIPMENT CO., LTD.**, Xiamen (CN)  
(72) Inventor: **Yang-Jie Ren**, Xiamen (CN)  
(73) Assignee: **Xiamen Renhe Sports Equipment Co., Ltd.**, Fujian (CN)

(\*\*) Term: **15 Years**  
(21) Appl. No.: **29/699,098**  
(22) Filed: **Jul. 23, 2019**

(30) **Foreign Application Priority Data**  
Jan. 23, 2019 (CN) ..... 201930036123.4

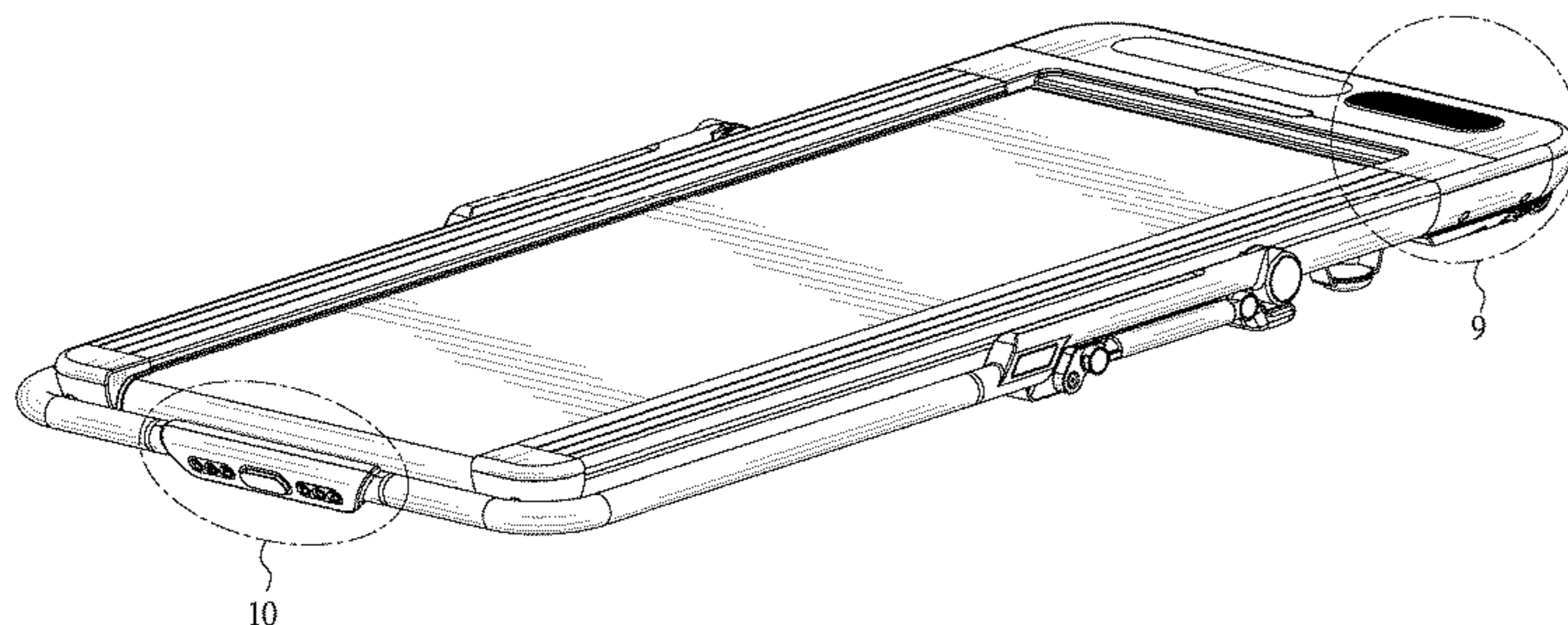
(51) **LOC (13) Cl.** ..... **21-02**  
(52) **U.S. Cl.**  
USPC ..... **D21/669**

(58) **Field of Classification Search**  
USPC ..... 482/54, 2, 51, 8, 70, 146; D21/668, 669; 198/439, 456; D30/160; 601/35, 23, 5, 601/34  
CPC . A63B 22/02; A63B 22/0023; A63B 22/0235; A63B 2210/50; A63B 22/0285; A63B 22/0242; A63B 2022/025; A63B 2225/30; A63B 2022/0214; A63B 2220/13; A63B 2022/0228; A63B 2210/56; A63B 2024/0093; A63B 2022/0207; A63B 22/0012; A63B 22/0257; A61H 3/008; A61H 1/0262; A61H 2201/164; A01K 15/027

See application file for complete search history.

(56) **References Cited**  
**U.S. PATENT DOCUMENTS**  
4,151,988 A \* 5/1979 Nabinger ..... A63B 22/02 188/72.9  
D280,002 S \* 8/1985 Smith ..... D21/669

4,614,336 A \* 9/1986 Taitel ..... A63B 21/015 482/54  
4,757,987 A \* 7/1988 Allemand ..... A63B 22/02 482/54  
4,776,582 A \* 10/1988 Ramhorst ..... A63B 22/0023 482/54  
D303,557 S \* 9/1989 Kiiski ..... D21/669  
D304,849 S \* 11/1989 Watterson ..... D21/669  
D306,468 S \* 3/1990 Watterson ..... D21/669  
D306,891 S \* 3/1990 Watterson ..... D21/669  
5,018,722 A \* 5/1991 Whitmore ..... A63B 22/02 482/54  
5,029,801 A \* 7/1991 Dalebout ..... A63B 22/0023 248/649  
D325,951 S \* 5/1992 Johnson ..... D21/669  
D344,557 S \* 2/1994 Ashby ..... 482/54  
D348,494 S \* 7/1994 Ashby ..... D21/694  
5,378,213 A \* 1/1995 Quint ..... A63B 22/02 198/849  
D355,227 S \* 2/1995 Summers ..... D21/669  
D369,843 S \* 5/1996 Wang ..... D21/669  
D374,260 S \* 10/1996 Snyderman ..... D21/669  
5,607,375 A \* 3/1997 Dalebout ..... A63B 22/0023 482/51  
5,643,144 A \* 7/1997 Trulaske ..... A63B 22/02 198/841  
5,711,745 A \* 1/1998 Yang ..... A63B 22/02 482/51  
D393,297 S \* 4/1998 McBride ..... D21/669  
5,746,682 A \* 5/1998 Hung ..... A63B 22/02 482/51  
5,816,981 A \* 10/1998 Hung ..... A63B 22/02 482/54  
5,904,637 A \* 5/1999 Kuo ..... A63B 22/02 482/54  
D413,366 S \* 8/1999 Husted ..... D21/668  
D414,518 S \* 9/1999 Wang ..... D21/669  
D416,298 S \* 11/1999 Onuma ..... D21/669  
6,042,514 A \* 3/2000 Abelbeck ..... A63B 22/02 198/439  
D424,137 S \* 5/2000 Barker ..... D21/669  
6,179,753 B1 \* 1/2001 Barker ..... A63B 22/0235 482/51  
6,234,937 B1 \* 5/2001 Yu ..... A63B 22/02 482/54  
6,302,826 B1 \* 10/2001 Lee ..... A63B 22/02 482/51  
6,390,955 B1 \* 5/2002 Wang ..... A63B 22/02 482/54  
6,394,933 B1 \* 5/2002 Yu ..... A63B 22/02 482/54  
D458,654 S \* 6/2002 Kiiski ..... D21/669



# US D919,719 S

Page 2

D464,690	S *	10/2002	San-Ching .....	D21/669	2013/0231219	A1 *	9/2013	Huang .....	A63B 22/0023
D465,250	S *	11/2002	San-Ching .....	D21/669					482/54
6,527,678	B1 *	3/2003	Wang .....	A63B 22/0235	2014/0066263	A1 *	3/2014	Huang .....	A63B 24/0087
				482/51					482/54
D484,554	S *	12/2003	Hellman, Jr. ....	D21/669	2014/0076206	A1 *	3/2014	McCabe .....	A47B 57/30
6,663,540	B1 *	12/2003	Huang .....	A63B 22/02					108/5
				482/54					
6,685,599	B2 *	2/2004	Wang .....	A63B 22/02	2014/0113770	A1 *	4/2014	Yim .....	A63B 22/0023
				482/54					482/8
6,761,669	B1 *	7/2004	Pan .....	A63B 22/02	2014/0121066	A1 *	5/2014	Huang .....	A63B 22/02
				482/51					482/54
D494,234	S *	8/2004	Sporie .....	D21/669	2014/0221167	A1 *	8/2014	Wu .....	A63B 22/0235
6,786,853	B2 *	9/2004	Wu .....	A63B 22/0257					482/54
				482/54	2014/0274579	A1 *	9/2014	Olson .....	A63B 22/0023
D500,348	S *	12/2004	Parise .....	D21/669					482/54
6,860,838	B2 *	3/2005	Fox .....	A63B 22/0235	2016/0096064	A1 *	4/2016	Gatti .....	A63B 22/02
				193/35 J					482/54
6,884,201	B2 *	4/2005	Wu .....	A63B 22/0023	2016/0279465	A1 *	9/2016	Chang .....	A63B 22/02
				482/54	2016/0287930	A1 *	10/2016	Moser .....	A63B 22/0207
6,887,185	B1 *	5/2005	Kuo .....	A63B 22/02	2016/0346618	A1 *	12/2016	Ashby .....	G09B 19/0038
				482/54	2017/0113093	A1 *	4/2017	Bellavista .....	A63B 22/0023
7,367,926	B2 *	5/2008	Clark .....	A63B 22/0235	2017/0333747	A1 *	11/2017	Athey .....	A63B 22/0228
				482/54	2017/0333751	A1 *	11/2017	Seol .....	A63B 24/0062
D607,067	S *	12/2009	Wu .....	D21/669	2018/0043207	A1 *	2/2018	Moser .....	A63B 22/0207
7,815,550	B2 *	10/2010	Watterson .....	A63B 22/02	2018/0126249	A1 *	5/2018	Consiglio .....	A63B 71/0619
				482/54	2018/0140903	A1 *	5/2018	Poure .....	A63B 24/0087
7,828,699	B2 *	11/2010	P'erez De Lazarraga .....	A63B 22/02	2019/0192952	A1 *	6/2019	Powell .....	A63B 22/0221
				482/54	2019/0290956	A1 *	9/2019	Ren .....	A63B 22/0235
				482/54					
D690,782	S *	10/2013	Perkins .....	D21/669					
D704,778	S *	5/2014	Decommer .....	D21/669					
D707,763	S *	6/2014	Cutler .....	D21/669					
9,138,615	B2 *	9/2015	Olson .....	A63B 22/0023					
D751,156	S *	3/2016	Tasca .....	D21/669					
9,364,706	B2 *	6/2016	Lo .....	A63B 22/00					
D831,131	S *	10/2018	Zha .....	D21/669					
D859,543	S *	9/2019	Lisi .....	D21/669					
D888,845	S *	6/2020	Luo .....	D21/669					
D889,569	S *	7/2020	Luo .....	D21/669					
2001/0049323	A1 *	12/2001	Fox .....	A63B 22/0023					
				482/54					
2003/0060331	A1 *	3/2003	Polk, III .....	A63B 22/0235					
				482/20					
2004/0132586	A1 *	7/2004	Leighton .....	A63B 22/0207					
				482/54					
2005/0130807	A1 *	6/2005	Cutler .....	A63B 22/0023					
				482/54					
2006/0122037	A1 *	6/2006	Chou Lin .....	A63B 22/0235					
				482/54					
2006/0122038	A1 *	6/2006	Chou Lin .....	A63B 22/0235					
				482/54					
2006/0160665	A1 *	7/2006	Tai .....	A63B 22/0023					
				482/54					
2008/0176719	A1 *	7/2008	To .....	A63B 22/0235					
				482/54					
2009/0005224	A1 *	1/2009	Davis .....	A63B 22/02					
				482/54					
2009/0042698	A1 *	2/2009	Wang .....	A63B 22/02					
				482/54					
2009/0111666	A1 *	4/2009	Wang .....	A63B 22/0235					
				482/54					
2009/0170666	A1 *	7/2009	Chiang .....	A63B 22/02					
				482/54					
2011/0021323	A1 *	1/2011	Wu .....	A63B 22/0235					
				482/54					
2011/0306472	A1 *	12/2011	Wang .....	A63B 22/0235					
				482/54					
2012/0270704	A1 *	10/2012	Wang .....	A63B 22/0214					
				482/54					
2012/0283070	A1 *	11/2012	Lai .....	A63B 22/02					
				482/54					
2013/0184125	A1 *	7/2013	Maguire .....	A63B 21/225					
				482/54					

\* cited by examiner

*Primary Examiner* — Ryan Harvey

(74) *Attorney, Agent, or Firm* — Rosenberg, Klein & Lee

(57)

## CLAIM

The ornamental design for a treadmill, as shown and described.

## DESCRIPTION

FIG. 1 is a perspective view of a treadmill, showing my new design;  
 FIG. 2 is a front view thereof;  
 FIG. 3 is a rear view thereof;  
 FIG. 4 is a left view thereof;  
 FIG. 5 is a right view thereof;  
 FIG. 6 is a top view thereof;  
 FIG. 7 is a bottom view thereof;  
 FIG. 8 is a perspective view thereof showing the treadmill in use;  
 FIG. 9 is an enlarged view thereof according to the broken circle designated as “9” shown in FIG. 1;  
 FIG. 10 is an enlarged view thereof according to the broken circle designated as “10” shown in FIG. 1;  
 FIG. 11 is an enlarged view thereof according to the broken square designated as “11” shown in FIG. 3;  
 FIG. 12 is an enlarged view thereof according to the broken square designated as “12” shown in FIG. 3;  
 FIG. 13 is an enlarged view thereof according to the broken circle designated as “13” shown in FIG. 4;  
 FIG. 14 is an enlarged view thereof according to the broken circle designated as “14” shown in FIG. 5;  
 FIG. 15 is an enlarged view of FIG. 6;  
 FIG. 16 is an enlarged view of FIG. 7; and,  
 FIG. 17 is an enlarged view thereof according to the broken circle designated as “17” shown in FIG. 15.

**1 Claim, 14 Drawing Sheets**

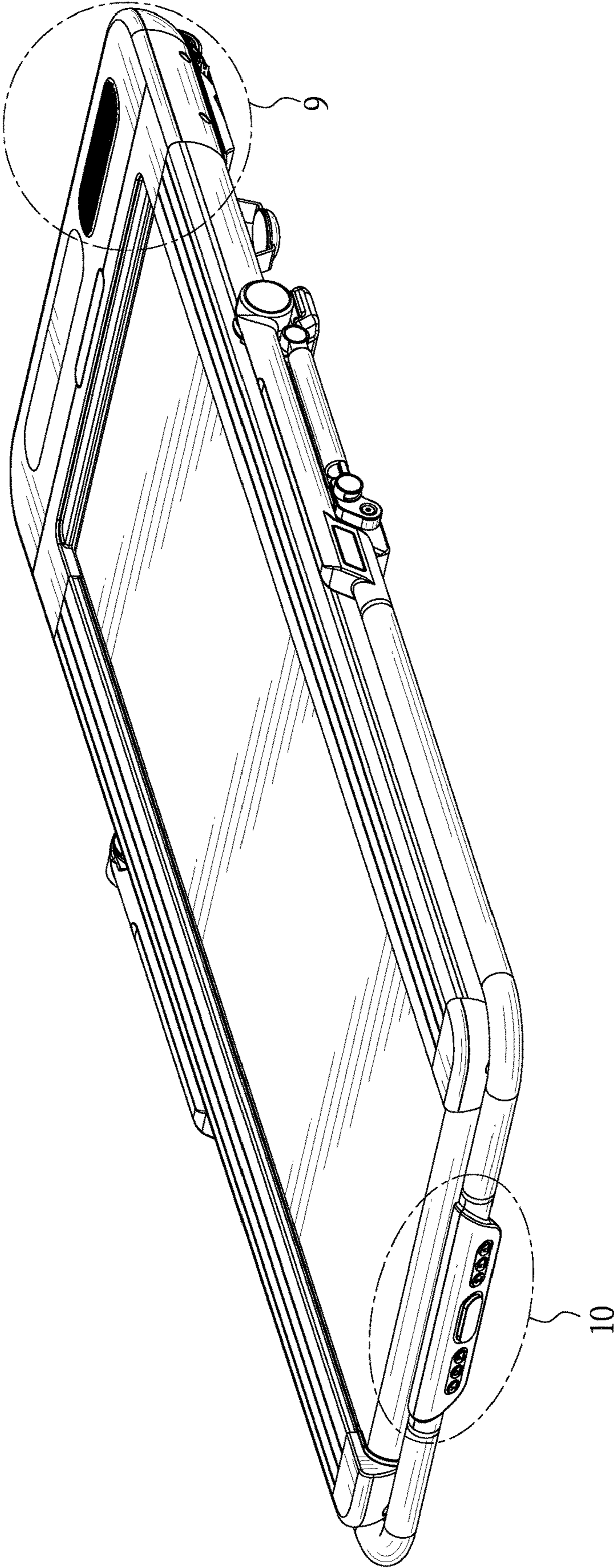


FIG. 1

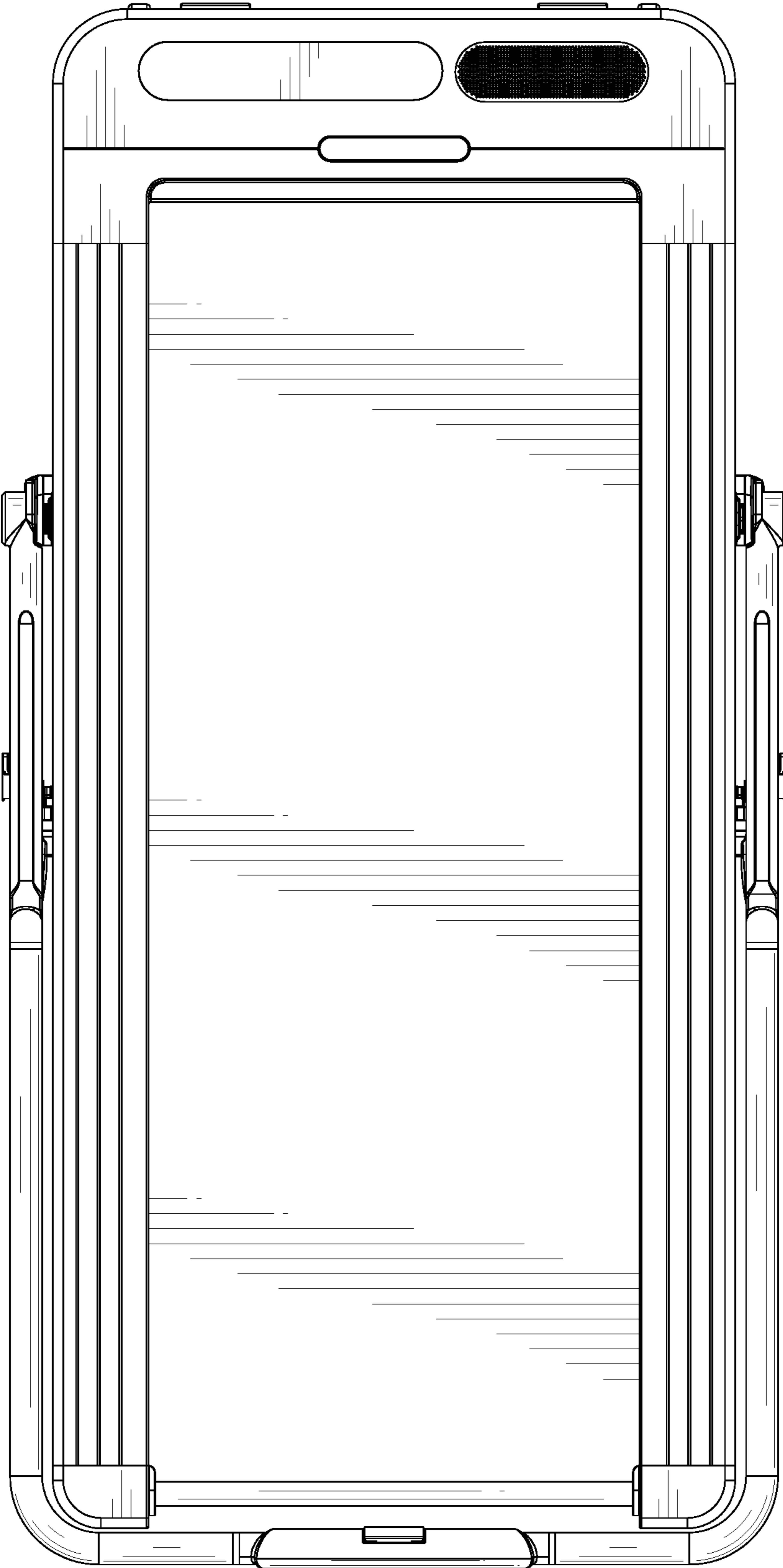


FIG. 2

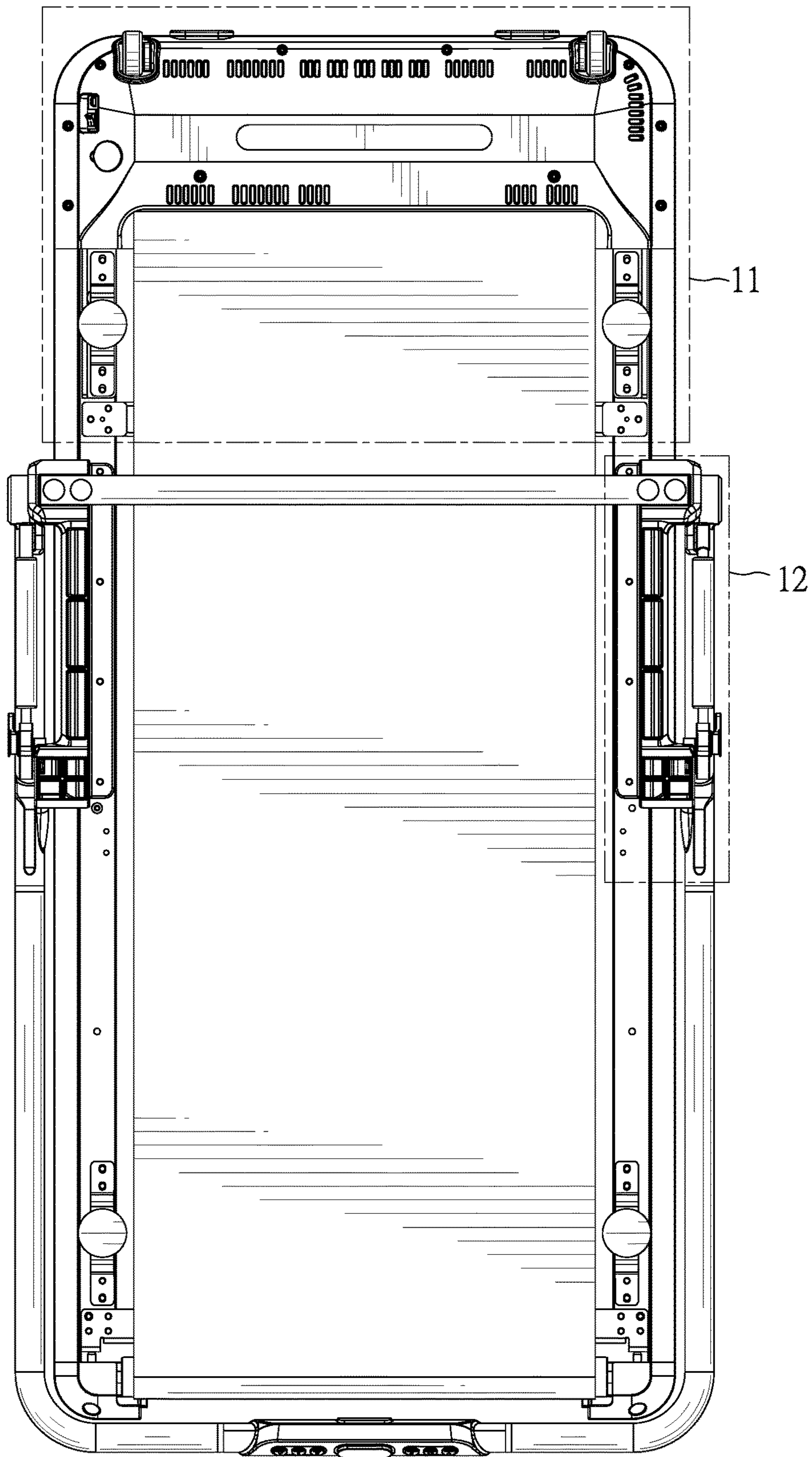


FIG. 3

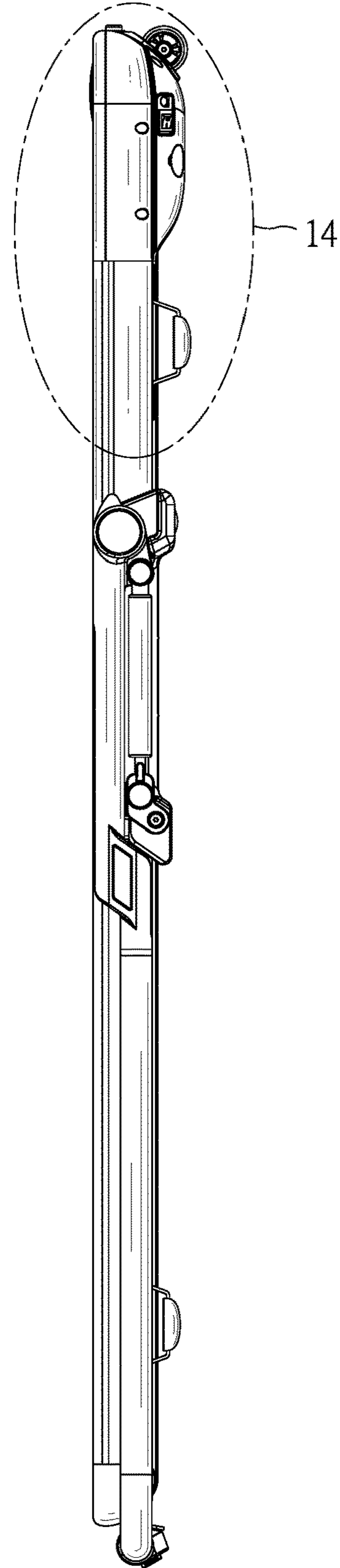
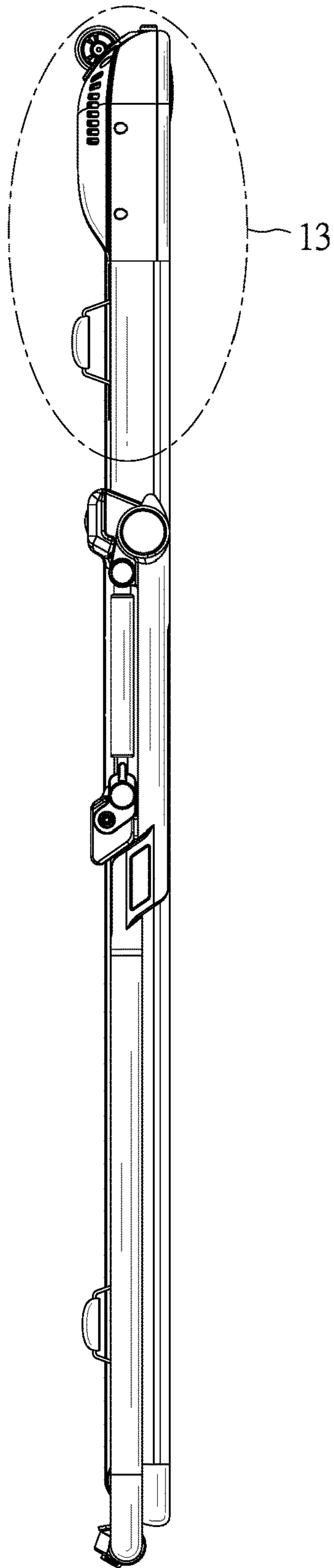


FIG. 4

FIG. 5

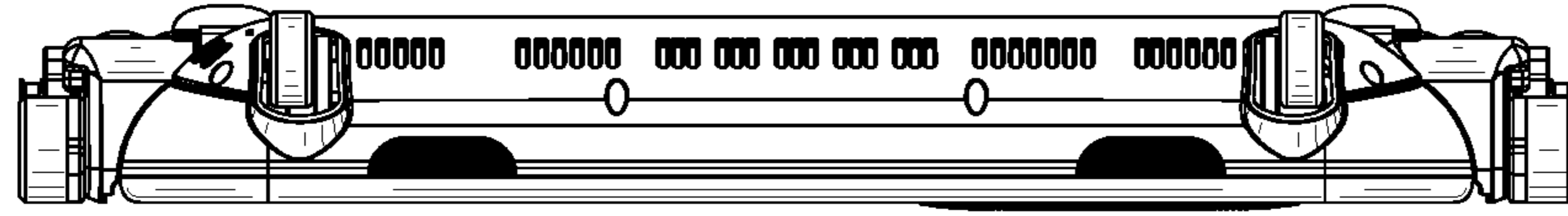


FIG. 6

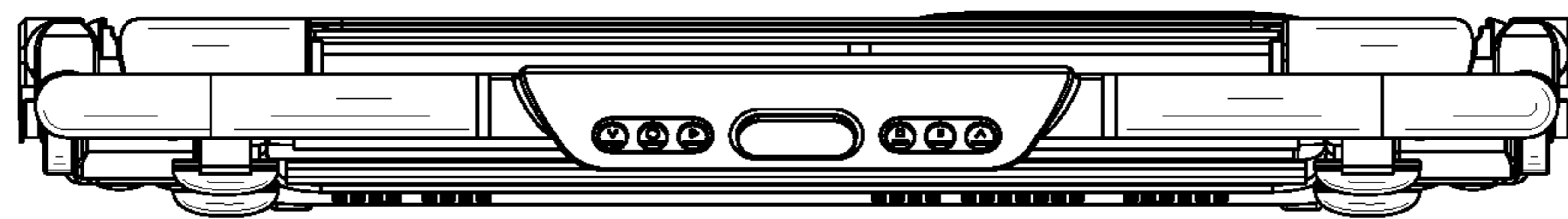


FIG. 7



FIG . 8



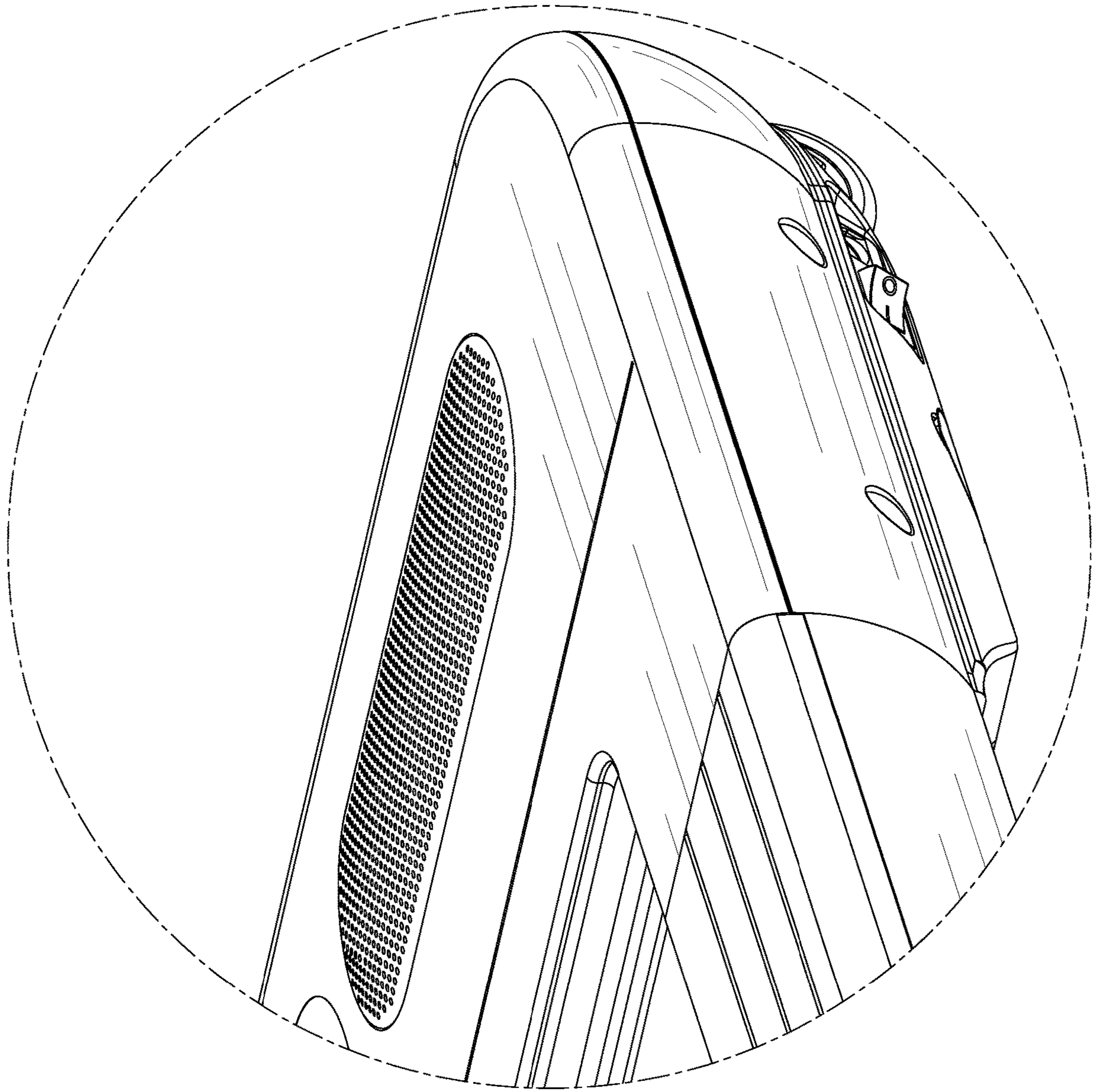


FIG. 9

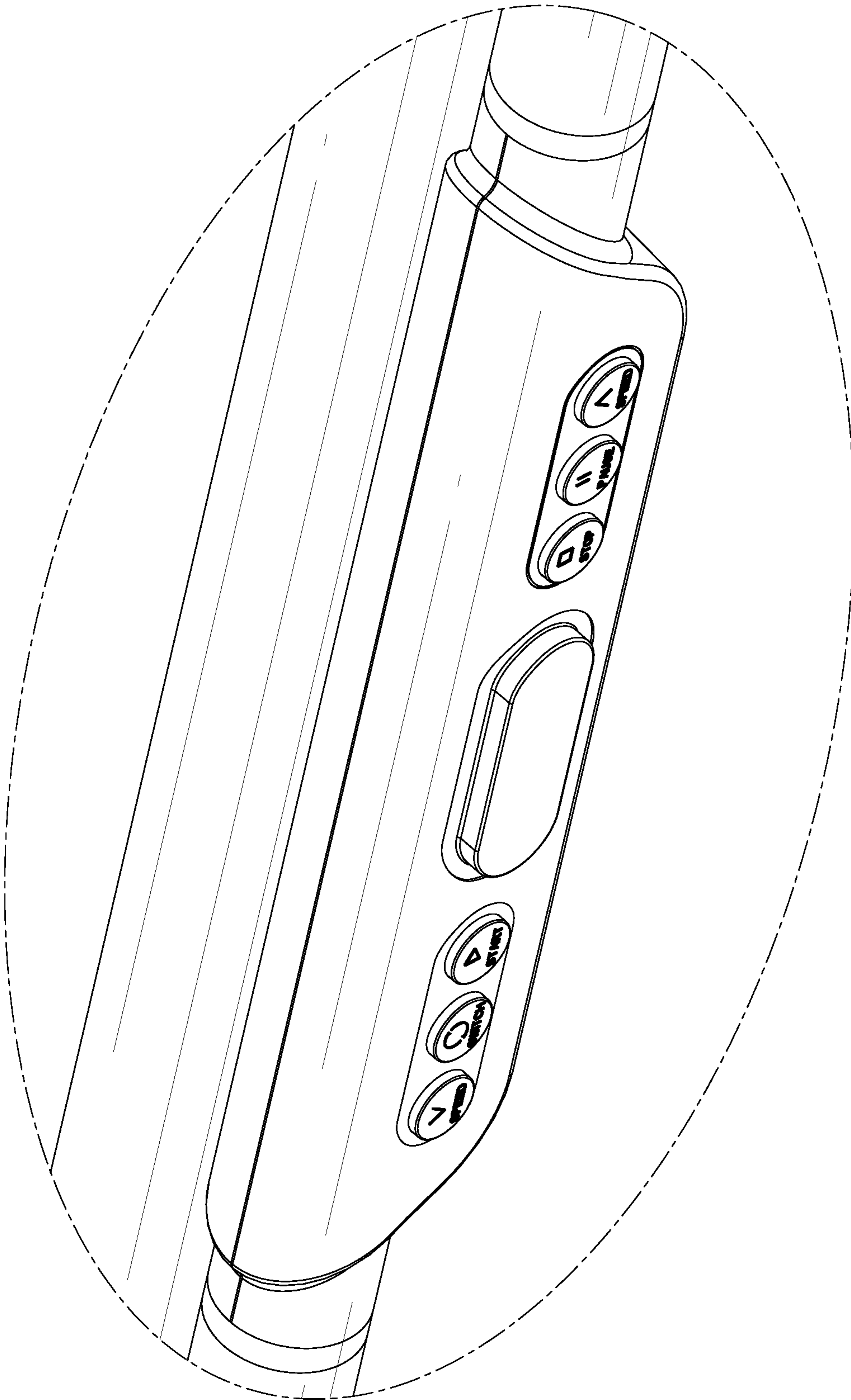


FIG . 10

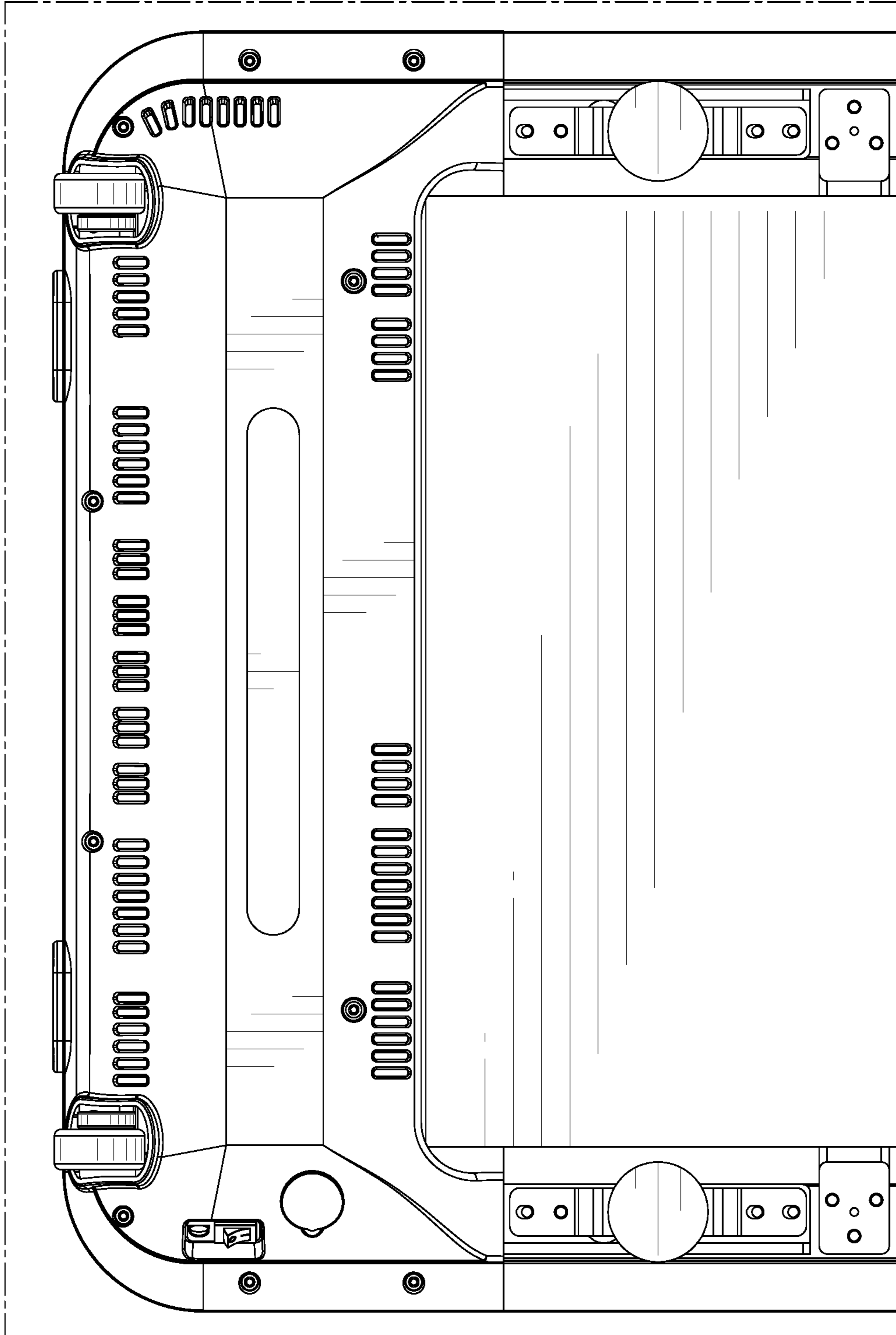
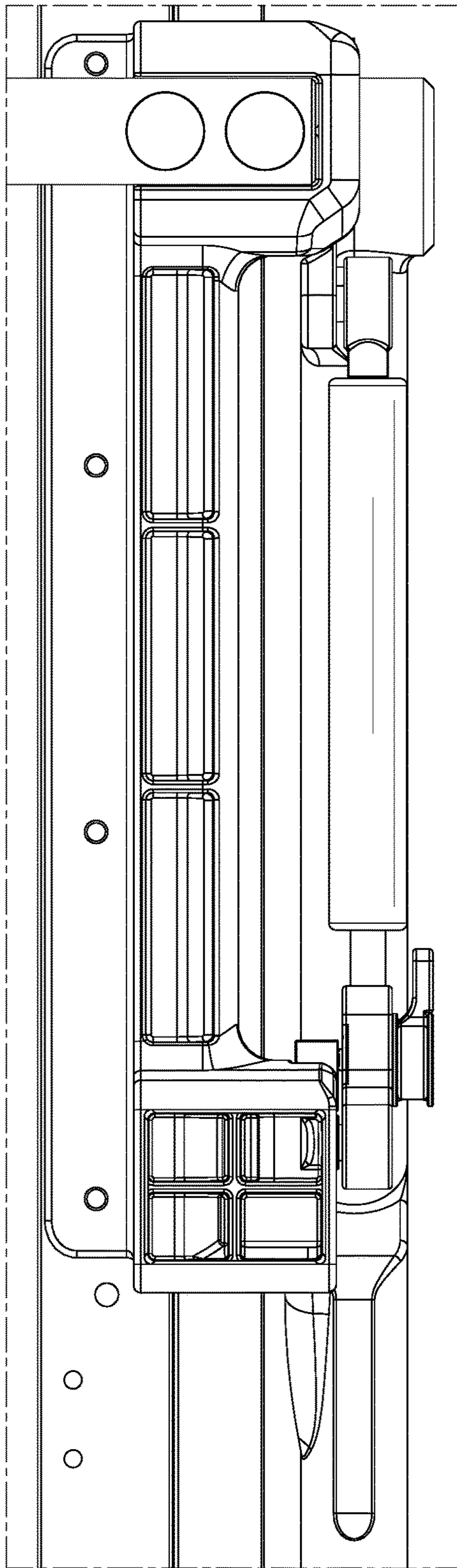


FIG. 11



F I G . 12

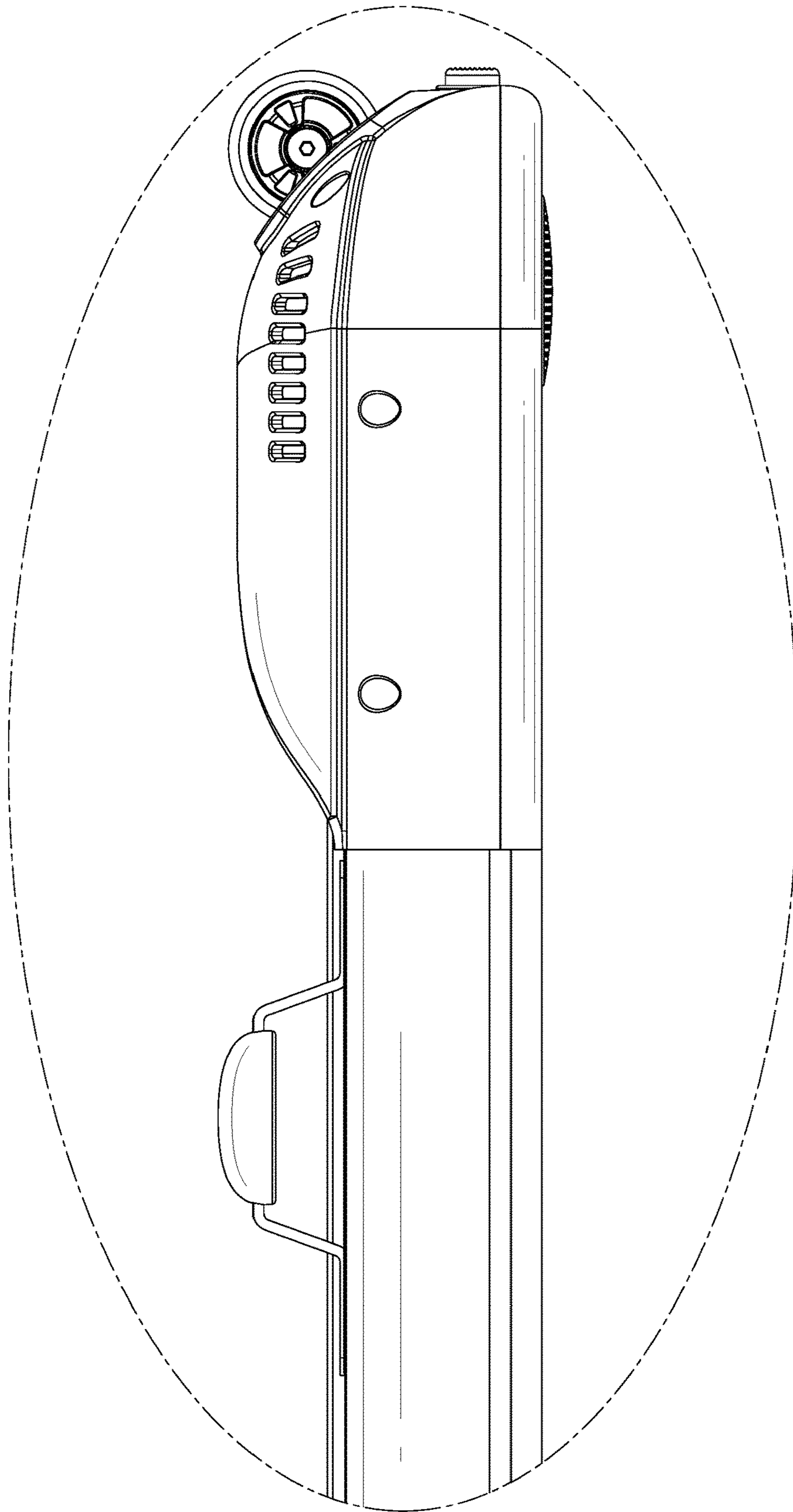
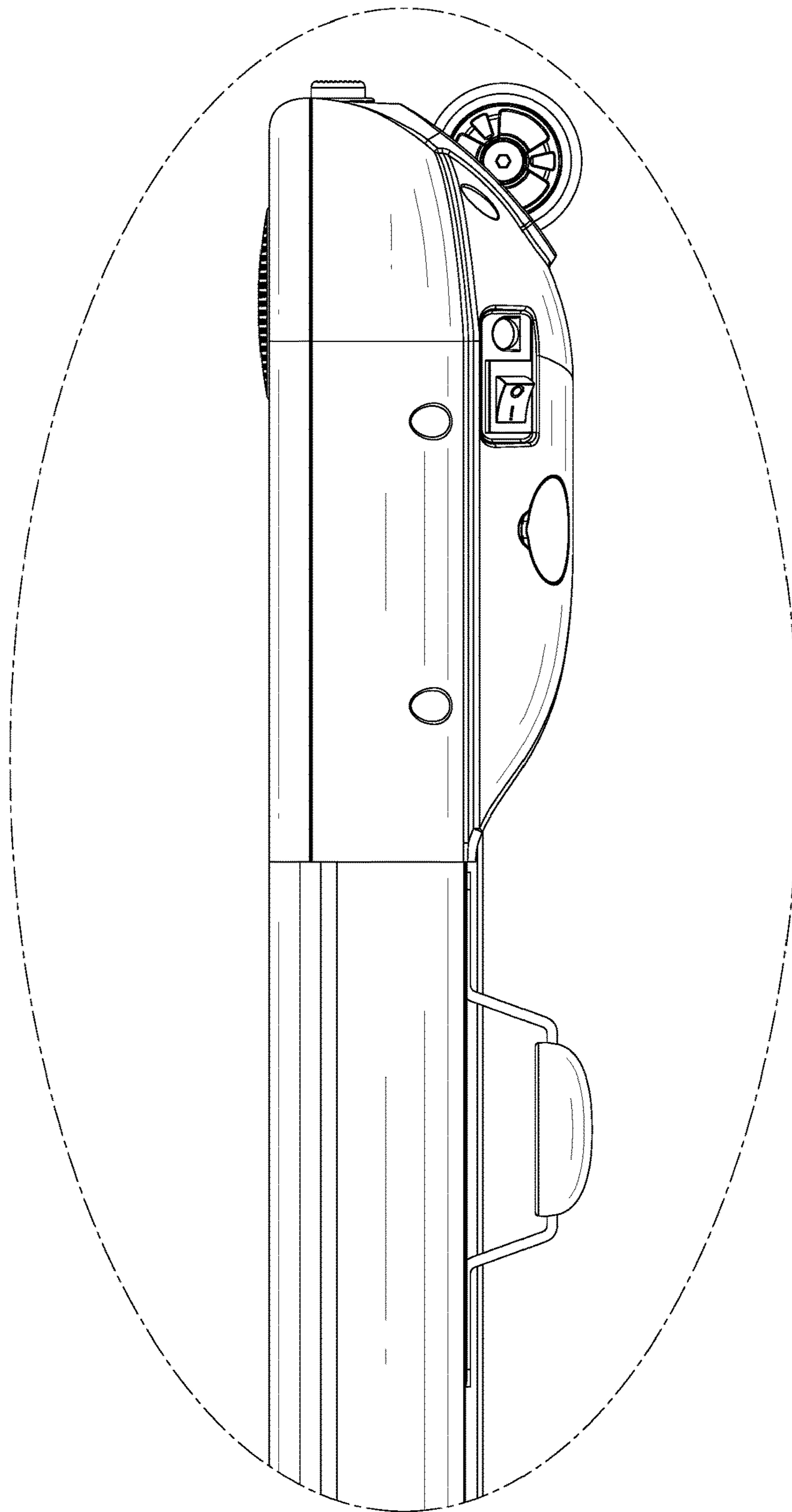


FIG. 13



F I G . 14

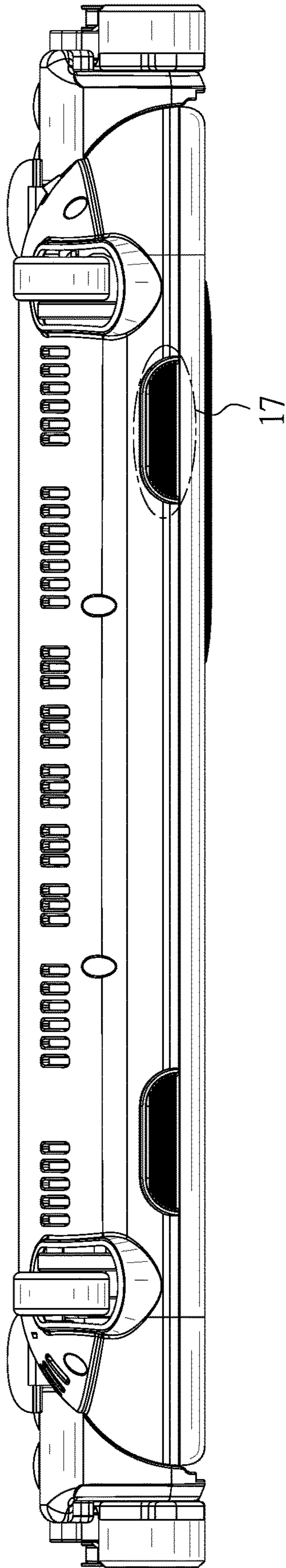


FIG. 15

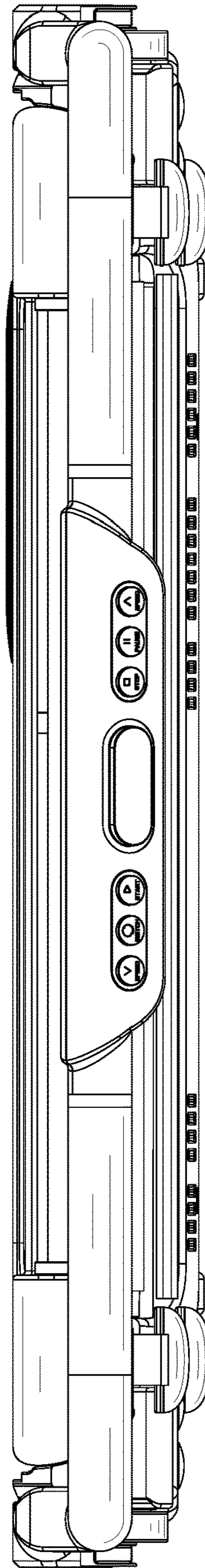


FIG. 16

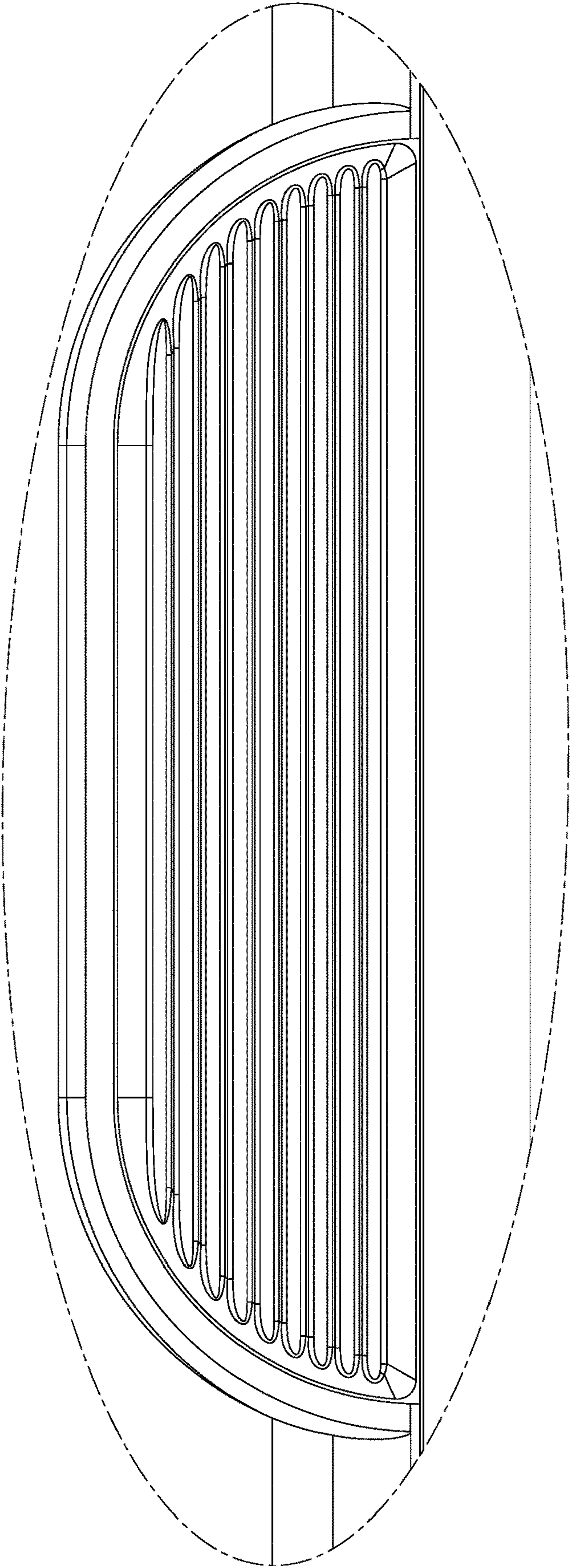


FIG . 17