



US00D919718S

(12) **United States Design Patent** (10) **Patent No.:** **US D919,718 S**
Cacciola (45) **Date of Patent:** **** May 18, 2021**

(54) **TOY FOOTING**
(71) Applicant: **Hasbro, Inc.**, Pawtucket, RI (US)
(72) Inventor: **Chris Cacciola**, Wrentham, MA (US)
(73) Assignee: **Hasbro, Inc.**, Pawtucket, RI (US)
(**) Term: **15 Years**
(21) Appl. No.: **29/673,999**
(22) Filed: **Dec. 19, 2018**
(51) **LOC (13) Cl.** **21-01**
(52) **U.S. Cl.**
USPC **D21/658**
(58) **Field of Classification Search**
USPC D21/658; D6/672, 675, 677, 682.1,
D6/682.6
CPC . A47F 3/00; A47B 43/00; A63H 33/26; A63F
9/00
See application file for complete search history.

D442,652 S * 5/2001 Fung D21/658
6,863,583 B2 3/2005 Takahashi
D532,464 S * 11/2006 Gershwin D21/658
7,475,881 B2 1/2009 Blagg et al.
8,137,151 B2 3/2012 Kenney
D738,443 S * 9/2015 James D21/658
2007/0087651 A1 4/2007 Ali

* cited by examiner

Primary Examiner — Zenia I Bennett

(74) *Attorney, Agent, or Firm* — Perry Hoffman

(57) **CLAIM**

The ornamental design for a toy footing, as shown and described.

DESCRIPTION

FIG. 1 is a perspective view of a first embodiment of the toy footing of the instant invention;
FIG. 2 is a top plan view thereof;
FIG. 3 is a bottom plan view thereof;
FIG. 4 is a front view thereof;
FIG. 5 is a rear view thereof;
FIG. 6 is a side elevational view thereof;
FIG. 7 is a perspective view of a second embodiment of the toy footing of the instant invention;
FIG. 8 is a top plan view thereof;
FIG. 9 is a bottom plan view thereof;
FIG. 10 is a front view thereof;
FIG. 11 is a rear view thereof; and,
FIG. 12 is a side elevational view thereof.

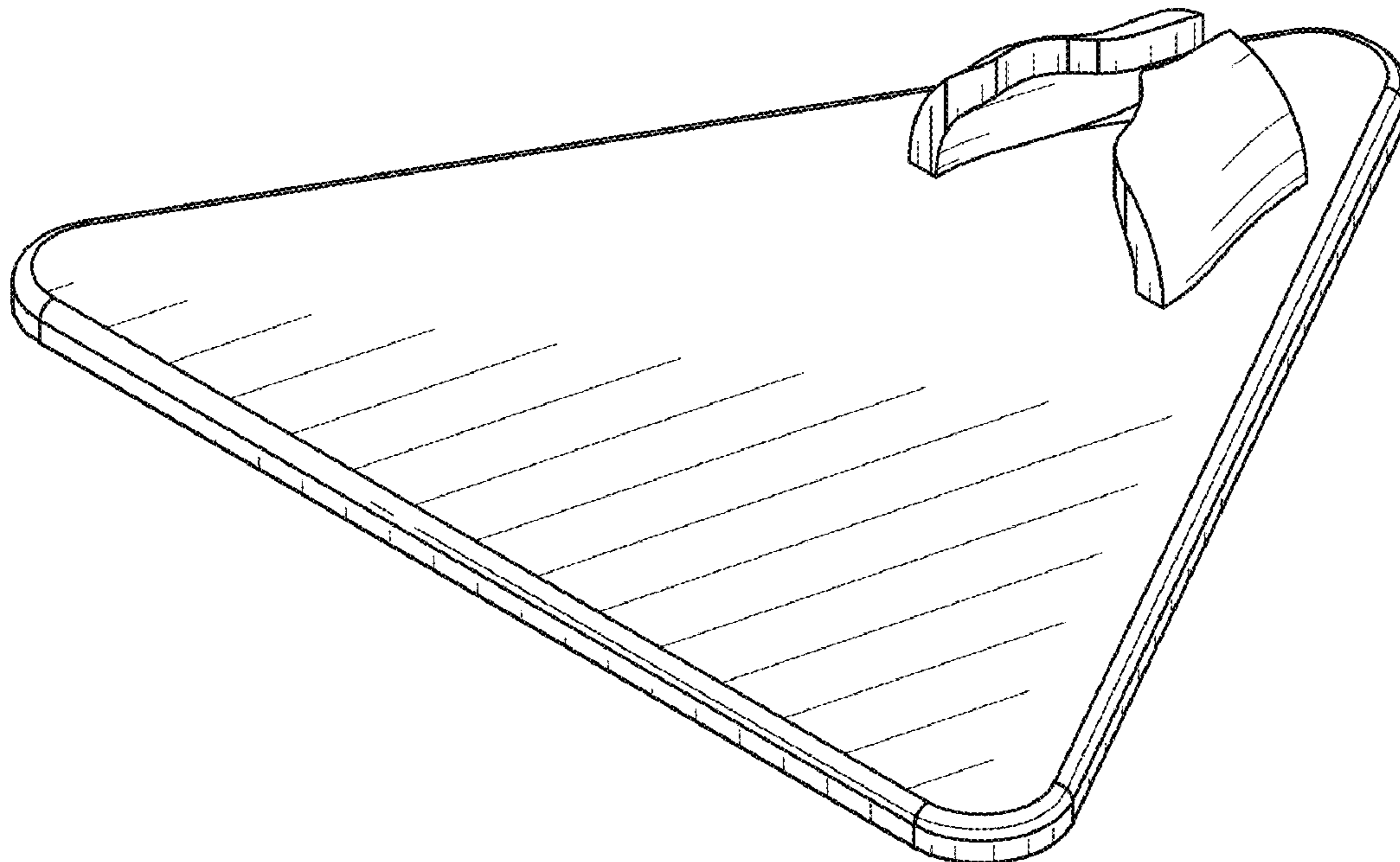
The broken lines shown are included for the purpose of illustrating the unclaimed portions of the article and form no part of the claimed design.

1 Claim, 8 Drawing Sheets

(56) **References Cited**

U.S. PATENT DOCUMENTS

2,454,095 A 11/1948 Sandlovich
3,235,259 A 2/1966 Glass et al.
3,345,030 A 10/1967 Speers
3,864,870 A 2/1975 Breslow et al.
D246,409 S * 11/1977 Ventura D6/677
D275,973 S * 10/1984 Marino D21/469
D305,920 S * 2/1990 Butler D21/658
D309,932 S * 8/1990 Rivera, Jr. D21/658
5,024,611 A 6/1991 Eckerle et al.
D356,939 S * 4/1995 Flito D8/355
5,458,523 A 10/1995 Aoki et al.
D363,959 S * 11/1995 Grubbs D21/658
D415,064 S * 10/1999 George D11/131
D433,080 S * 10/2000 Rowberry D21/658



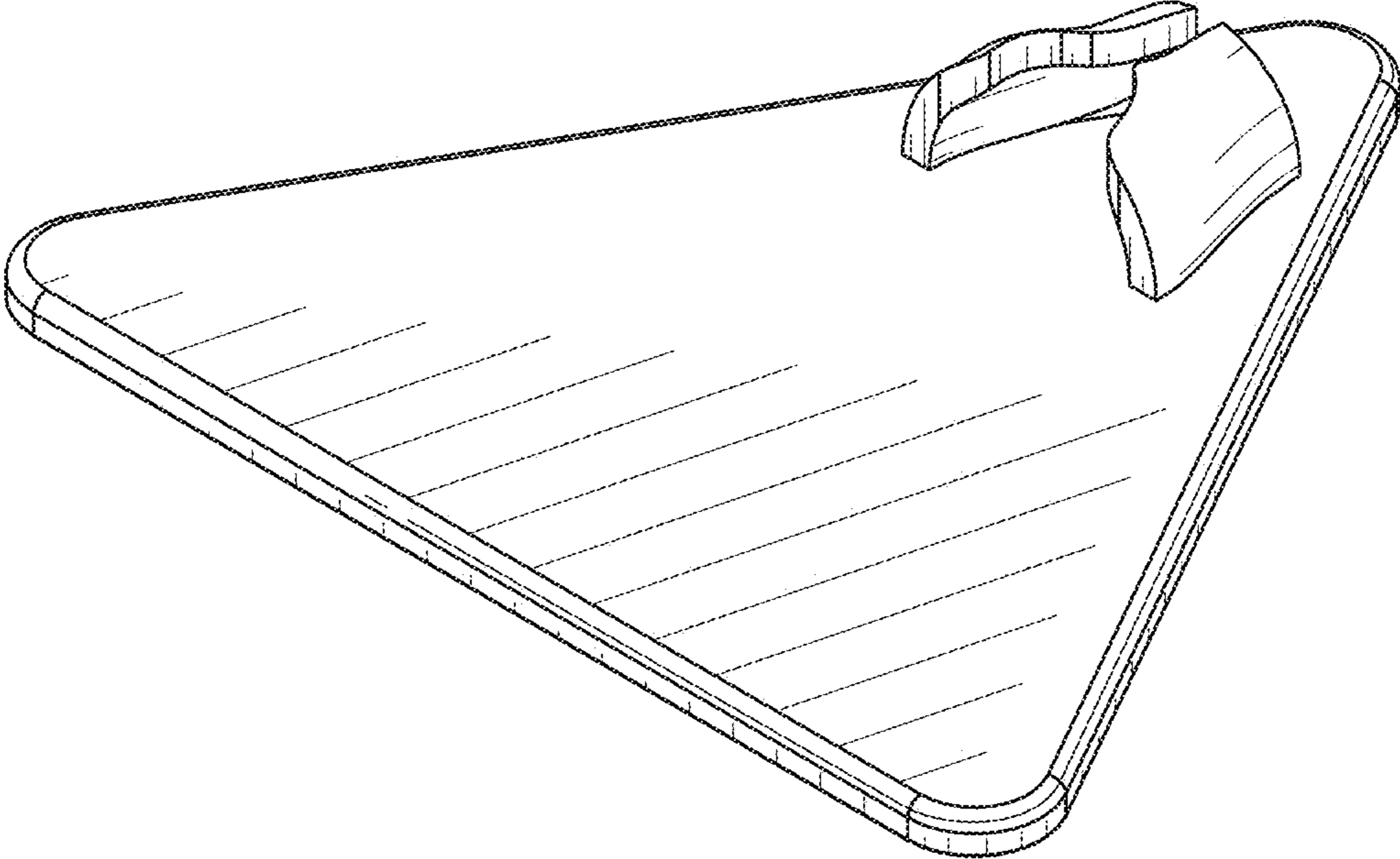


FIG. 1

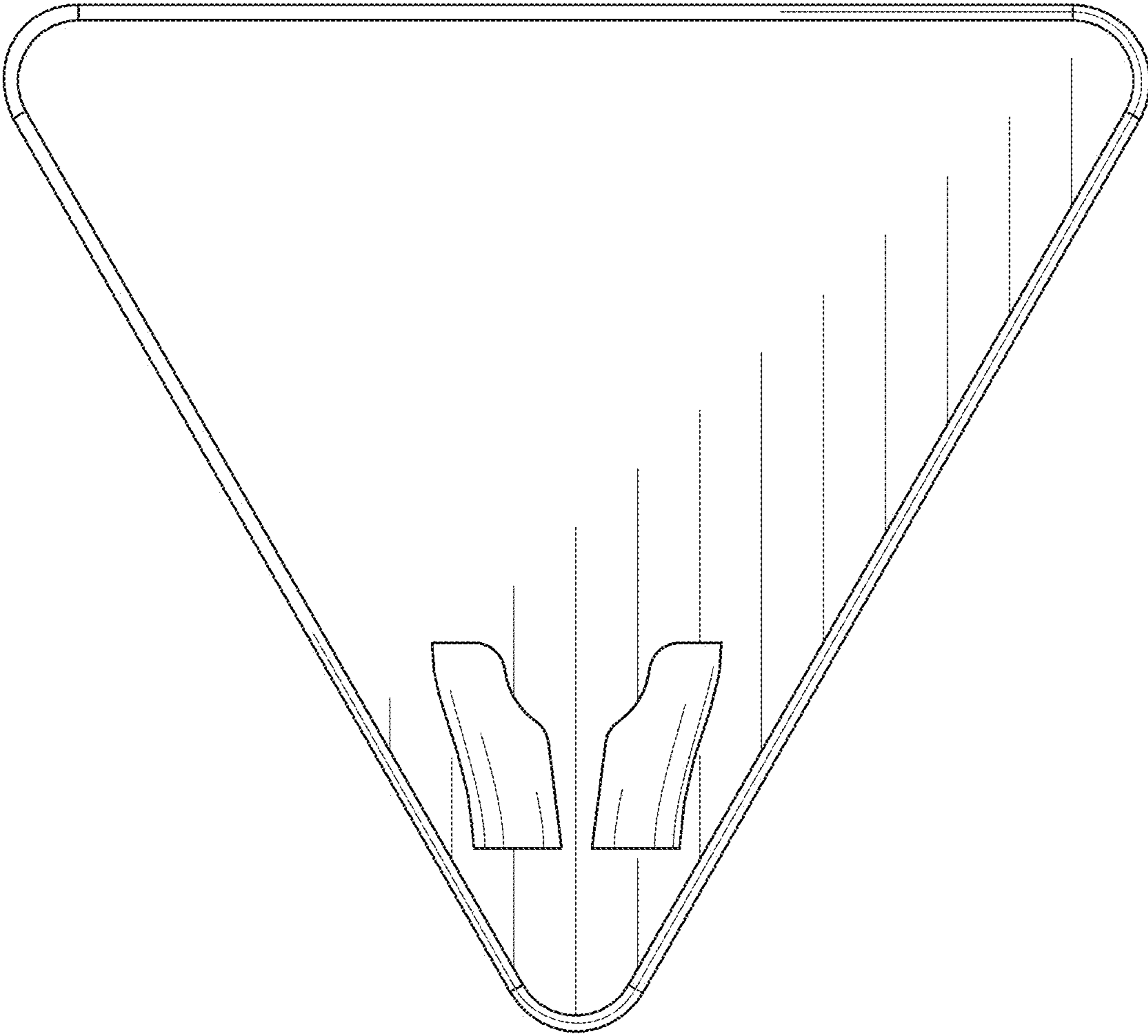


FIG. 2

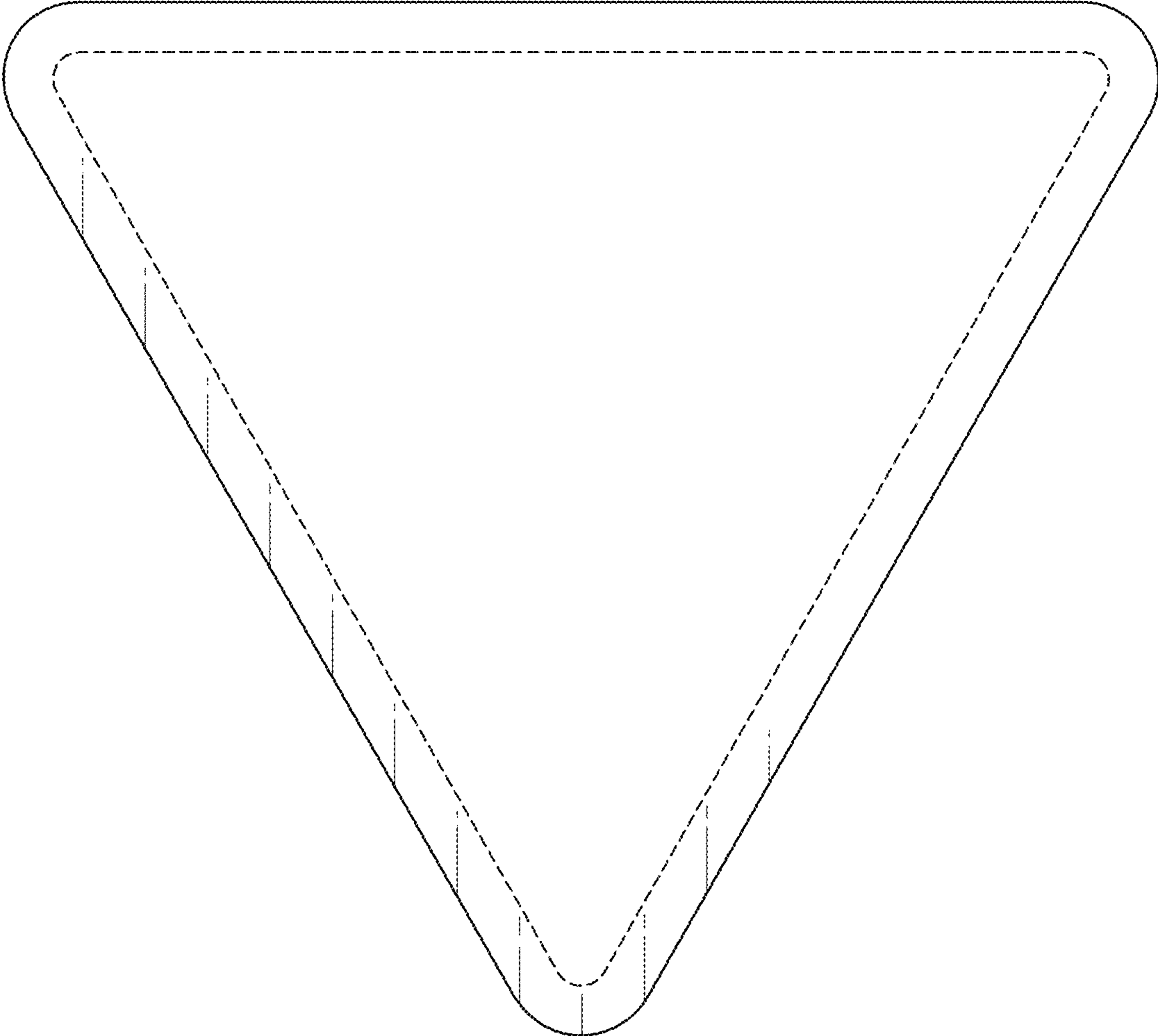


FIG. 3

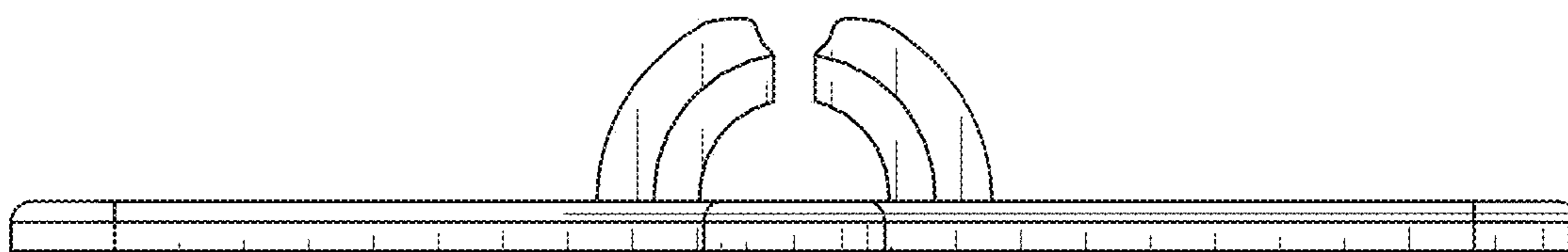


FIG. 4

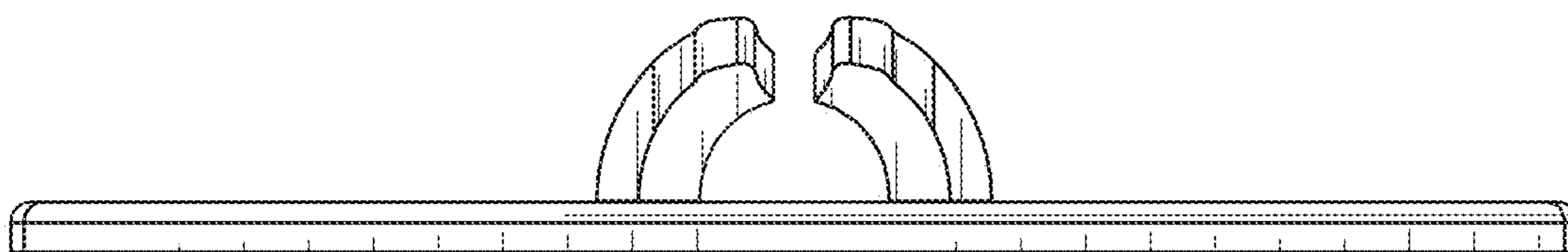


FIG. 5

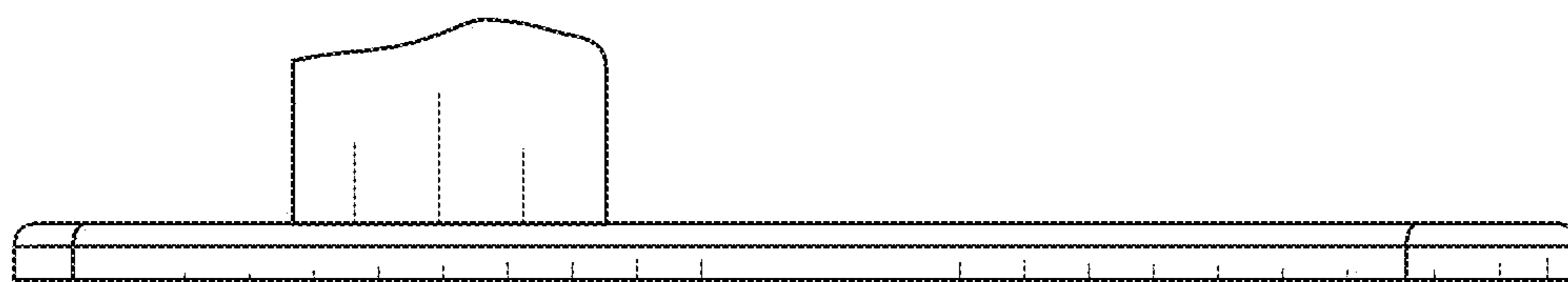


FIG. 6

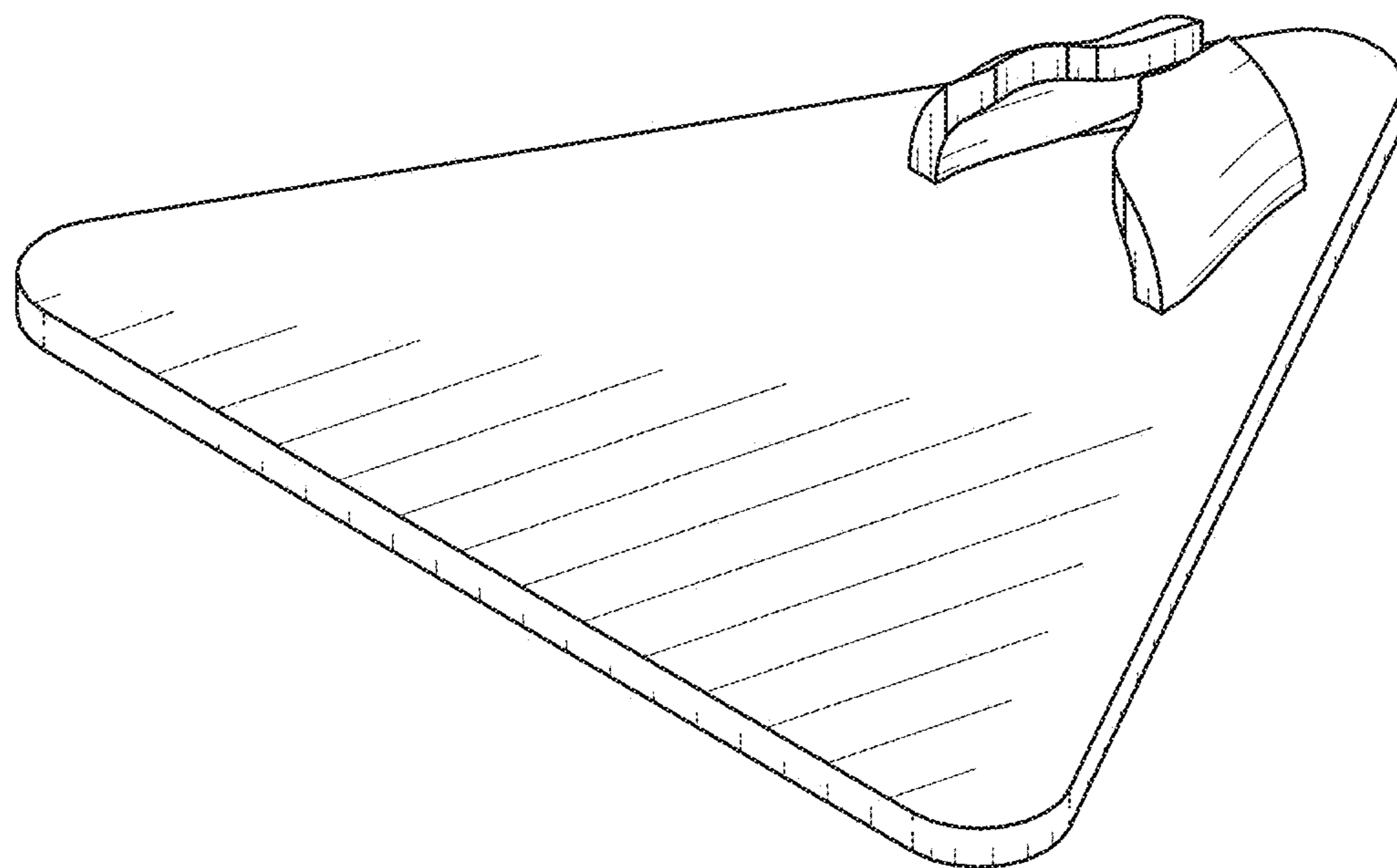


FIG. 7

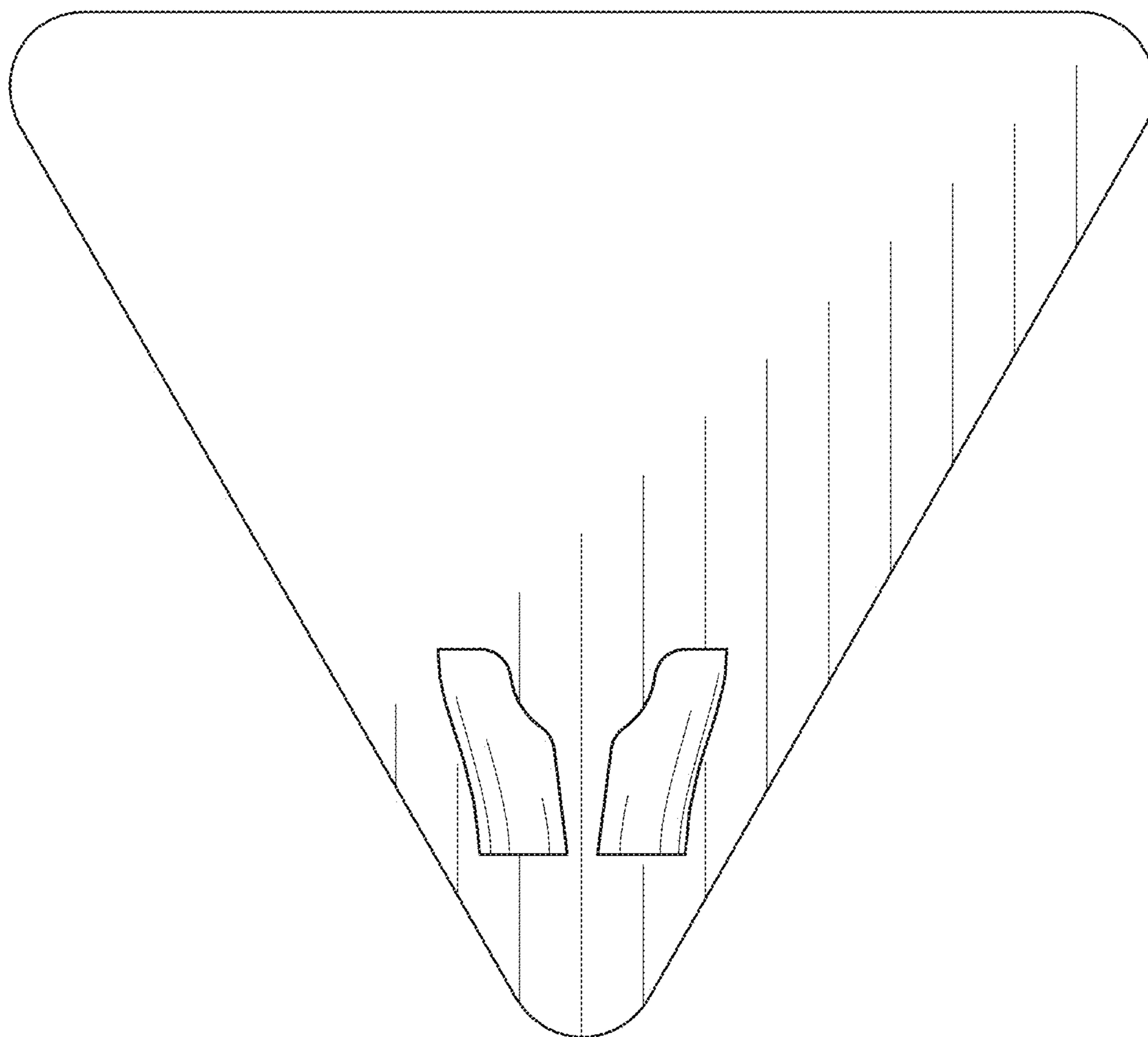


FIG. 8

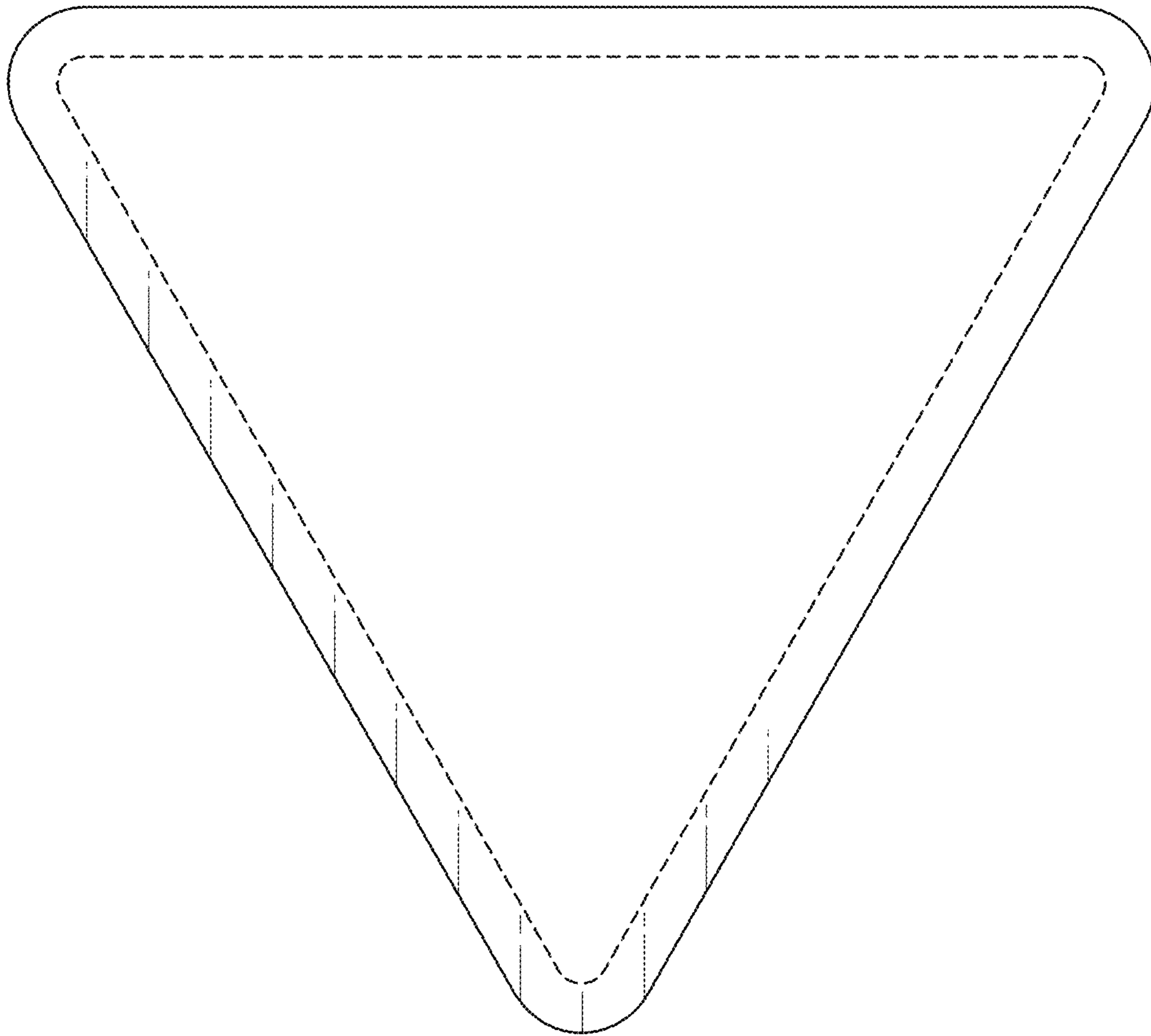


FIG. 9

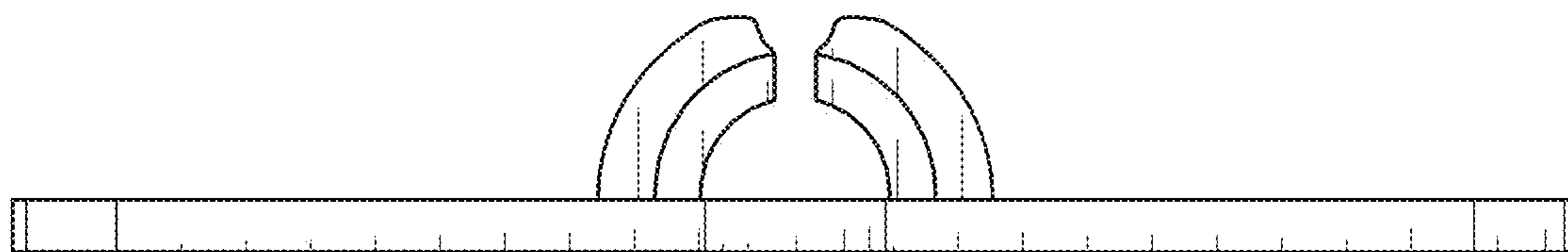


FIG. 10

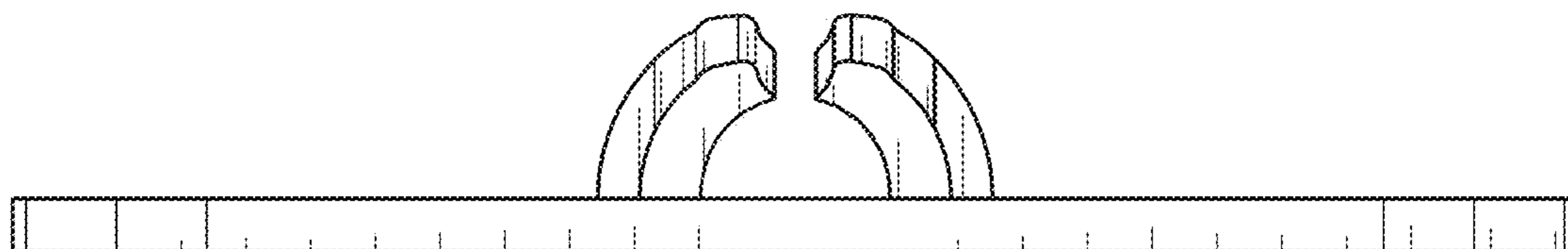


FIG. 11

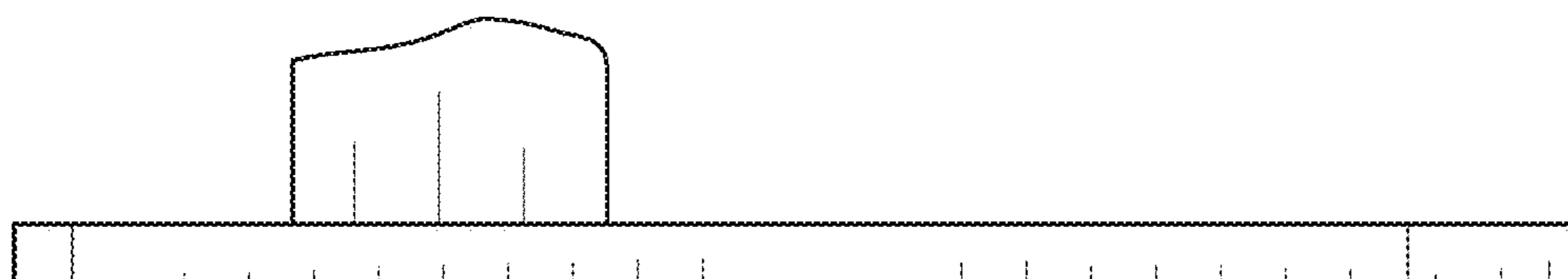


FIG. 12