



US00D919717S

(12) **United States Design Patent** (10) **Patent No.:** **US D919,717 S**
Paul et al. (45) **Date of Patent:** **** May 18, 2021**

(54) **ROBOT**

(56)

References Cited

(71) Applicant: **Tata Consultancy Services Limited,**
Maharashtra (IN)

U.S. PATENT DOCUMENTS

(72) Inventors: **Geo Paul,** Kochi (IN); **Roshy M John,**
Kochi (IN); **Manecius Selvakumar**
Joseph, Kochi (IN)

D719,620 S	*	12/2014	Clerc	B25J 5/007
					D21/578
D725,167 S	*	3/2015	Song	D15/199
D781,945 S	*	3/2017	Uno	D15/199
D806,805 S	*	1/2018	Takahashi	D21/578
D822,770 S	*	7/2018	Hsiao	D21/578
D825,010 S	*	8/2018	Osentoski	D21/578
D866,684 S	*	11/2019	Fruh	D21/578
D873,320 S	*	1/2020	Clerc	D15/199

(73) Assignee: **TATA CONSULTANCY SERVICES**
LIMITED

* cited by examiner

(**) Term: **15 Years**

Primary Examiner — Zenia I Bennett

(21) Appl. No.: **29/685,285**

(74) *Attorney, Agent, or Firm* — Hayes Soloway P.C.

(22) Filed: **Mar. 27, 2019**

(57) **CLAIM**

We claim the ornamental design for a robot, as shown and described.

(30) **Foreign Application Priority Data**

DESCRIPTION

Oct. 5, 2018 (IN) 310641
Oct. 5, 2018 (IN) 310642

(51) **LOC (13) Cl.** **21-01**

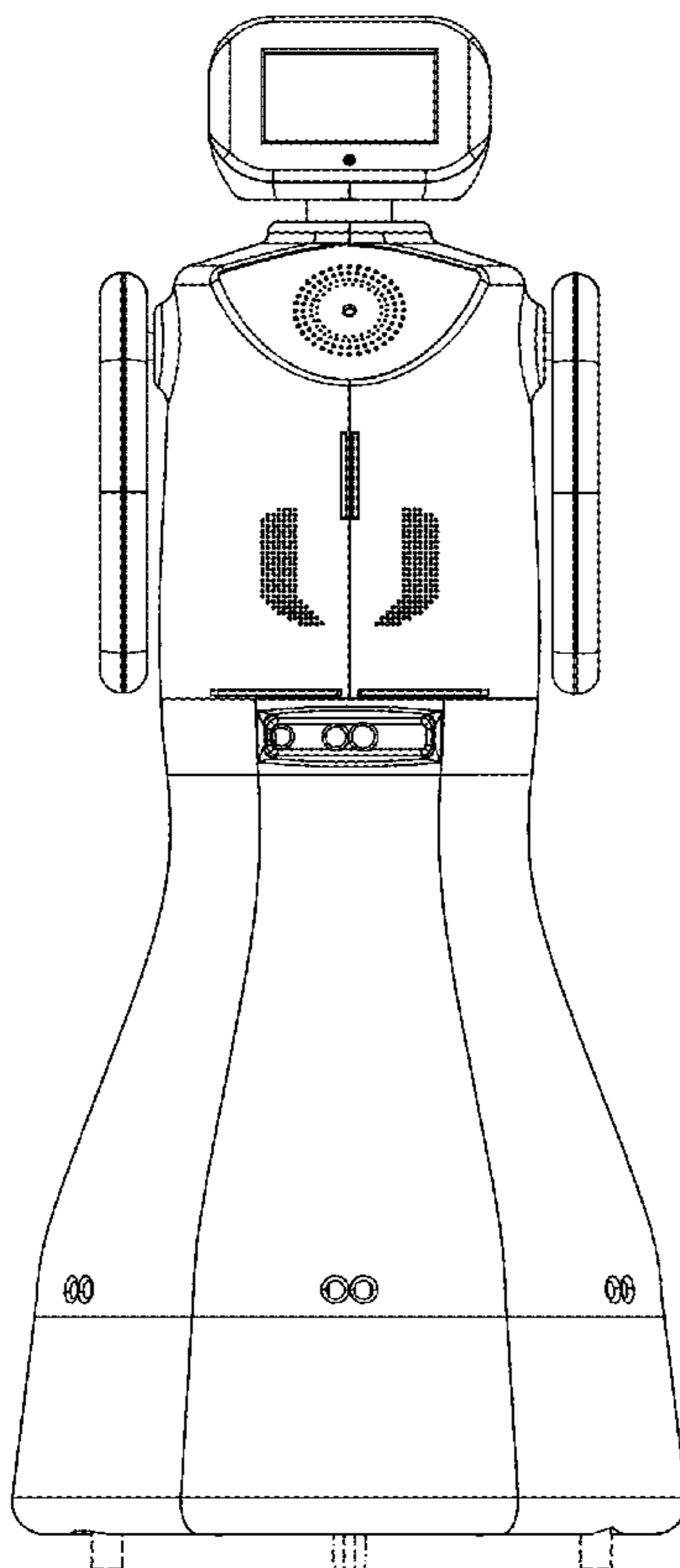
(52) **U.S. Cl.**
USPC **D21/578**

(58) **Field of Classification Search**
USPC D21/578-586; D19/59; D15/199
CPC . B25J 9/00; B25J 9/0003; B25J 9/0006; B25J
13/00; B25J 5/00; B25J 5/007

FIG. 1 is front view of a robot;
FIG. 2 is a right side view thereof;
FIG. 3 is a back view thereof;
FIG. 4 is a top view thereof;
FIG. 5 is a bottom view thereof; and,
FIG. 6 is a perspective view thereof.
The broken lines shown in FIGS. 1-3 and 5-6 are for illustrative purposes only and form no part of the claimed design.

See application file for complete search history.

1 Claim, 6 Drawing Sheets



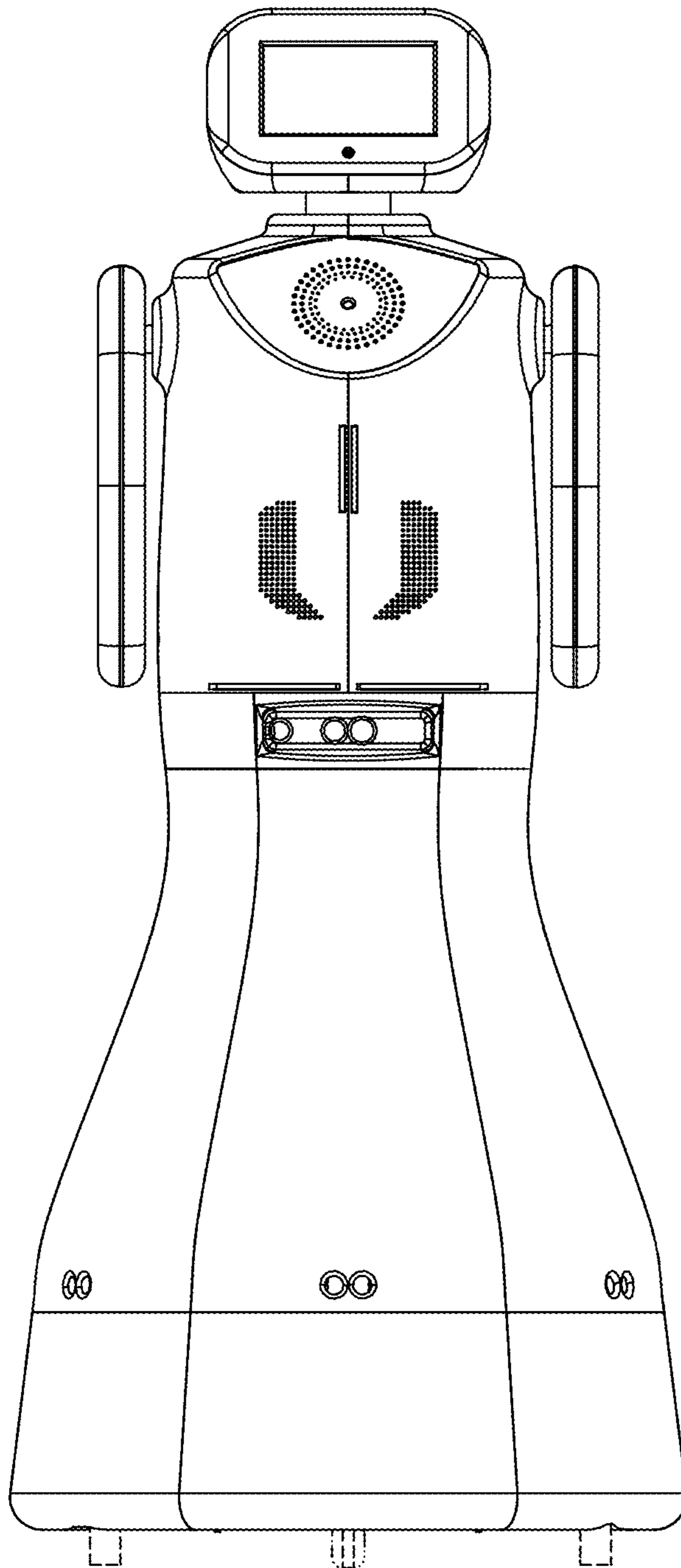


FIG. 1

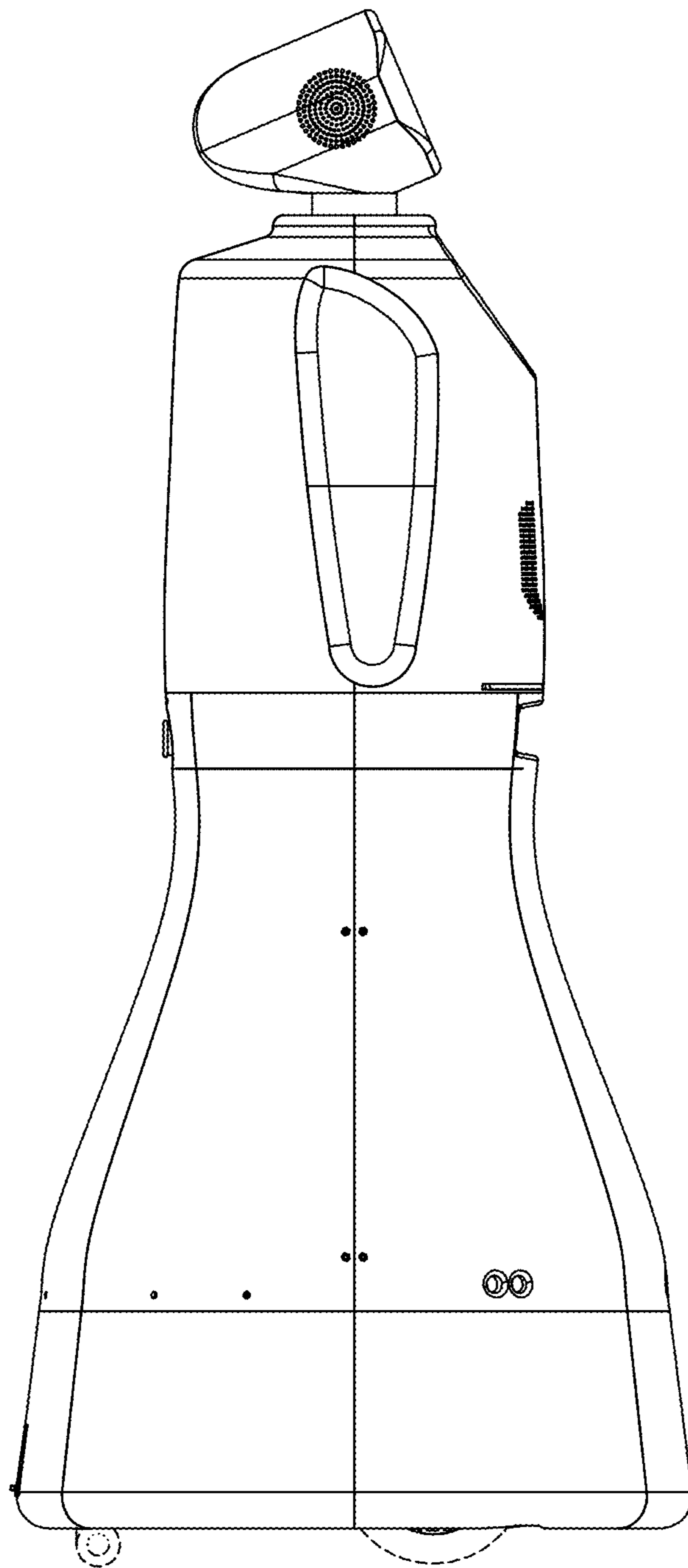


FIG. 2

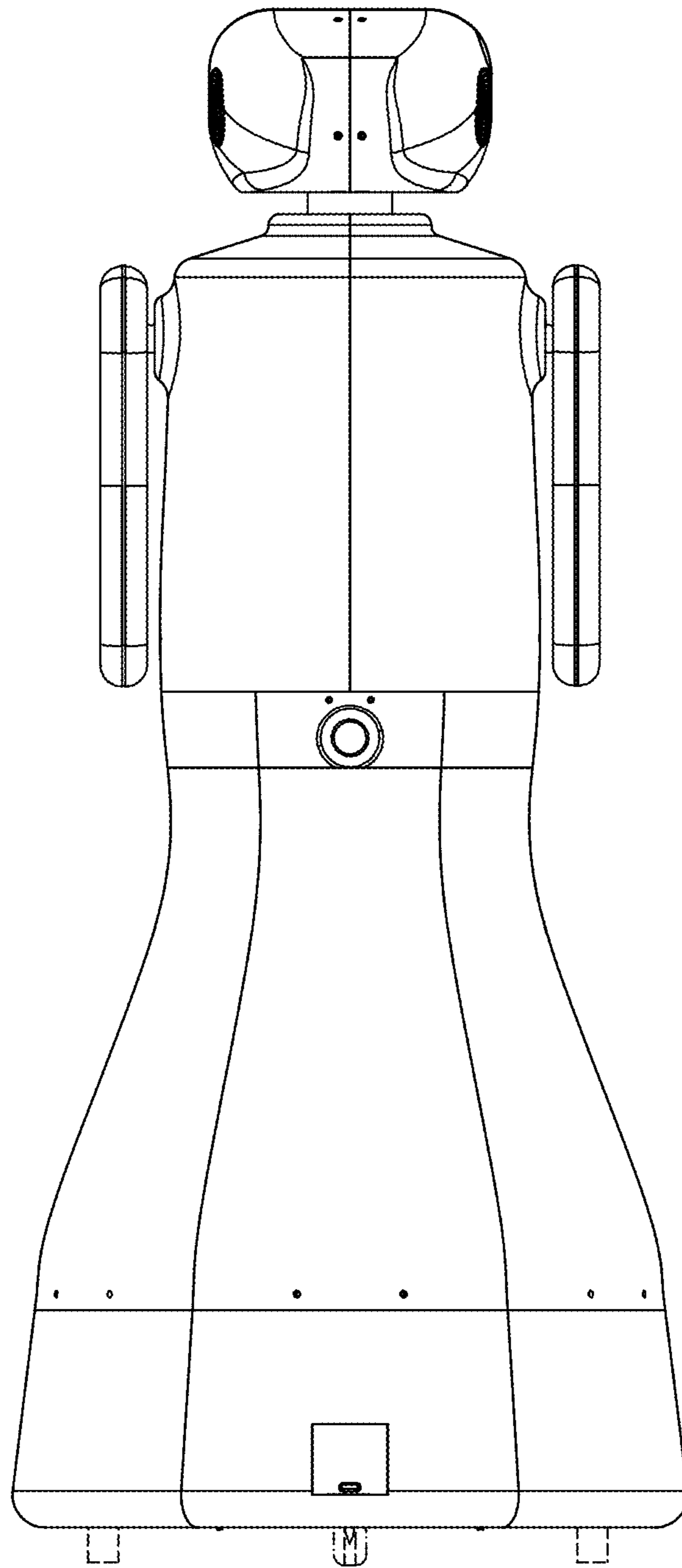


FIG. 3

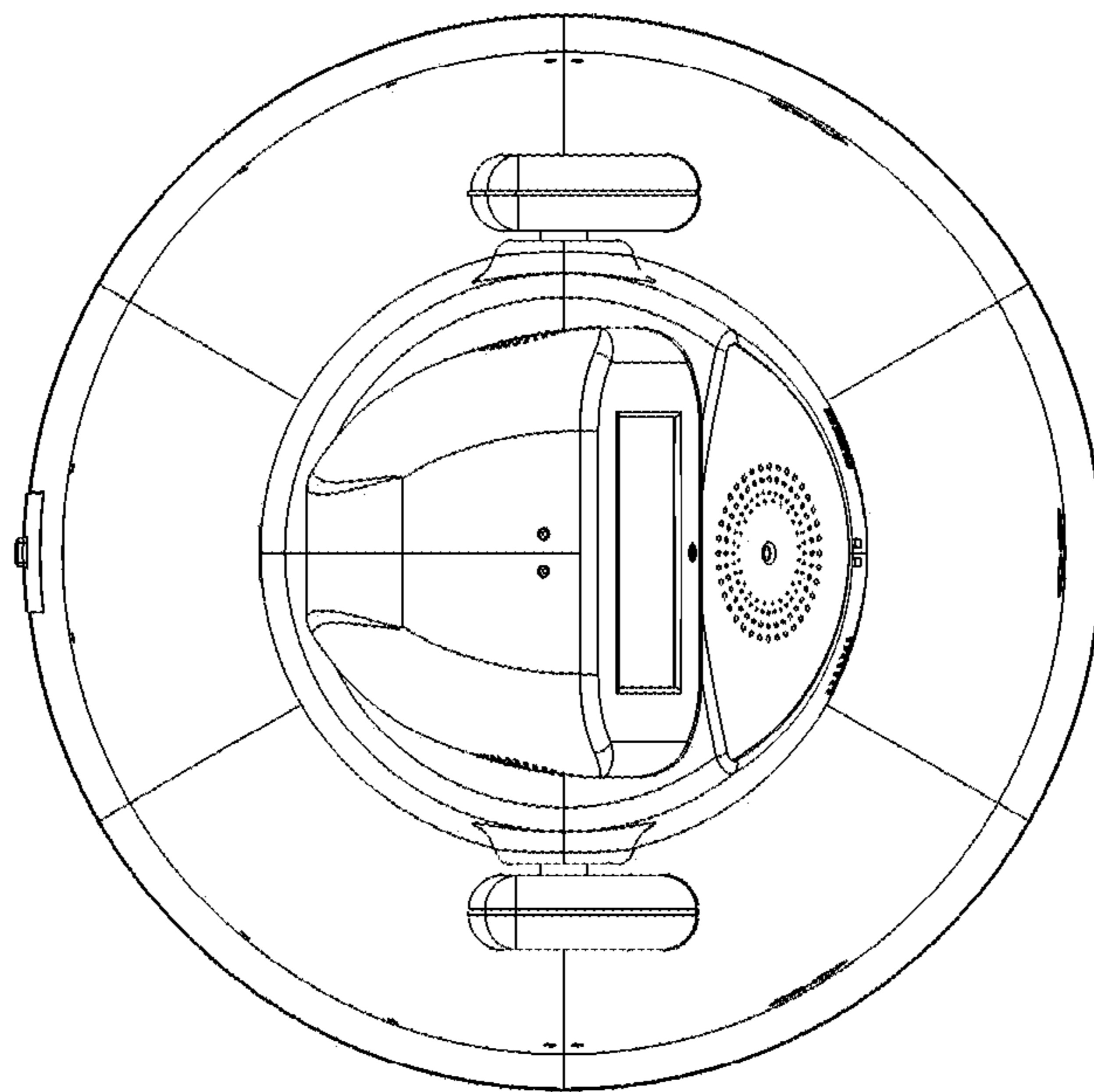


FIG. 4

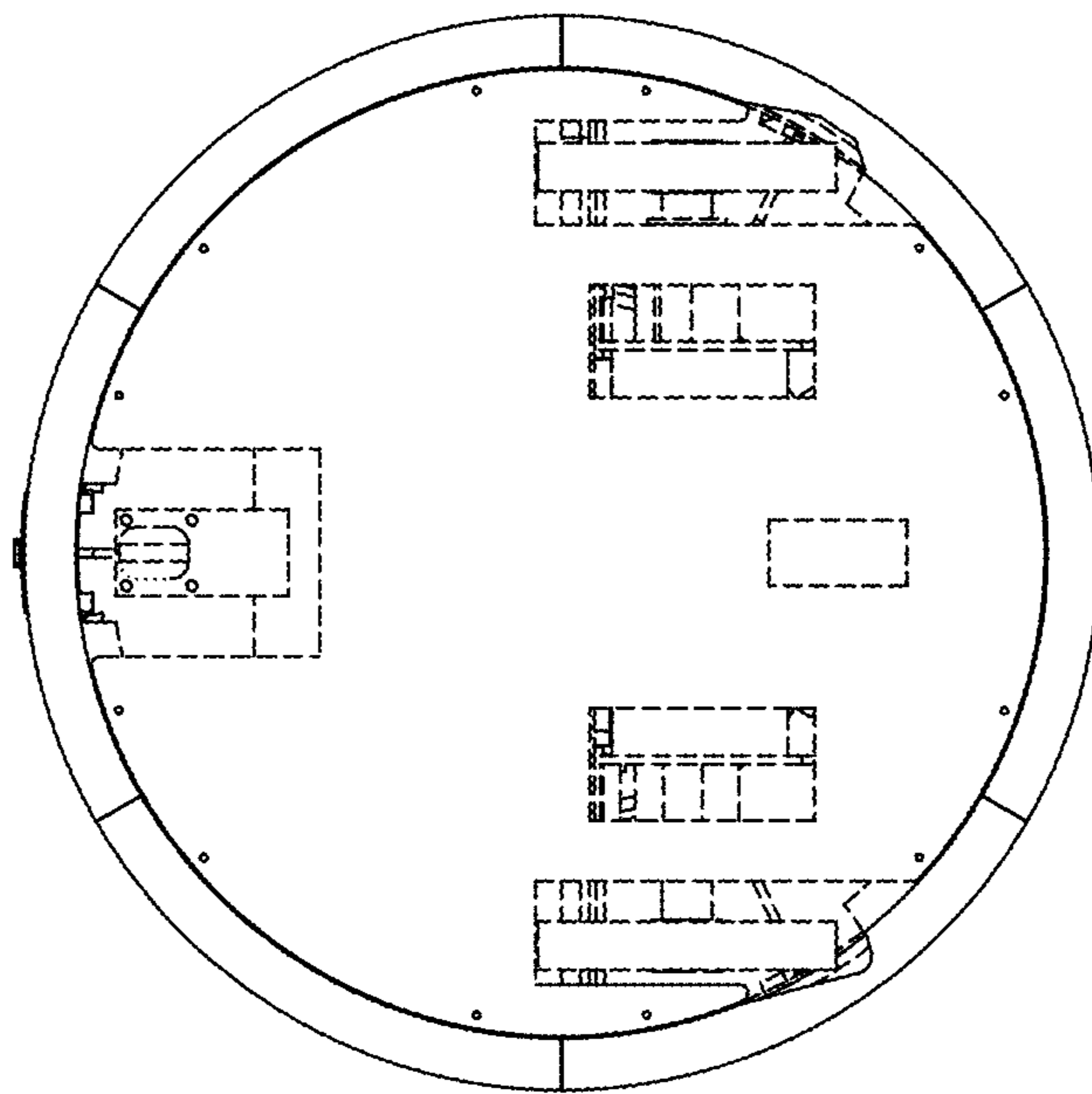


FIG. 5

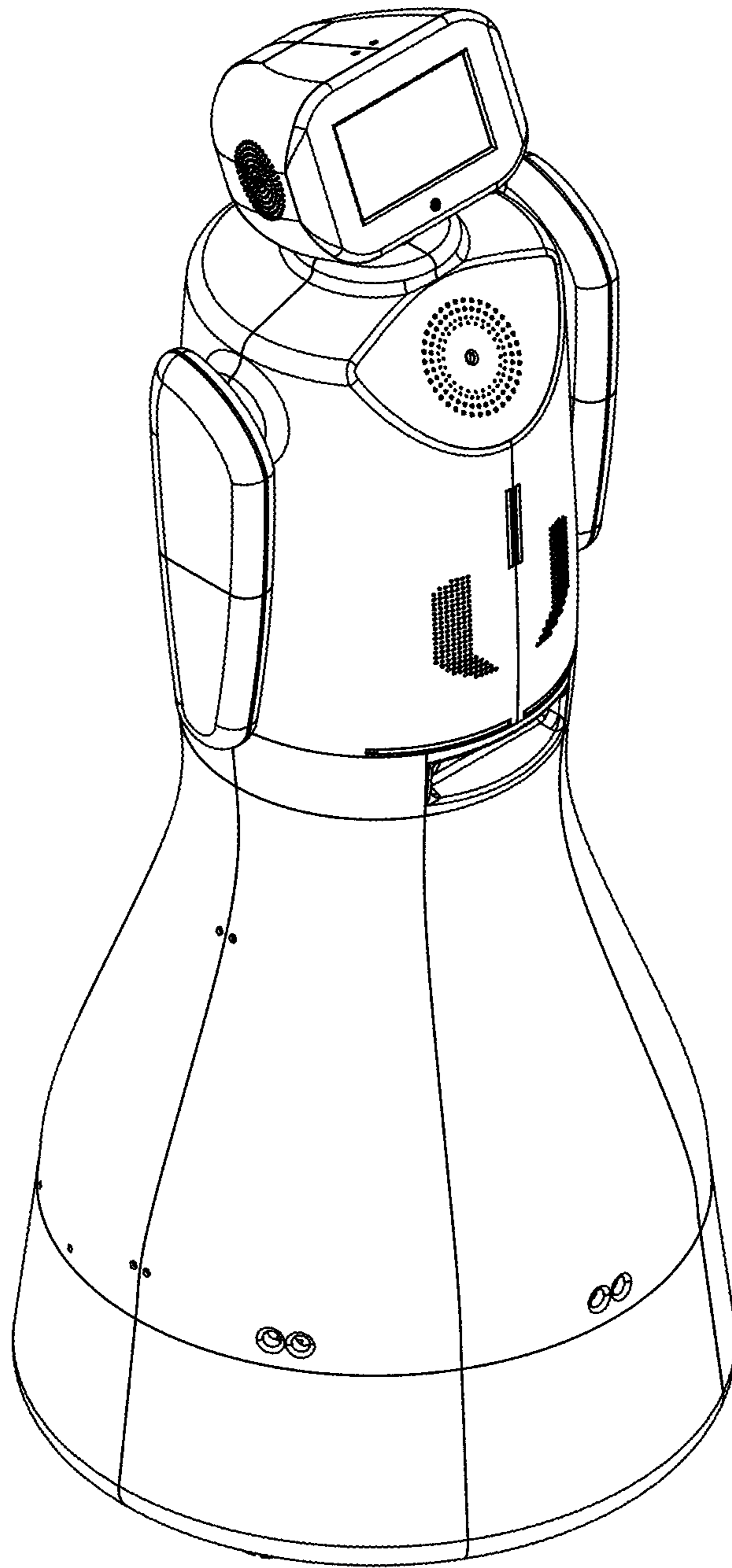


FIG. 6