



US00D919716S

(12) **United States Design Patent** (10) **Patent No.:** **US D919,716 S**  
**Chen** (45) **Date of Patent:** **\*\* May 18, 2021**

(54) **TOY**  
(71) Applicant: **Zhiwei Chen**, Shantou (CN)  
(72) Inventor: **Zhiwei Chen**, Shantou (CN)  
(\*\*) Term: **15 Years**  
(21) Appl. No.: **29/728,850**  
(22) Filed: **Mar. 21, 2020**  
(51) **LOC (13) Cl.** ..... **21-01**  
(52) **U.S. Cl.**  
USPC ..... **D21/528**  
(58) **Field of Classification Search**  
USPC ..... D21/515-516, 519, 522-525, 528,  
D21/530-532, 526  
CPC ..... B05B 17/08; B05B 17/00; B05B 1/02;  
B05B 15/00; E03C 1/08; B28B 1/00;  
A63H 33/00  
See application file for complete search history.

D476,702 S \* 7/2003 Daftari ..... D21/528  
D497,651 S \* 10/2004 McKee ..... D21/523  
D532,431 S \* 11/2006 Kreuzer ..... D15/135  
D598,963 S 8/2009 Liu  
D606,597 S \* 12/2009 Sohn ..... D21/519  
8,882,488 B2 \* 11/2014 Schultheis ..... B29C 48/02  
425/332  
D739,468 S 9/2015 Champ  
D783,735 S \* 4/2017 Yano ..... D21/530  
D856,433 S 8/2019 Naito  
D906,244 S \* 12/2020 Xu ..... D13/114  
2013/0181067 A1 7/2013 Todokoro

**FOREIGN PATENT DOCUMENTS**

CN 207076130 3/2018  
CN 305853184 \* 6/2020  
JP 2014223556 12/2014

\* cited by examiner

*Primary Examiner* — John R Yeh  
(74) *Attorney, Agent, or Firm* — Law Offices of Steven W. Weinrieb

(56) **References Cited**  
U.S. PATENT DOCUMENTS

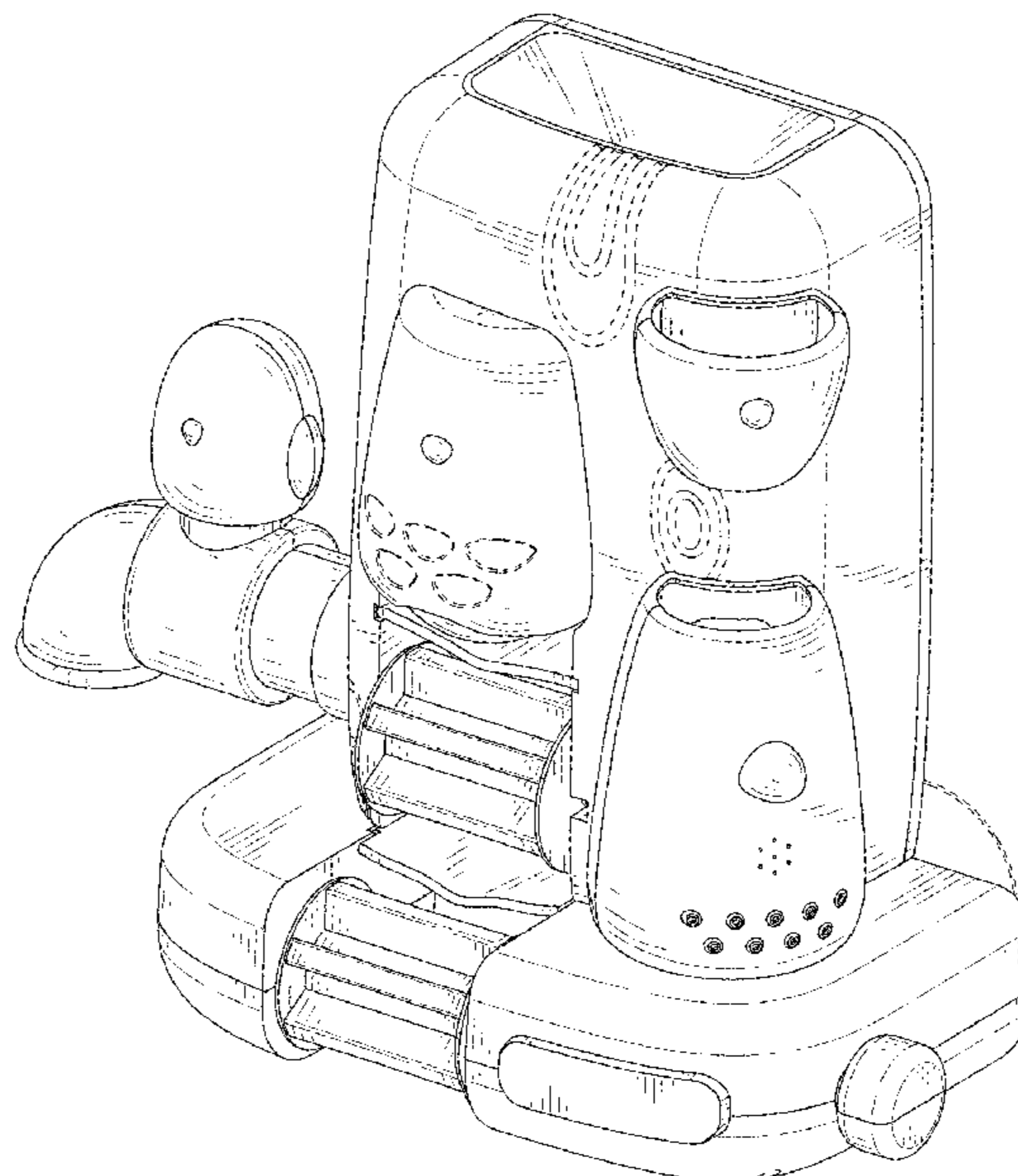
3,171,636 A \* 3/1965 Barlow ..... A47J 43/044  
366/141  
D234,788 S \* 4/1975 Barlow et al. .... D21/530  
D259,887 S 7/1981 Croushore  
D262,550 S 1/1982 Fisher  
D267,260 S \* 12/1982 Nagode ..... D21/530  
D268,043 S \* 2/1983 Orenstein ..... D21/528  
D303,129 S 8/1989 McElhaney  
D315,755 S \* 3/1991 Raffo ..... D21/532  
D322,996 S \* 1/1992 Batchen ..... D21/528  
5,337,956 A \* 8/1994 Crutcher ..... B05B 17/08  
239/211  
D403,378 S \* 12/1998 Lebensfeld ..... D21/528  
6,029,899 A \* 2/2000 Walker ..... B05B 17/08  
239/17  
D450,357 S 11/2001 Yamazaki  
D451,524 S \* 12/2001 Morris ..... D15/135

(57) **CLAIM**  
The ornamental design for a toy, as shown and described.

**DESCRIPTION**

FIG. 1 is a front, right side, top perspective view of a toy showing my new design;  
FIG. 2 is a rear, right side, bottom perspective view thereof;  
FIG. 3 is a front elevational view thereof;  
FIG. 4 is a rear elevational view thereof;  
FIG. 5 is a left side elevational view thereof;  
FIG. 6 is a right side elevational view thereof;  
FIG. 7 is a top plan view thereof; and,  
FIG. 8 is a bottom plan view thereof.  
The broken lines depict portions of the toy that form no part of the claimed design.

**1 Claim, 8 Drawing Sheets**



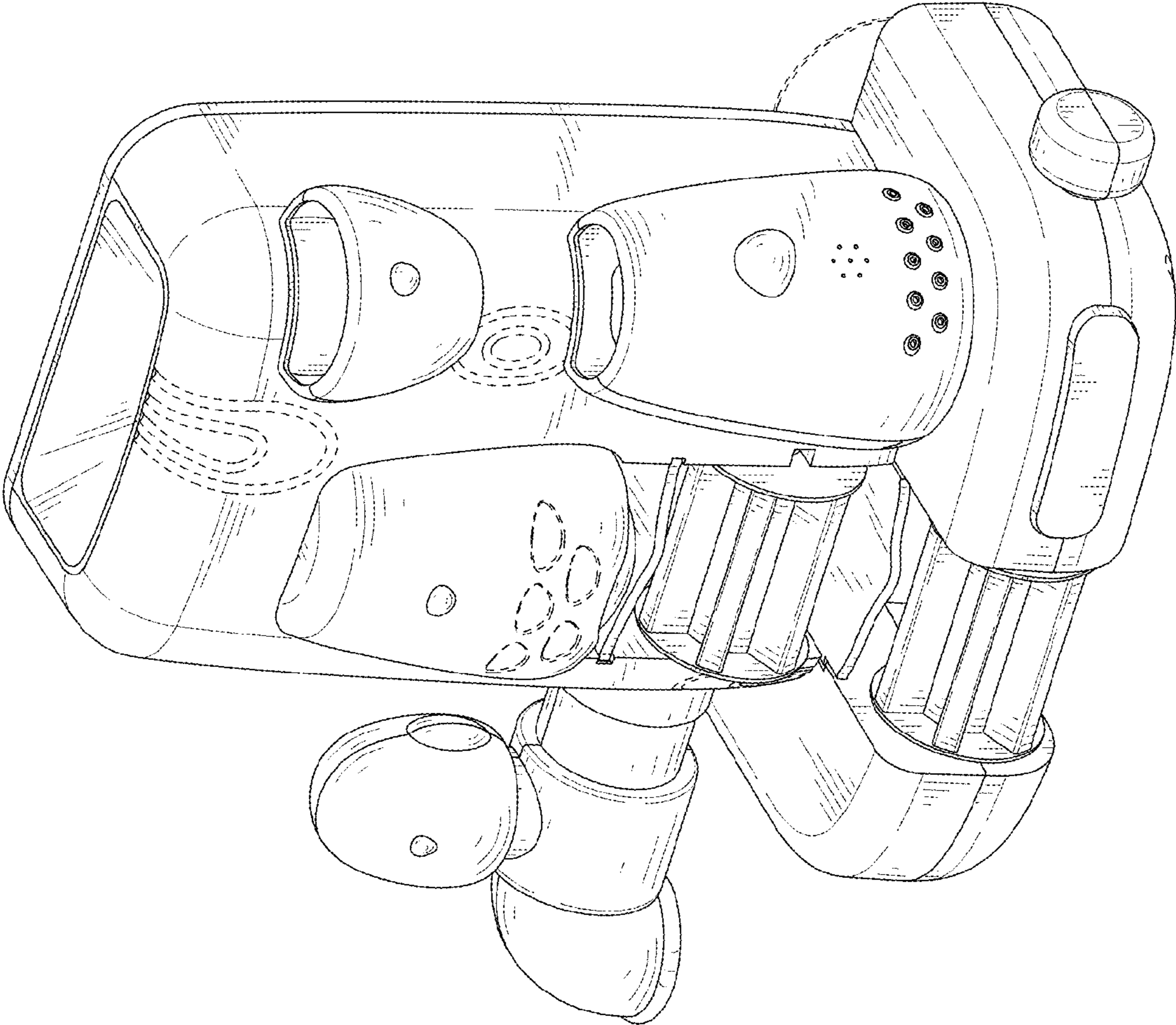


FIG. 1

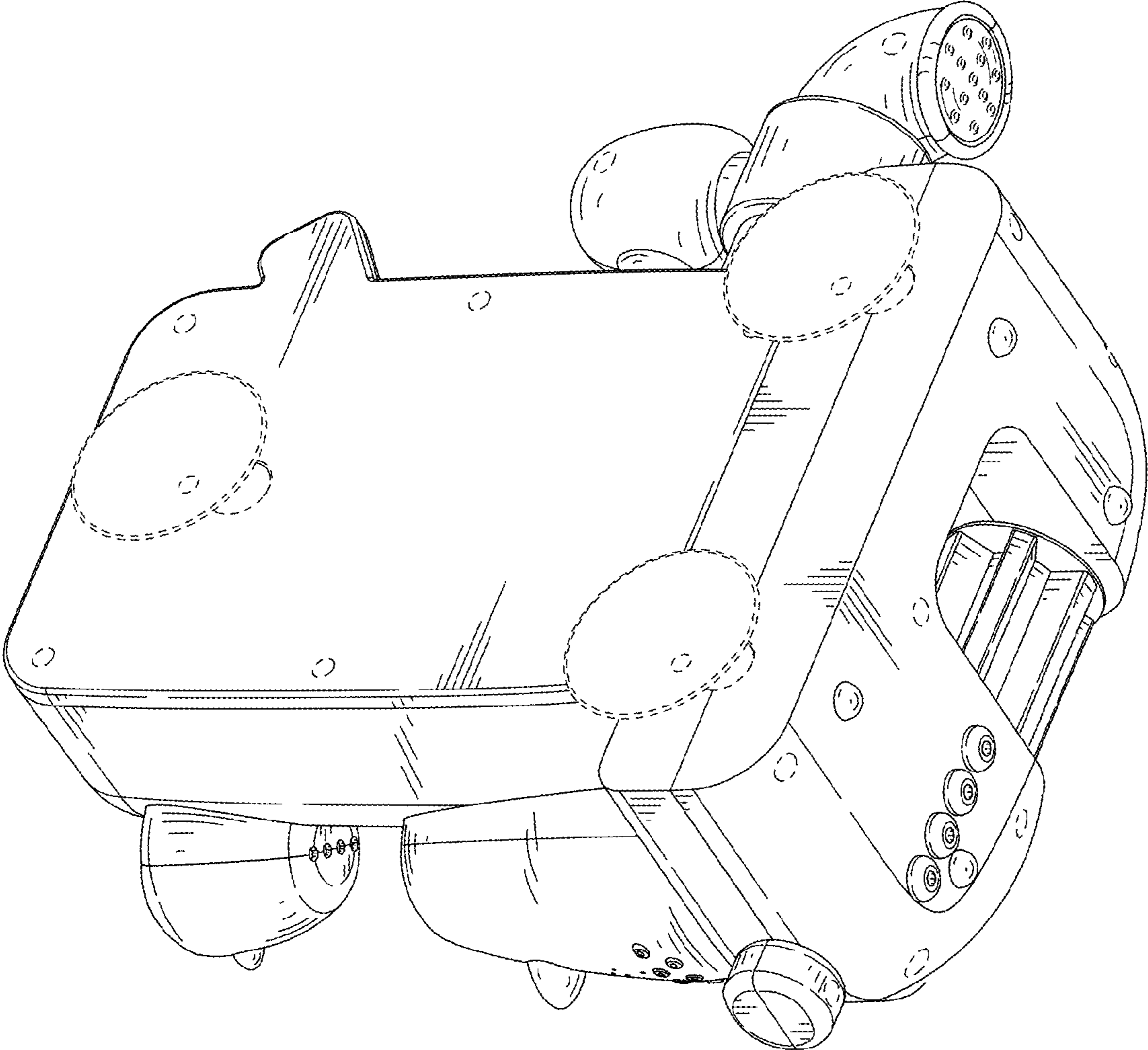


FIG. 2

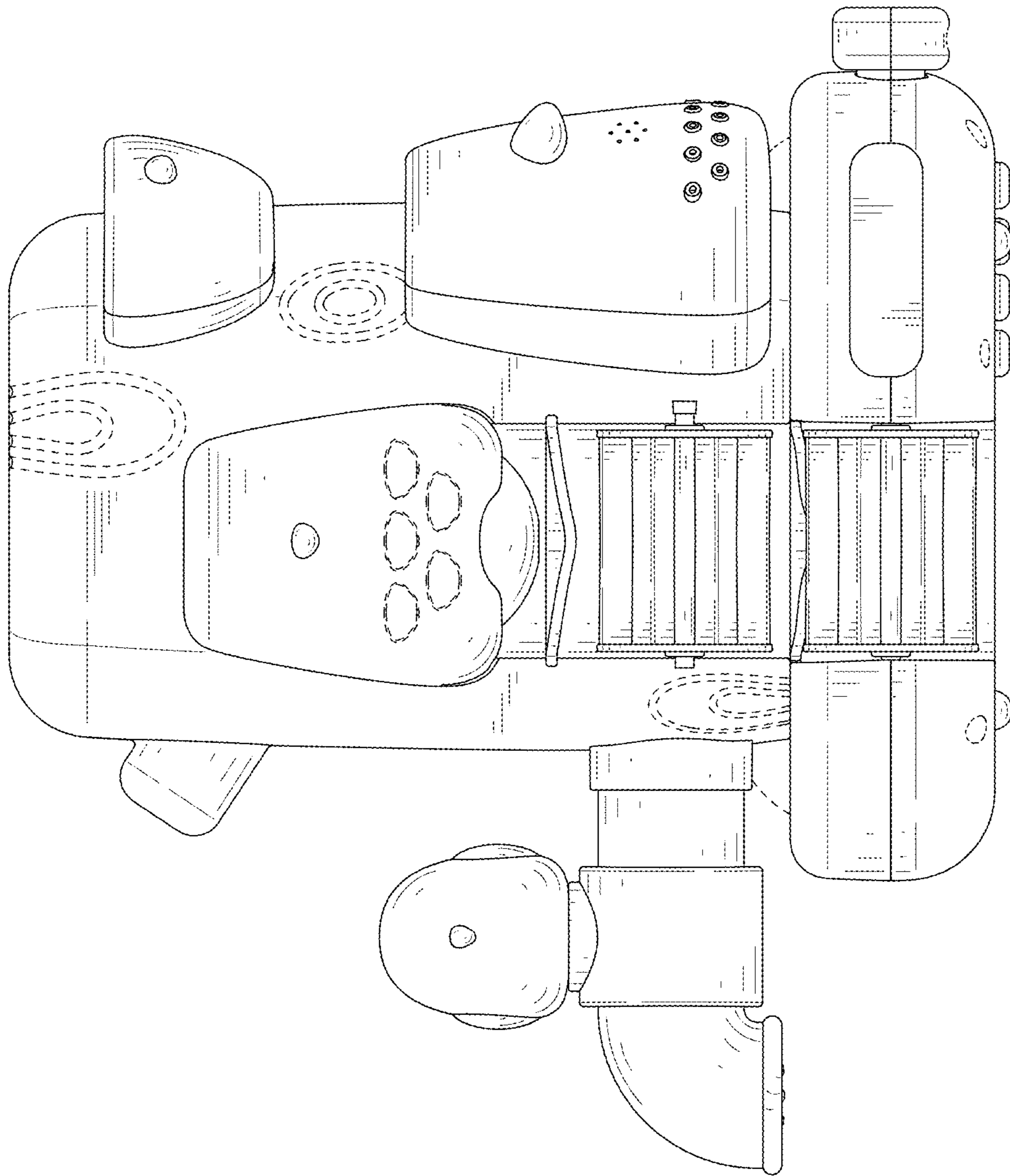


FIG. 3

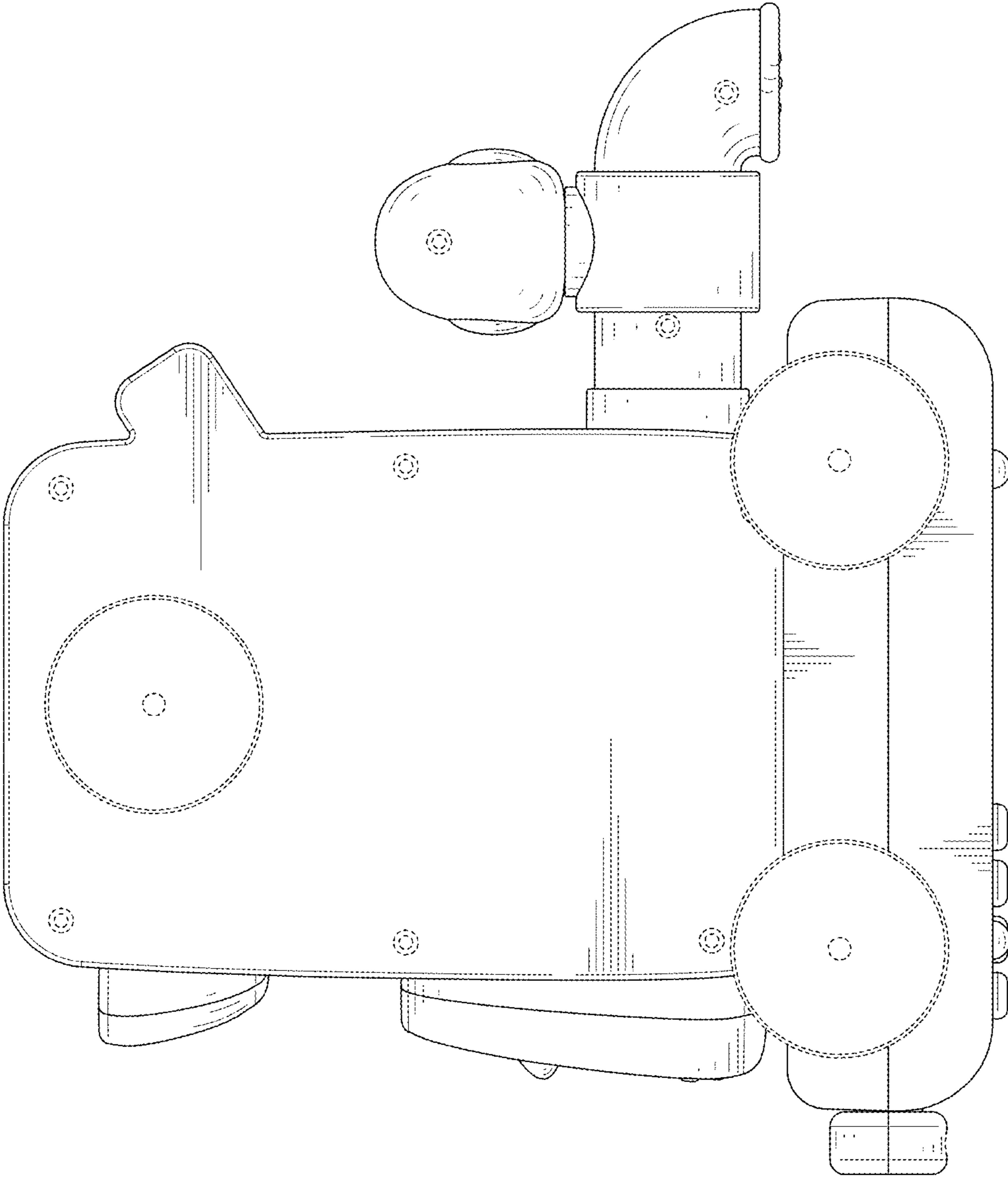


FIG. 4

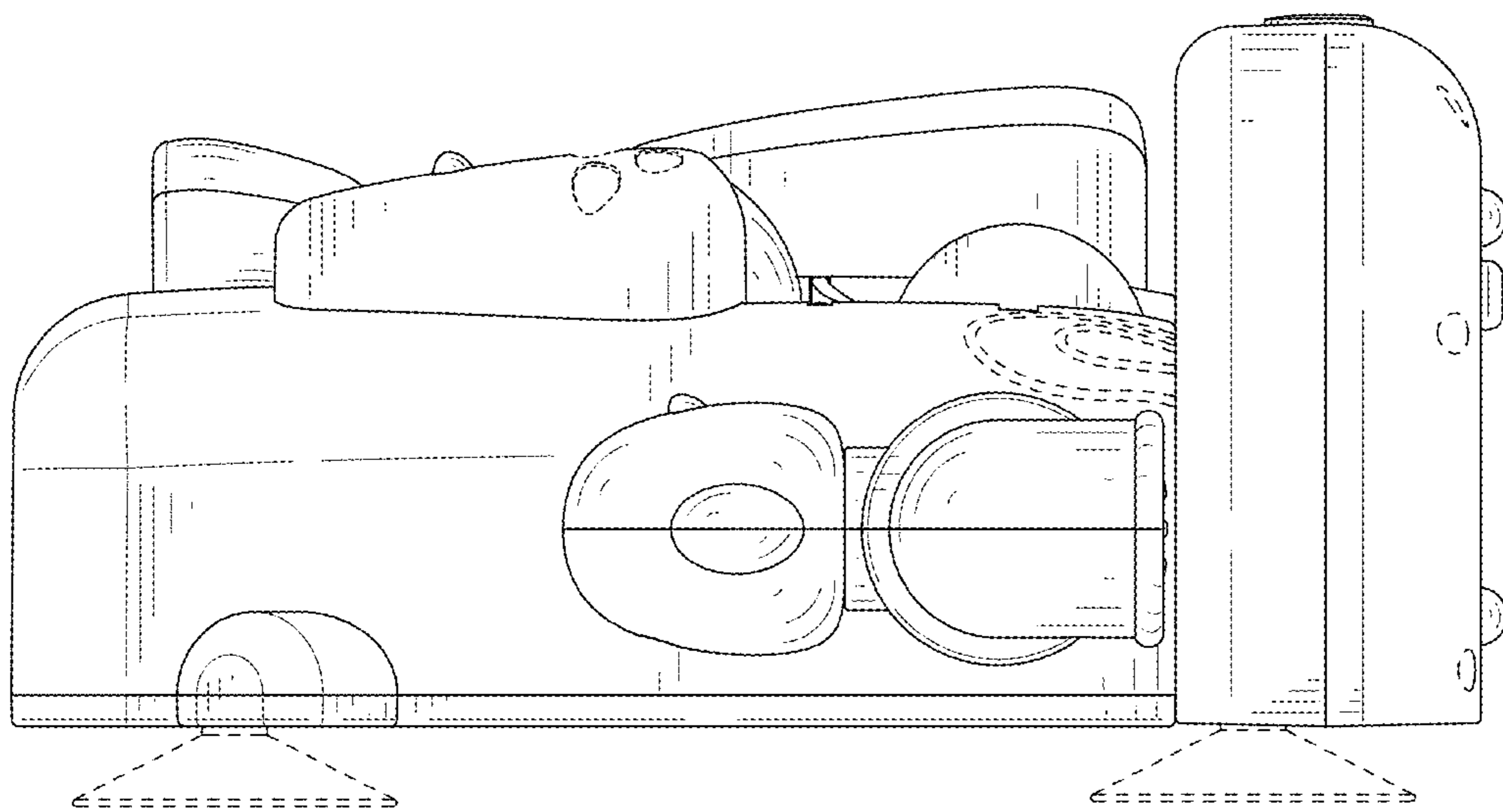


FIG. 5

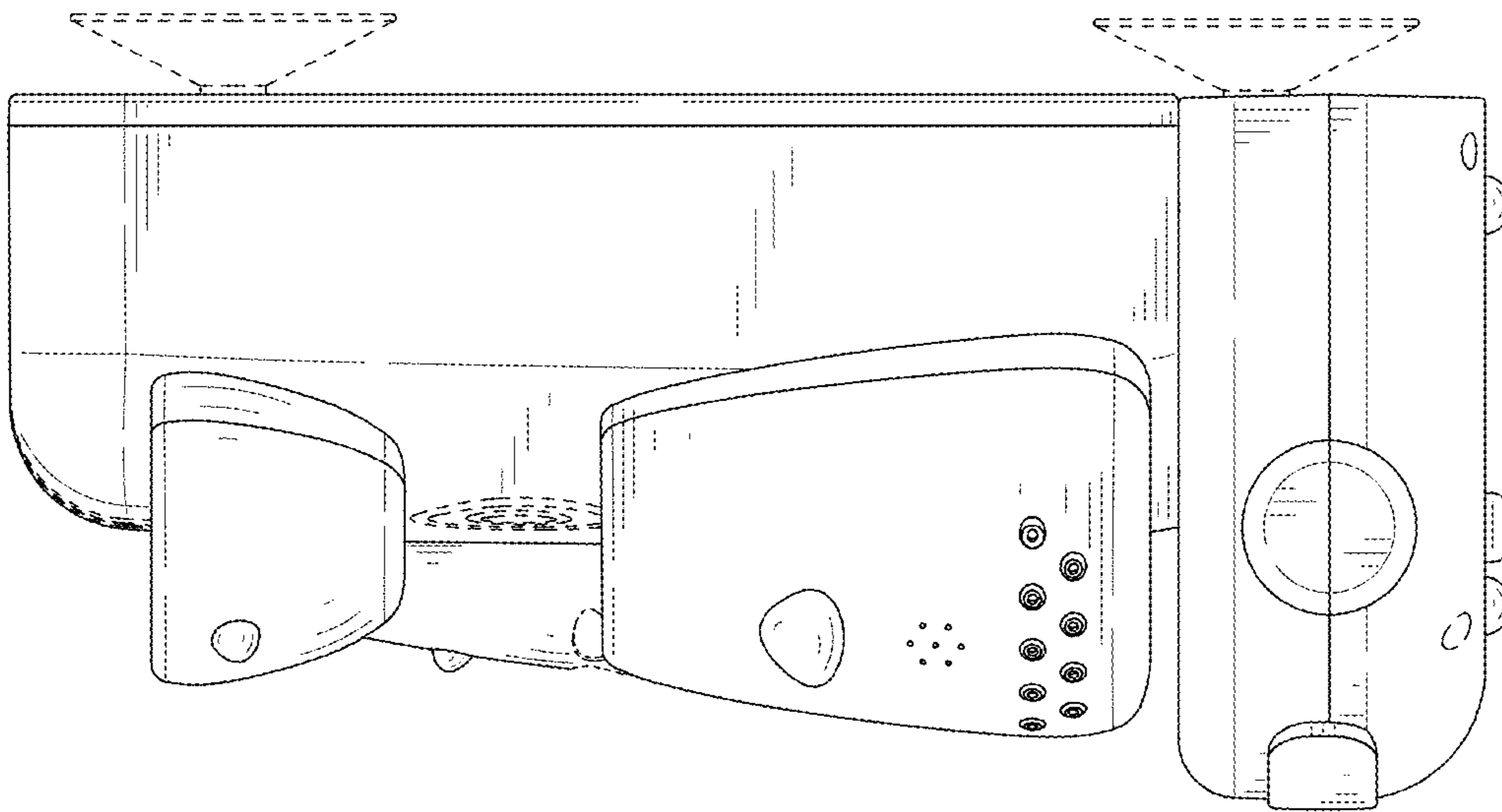


FIG. 6

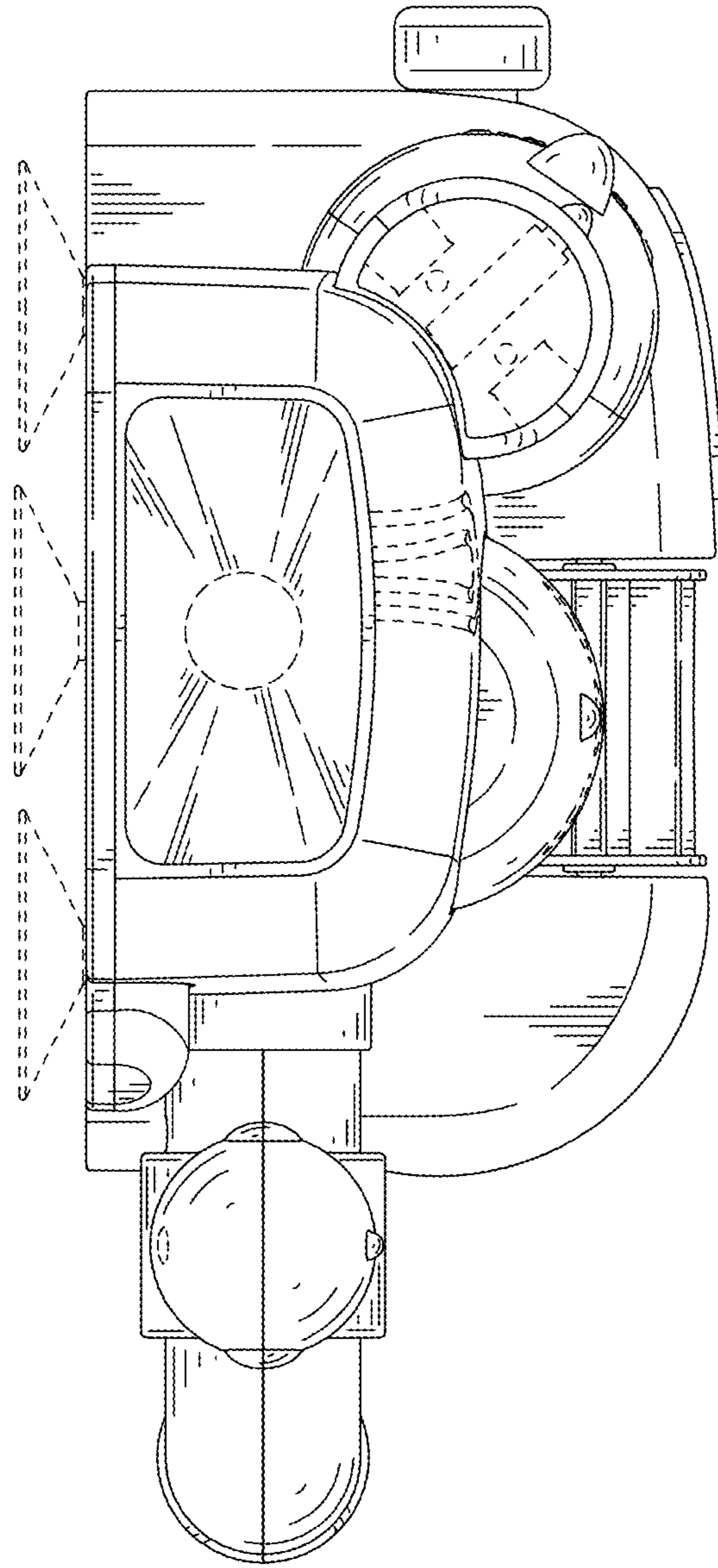


FIG. 7



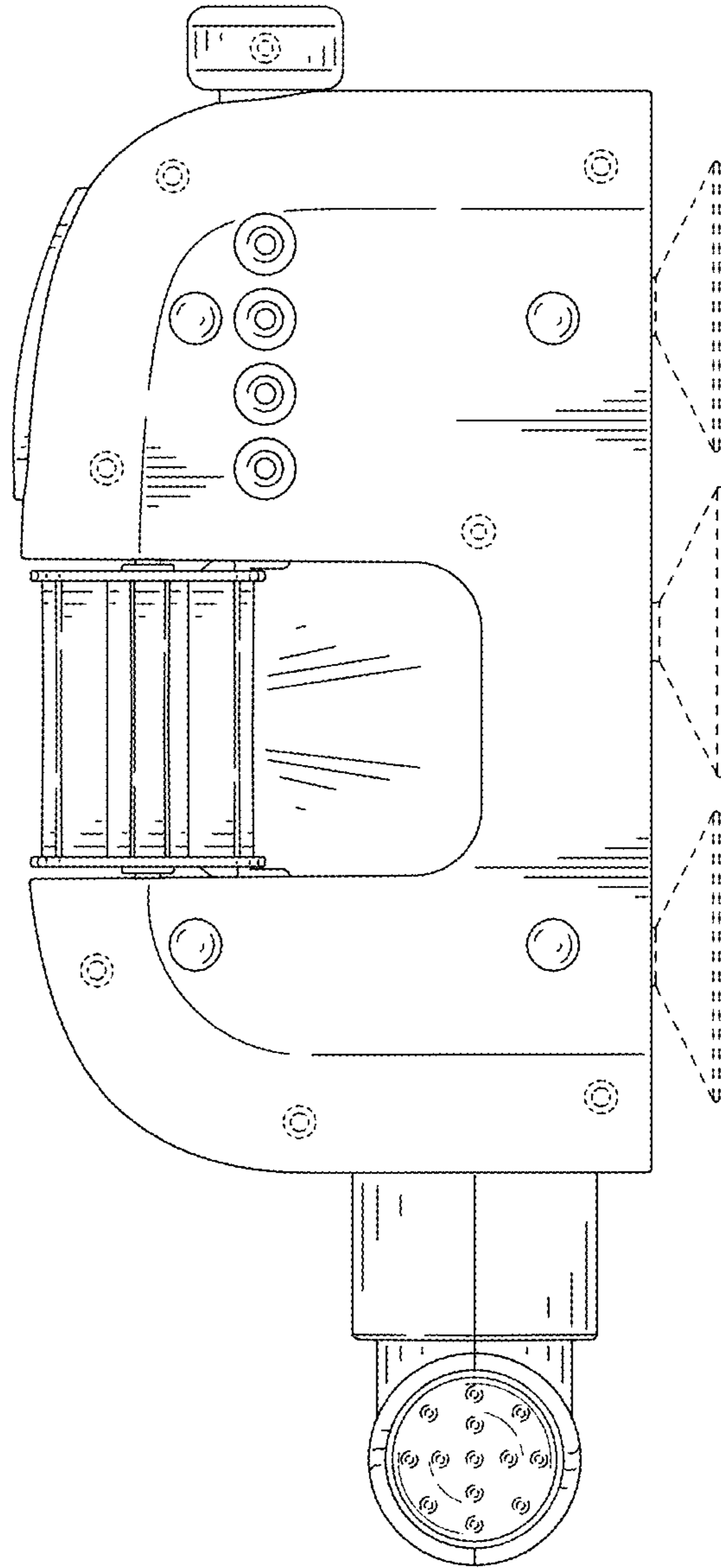


FIG. 8