



US00D919715S

(12) **United States Design Patent** (10) **Patent No.:** **US D919,715 S**  
**Bruggeman** (45) **Date of Patent:** **\*\* \*May 18, 2021**

- (54) **PLAY OVEN**
- (71) Applicant: **Lakeshore Equipment Company,**  
Carson, CA (US)
- (72) Inventor: **Meghan Bruggeman,** Torrance, CA  
(US)
- (73) Assignee: **Lakeshore Equipment Company,**  
Carson, CA (US)
- (\*) Notice: This patent is subject to a terminal disclaimer.
- (\*\*) Term: **15 Years**
- (21) Appl. No.: **29/726,612**
- (22) Filed: **Mar. 4, 2020**
- (51) **LOC (13) Cl.** ..... **21-01**
- (52) **U.S. Cl.**  
USPC ..... **D21/524**
- (58) **Field of Classification Search**  
USPC ..... D21/515-516, 519, 522-525, 528,  
D21/530-532; D14/203.7, 341-342, 389,  
D14/440  
CPC ..... B05B 17/08; B05B 17/00; E03C 1/08;  
B28B 1/00; A63H 33/00; A63H 33/30  
See application file for complete search history.

- D370,947 S \* 6/1996 Pipik ..... D21/524
- D486,533 S \* 2/2004 Morris ..... D21/542
- D488,520 S \* 4/2004 Yuen ..... D21/524
- 7,094,126 B1 \* 8/2006 Lenihan ..... A63H 33/3055  
446/481
- D577,777 S \* 9/2008 Shen ..... D21/524
- D668,303 S \* 10/2012 Desberg ..... D21/524
- D819,753 S \* 6/2018 Follett ..... D21/524
- D825,008 S \* 8/2018 Follett ..... D21/524
- D902,325 S \* 11/2020 Johnson ..... D21/524

(Continued)

**FOREIGN PATENT DOCUMENTS**

JP D1662961 \* 7/2020

**OTHER PUBLICATIONS**

Best Play Kitchens for Kids 2020, Food Network blogs, <https://www.foodnetwork.com/fn-dish/shopping/best-play-kitchens-for-kids> site visited Feb. 26, 2021.\*

(Continued)

*Primary Examiner* — John R Yeh

(74) *Attorney, Agent, or Firm* — Banner & Witcoff, Ltd.

(57) **CLAIM**

The ornamental design for a play oven, as shown and described.

**DESCRIPTION**

FIG. 1 is a top, front, right perspective photographic view of a play oven showing my new design;  
FIG. 2 is a top, front, left perspective photographic view thereof;  
FIG. 3 is a front photographic view thereof;  
FIG. 4 is a left side photographic view thereof;  
FIG. 5 is a right side photographic view thereof; and,  
FIG. 6 is a top photographic view thereof.  
The broken lines depict portions of the play oven that form no part of the claimed design.

**1 Claim, 6 Drawing Sheets**

(56) **References Cited**  
U.S. PATENT DOCUMENTS

- D260,104 S \* 8/1981 Klawitter ..... D21/524
- D260,274 S \* 8/1981 Appel ..... D21/524
- D261,160 S \* 10/1981 Rapaport ..... D21/524
- D261,404 S \* 10/1981 Appel ..... D21/524
- D262,299 S \* 12/1981 Jones ..... D21/524
- 4,515,359 A \* 5/1985 Mariol ..... A63H 33/3055  
108/33
- D288,702 S \* 3/1987 Bedell ..... D21/524
- 4,772,243 A \* 9/1988 Zeiss ..... A63H 33/3055  
126/191



(56)

**References Cited**

U.S. PATENT DOCUMENTS

2012/0225605 A1\* 9/2012 Fein ..... A63H 33/3055  
446/481

OTHER PUBLICATIONS

Oxford Toy Kitchen | Le Toy Van website 2021, <https://letoyvan.com/products/oxford-toy-kitchen>, site visited Feb. 26, 2021.\*

“Good Wood Play Kitchen Sets”; homesfeed; retrieved Feb. 27, 2020; disclosure date unknown but prior to the filing date of the present application; URL: <<https://homesfeed.com/good-wood-play-kitchen-sets/>>.

“Preschool Cedar Mud Kitchen”; school outfitters; retrieved Feb. 27, 2020; disclosure date unknown but prior to the filing date of the

present application; URL: <[https://www.schooloutfitters.com/catalog/product\\_info/pfam\\_id/PFAM67046/products\\_id/PRO77814](https://www.schooloutfitters.com/catalog/product_info/pfam_id/PFAM67046/products_id/PRO77814)>.

“Pump and Play Mud Kitchen”; Lakeshore Learning; retrieved Feb. 27, 2020; disclosure date unknown but prior to the filing date of the present application; URL: <<https://www.lakeshorelearning.com/products/sand-water/sand-water-tables/pump-play-mud-kitchen/p/LC737>>.

“Outdoor Mud Kitchen”; Kaplan Co; retrieved Feb. 27, 2020; disclosure date unknown but prior to the filing date of the present application; URL: <<https://www.kaplanco.com/product/32334/outdoor-mud-kitchen-with-pump>>.

“Excellerations Outdoor Toddler Mud Kitchen”; Discount School Supply; retrieved Feb. 27, 2020; disclosure date unknown but prior to the filing date of the present application; URL: <[https://www.discountschoolsupply.com/play-learn/outdoor-learning/outdoor-tools/excellerations-outdoor-toddler-mud-kitchen/p/41007](https://www.discountchoolsupply.com/play-learn/outdoor-learning/outdoor-tools/excellerations-outdoor-toddler-mud-kitchen/p/41007)>.

\* cited by examiner





FIG. 1





FIG. 2





FIG. 3



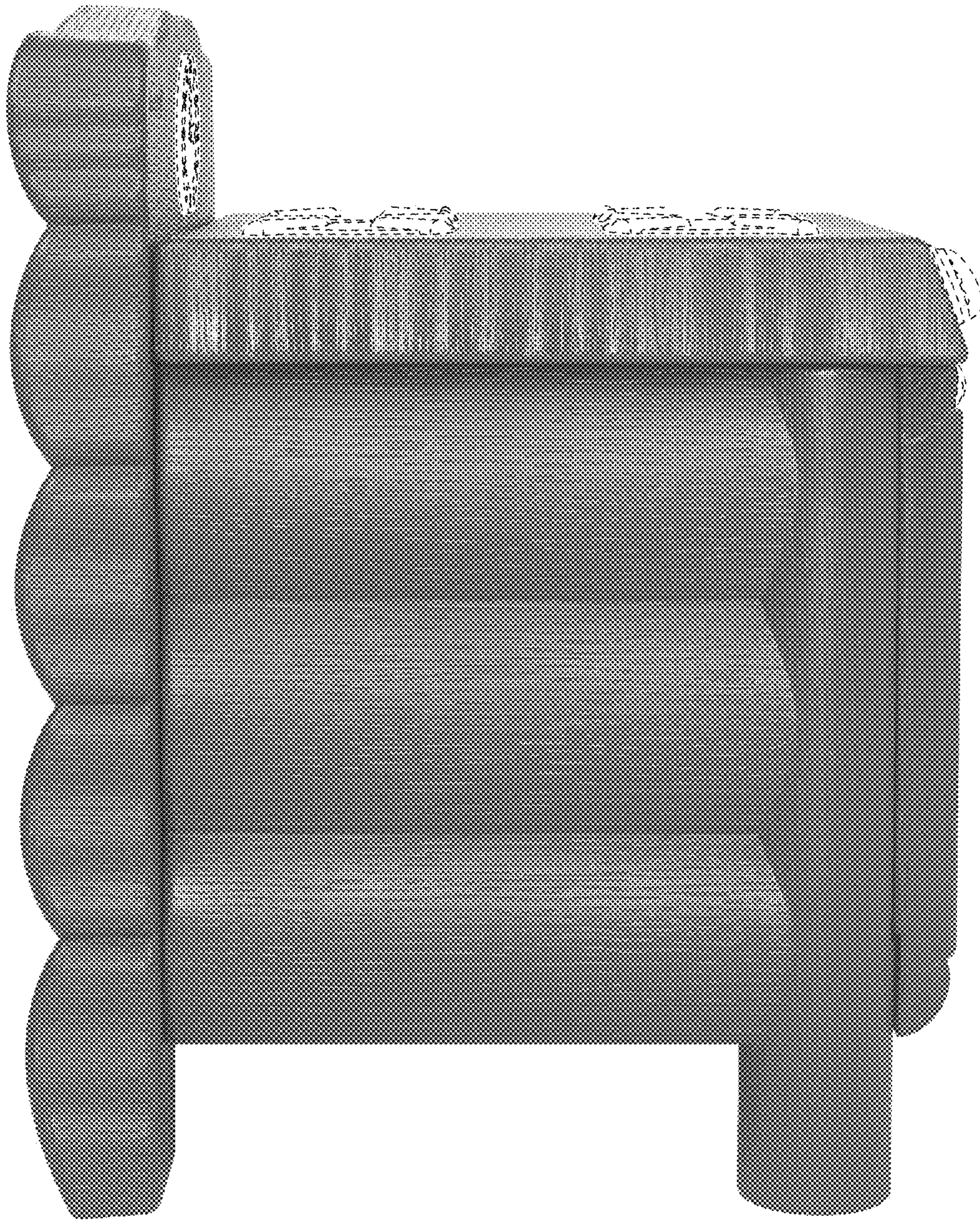


FIG. 4



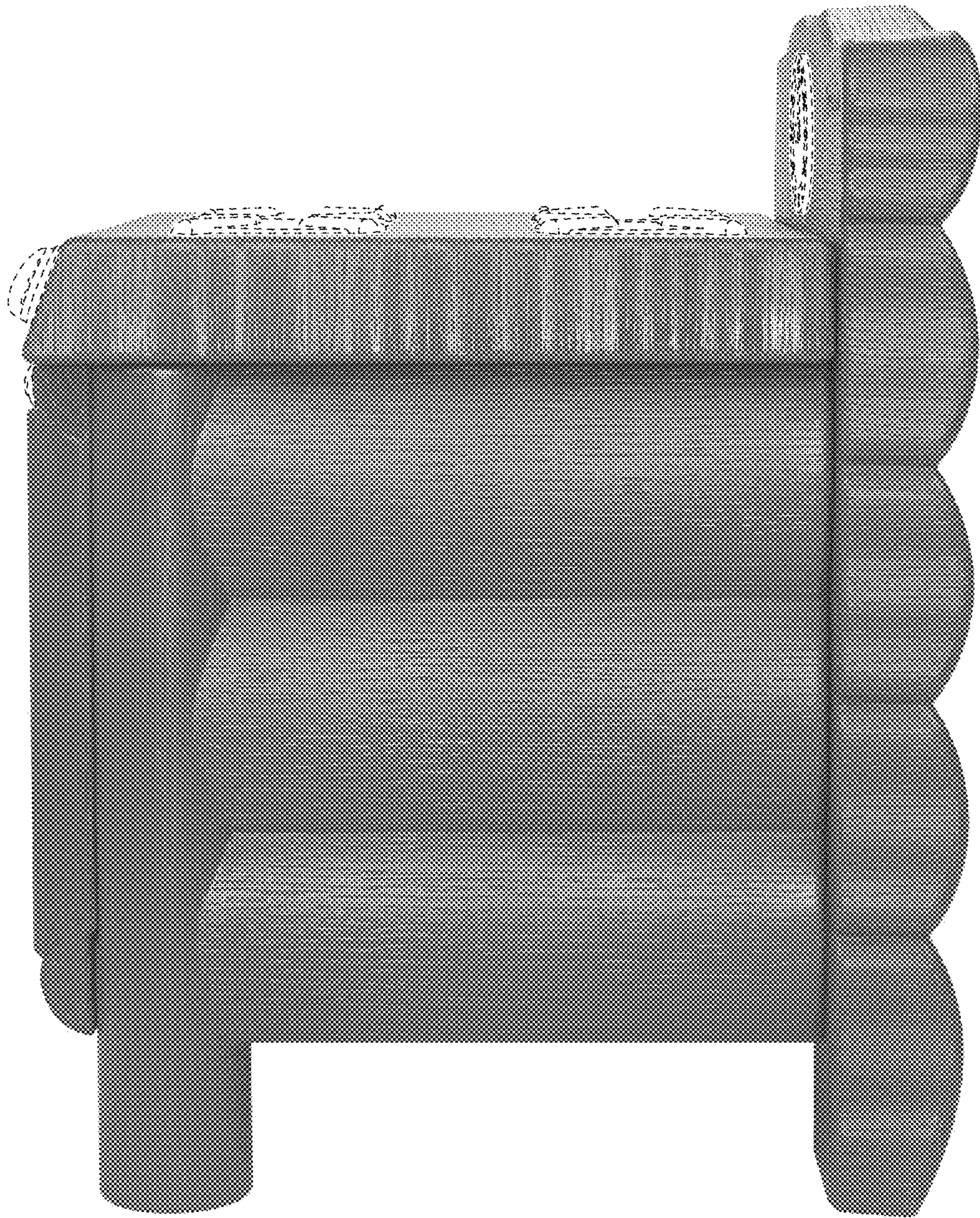


FIG. 5



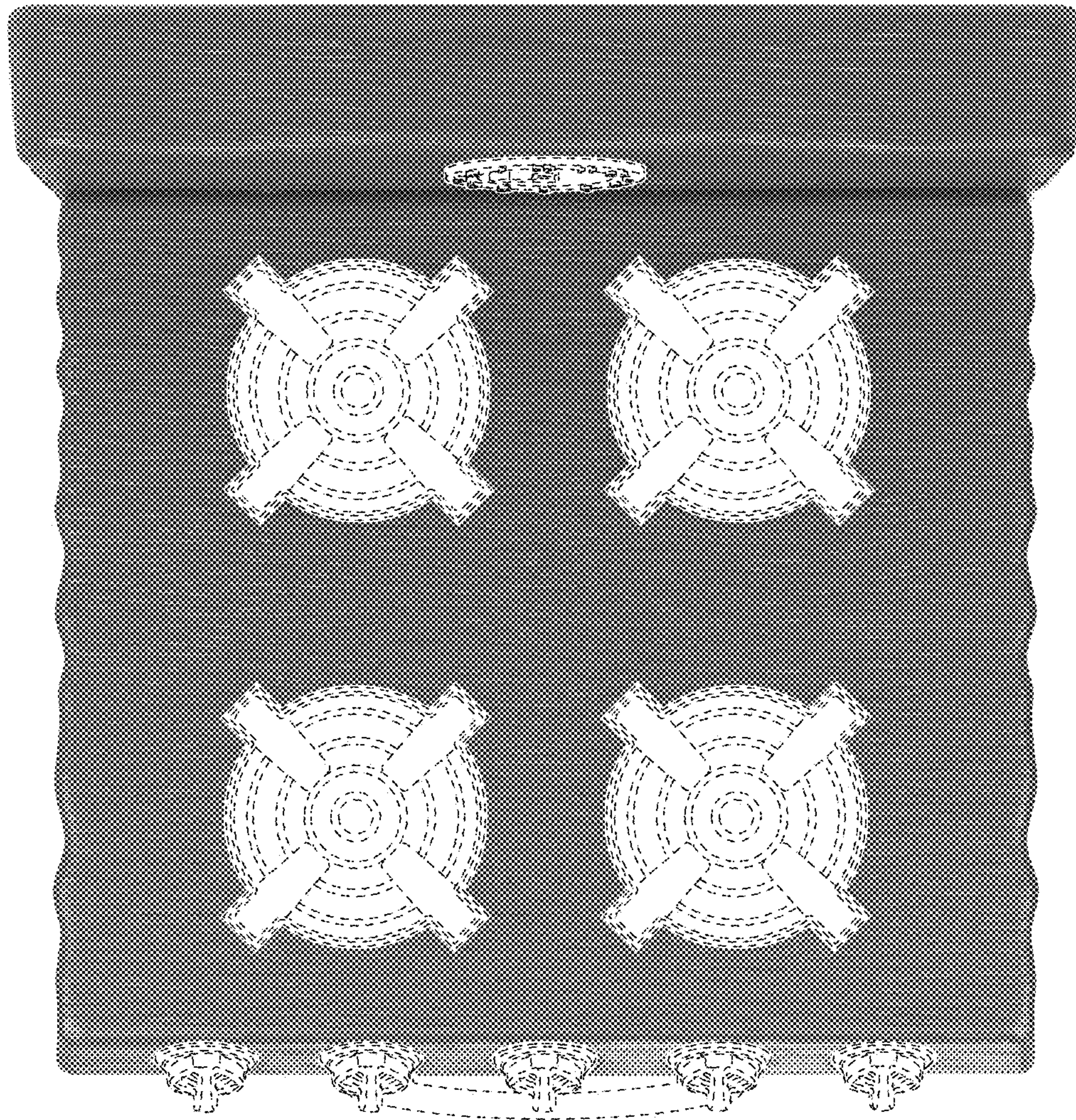


FIG. 6