



US00D919713S

(12) **United States Design Patent** (10) **Patent No.:** **US D919,713 S**
Terry (45) **Date of Patent:** **** May 18, 2021**

(54) **GUIDE STICK AND HOOP TOY ASSEMBLY**

(71) Applicant: **Kevin J. Terry**, St. George, UT (US)

(72) Inventor: **Kevin J. Terry**, St. George, UT (US)

(**) Term: **15 Years**

(21) Appl. No.: **29/661,637**

(22) Filed: **Aug. 29, 2018**

(51) **LOC (13) Cl.** **21-01**

(52) **U.S. Cl.**
USPC **D21/457**

(58) **Field of Classification Search**
USPC D21/421, 455, 457, 461, 722, 726;
446/411, 444, 450, 452, 453; 273/126 R,
273/129 L, 129 R; 473/412, 516, 558,
473/589

CPC A63H 33/02; A63H 33/007; A63B 59/60;
A63B 2102/34; A63B 2102/36; A63B
67/00; A63B 67/02; A63B 67/06; A63F
7/0668; A63F 7/2436; A63F 7/40; A63F
2007/2445; A63F 2007/2454

See application file for complete search history.

(56) **References Cited**

U.S. PATENT DOCUMENTS

- 2,985,985 A * 5/1961 Le Brooy A63H 33/02
446/450
- 3,037,321 A * 6/1962 Thomason A63H 1/30
446/452
- 3,049,833 A * 8/1962 Felsch A63H 33/02
446/170
- 3,123,937 A * 3/1964 Pace A63H 33/02
446/450
- D198,460 S * 6/1964 McCollom D21/457
- 3,135,514 A * 6/1964 Ahrent A63F 7/0017
473/410
- D205,364 S * 7/1966 Schumm et al. D21/457
- D205,684 S * 9/1966 Schumm et al. D9/715

- D210,892 S * 4/1968 Redhair D21/457
- 3,603,028 A * 9/1971 Thorstad A63H 33/02
446/411
- 3,715,834 A * 2/1973 Gelis A63H 33/02
446/450

(Continued)

FOREIGN PATENT DOCUMENTS

- CH 588257 A5 * 5/1977 A63H 33/02
- DE 9015800 U1 * 9/1991 A63C 19/00
- IN 263200-0001 * 5/2015

Primary Examiner — Catherine A Tuttle

(74) *Attorney, Agent, or Firm* — Gurr Brande & Spendlove PLLC; Robert A. Gurr

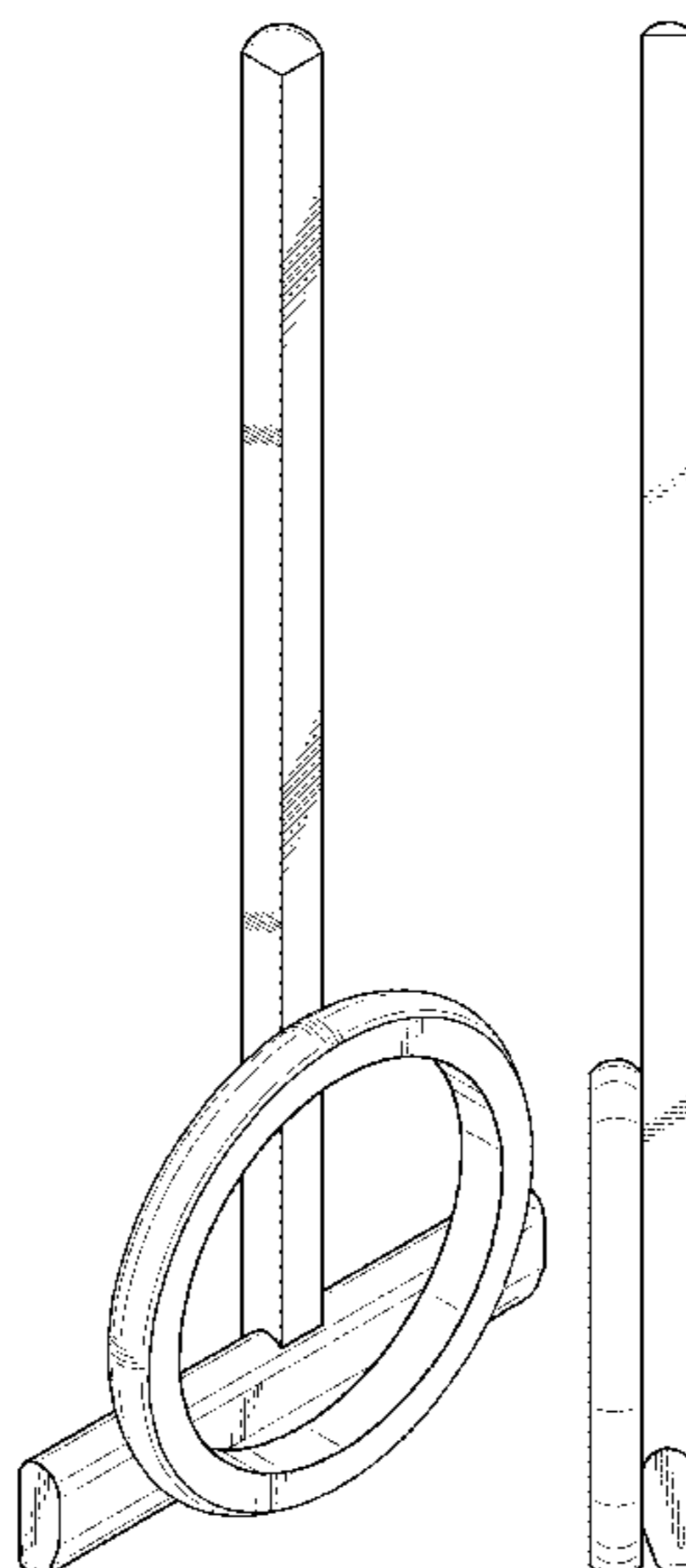
(57) **CLAIM**

The ornamental design for a guide stick and hoop toy assembly, as shown and described.

DESCRIPTION

FIG. 1 is a perspective view of the guide stick and hoop toy assembly showing my new design;
 FIG. 2 is a front elevation view thereof;
 FIG. 3 is a side elevation view thereof;
 FIG. 4 is a back elevation view thereof;
 FIG. 5 is a bottom plan view thereof;
 FIG. 6 is a top plan view thereof;
 FIG. 7 is a perspective view of the guide stick element, shown separately for clarity of illustration;
 FIG. 8 is a front elevation view thereof;
 FIG. 9 is a side elevation view thereof;
 FIG. 10 is a back elevation view thereof;
 FIG. 11 is a bottom plan view thereof;
 FIG. 12 is a top plan view thereof;
 FIG. 13 is a perspective view of the hoop element, shown separately for clarity of illustration;
 FIG. 14 is a front elevation view thereof, the rear elevation view being a the same; and,
 FIG. 15 is a side elevation view thereof, the top and bottom plan views being a the same.

1 Claim, 10 Drawing Sheets



(56)

References Cited

U.S. PATENT DOCUMENTS

D232,955	S	*	9/1974	Fiene et al.	D21/457
3,939,603	A	*	2/1976	Skinner	A63H 5/00 446/411
4,102,076	A	*	7/1978	Martin	A63H 33/02 446/450
D249,572	S	*	9/1978	Foster	D21/457
D274,445	S	*	6/1984	Mutch	D21/457
4,897,069	A	*	1/1990	Overturf	A63H 33/02 446/219
D361,801	S	*	8/1995	Hill	D21/457
D367,682	S	*	3/1996	Hermsmeyer	D21/457
D446,262	S	*	8/2001	Dudley	D21/457
2010/0176554	A1	*	7/2010	Godwin	A63B 71/0036 273/338

* cited by examiner

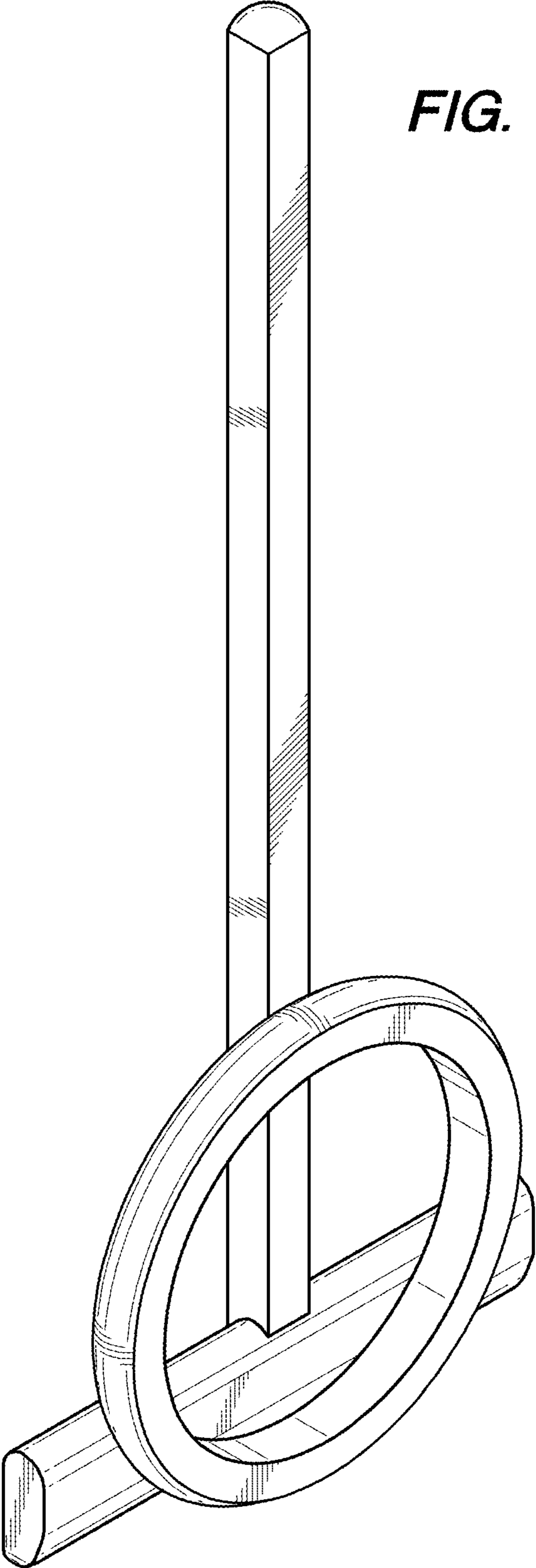


FIG. 1

FIG. 2

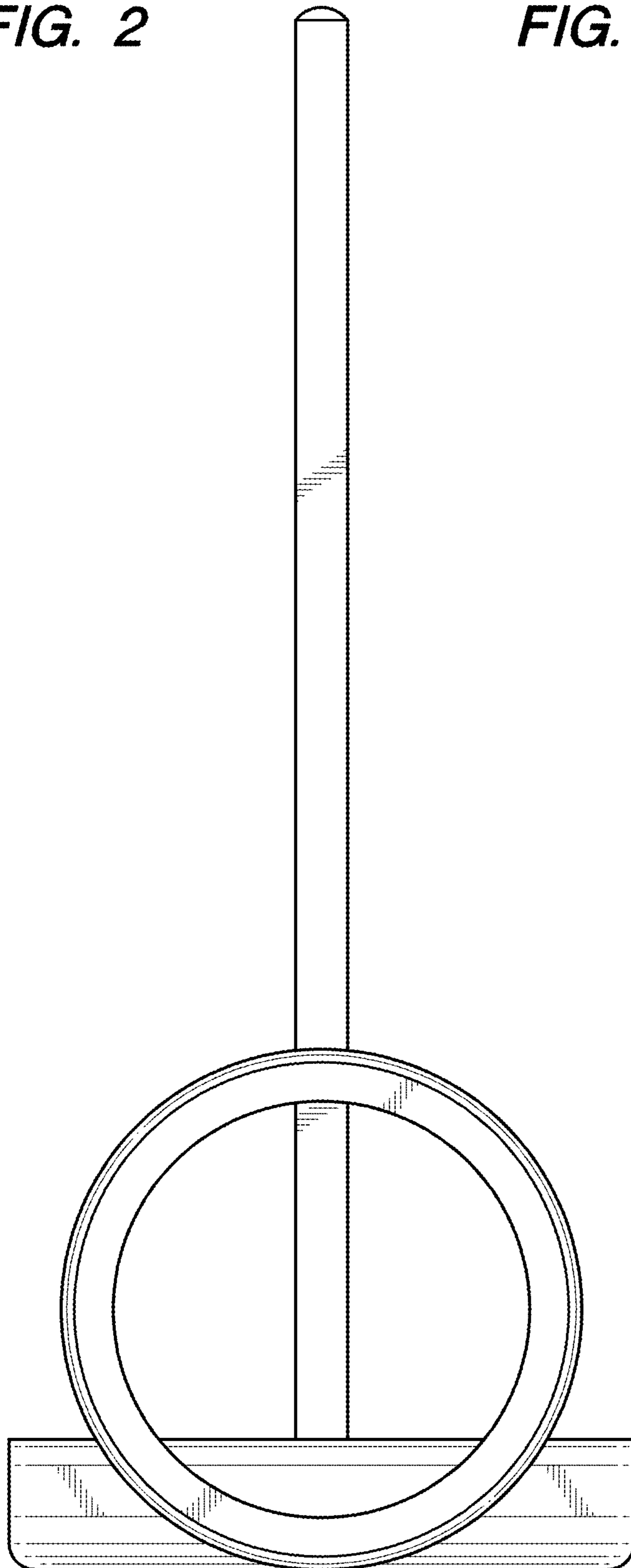


FIG. 3

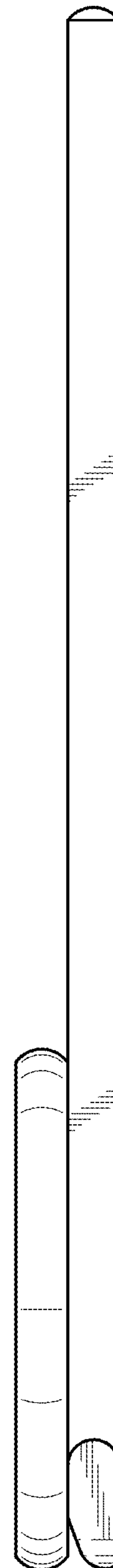


FIG. 4

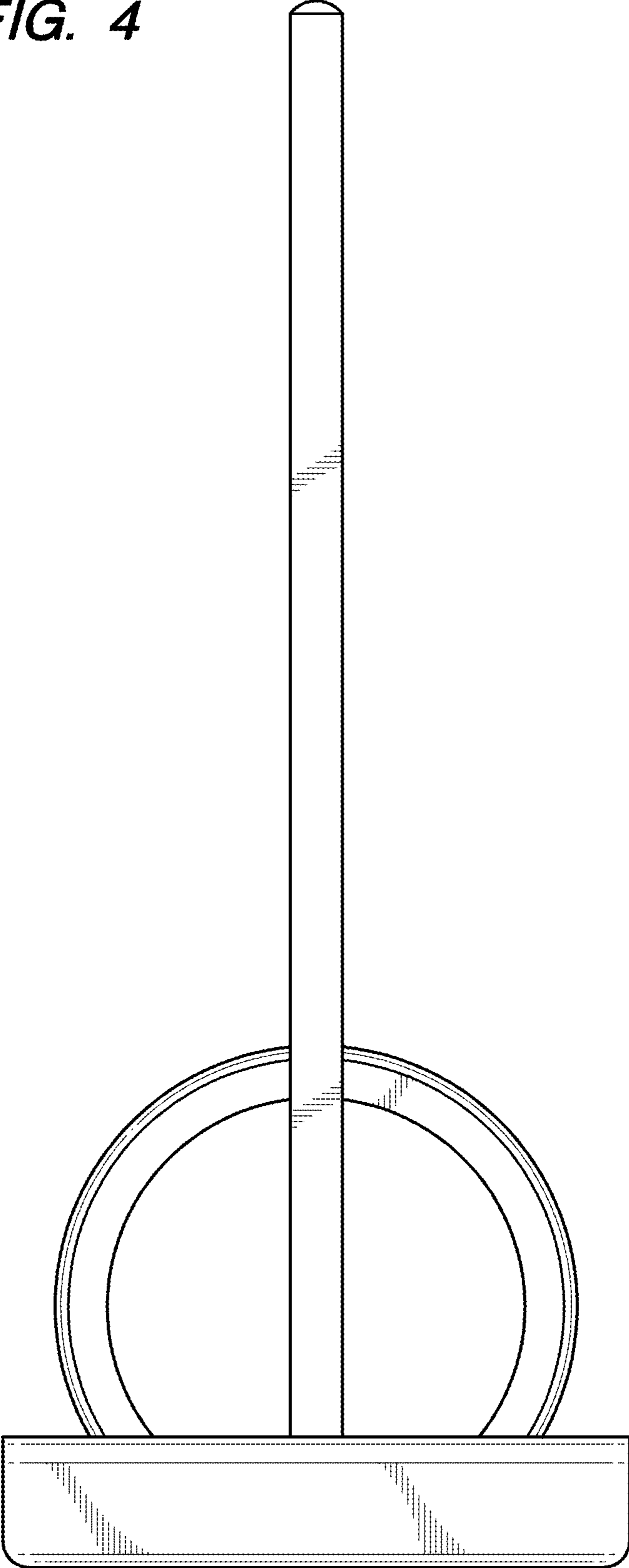


FIG. 5

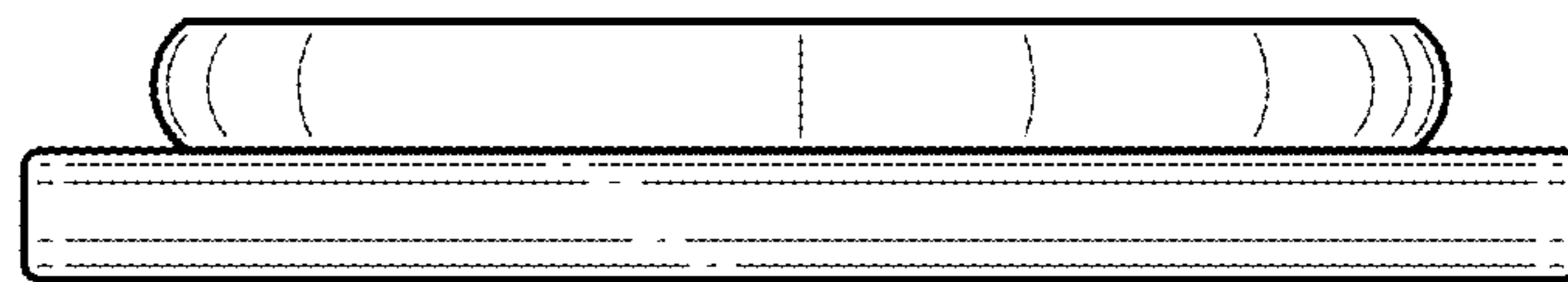
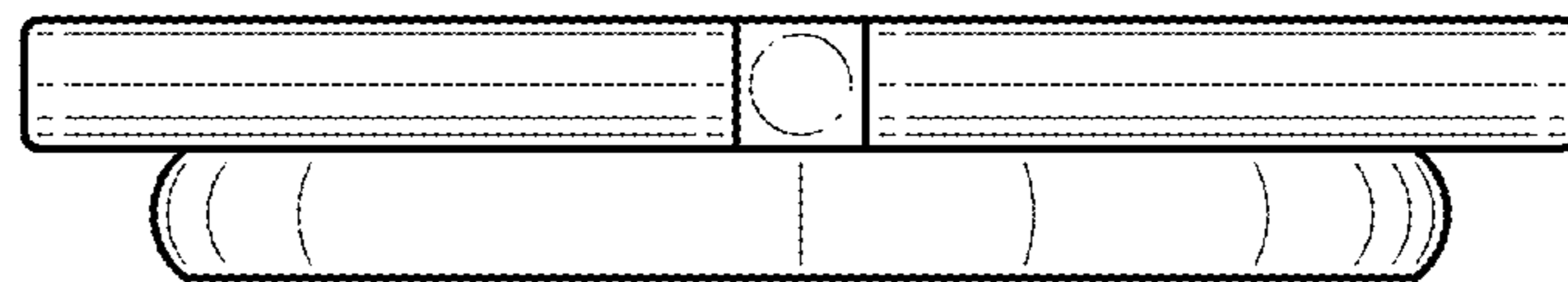


FIG. 6



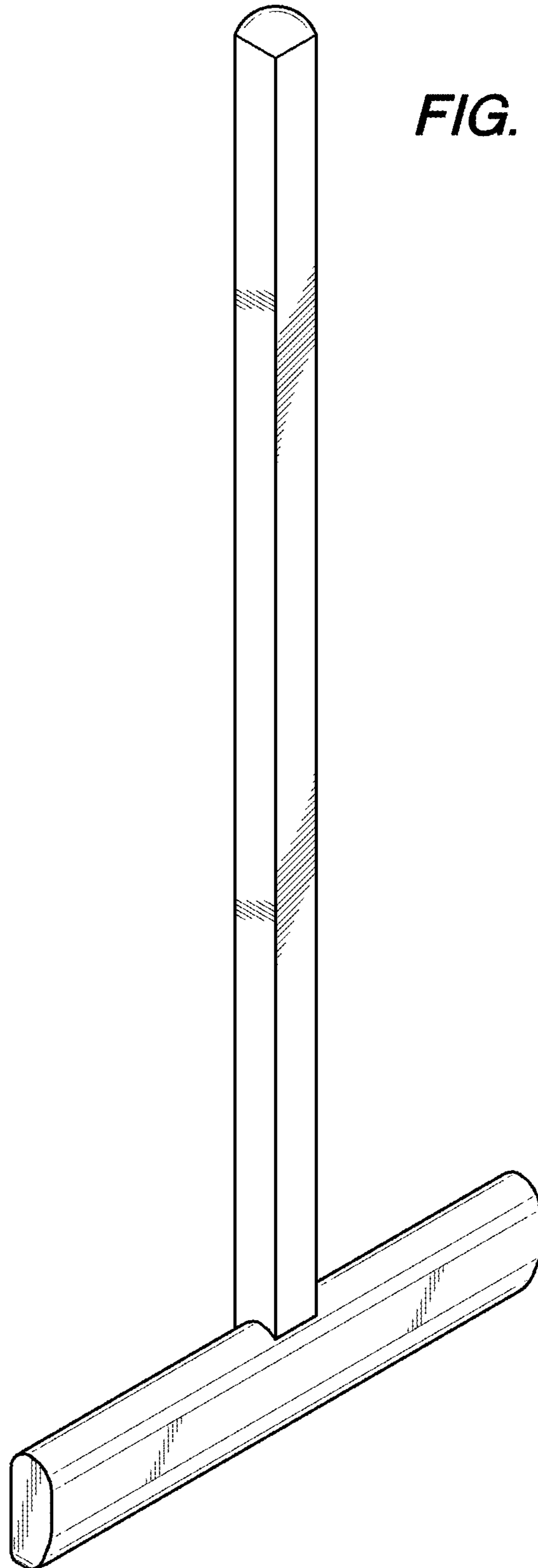


FIG. 7

FIG. 8

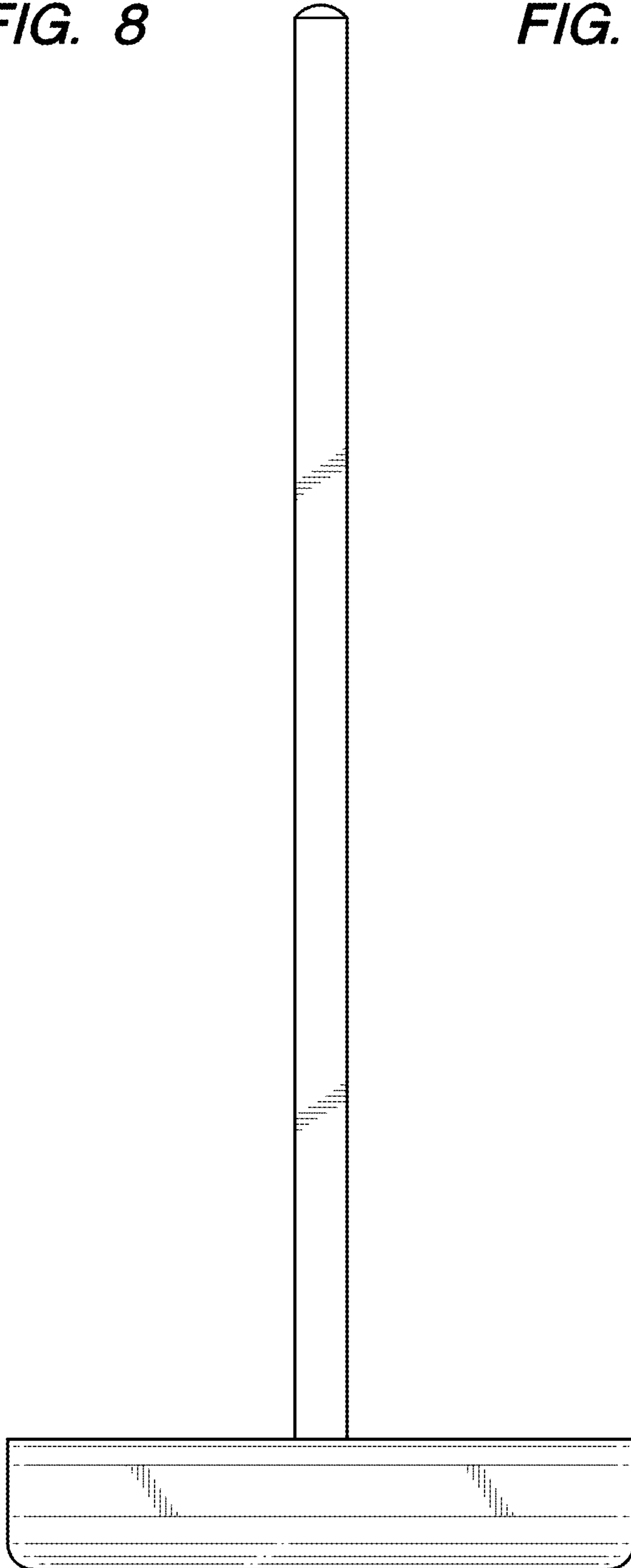


FIG. 9

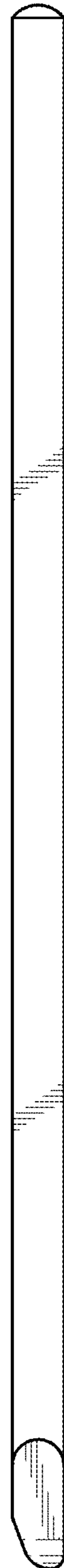


FIG. 10

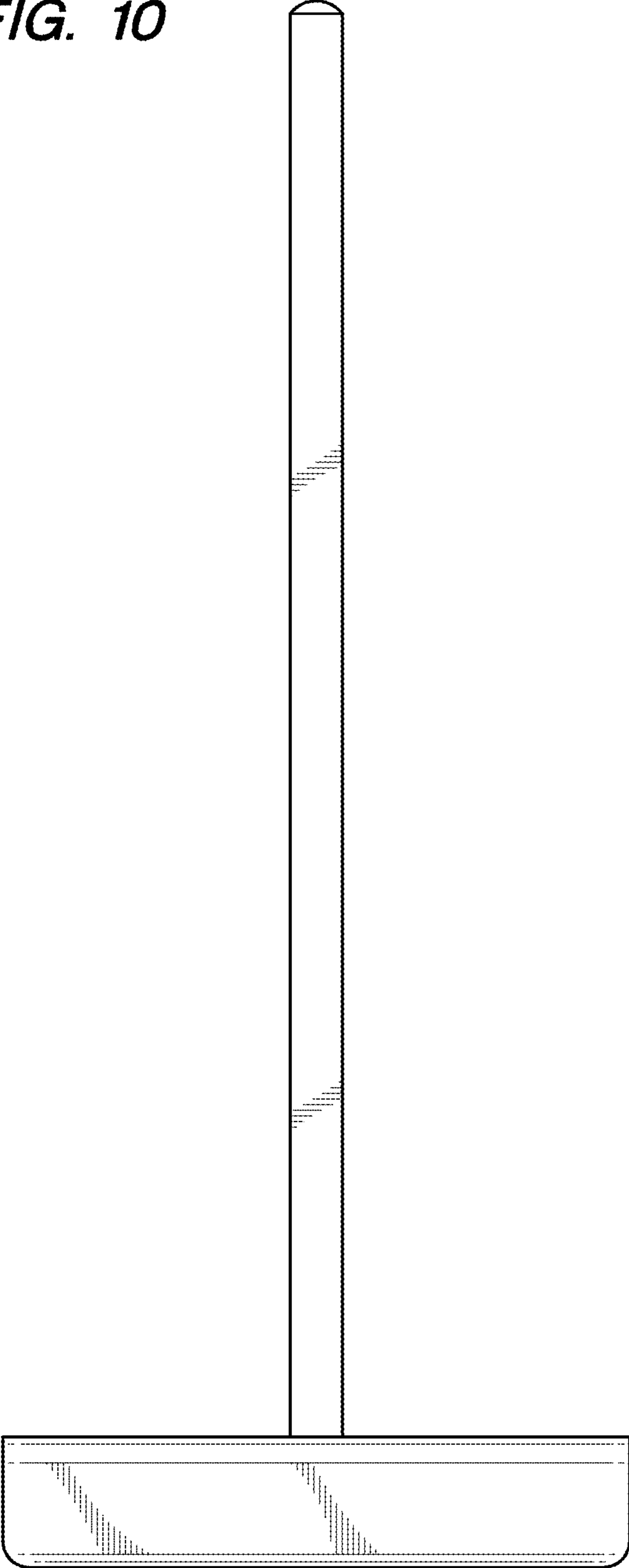


FIG. 11



FIG. 12



FIG. 13

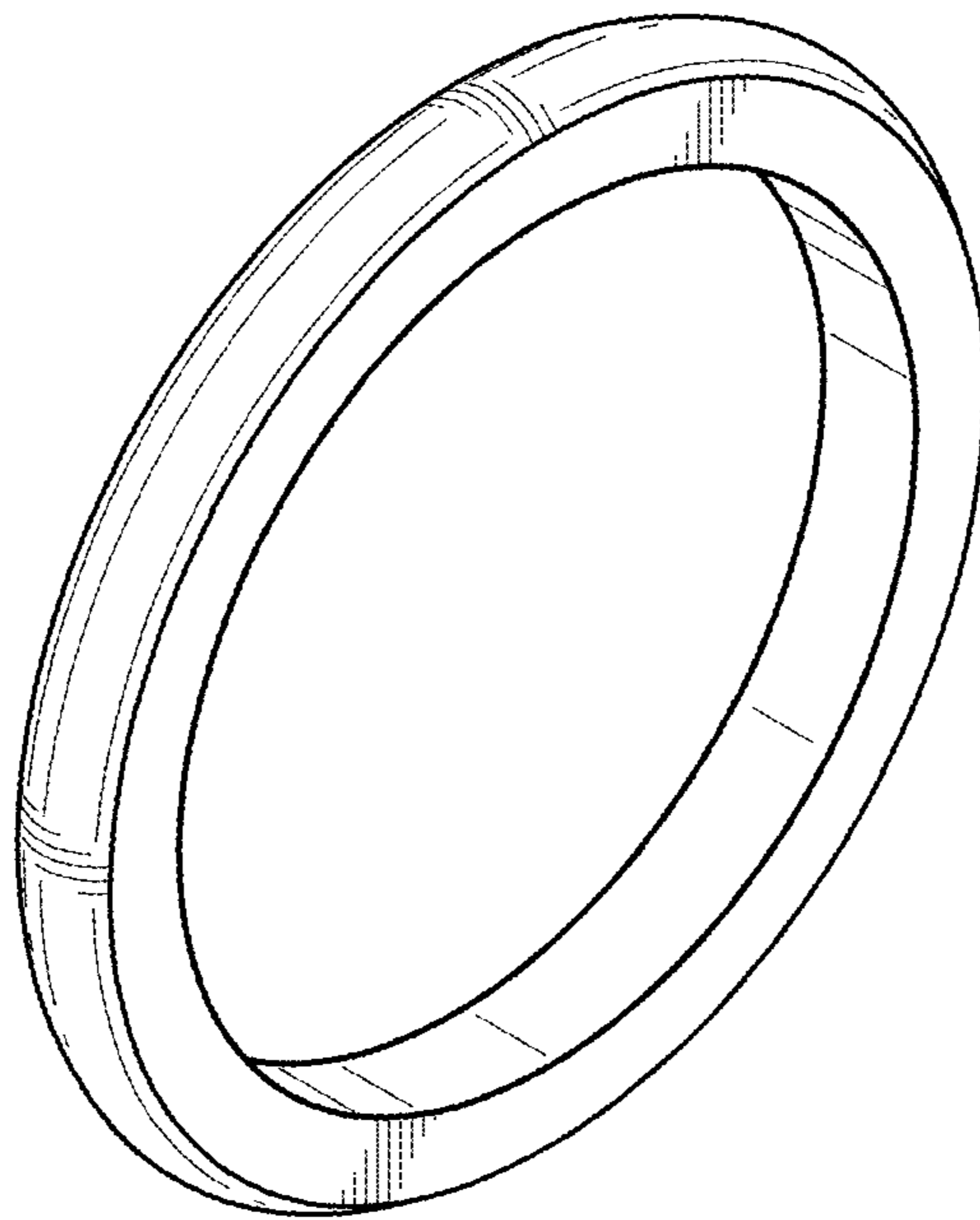


FIG. 14

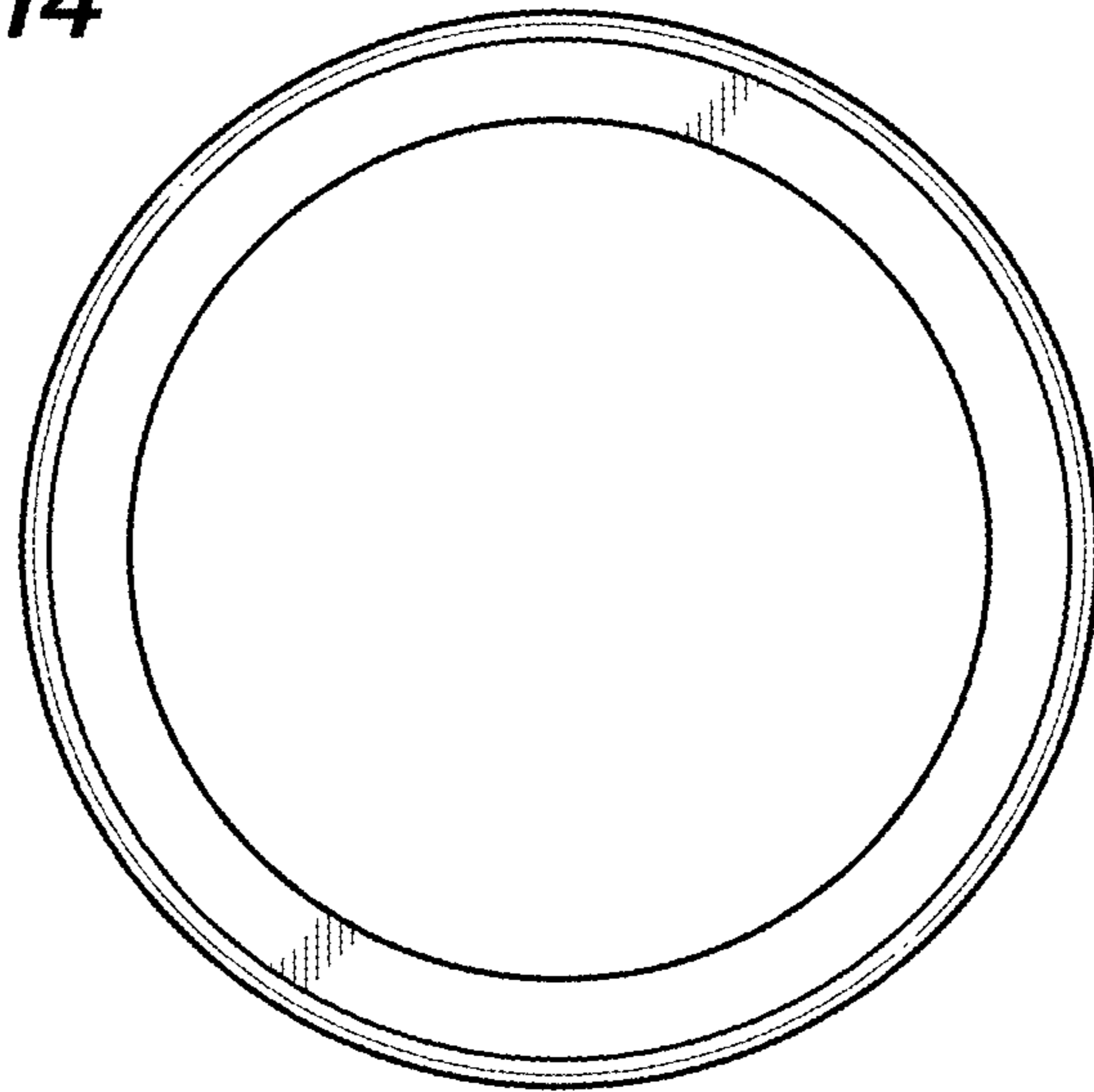


FIG. 15

