



US00D919712S

(12) **United States Design Patent** (10) **Patent No.:** **US D919,712 S**  
**Gao** (45) **Date of Patent:** **\*\* May 18, 2021**

(54) **ELECTRIC SCOOTER**

(71) Applicant: **KUNSHAN FUEL INVESTMENT AND MANAGEMENT CO., LTD,**  
Kunshan (CN)

(72) Inventor: **Wenjing Gao,** Yantai (CN)

(\*\*) Term: **15 Years**

(21) Appl. No.: **29/715,848**

(22) Filed: **Dec. 5, 2019**

(51) **LOC (13) Cl.** ..... **21-01**

(52) **U.S. Cl.**  
USPC ..... **D21/423**

(58) **Field of Classification Search**  
USPC ..... D21/419, 421, 423, 432, 435, 760, 763,  
D21/765, 771; D12/1, 110  
CPC ..... B62K 3/002; B62K 9/00; B62K 2202/00;  
B62K 15/00; B62K 2015/001; B62K  
2015/003; B60Y 2200/126  
See application file for complete search history.

(56) **References Cited**

**U.S. PATENT DOCUMENTS**

D829,826 S	*	10/2018	Liu	.....	D21/423
D834,097 S	*	11/2018	Lin	.....	D21/423
D849,153 S	*	5/2019	Zhang	.....	D21/423
D858,647 S	*	9/2019	Liu	.....	D21/423
D872,191 S	*	1/2020	Lee	.....	D21/423
D886,907 S	*	6/2020	Gao	.....	D21/423
D897,446 S	*	9/2020	Lee	.....	D21/423
D900,237 S	*	10/2020	Lee	.....	D21/423
D905,793 S	*	12/2020	Yang	.....	D21/423

D905,794 S \* 12/2020 Liu ..... D21/423  
2020/0283086 A1\* 9/2020 Ulmen ..... B62M 6/65

\* cited by examiner

*Primary Examiner* — Cynthia M. Chin

(57) **CLAIM**

The ornamental design for an electric scooter, as shown and described.

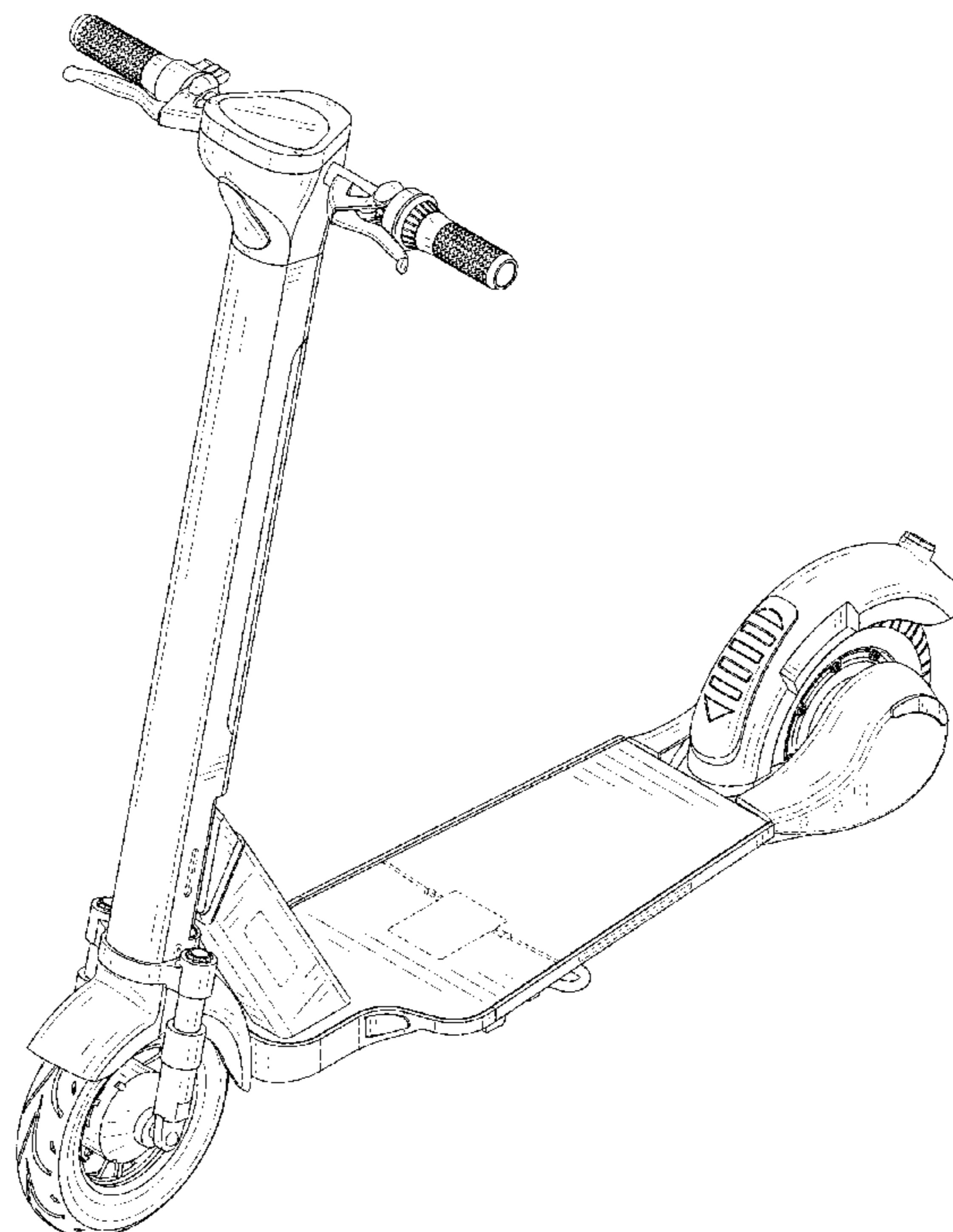
**DESCRIPTION**

FIG. 1 is a first perspective view of an electric scooter showing my new design;  
 FIG. 2 is a second perspective view thereof;  
 FIG. 3 is a front view thereof;  
 FIG. 4 is a back view thereof;  
 FIG. 5 is a left side view thereof;  
 FIG. 6 is a right side view thereof;  
 FIG. 7 is a top view thereof;  
 FIG. 8 is a bottom view thereof;  
 FIG. 9 is an enlarged partial view of the handlebar portion taken from the top of FIG. 1;  
 FIG. 10 is an enlarged partial view of the rear wheel area taken from the right of FIG. 1;  
 FIG. 11 is an enlarged partial view of the steering column taken from the top of FIG. 2; and,  
 FIG. 12 is an enlarged partial view of the front wheel area taken from the right of FIG. 2.

The broken lines shown in the drawings depict portions of the electric scooter in which the design is embodied that form no part of the claimed design.

The dash-dot broken lines represent the boundaries of the enlarged partial views of FIGS. 9-12 and form no part of the claimed design.

**1 Claim, 12 Drawing Sheets**



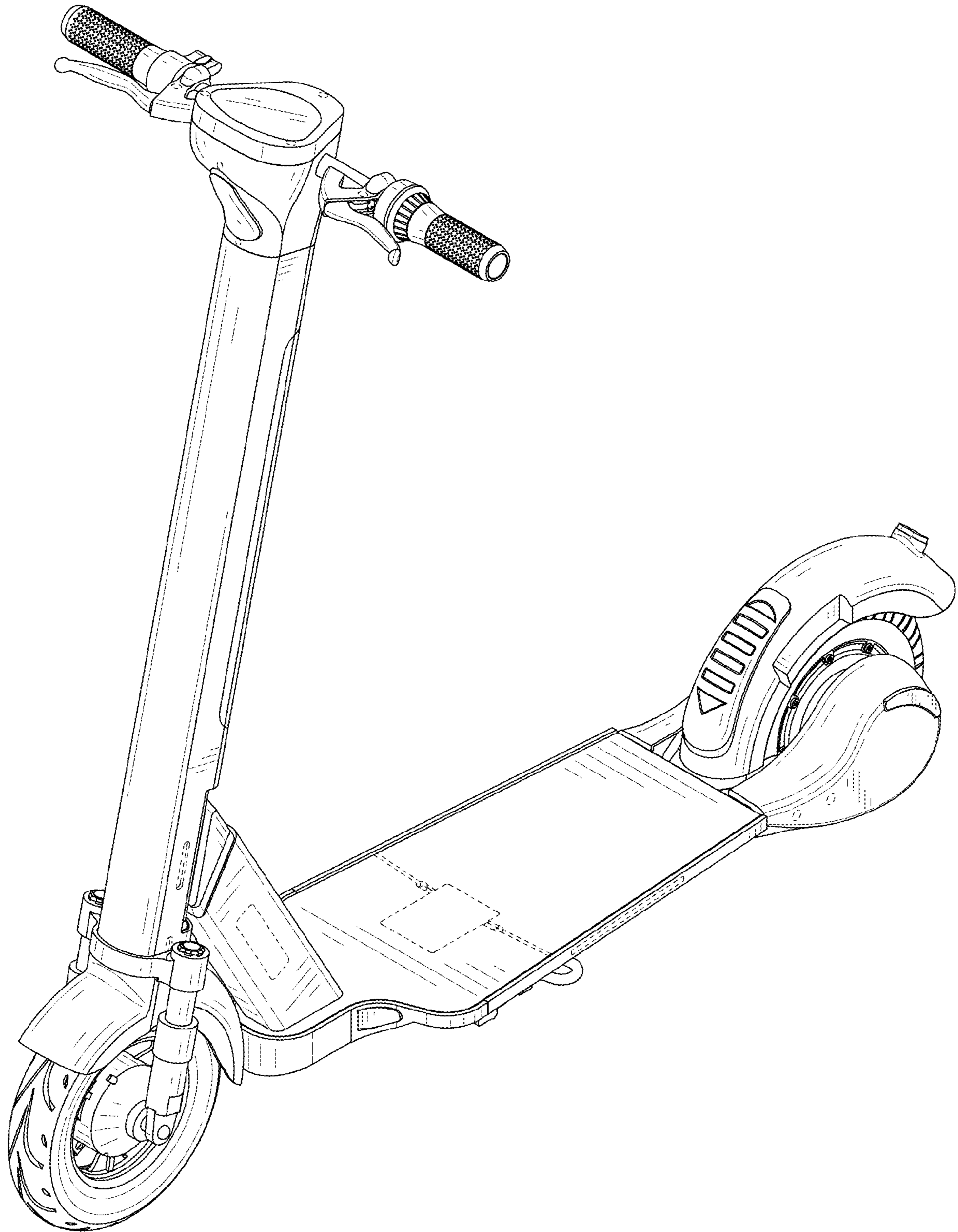


FIG. 1

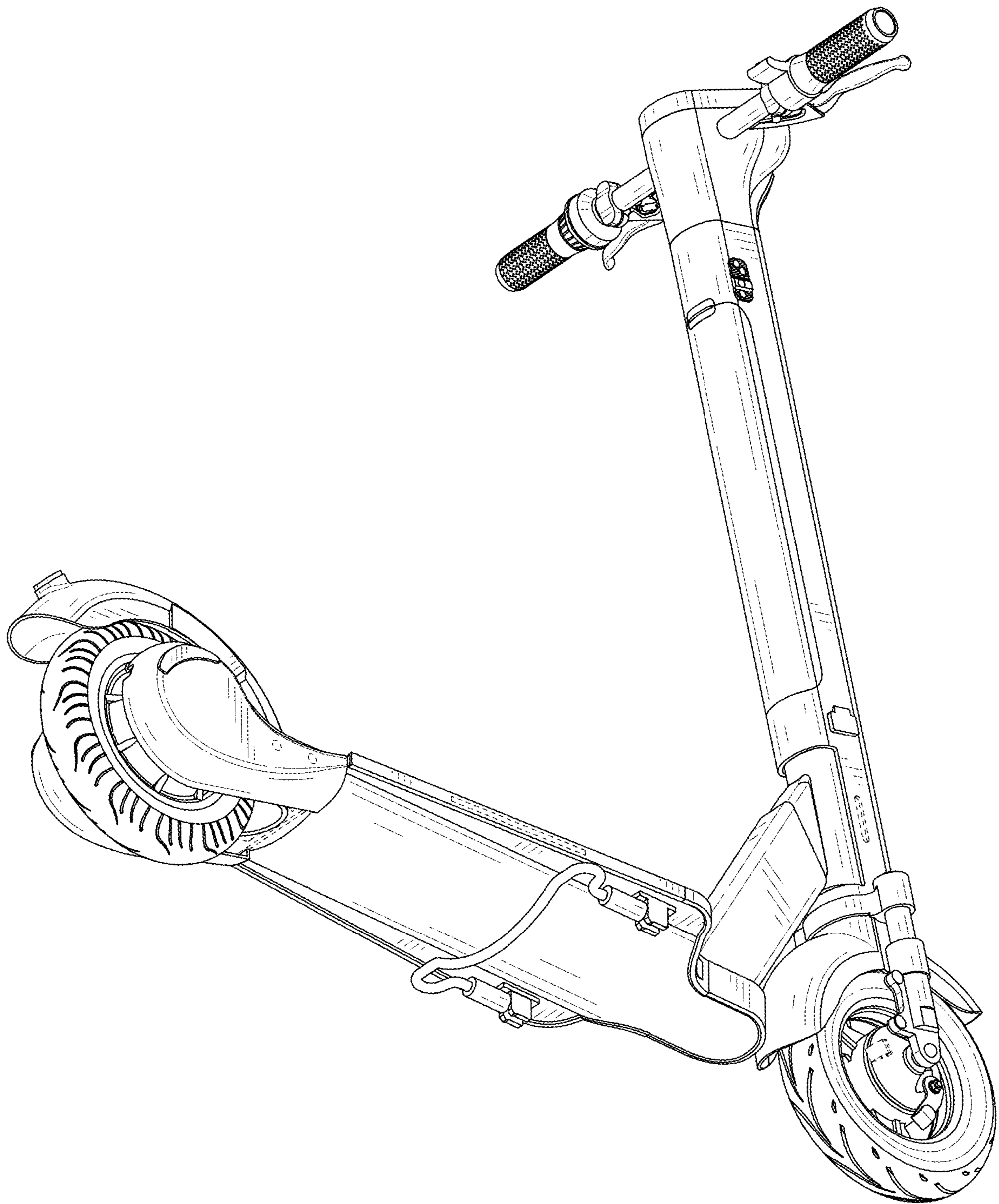


FIG. 2

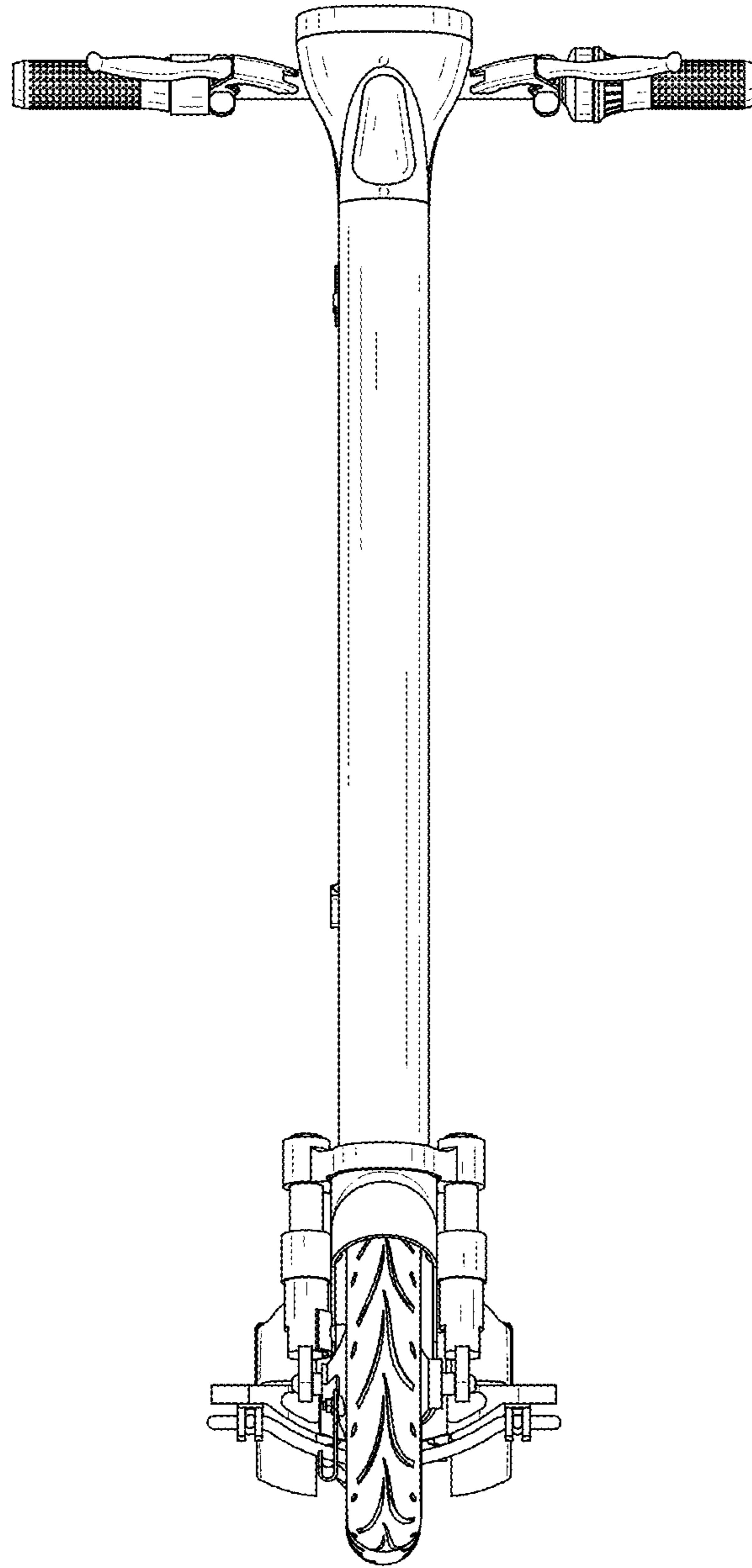


FIG. 3

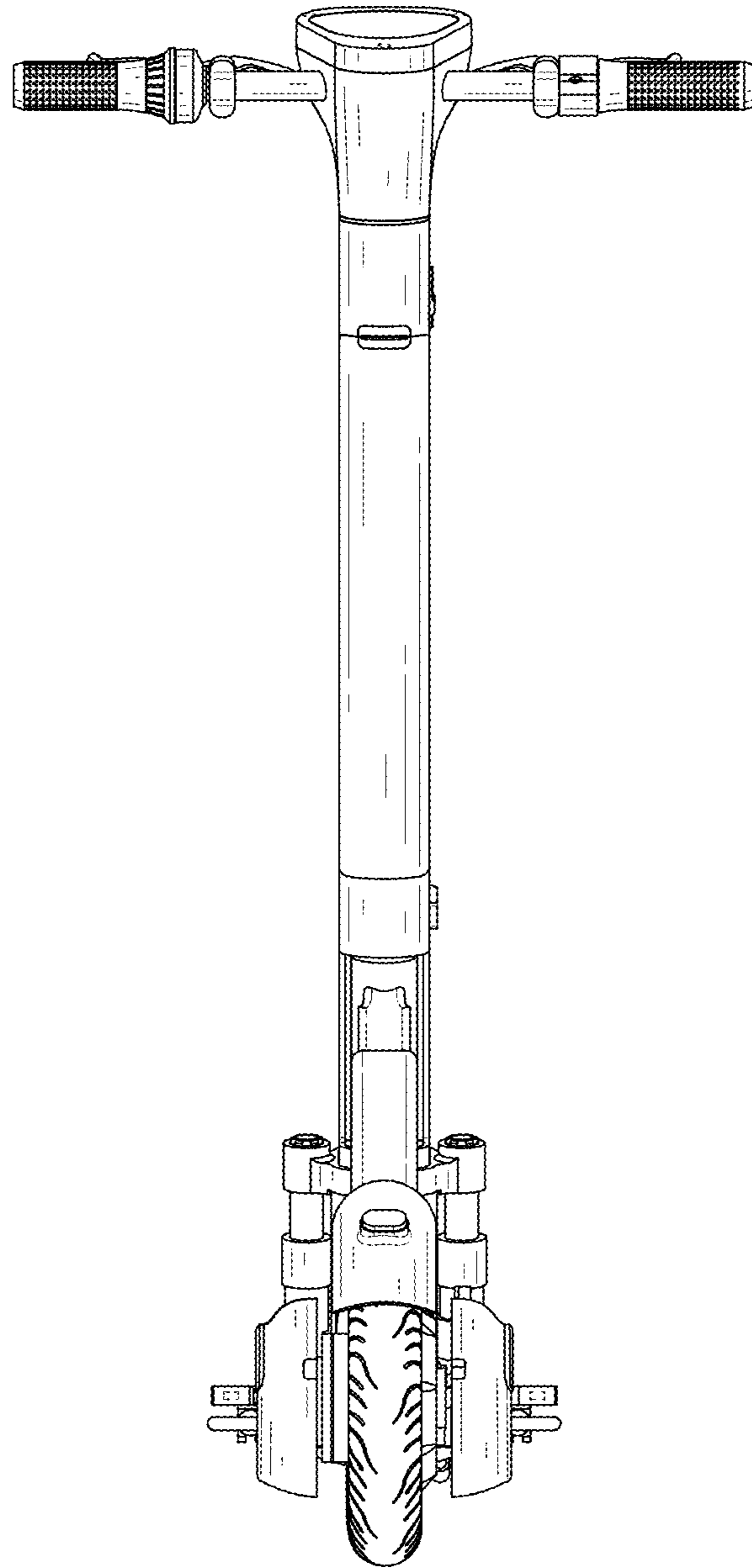


FIG. 4

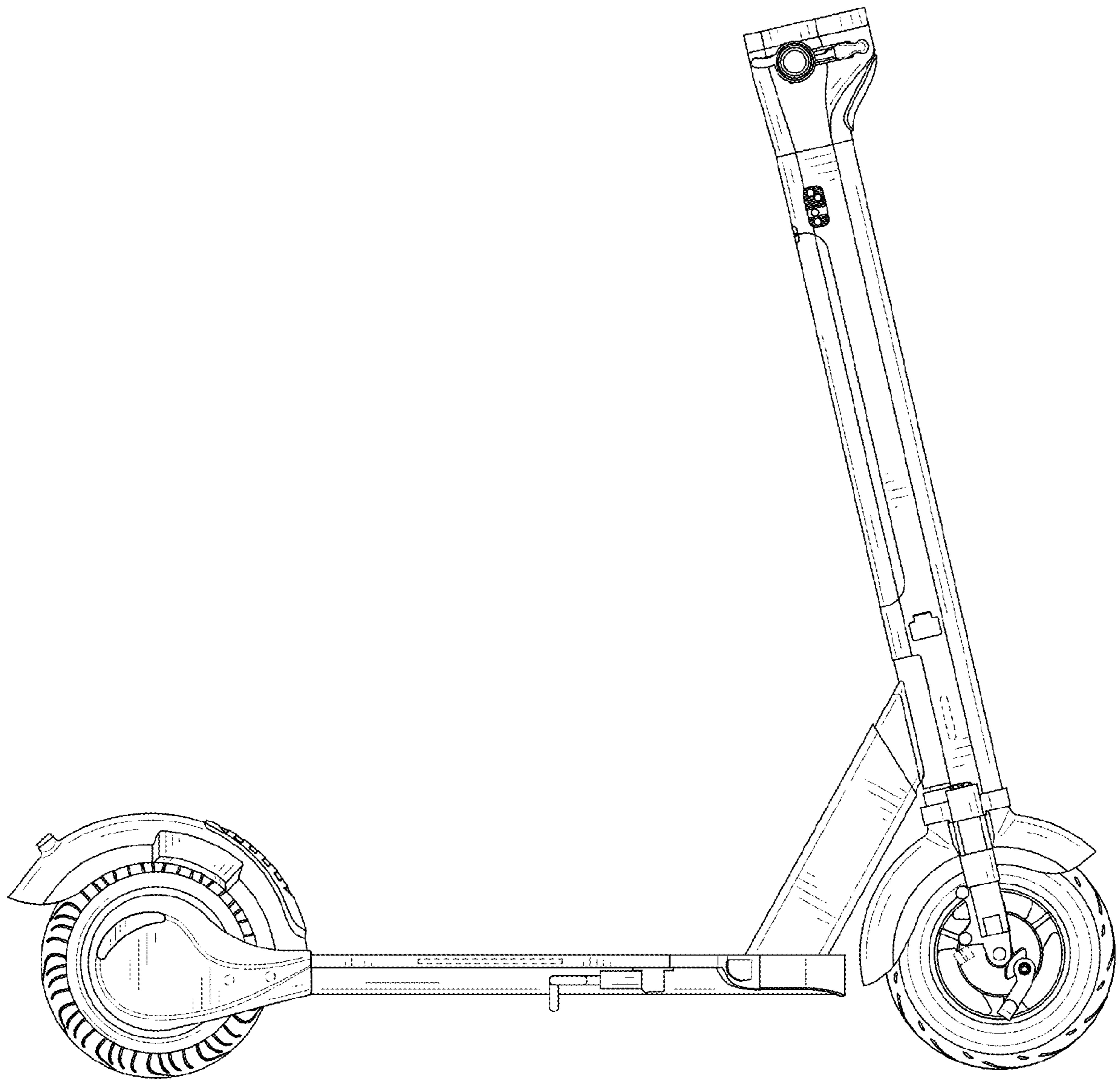


FIG. 5

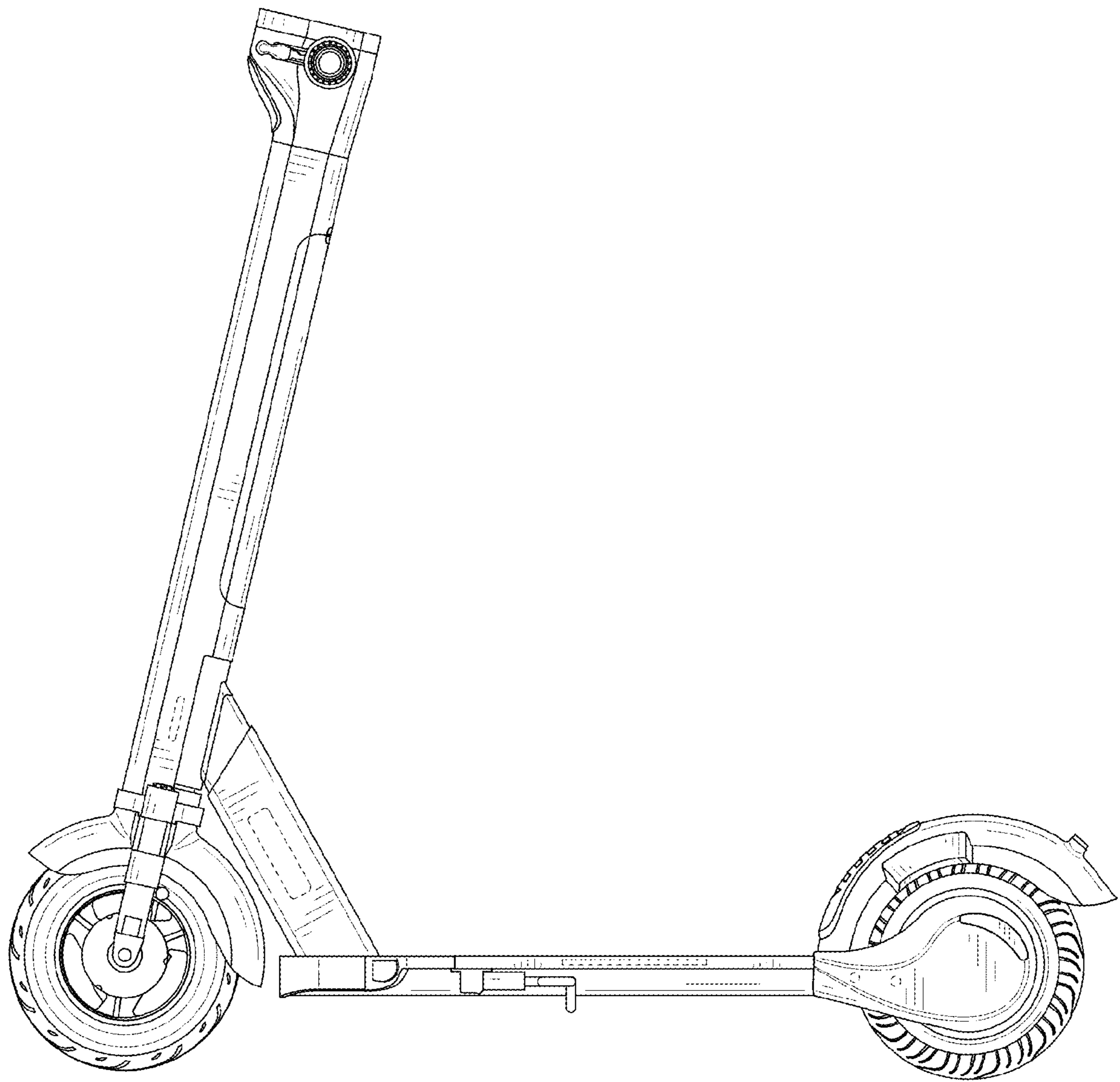


FIG. 6

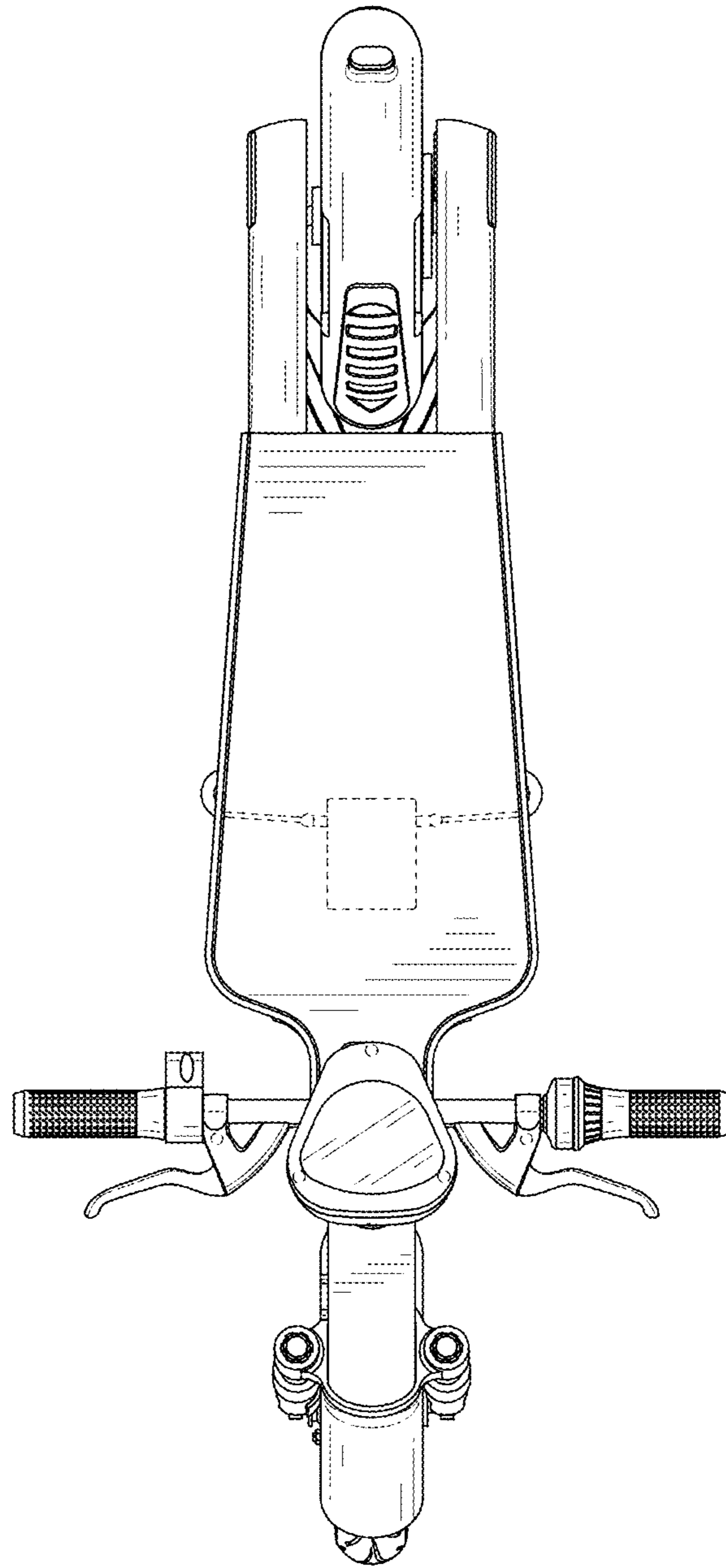


FIG. 7



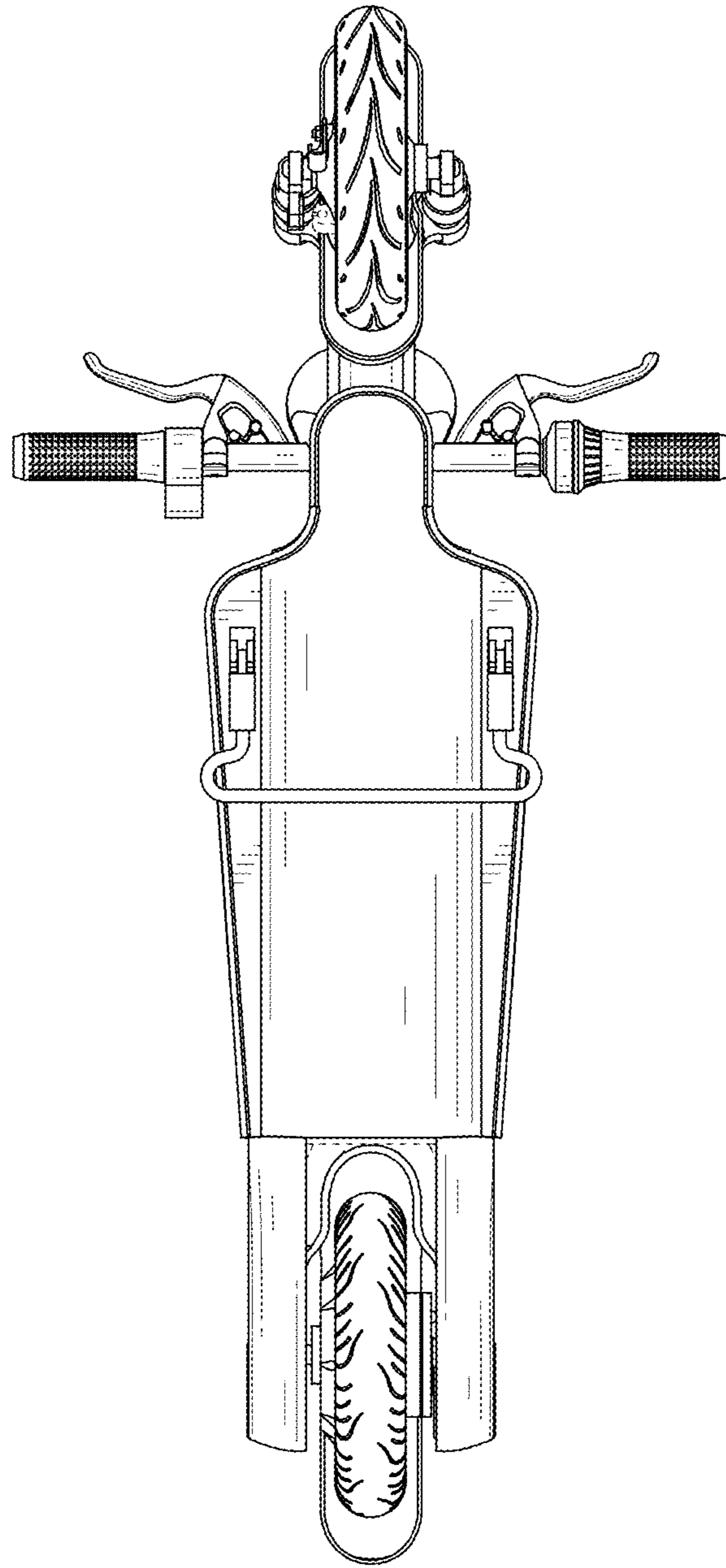


FIG. 8

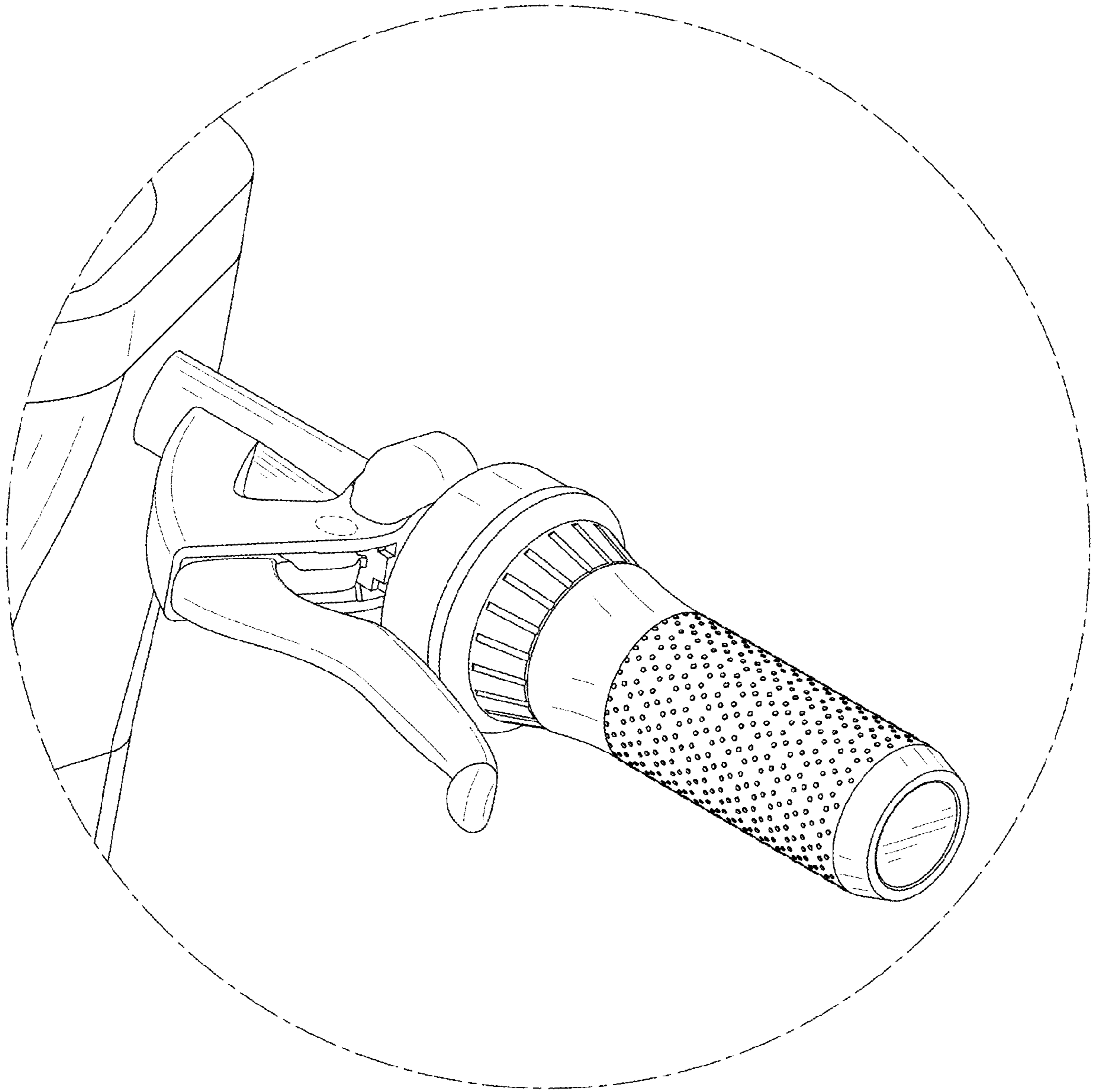


FIG. 9

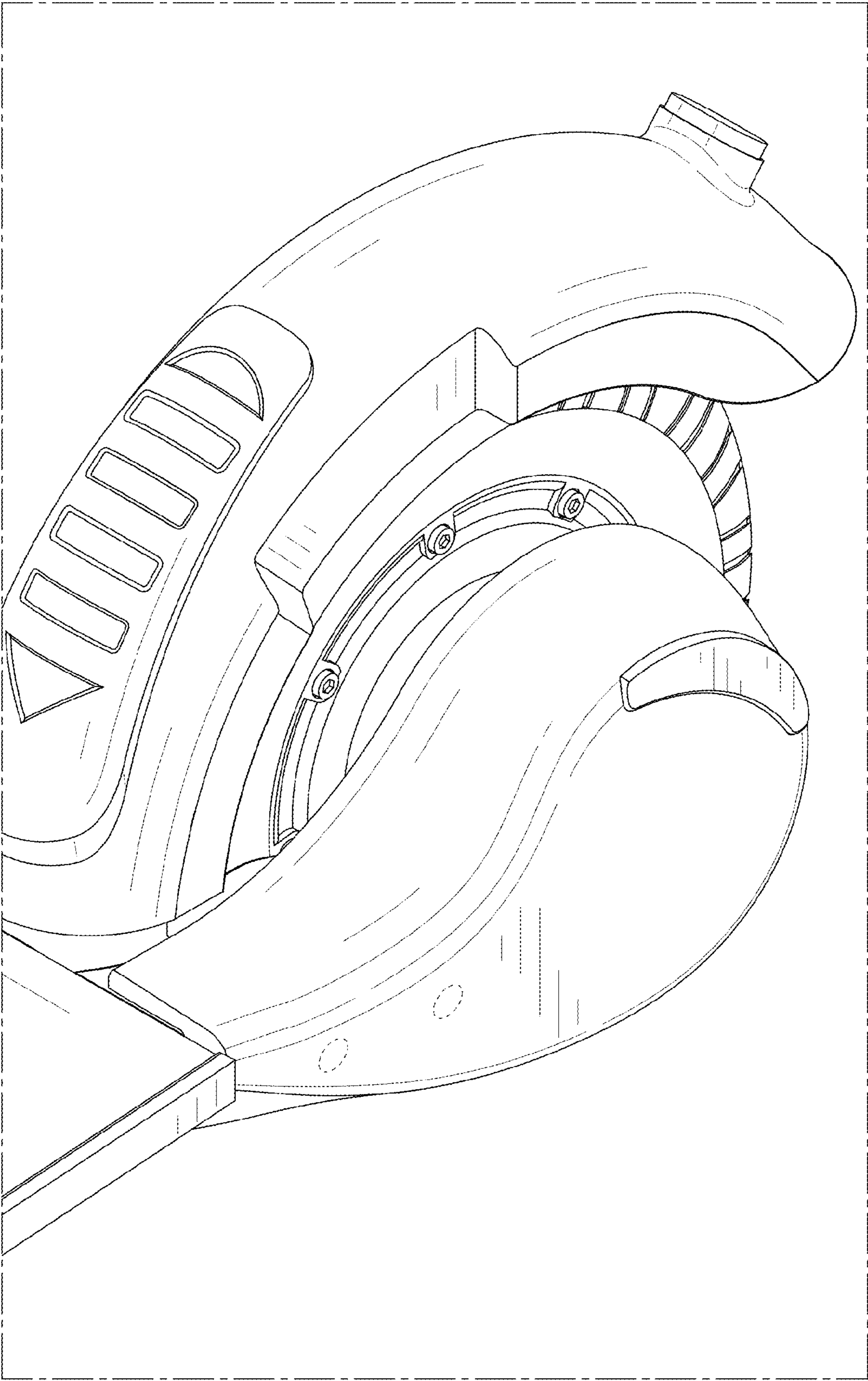


FIG. 10

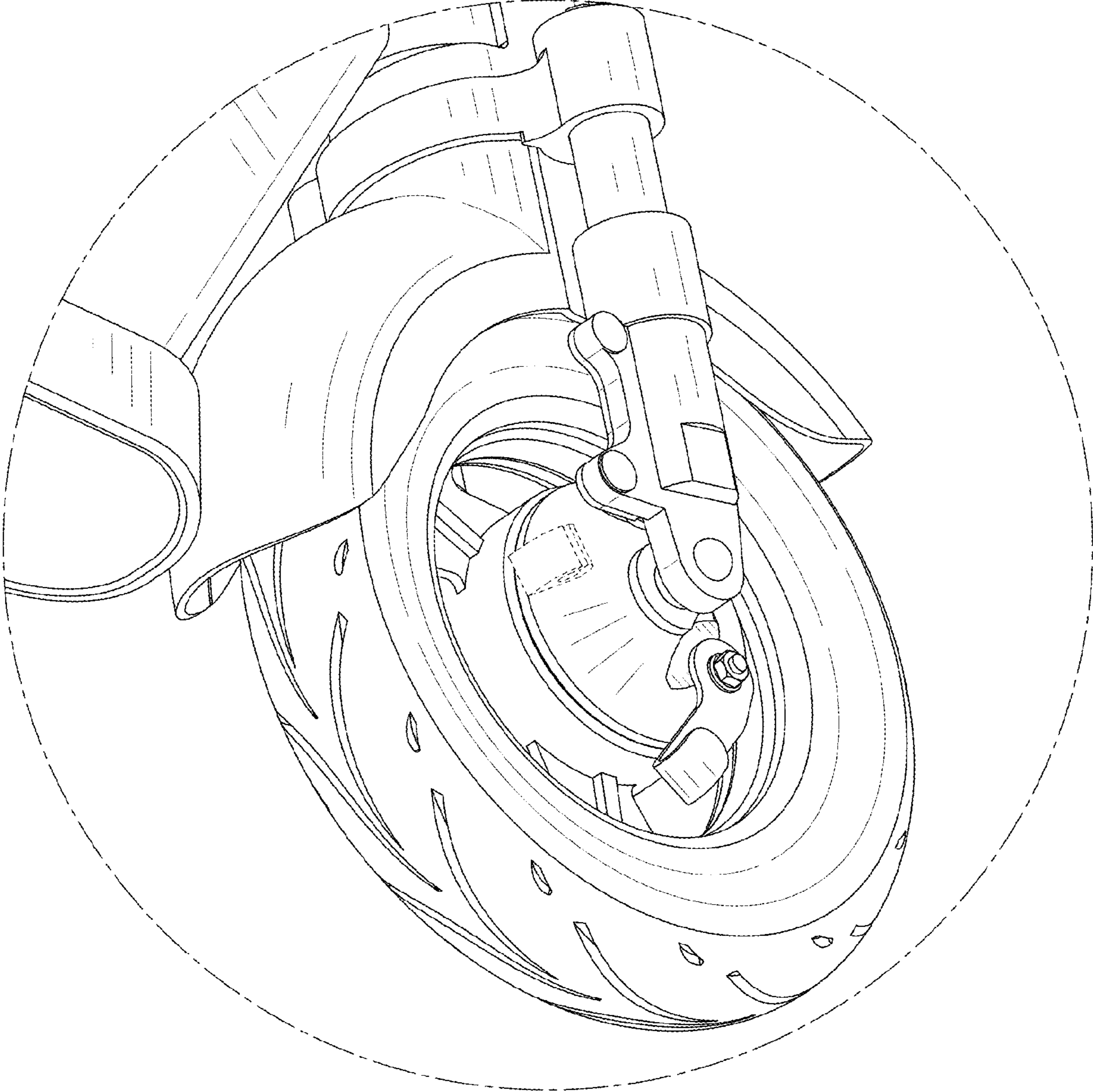


FIG. 11

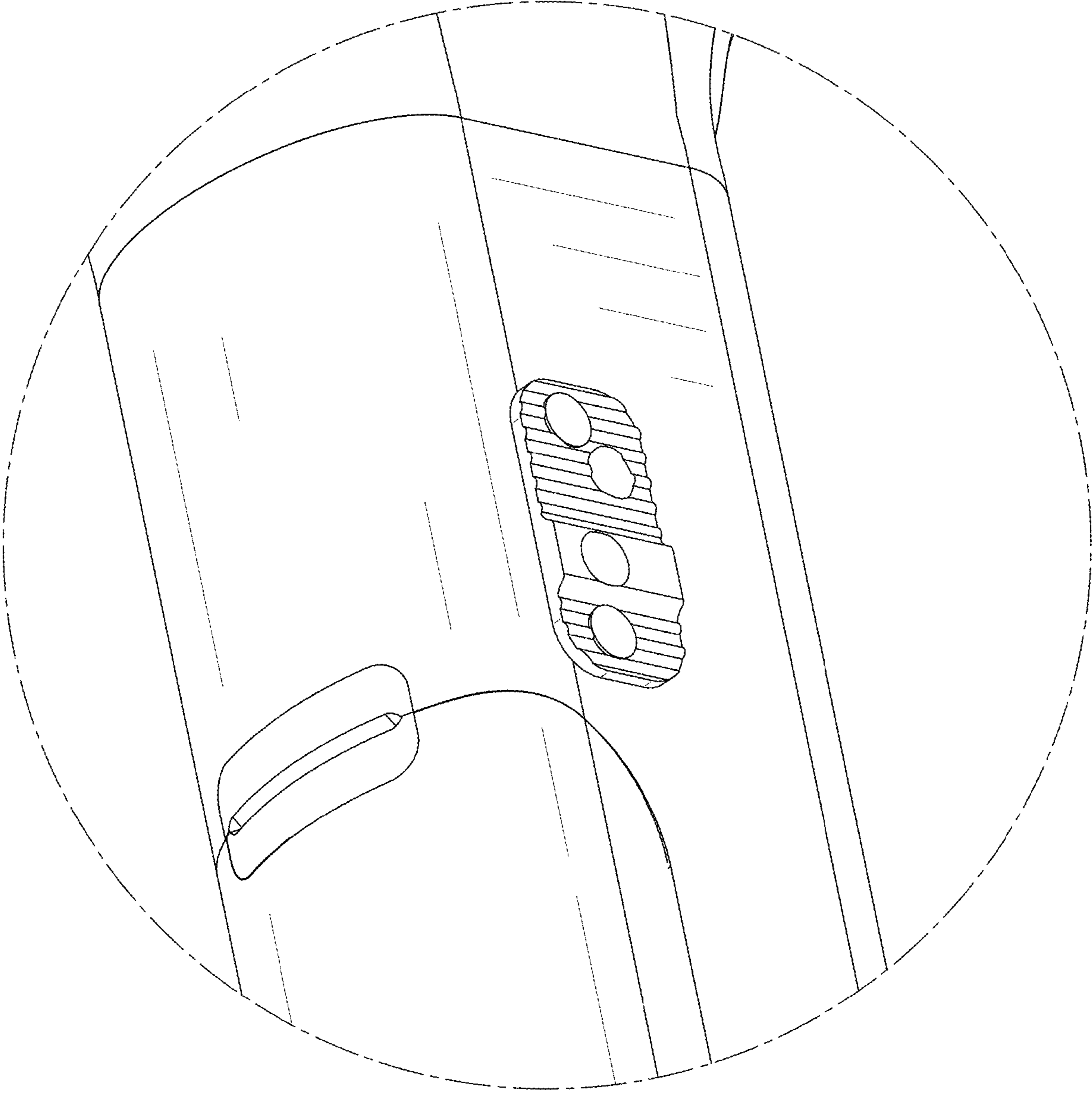


FIG. 12