



US00D919707S

(12) **United States Design Patent**  
**Conrad**

(10) **Patent No.:** **US D919,707 S**

(45) **Date of Patent:** **\*\* May 18, 2021**

(54) **STEERING WHEEL ADAPTER FOR  
COMPUTER GAME STEERING WHEELS**

(71) Applicant: **ENDOR AG**, Landshut (DE)

(72) Inventor: **Bernhard Conrad**, Buch am Erlbach  
(DE)

(73) Assignee: **Endor AG**, Landshut (DE)

(\*\*) Term: **15 Years**

(21) Appl. No.: **29/737,578**

(22) Filed: **Jun. 10, 2020**

**Related U.S. Application Data**

(62) Division of application No. 29/655,489, filed on Jul.  
3, 2018.

(51) **LOC (13) Cl.** ..... **21-02**

(52) **U.S. Cl.**  
USPC ..... **D21/333**; D12/177; D23/262

(58) **Field of Classification Search**  
USPC ..... D8/382; D12/177; D13/155; D21/333;  
D23/259, 260, 262, 264-265; D15/5, 6  
See application file for complete search history.

(56) **References Cited**

**U.S. PATENT DOCUMENTS**

D298,605 S *	11/1988	Colgan .....	D8/382
D383,378 S *	9/1997	Schrader .....	D23/262
D430,482 S *	9/2000	Stout, Jr. ....	D23/262
D531,888 S *	11/2006	Barnes .....	D8/382
D602,347 S *	10/2009	Allen .....	D8/382
D619,449 S *	7/2010	Smith .....	D8/382
D651,696 S *	1/2012	Giordano .....	D23/262
D718,121 S *	11/2014	Yu .....	D8/382
D743,243 S *	11/2015	Strunk .....	D8/382
D787,923 S *	5/2017	Honein .....	D8/382

D789,187 S *	6/2017	Vitou .....	D8/382
D799,939 S *	10/2017	Lowitz .....	D8/354
D828,399 S *	9/2018	Fitzgerald .....	D15/5
D845,251 S *	4/2019	Smith .....	D13/155
D859,968 S *	9/2019	West .....	D8/382
D879,258 S *	3/2020	Zimmerman .....	D23/262
D880,962 S *	4/2020	Fu .....	D7/669

\* cited by examiner

*Primary Examiner* — Michael C Stout

*Assistant Examiner* — Melvin L Davis

(74) *Attorney, Agent, or Firm* — The Culbertson Group,  
P.C.; Russell D. Culbertson

(57) **CLAIM**

The ornamental design for a steering wheel adapter for  
computer game steering wheels, as shown.

**DESCRIPTION**

FIG. 1 is a right perspective view from the rear and above  
a steering wheel adapter for computer games showing the  
new design.

FIG. 2 is a right perspective view from the front and above  
the steering wheel adapter for computer games shown in  
FIG. 1.

FIG. 3 is a rear view of the steering wheel adapter for  
computer games shown in FIG. 1.

FIG. 4 is a front view of the steering wheel adapter for  
computer games shown in FIG. 1.

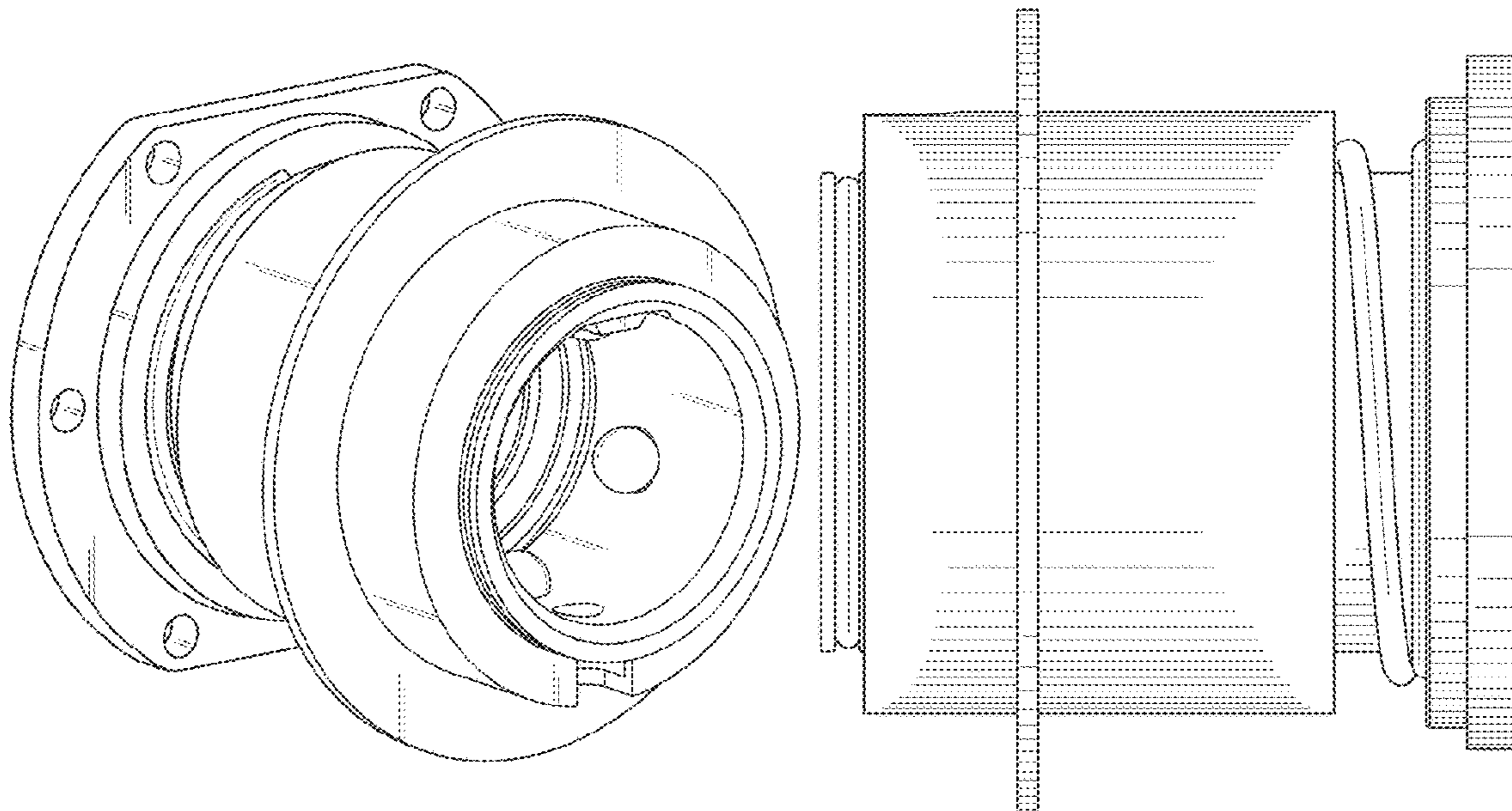
FIG. 5 is a right side view of the steering wheel adapter for  
computer games shown in FIG. 1.

FIG. 6 is a left side view of the steering wheel adapter for  
computer games shown in FIG. 1

FIG. 7 is a top view of the steering wheel adapter for  
computer games shown in FIG. 1; and,

FIG. 8 is a bottom view of the steering wheel adapter for  
computer games shown in FIG. 1.

**1 Claim, 4 Drawing Sheets**



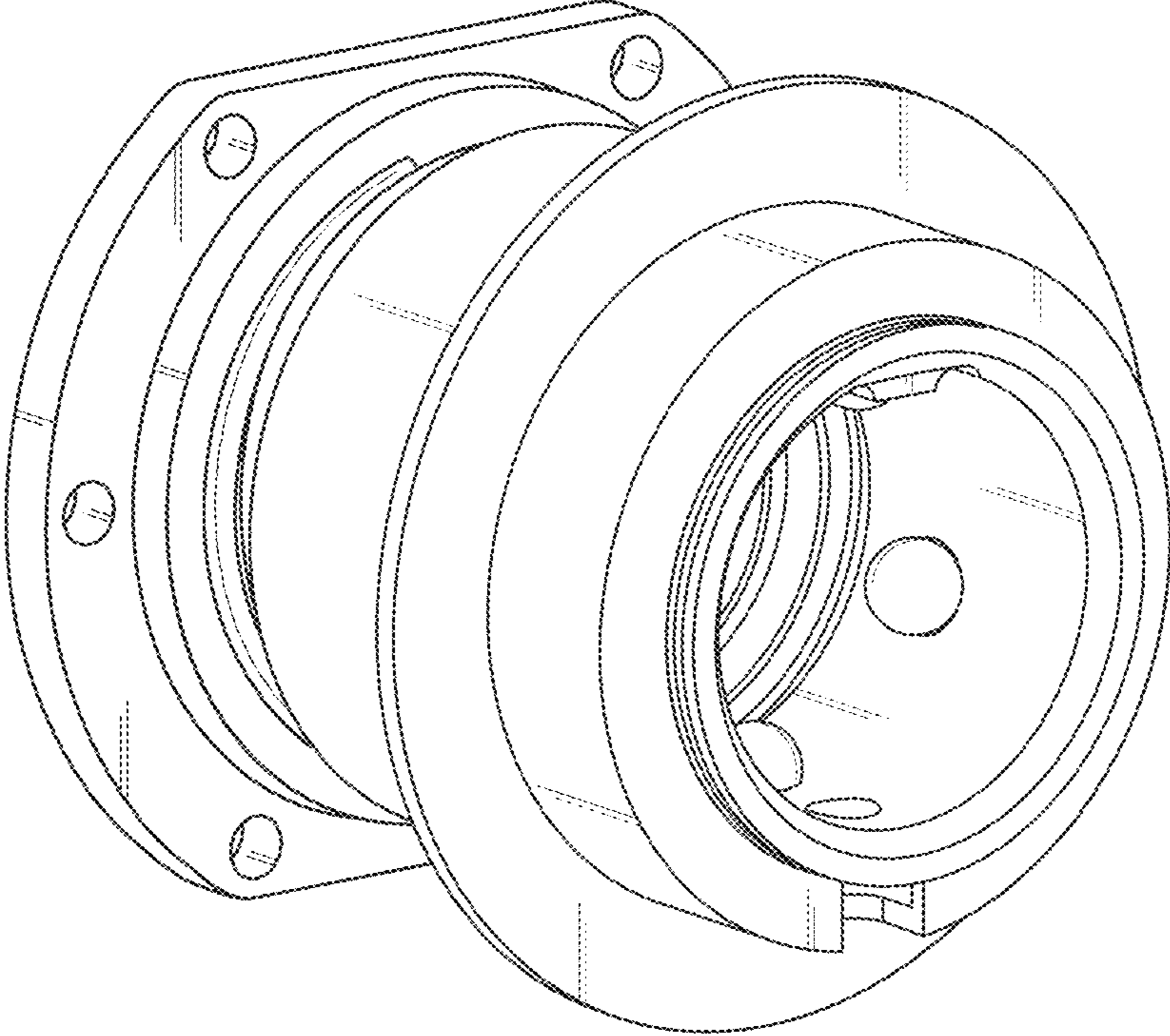


FIG. 1

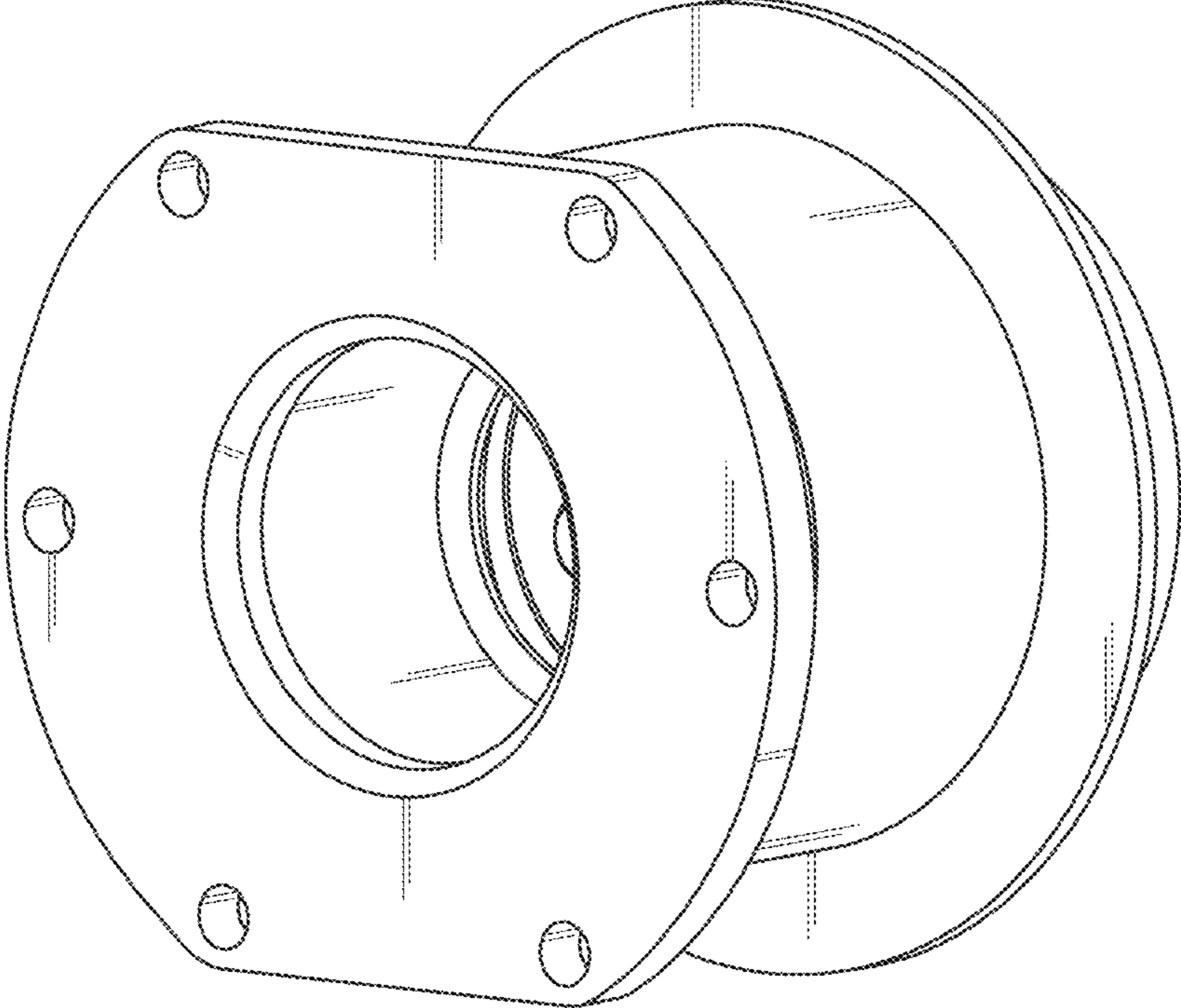


FIG. 2

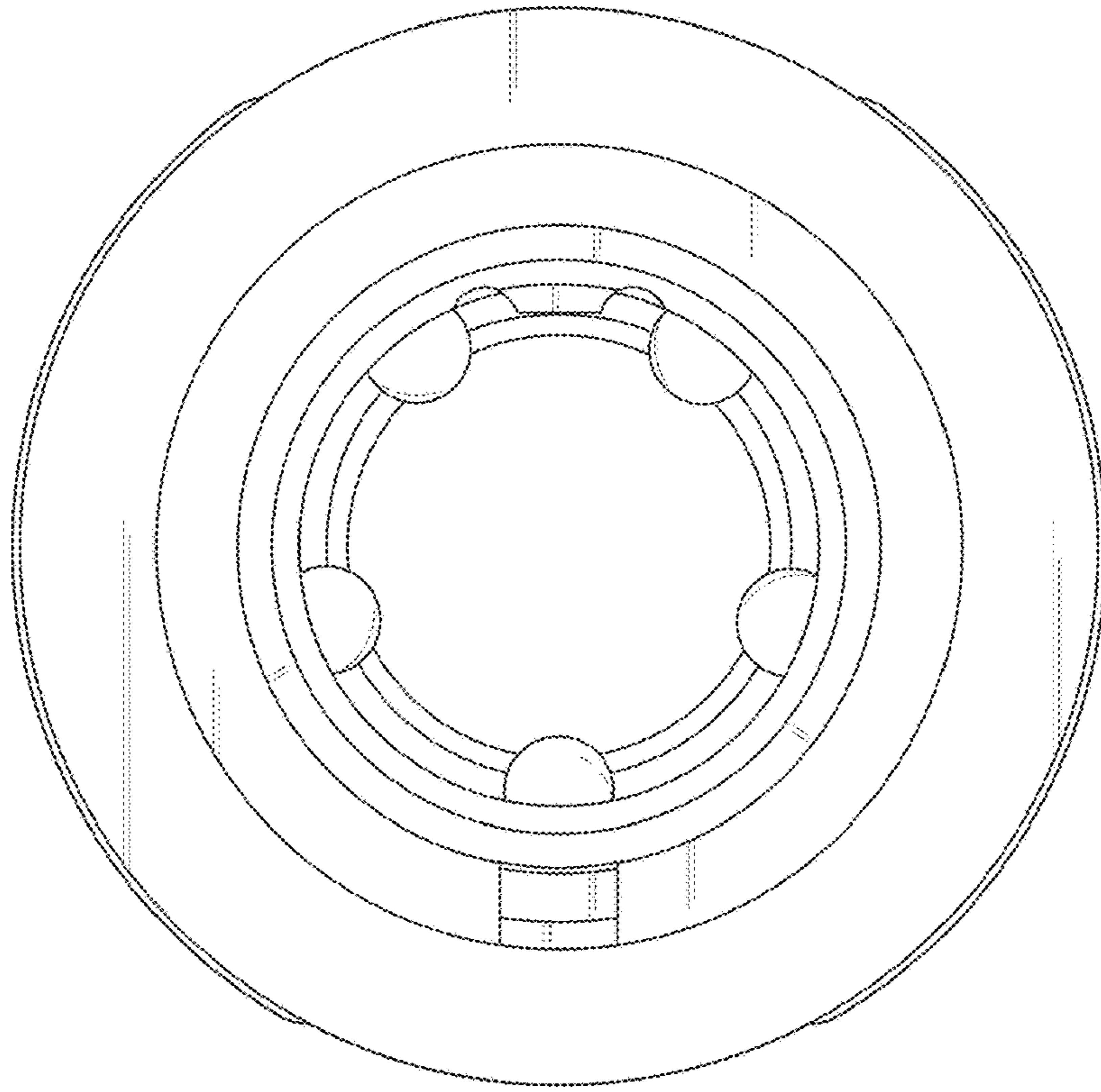


FIG. 3

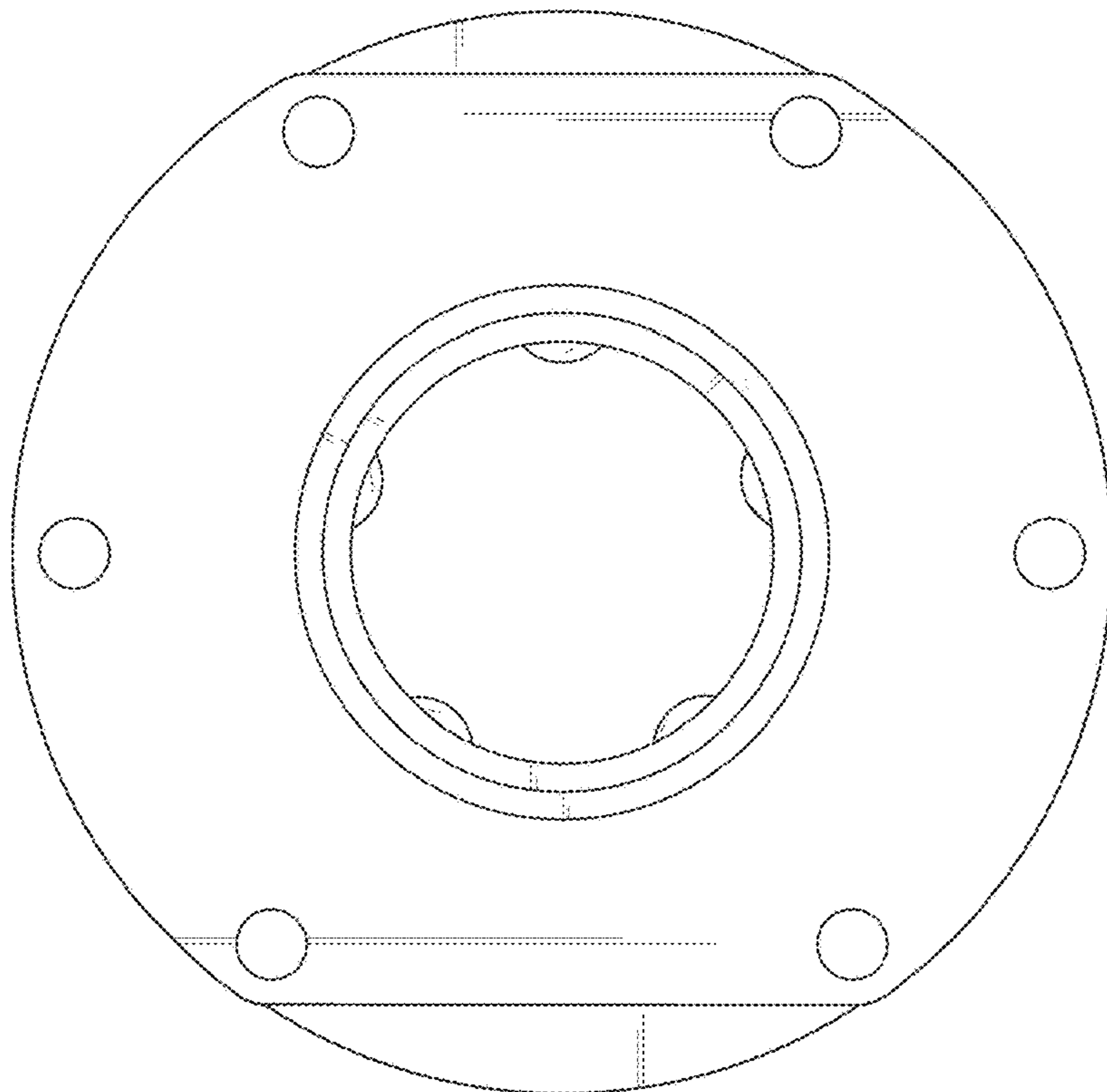


FIG. 4

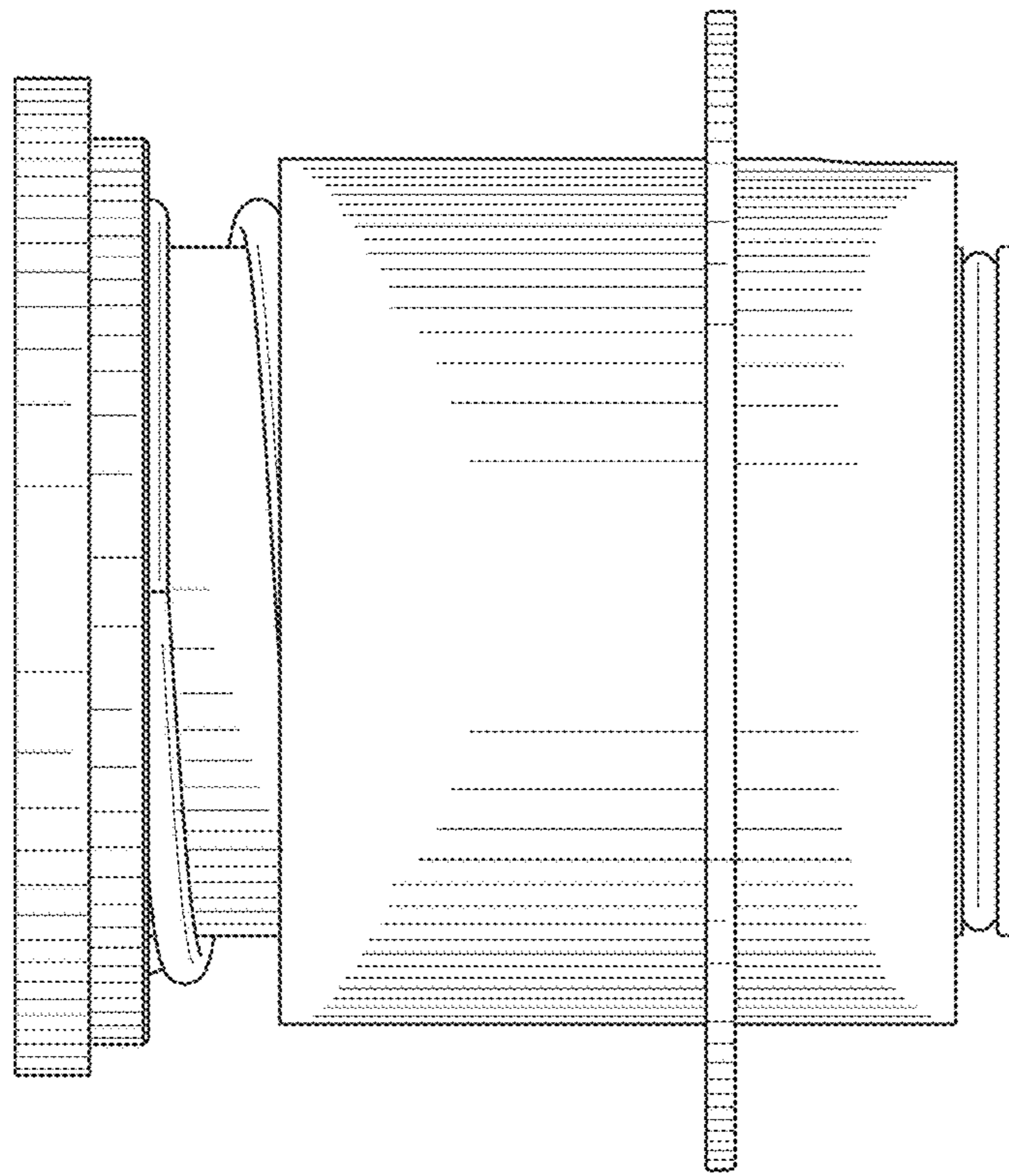


FIG. 5

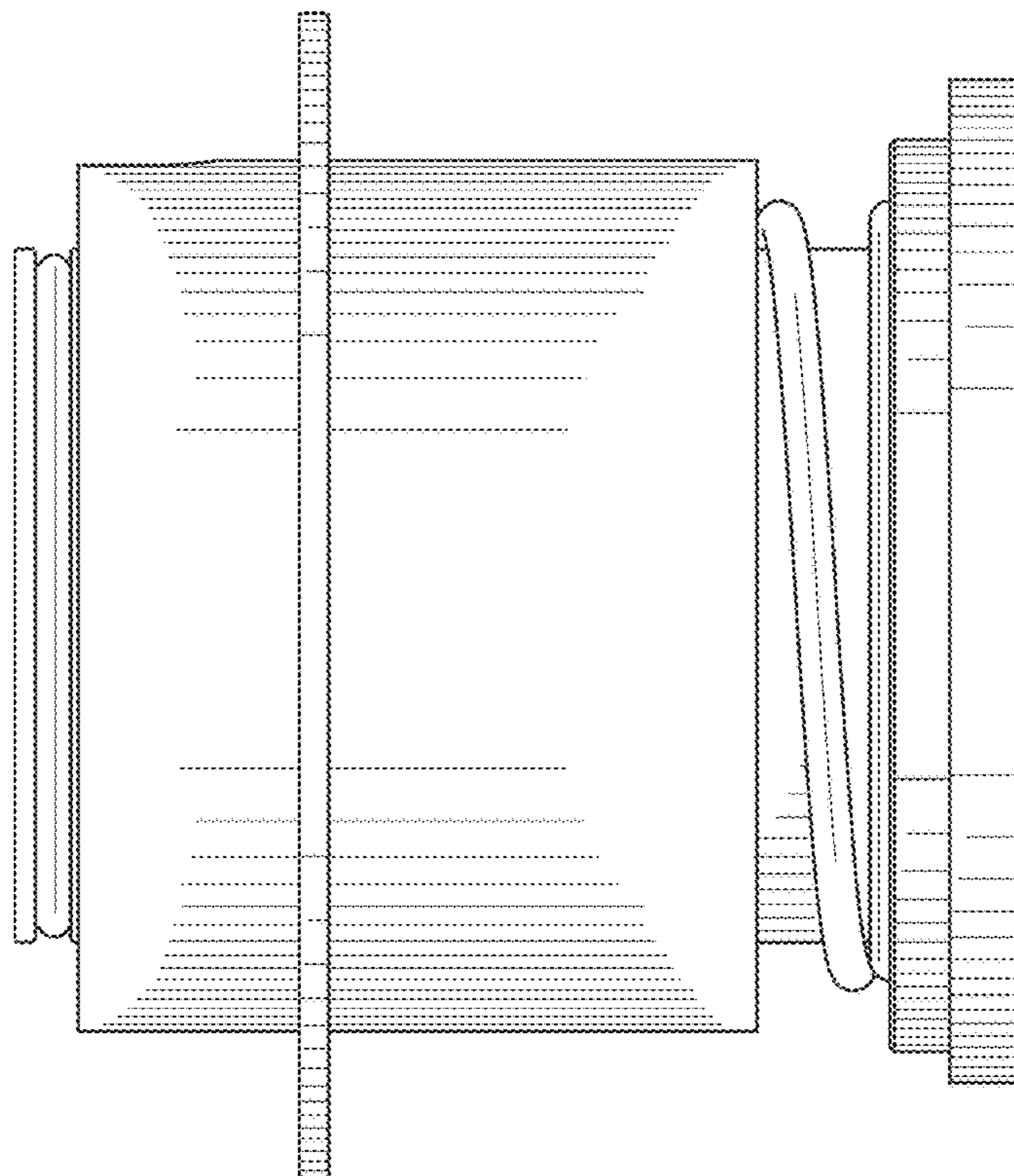


FIG. 6

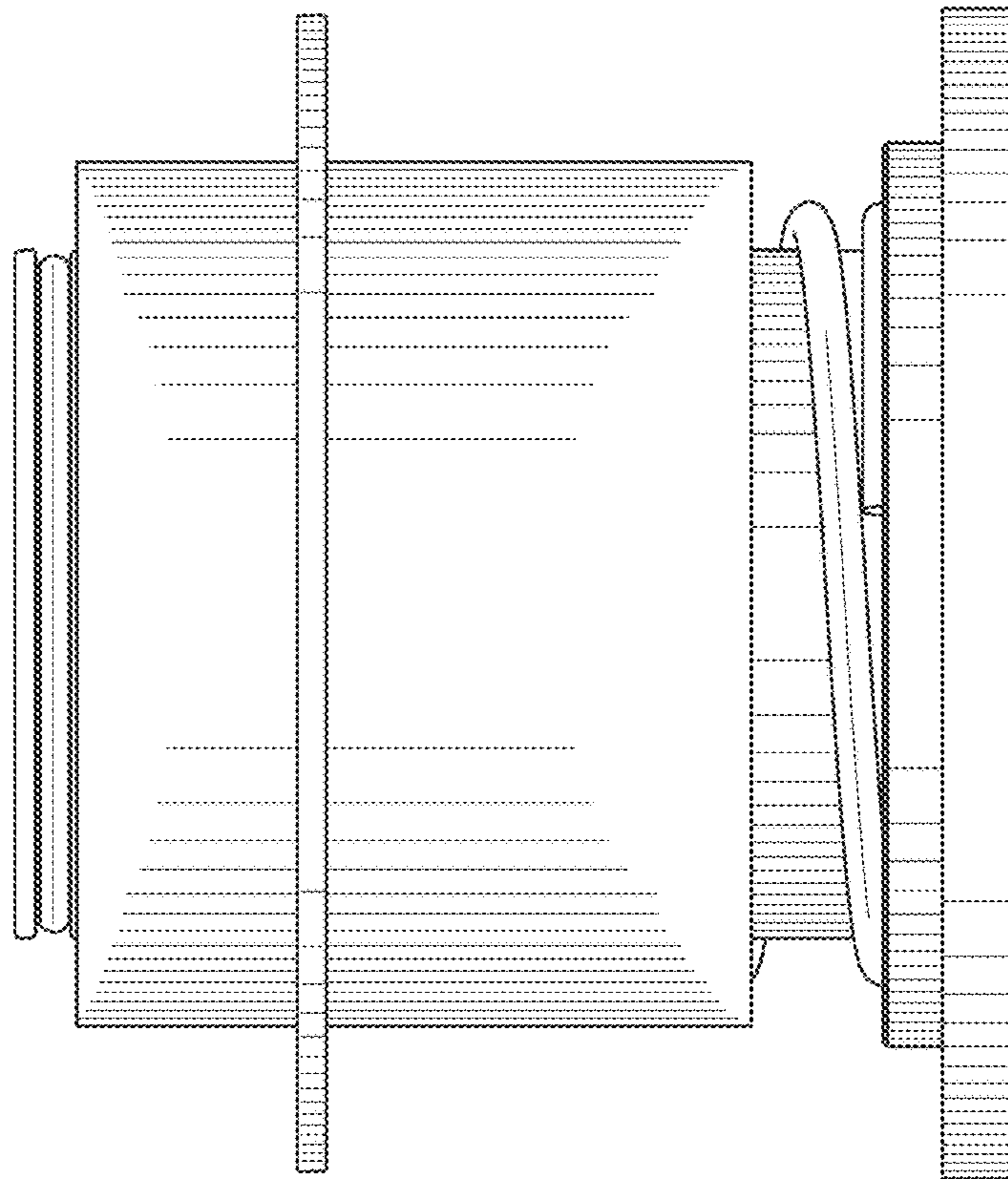


FIG. 7

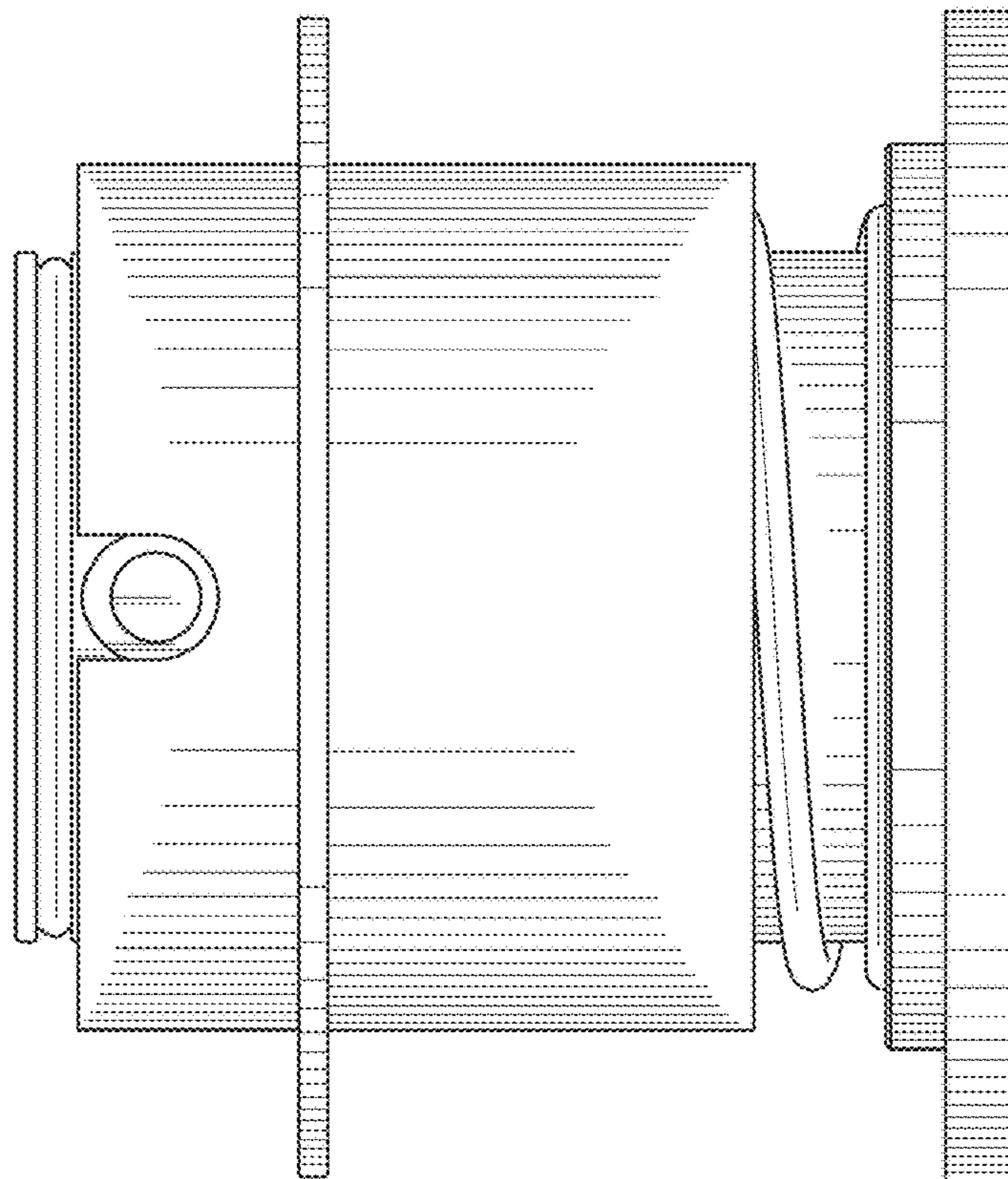


FIG. 8