



US00D919706S

(12) **United States Design Patent** (10) **Patent No.:** **US D919,706 S**  
**Larsen et al.** (45) **Date of Patent:** **\*\* May 18, 2021**

(54) **DISPLAY FIXTURE**  
(71) Applicant: **TARGET BRANDS, INC.**,  
Minneapolis, MN (US)  
(72) Inventors: **Selina Larsen**, Duluth, MN (US); **Dan Smith**, La Grange Park, MN (US);  
**Witold Nowak**, Harwood Heights, IL (US); **Carla Fahden**, Minneapolis, MN (US); **Chad Olson**, Minneapolis, MN (US)  
(73) Assignee: **TARGET BRANDS, INC.**,  
Minneapolis, MN (US)  
(\*\*) Term: **15 Years**  
(21) Appl. No.: **29/688,023**  
(22) Filed: **Apr. 17, 2019**  
(51) **LOC (13) Cl.** ..... **20-02**  
(52) **U.S. Cl.**  
USPC ..... **D20/42**  
(58) **Field of Classification Search**  
USPC ..... D6/300, 310, 311, 312, 313, 314, 672,  
D6/675, 675.1, 675.3, 675.4, 681;  
D10/46, 46.1, 104.1, 104.2, 109.1, 109.2,  
D10/113.4, 114.1; D19/20, 65, 75, 84,  
D19/90, 91; D20/10, 11, 12, 22-42, 99;  
D25/109, 118, 119, 138, 149, 156, 157,  
D25/160  
CPC ..... A47B 23/042; A47B 23/043; A47F 5/10;  
A47F 5/11; A47F 5/112; B65D 5/522;  
B65D 5/44; B65D 5/52; B65D 5/5206;  
G09F 1/06; G09F 1/14; G09F 2003/0208;  
G09F 7/02; G09F 7/14; G09F 7/165;  
G09F 13/06; G09F 13/16; G09F 19/08;  
G09F 2019/081; G09F 2019/083; G09F  
2019/085; G09F 2019/086; G09F  
2019/088  
See application file for complete search history.

(56) **References Cited**  
U.S. PATENT DOCUMENTS  
306,963 A 10/1884 Schellinger  
814,344 A 3/1906 Bacon  
2,085,097 A \* 6/1937 Hansen ..... A47F 11/02  
40/584  
D165,261 S \* 11/1951 Barry ..... D6/672  
3,633,253 A 1/1972 Ellis  
(Continued)

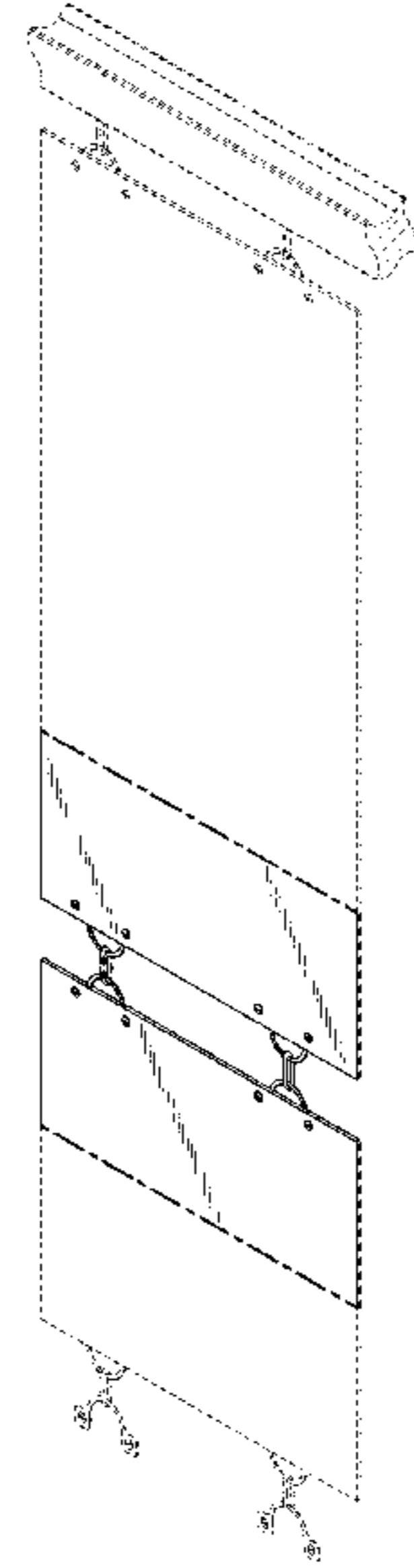
**OTHER PUBLICATIONS**  
“Cable Suspension Systems”, printed from www.griplocksyste.ms.com/product-category/signage, publicly available at least as early as Oct. 21, 2016, per http://web.archive.org (4 pages).  
(Continued)

*Primary Examiner* — Mary Ann Calabrese  
*Assistant Examiner* — Catherine Ho  
(74) *Attorney, Agent, or Firm* — JoAnn M. Seaton;  
Griffiths & Seaton PLLC

(57) **CLAIM**  
The ornamental design for a display fixture, as shown and described.

**DESCRIPTION**  
FIG. 1 is a top and front perspective view of a display fixture, showing our new design;  
FIG. 2 is a front view thereof;  
FIG. 3 is a rear view thereof;  
FIG. 4 is a right side view thereof;  
FIG. 5 is a left side view thereof;  
FIG. 6 is a top view thereof; and,  
FIG. 7 is a bottom view thereof.  
In the drawings, the broken lines depict unclaimed subject matter only. The bolded long dash-short dash broken lines indicate the bounds of the claimed design and otherwise form no part of the claimed design.

**1 Claim, 3 Drawing Sheets**



(56)

References Cited

U.S. PATENT DOCUMENTS

4,127,196 A \* 11/1978 Boucher ..... A47F 5/0815  
160/351  
4,916,840 A \* 4/1990 Getz ..... G09F 7/00  
40/605  
D312,262 S \* 11/1990 Allon ..... D16/130  
D434,806 S \* 12/2000 Justen ..... D20/10  
D434,807 S \* 12/2000 Justen ..... D20/10  
D552,182 S \* 10/2007 Sparkowski ..... D20/42  
D598,576 S \* 8/2009 Henriquez ..... D25/138  
D599,408 S \* 9/2009 Wormser ..... D20/21  
D600,945 S \* 9/2009 Kelsen ..... D14/451  
D602,713 S \* 10/2009 Stukenberg ..... D6/681.1  
D608,831 S \* 1/2010 Taylor ..... D20/10  
7,805,904 B2 10/2010 Clark et al.  
7,895,784 B1 3/2011 Clark et al.  
D662,992 S \* 7/2012 Hernandez ..... D20/41  
8,646,197 B2 2/2014 Clark et al.  
9,076,353 B1 \* 7/2015 Delaney, Jr. .... B65D 31/00  
D742,732 S 11/2015 Vinsonhaler  
9,232,865 B2 \* 1/2016 Trinh ..... A47F 5/0807  
D749,676 S 2/2016 Clark  
D767,926 S \* 10/2016 Denby ..... D6/705  
9,978,295 B1 \* 5/2018 Denby ..... G09F 15/0056

10,264,882 B1 \* 4/2019 Lai ..... A47B 96/205  
D880,800 S \* 4/2020 Edgerton ..... D34/21  
10,634,985 B2 \* 4/2020 Yu ..... G03B 21/56  
D894,647 S \* 9/2020 Erebia ..... D6/681.1  
2002/0121034 A1 \* 9/2002 Schmitt ..... G09F 15/0025  
40/604

OTHER PUBLICATIONS

“Aisle Marker Signage for Store”, printed from [www.dgsretail.com/P1004/Aisle-Marker-Signage-for-Store-...g?gclid=EAlalQobChMlxvruvOmk3gIVFY\\_ICh0X9gdREAQYCCABEglfw\\_D\\_BwE](http://www.dgsretail.com/P1004/Aisle-Marker-Signage-for-Store-...g?gclid=EAlalQobChMlxvruvOmk3gIVFY_ICh0X9gdREAQYCCABEglfw_D_BwE), publicly available at least as early as Oct. 26, 2018 (10 pages).  
“Floor-Standing Display Systems Freestyle Display Stands”, printed from [www.novadisplay.com/Display\\_Systems/free-style-display-stands.html](http://www.novadisplay.com/Display_Systems/free-style-display-stands.html), publicly available at least as early as Sep. 6, 2013, per <http://web.archive.org> (2 pages).  
“Retail Aisle Signage End Cap Displays”, printed from [www.dgsretail.com/P1313/End-Cap-Aisle-Sign-for-Stores-Ma...n?gclid=EAlalQobChMlxvruvOmk3gIVFY\\_ICh0X9gdREAQYAYABEgJpD\\_D\\_BwE](http://www.dgsretail.com/P1313/End-Cap-Aisle-Sign-for-Stores-Ma...n?gclid=EAlalQobChMlxvruvOmk3gIVFY_ICh0X9gdREAQYAYABEgJpD_D_BwE), publicly available at least as early as Oct. 26, 2018 (9 pages).

\* cited by examiner

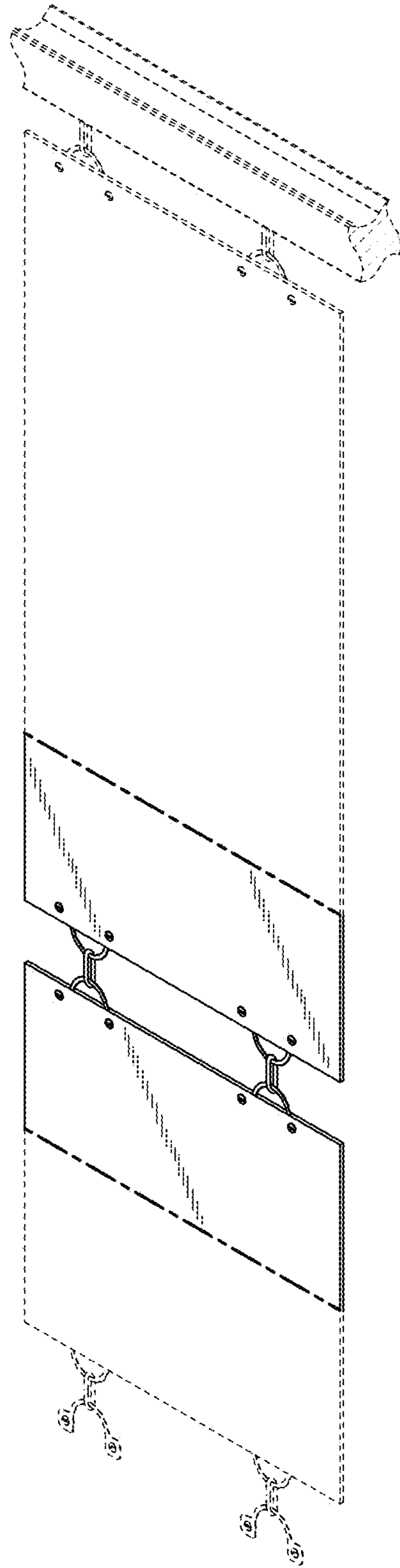


FIG. 1

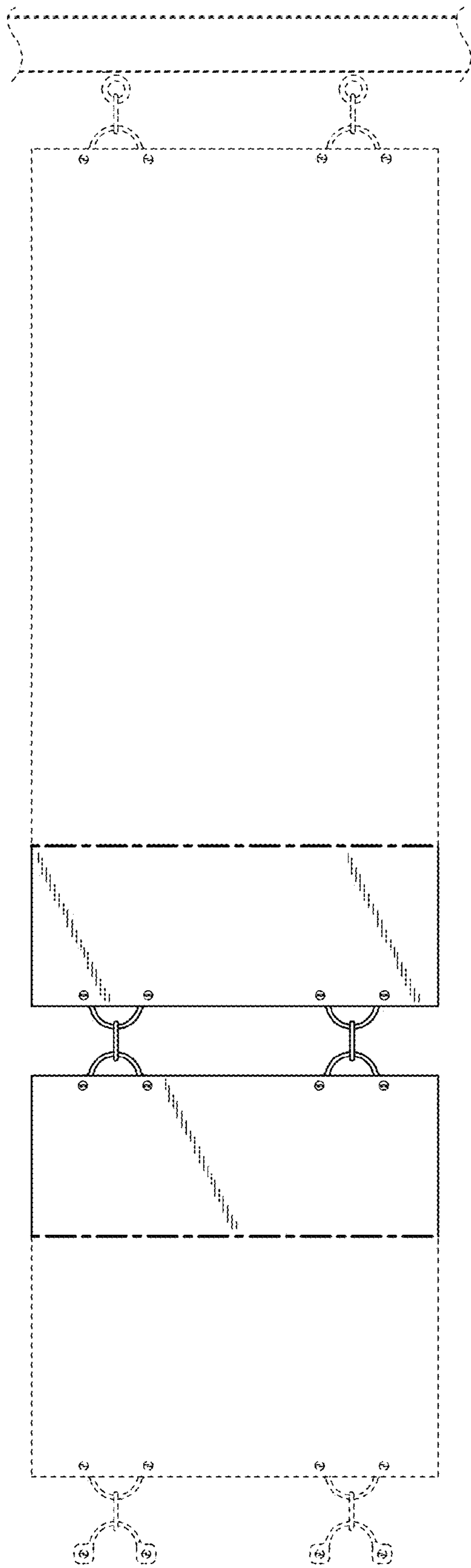


FIG. 2

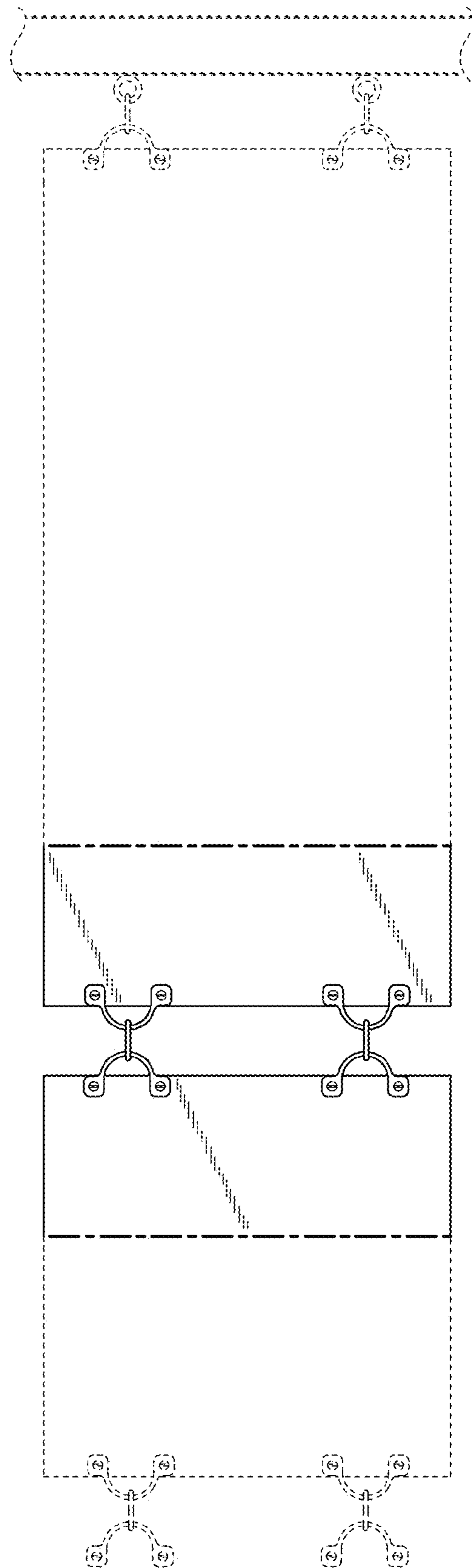


FIG. 3

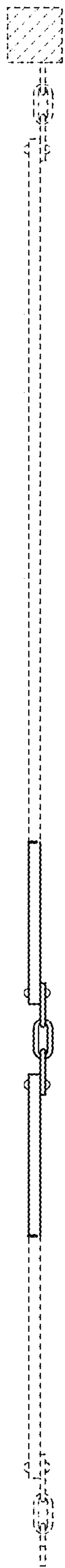


FIG. 4

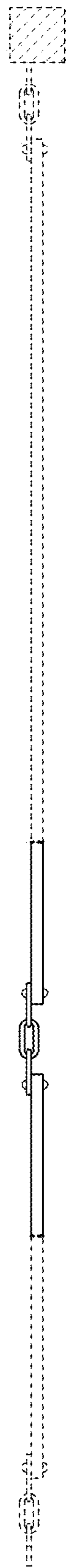


FIG. 5

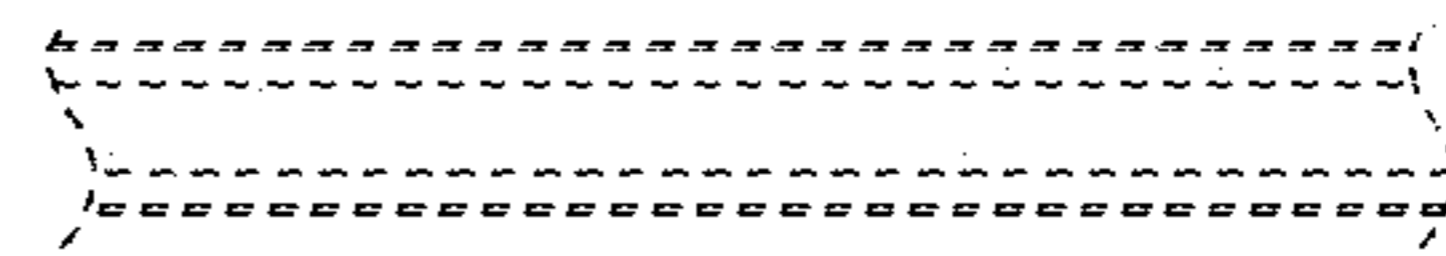


FIG. 6

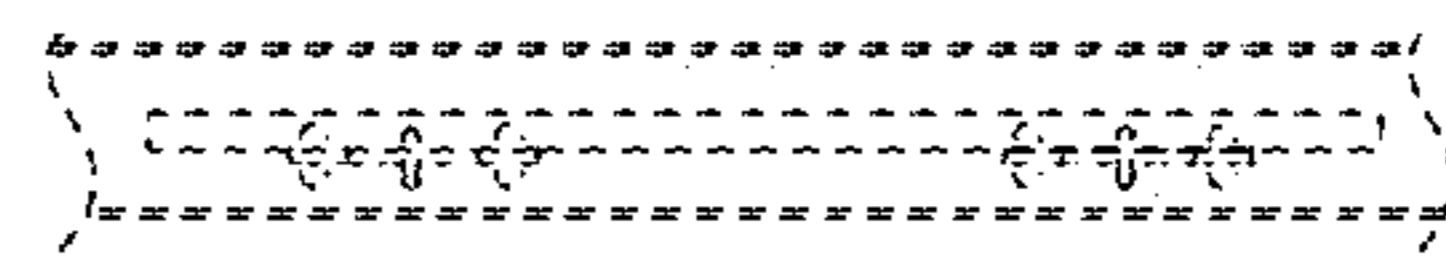


FIG. 7