



US00D919705S

(12) **United States Design Patent** (10) **Patent No.:** **US D919,705 S**
Reneau (45) **Date of Patent:** **** May 18, 2021**

(54) **DISPLAY DEVICE**
(71) Applicant: **William Reneau**, Woolwich, NJ (US)
(72) Inventor: **William Reneau**, Woolwich, NJ (US)
(**) Term: **15 Years**
(21) Appl. No.: **29/654,265**
(22) Filed: **Jun. 22, 2018**
(51) **LOC (13) Cl.** **20-02**
(52) **U.S. Cl.**
USPC **D20/35**
(58) **Field of Classification Search**
USPC D12/86, 91, 92, 163–172; D20/10, 13,
D20/15, 19, 22–23, 29, 35; D21/424,
D21/427, 433, 434, 548–550, 560–561;
D11/72, 112, 138, 163; D1/113;
D19/95–97
CPC A63H 17/26; A63H 17/262; A63H 17/264;
A63H 17/266; A63H 17/36; A63H 17/38;
A63H 29/00; A63H 29/22; A63H 29/24;
A63H 30/04; B60R 19/02; B60R 19/023;
B60R 19/18; B60R 19/24; B60R 19/44;
B60R 19/48; B60R 19/56; B60R
2019/527; B60R 2019/1886
See application file for complete search history.

D572,179 S * 7/2008 Zimmermann D12/163
D746,731 S * 1/2016 Quezada D12/163
D814,571 S * 4/2018 McPherson D20/35
D826,107 S * 8/2018 DiCanzio D12/163
D828,223 S * 9/2018 Piscitelli D12/91
D842,172 S * 3/2019 Chi D12/163
D842,175 S * 3/2019 Hartenstein D12/163
D852,900 S * 7/2019 Zhou D21/552

OTHER PUBLICATIONS

“Jeep Display—Roar VBS by Group.” concordiasupply.com. Date not available. Accessed Aug. 6, 2020. Available online at URL: <https://www.concordiasupply.com/Jeep-Display-Roar-VBS> (Year: N/A).*

* cited by examiner

Primary Examiner — Christian P. McLean
(74) *Attorney, Agent, or Firm* — Paul & Paul

(57) **CLAIM**

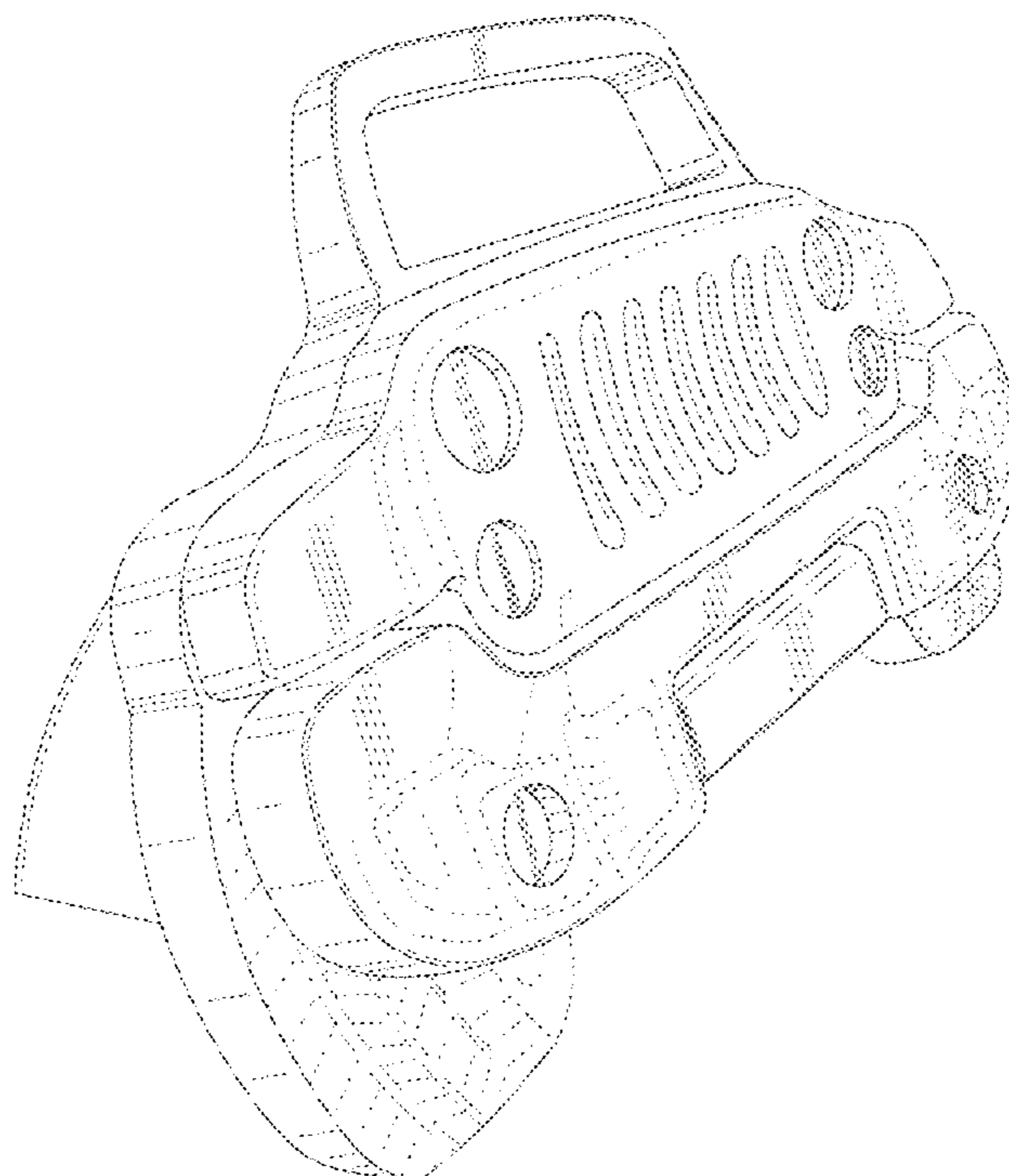
The ornamental design for a display device, as shown and described.

DESCRIPTION

FIG. 1 is a perspective view of a display device embodying the new design;
FIG. 2 is a front elevation view thereof;
FIG. 3 is a rear elevational view thereof;
FIG. 4 is a top plan view thereof;
FIG. 5 is a bottom plan view thereof.
FIG. 6 is a left side elevational view thereof; and,
FIG. 7 is a right side elevational view thereof.
The broken lines illustrate portions of the display panel that form no part of the claimed design.

1 Claim, 6 Drawing Sheets

(56) **References Cited**
U.S. PATENT DOCUMENTS
4,575,355 A * 3/1986 Lee A63H 17/26
180/268
D464,087 S * 10/2002 Wu D21/433
D521,424 S * 5/2006 Sackley D12/163



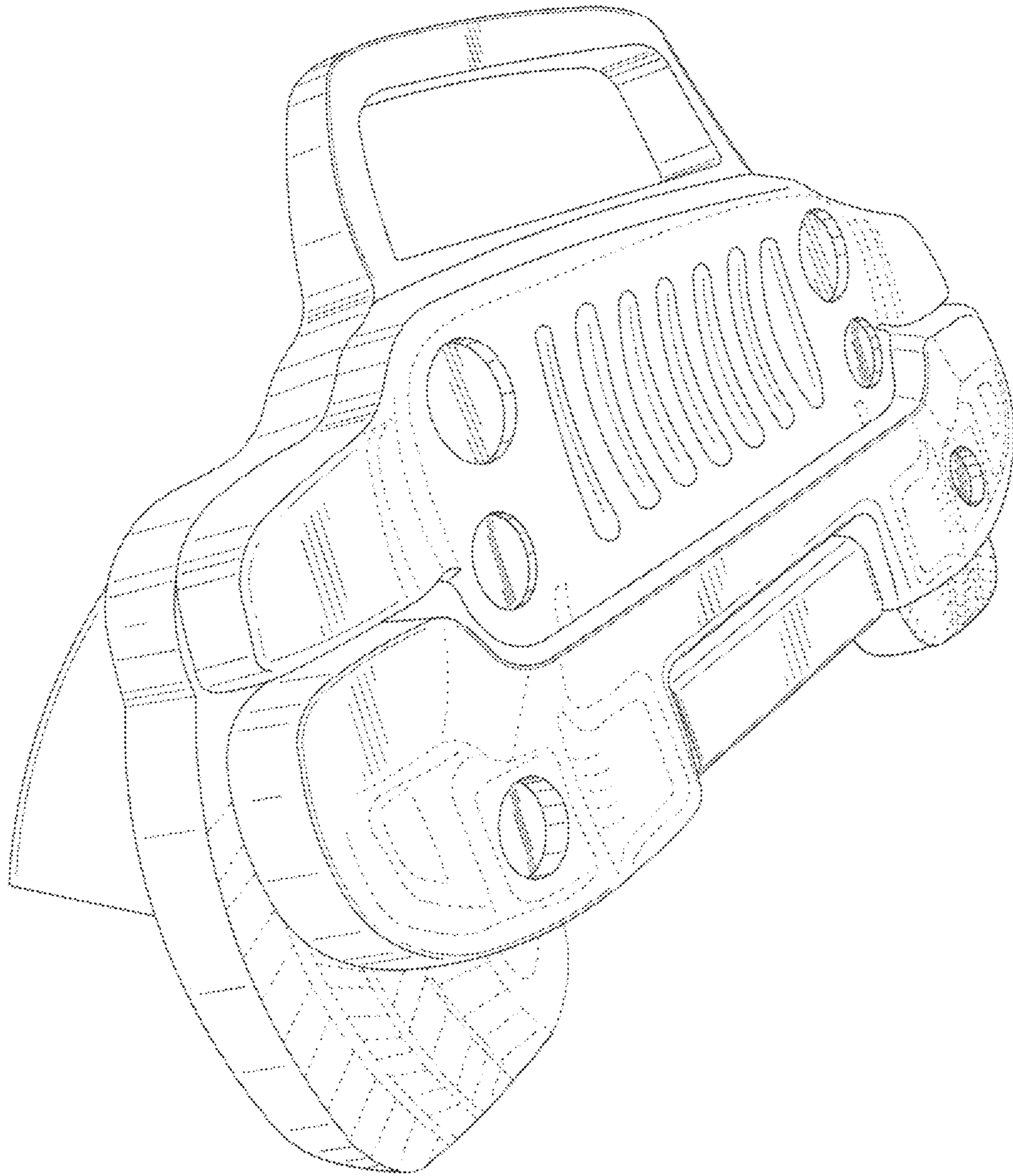


FIG. 1

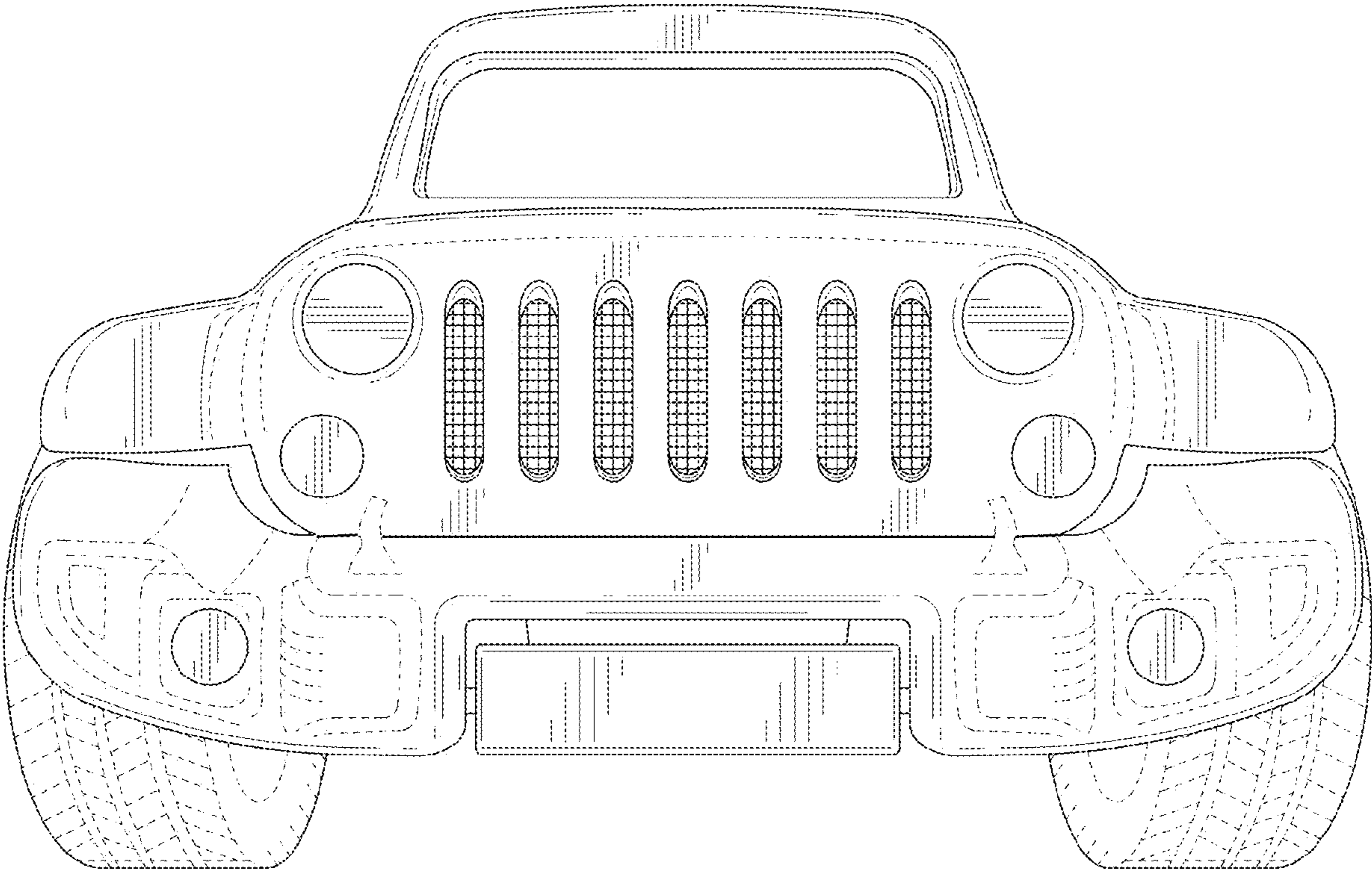


FIG. 2

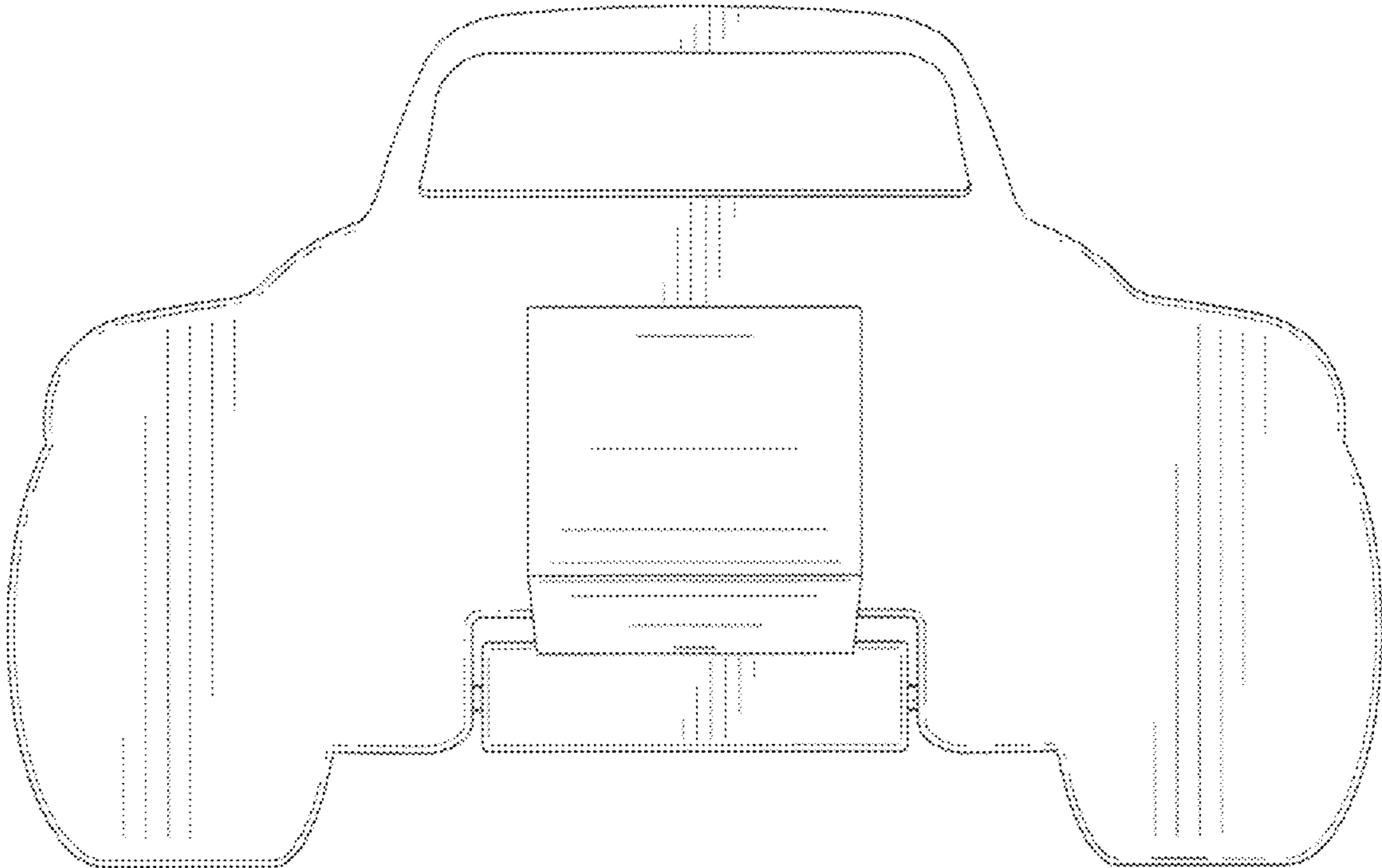


FIG. 3

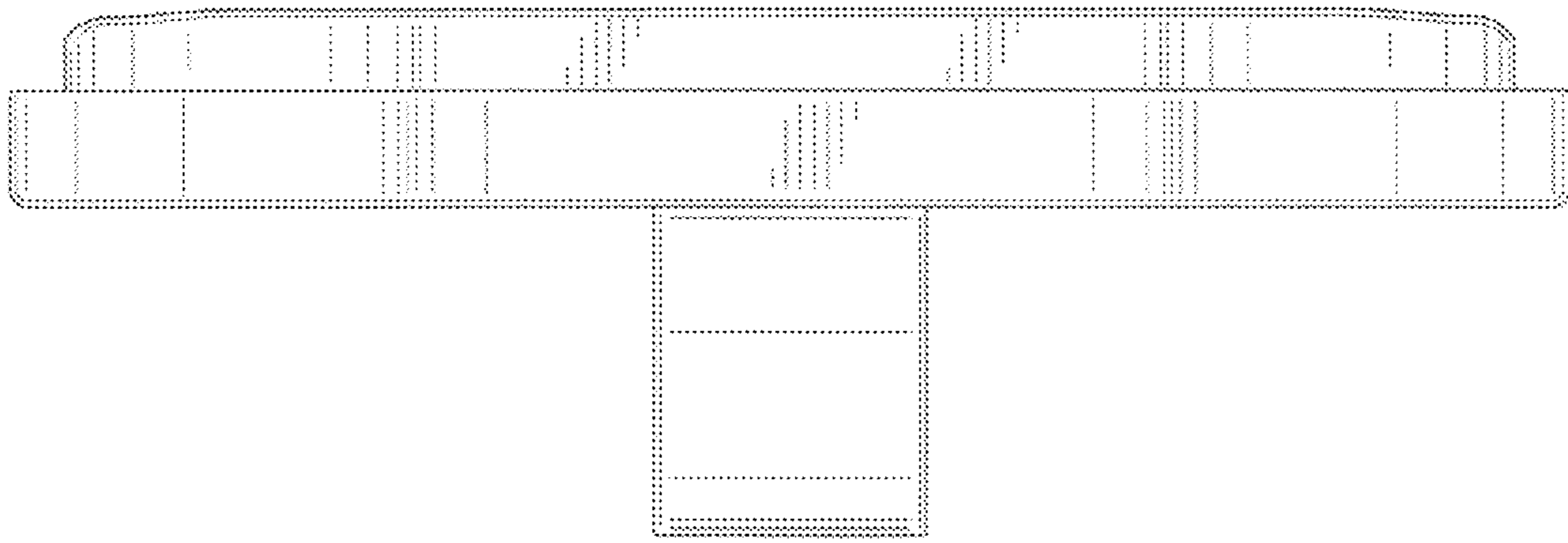


FIG. 4

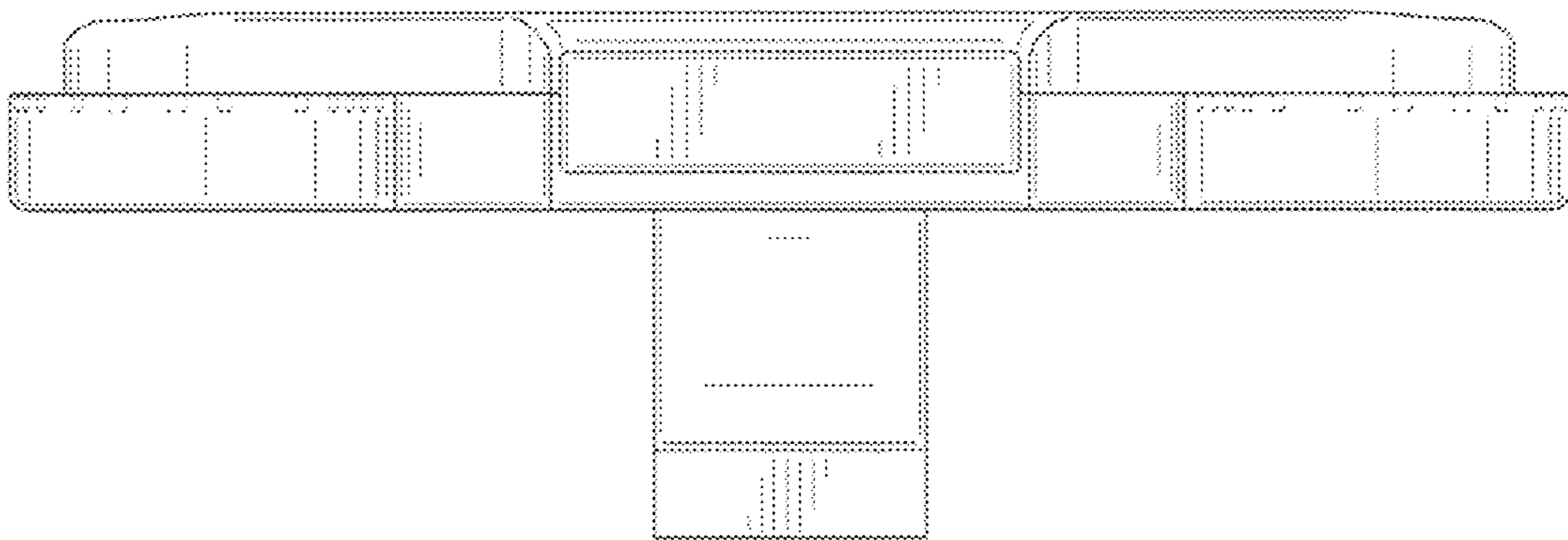


FIG. 5

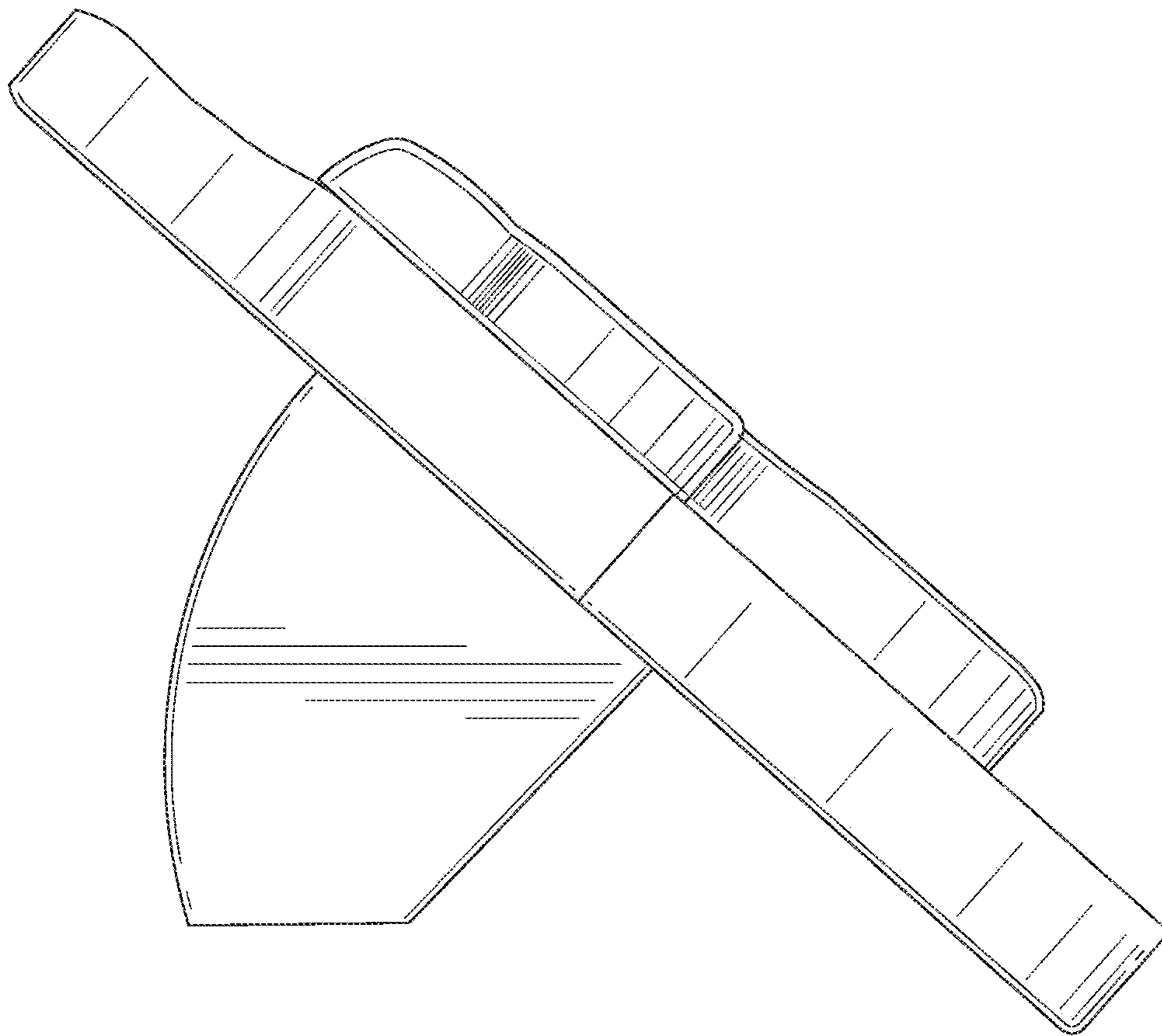


FIG. 6

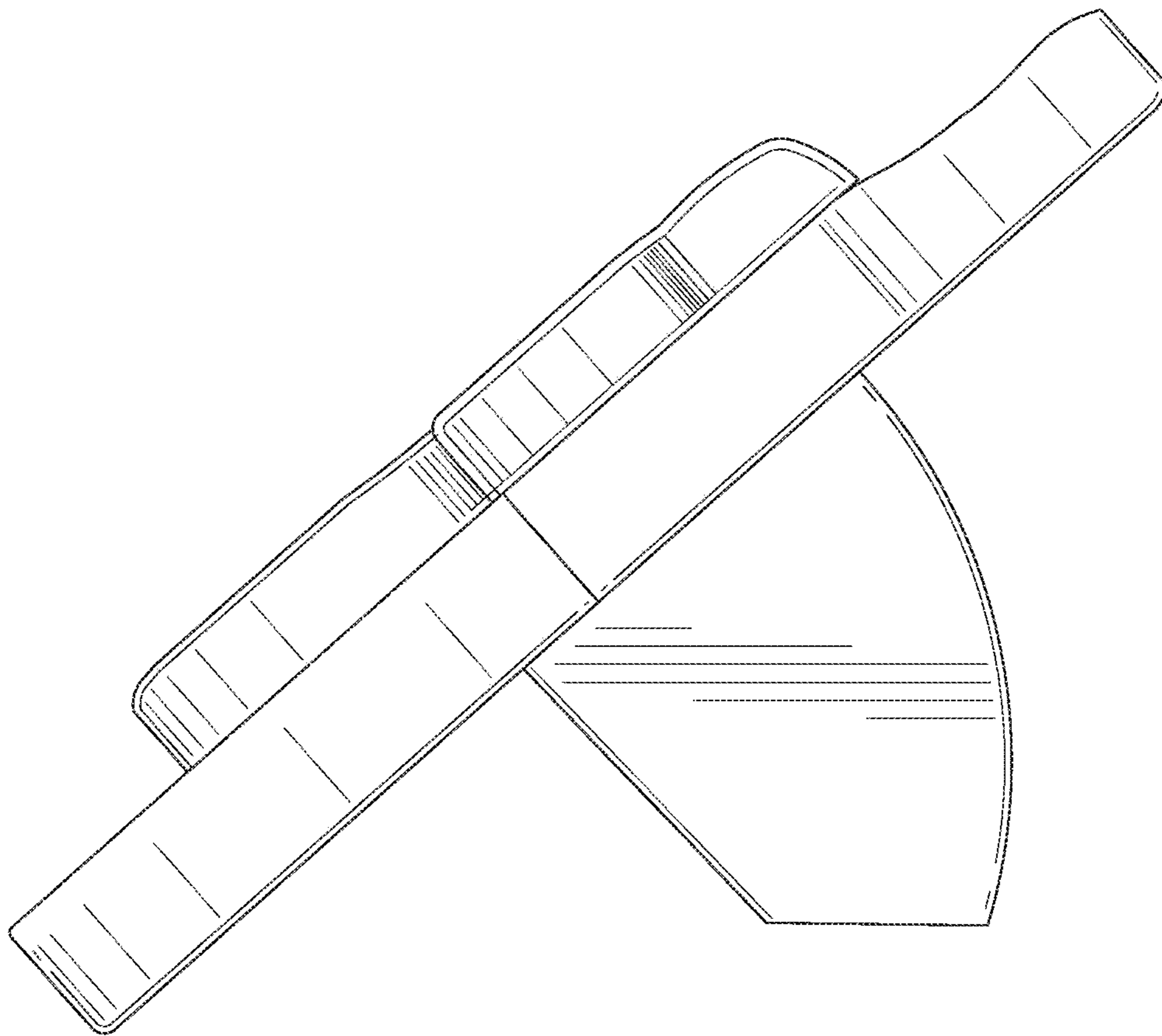


FIG. 7