



US00D919704S

(12) **United States Design Patent**  
**Farhi et al.**

(10) **Patent No.:** **US D919,704 S**  
(45) **Date of Patent:** **\*\* May 18, 2021**

- (54) **CHALKBOARD**
- (71) Applicant: **Cedar Group LLC**, Las Vegas, NV  
(US)
- (72) Inventors: **Roei Farhi**, Kibbutz Hamadia (IL);  
**Efrat Shavit Farhi**, Kibbutz Hamadia  
(IL)
- (73) Assignee: **CEDAR GROUP LLC**, Las Vegas, NV  
(US)
- (\*\*) Term: **15 Years**
- (21) Appl. No.: **29/697,457**
- (22) Filed: **Jul. 9, 2019**
- (51) **LOC (13) Cl.** ..... **19-06**
- (52) **U.S. Cl.**  
USPC ..... **D19/114**
- (58) **Field of Classification Search**  
USPC ..... D19/88, 113, 114; D6/300-314;  
D7/698; D20/21, 40, 42, 43  
CPC ..... A47G 1/065; A47G 1/0616; B43L 1/00;  
B43L 1/002; B43L 1/008; B43L 1/04;  
B43L 1/08; B43L 1/10; B43L 5/00; B44D  
3/18; B44D 3/185; G09F 15/00; G09F  
15/0056; G09F 15/0068  
See application file for complete search history.

- (56) **References Cited**  
**U.S. PATENT DOCUMENTS**  
217,289 A \* 7/1879 Kane ..... G09B 29/02  
434/150  
D26,758 S \* 3/1897 Burchell ..... D19/113  
1,877,669 A \* 9/1932 Kitze ..... A47B 83/008  
297/156  
2,249,663 A \* 7/1941 Minnick ..... A47G 1/0611  
40/780  
2,528,695 A \* 11/1950 King ..... B42F 9/00  
281/45

- 2,845,732 A \* 8/1958 Nichols ..... G09F 1/14  
40/726
- 2,872,744 A \* 2/1959 Dallen ..... B43L 1/06  
434/417
- 3,321,849 A \* 5/1967 Langbart ..... B43L 1/123  
434/410
- D267,658 S \* 1/1983 Samuels, Jr. .... D20/42
- D366,107 S \* 1/1996 Shaffer ..... D20/18
- D371,005 S \* 6/1996 Brunner ..... D6/300
- D407,904 S \* 4/1999 Zaidman ..... D6/300
- 5,987,789 A \* 11/1999 Lubina ..... A47B 97/04  
38/102.1
- D423,796 S \* 5/2000 Kwan ..... D6/300
- 6,139,331 A \* 10/2000 Owen ..... B43L 1/00  
434/408
- D441,546 S \* 5/2001 Harwanko ..... D6/300
- D485,443 S \* 1/2004 Wanek ..... D6/300
- D488,624 S \* 4/2004 Wanek ..... D6/300
- D503,748 S \* 4/2005 Crawford ..... D20/41

(Continued)

**OTHER PUBLICATIONS**

Cedar Markers 15"x10" Arc Shaped Chalkboard, Manufacturer:  
Cedar Group LLC, ASIN: B07P7HPK14, online of Amazon.com,  
Earliest Dated Review: Jul. 8, 2019.\*

*Primary Examiner* — Elizabeth A. Albert  
(74) *Attorney, Agent, or Firm* — Lee & Hayes, P.C.

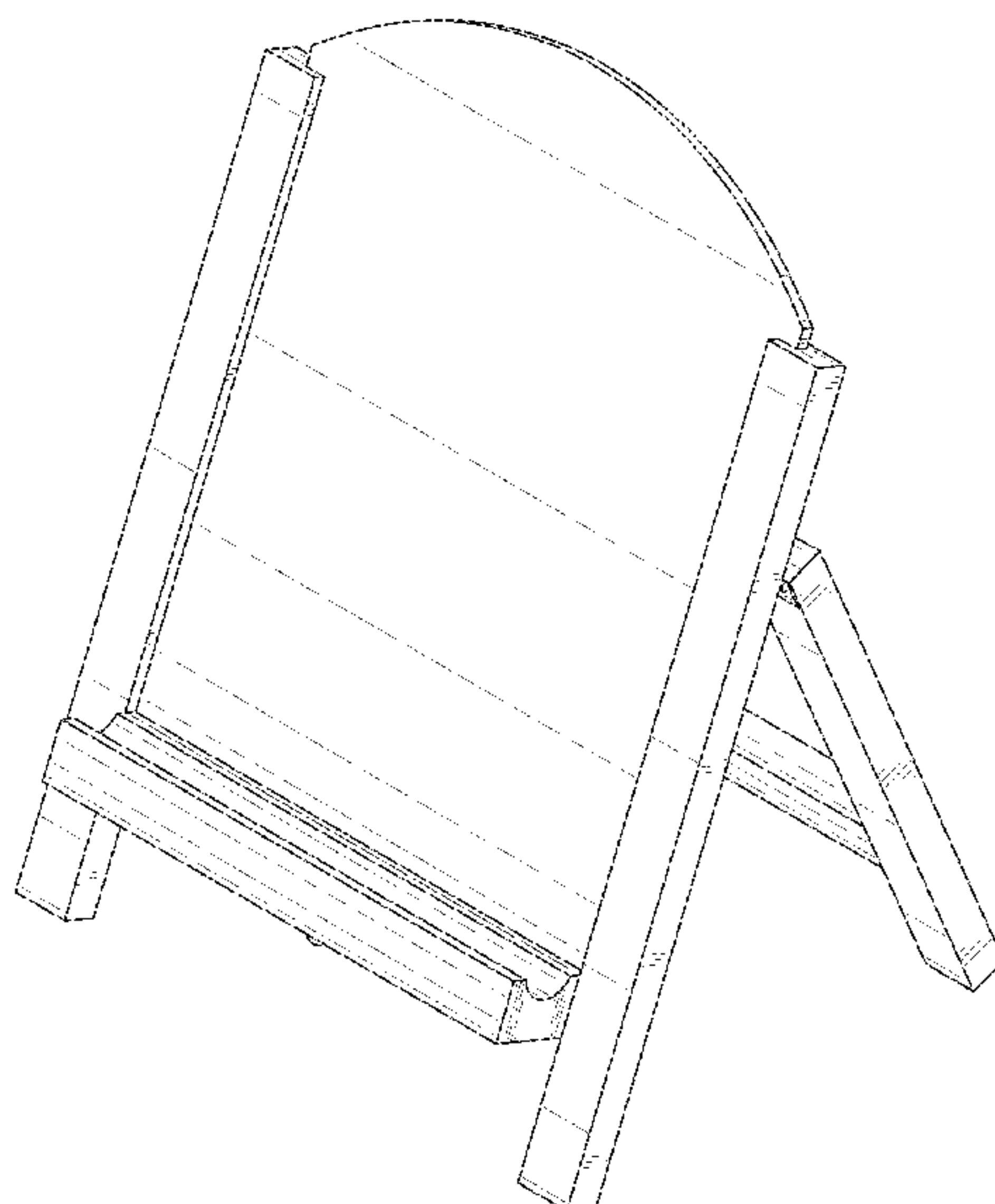
(57) **CLAIM**

The ornamental design for a chalkboard, as shown and  
described.

**DESCRIPTION**

FIG. 1 is a front perspective view of a chalkboard.  
FIG. 2 is a front view of FIG. 1.  
FIG. 3 is a back view of FIG. 1.  
FIG. 4 is a left-side view of FIG. 1.  
FIG. 5 is a right-side view of FIG. 1.  
FIG. 6 is a top view of FIG. 1; and,  
FIG. 7 is a bottom view of FIG. 1.

**1 Claim, 7 Drawing Sheets**



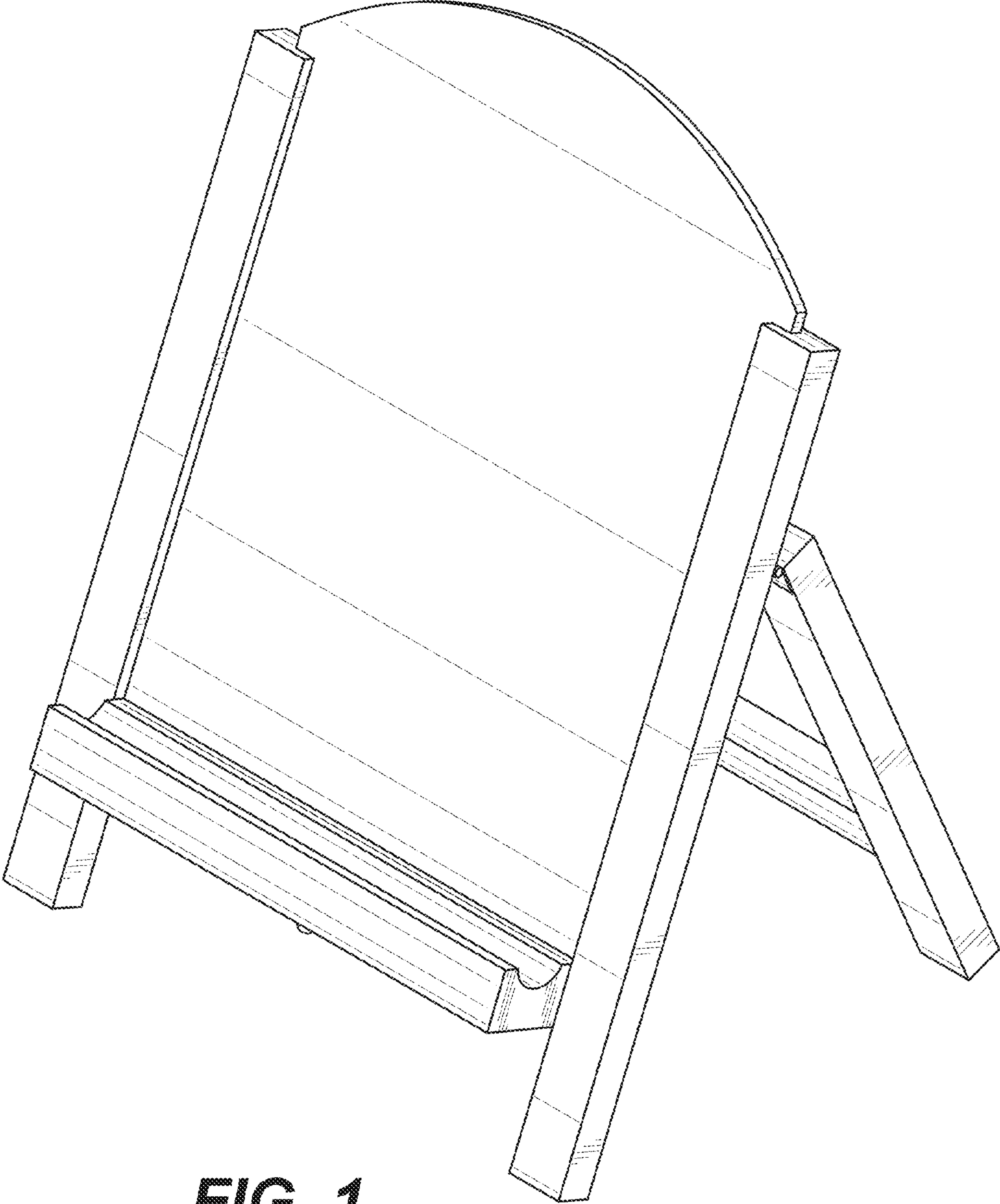
(56)

**References Cited**

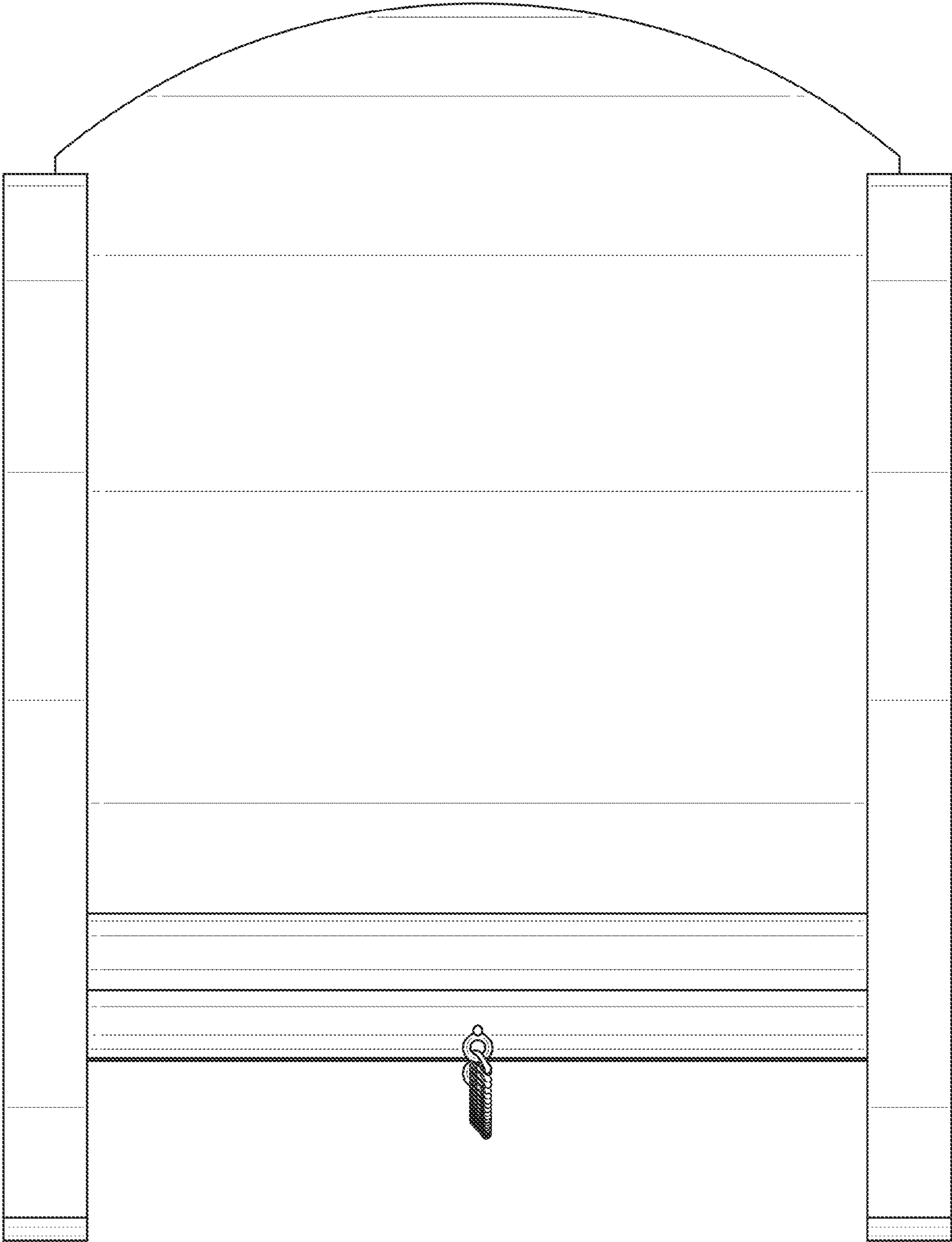
U.S. PATENT DOCUMENTS

6,991,466 B2 \* 1/2006 Jewell ..... G09B 19/00  
434/408  
D522,255 S \* 6/2006 Bruce ..... D6/300  
7,117,621 B2 \* 10/2006 Chang ..... A47G 1/0616  
40/738  
7,386,951 B2 \* 6/2008 Bartholomew ..... A47G 1/12  
40/603  
D632,114 S \* 2/2011 Roenick ..... D6/553  
D784,452 S \* 4/2017 Miller ..... D19/113  
D802,663 S \* 11/2017 Creasy ..... D19/114  
D815,843 S \* 4/2018 Gale ..... D6/300  
D870,809 S \* 12/2019 Bochner ..... D19/113  
D872,800 S \* 1/2020 Kan ..... D19/113

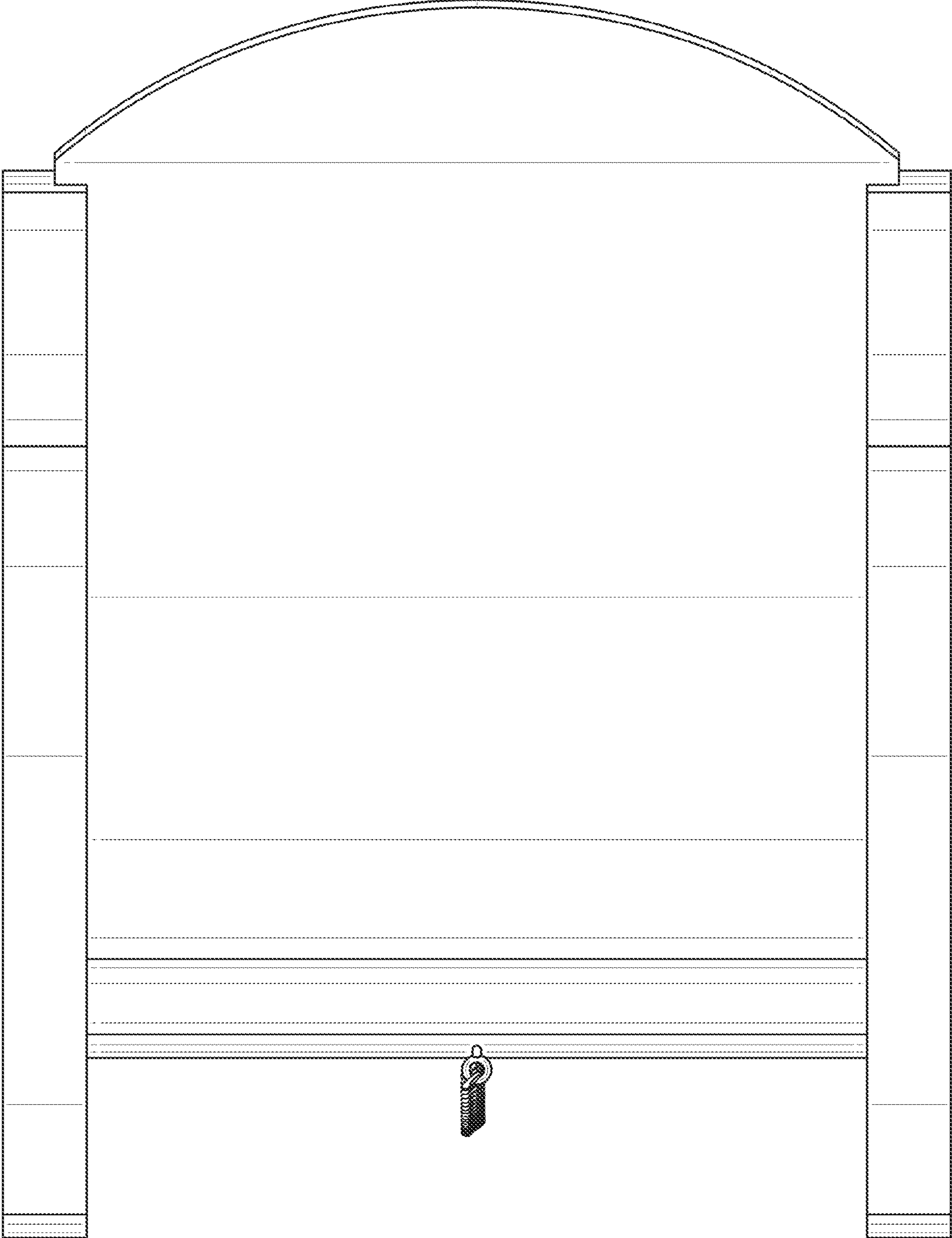
\* cited by examiner



**FIG. 1**

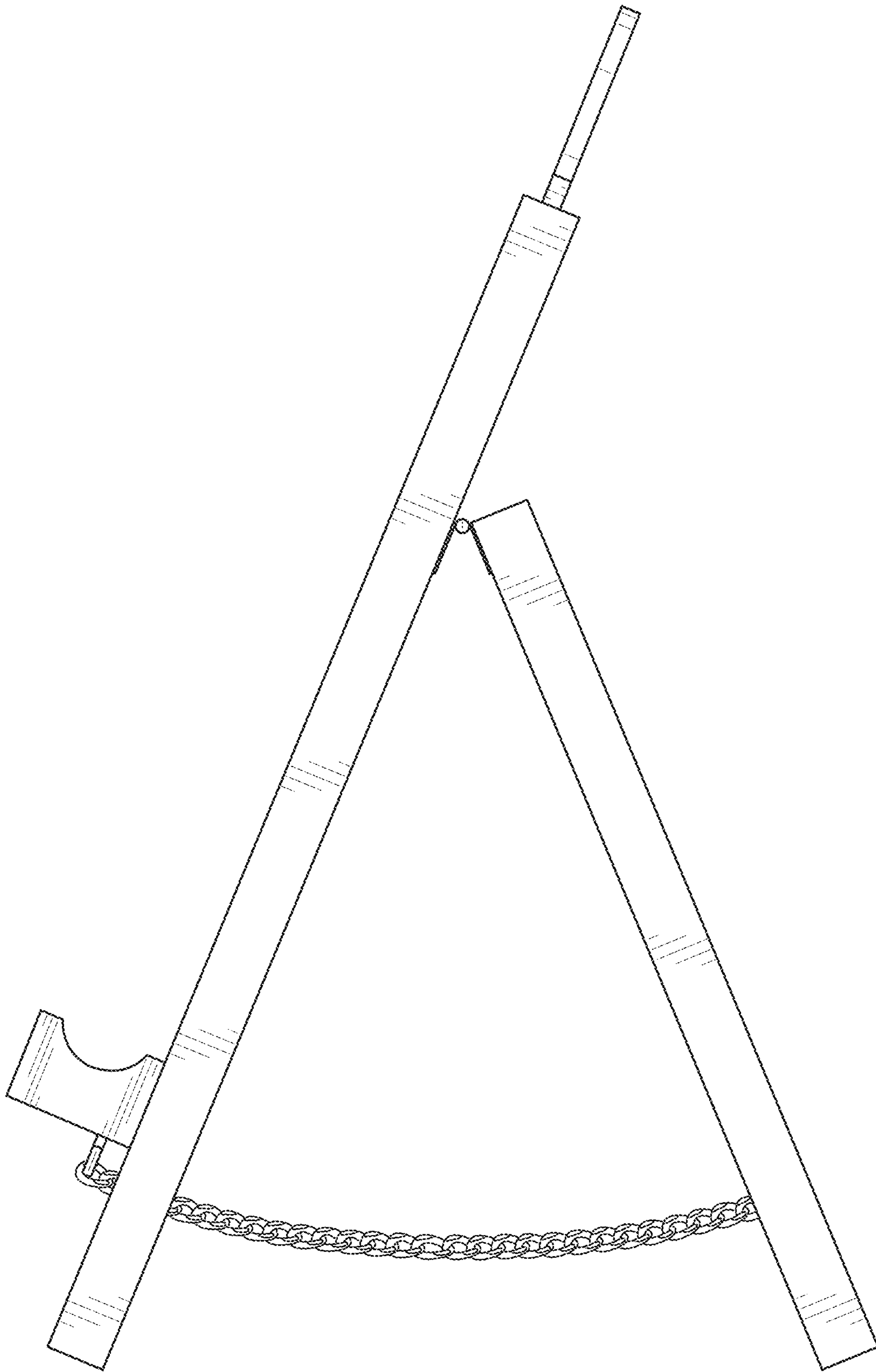


**FIG. 2**

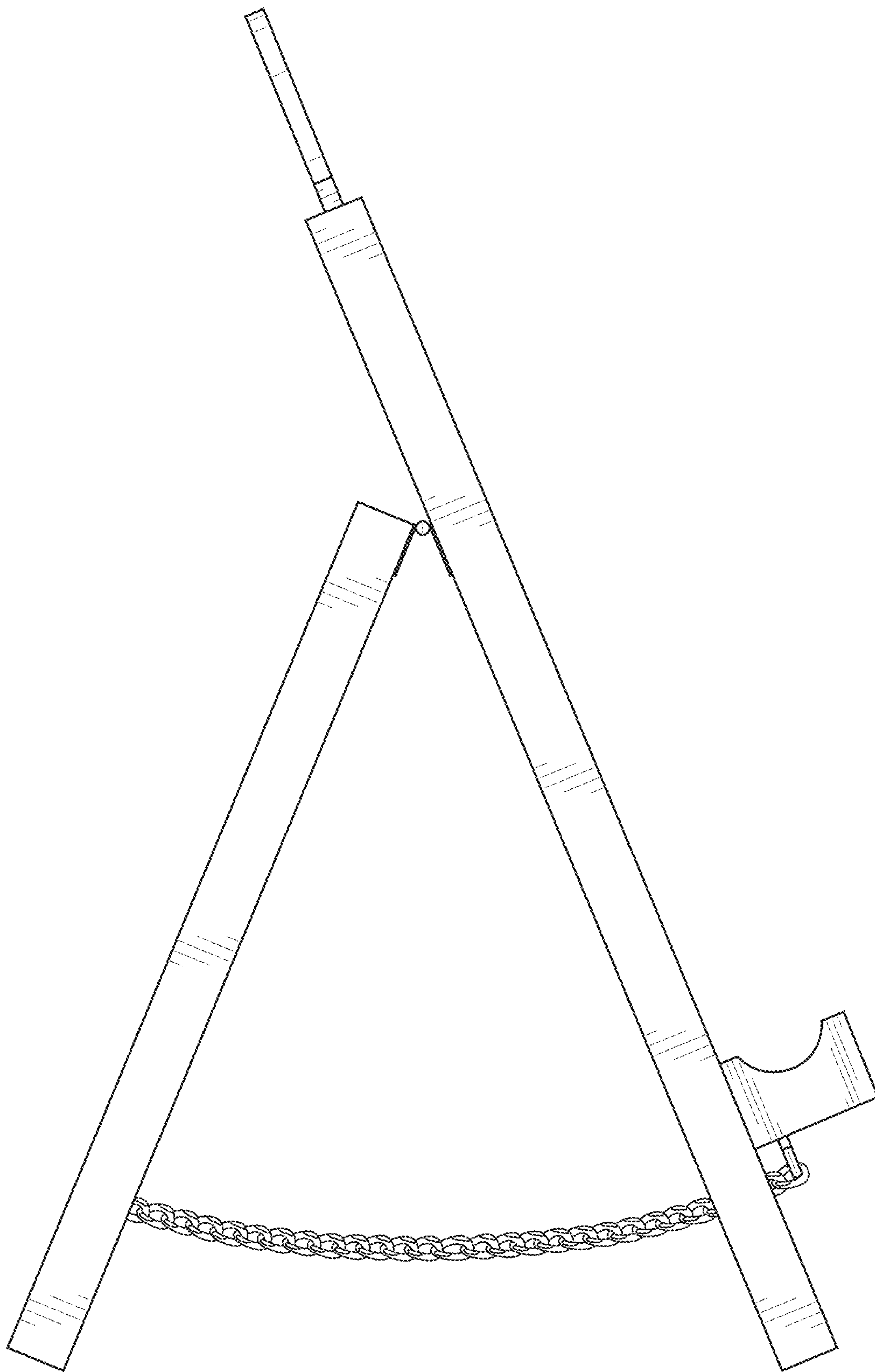


**FIG. 3**

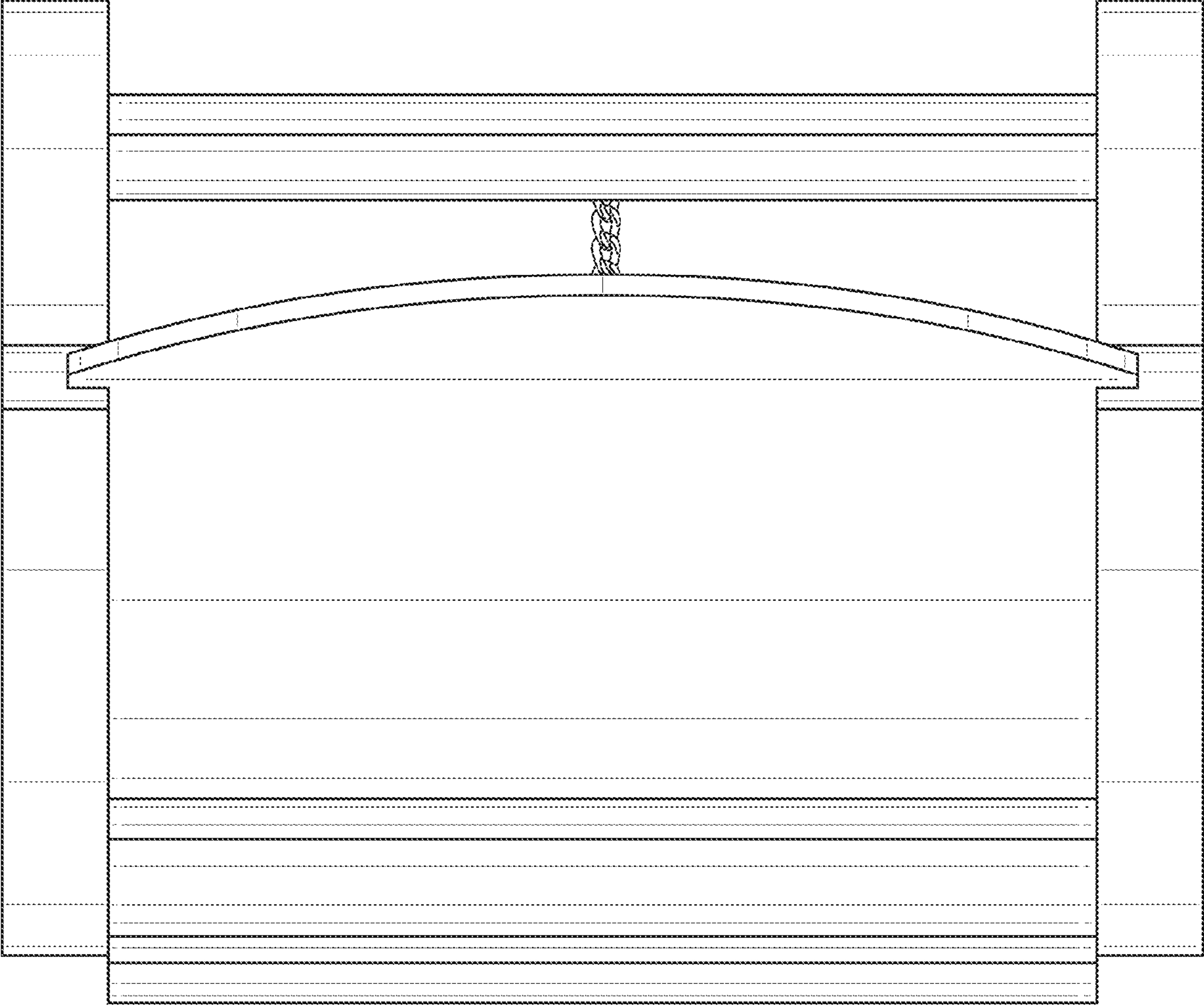




**FIG. 4**

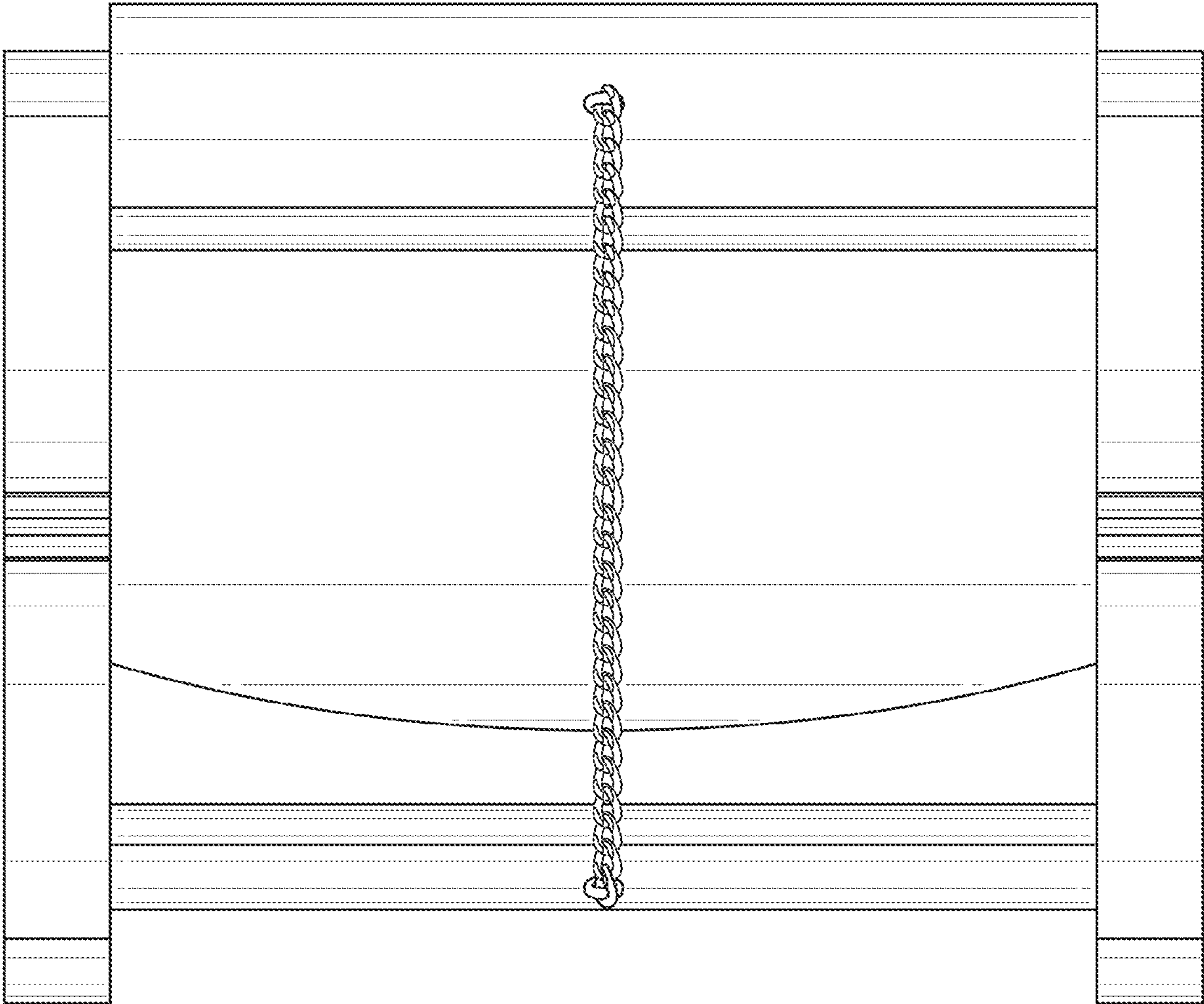


**FIG. 5**



**FIG. 6**





**FIG. 7**