



US00D919701S

(12) **United States Design Patent** (10) **Patent No.:** **US D919,701 S**  
**Liu** (45) **Date of Patent:** **\*\* May 18, 2021**

(54) **EGG MATCHING TOY SET**  
(71) Applicant: **SHENZHEN LIANGYUAN TECHNOLOGY CO., LTD.**, Shenzhen (CN)  
(72) Inventor: **Sipan Liu**, Shenzhen (CN)  
(73) Assignee: **SHENZHEN LIANGYUAN TECHNOLOGY CO., LTD.**, Shenzhen (CN)

4,367,066 A \* 1/1983 Zellweger ..... G09B 19/02 434/433  
4,504,236 A \* 3/1985 Zellweger ..... G09B 19/02 434/433  
D312,845 S \* 12/1990 Matsuda ..... D21/479  
D413,440 S \* 9/1999 Schurman ..... D3/276  
D423,052 S \* 4/2000 Chan ..... D19/59  
D651,922 S \* 1/2012 Short ..... D9/756  
D659,551 S \* 5/2012 Ramirez ..... D9/757  
D891,943 S \* 8/2020 He ..... D9/757  
2018/0155079 A1 \* 6/2018 Kuruvilla ..... B65D 51/245

(\*\*) Term: **15 Years**  
(21) Appl. No.: **29/743,455**  
(22) Filed: **Jul. 21, 2020**  
(51) **LOC (13) Cl.** ..... **19-07**  
(52) **U.S. Cl.**  
USPC ..... **D19/64**  
(58) **Field of Classification Search**  
USPC ..... D19/59-64; D9/737, 757-760, 762; D7/503, 601, 611, 614, 615; D21/470, D21/479, 504, 712; D3/282  
CPC ..... G06N 99/005; A44C 5/0015; A63B 71/0672; A63F 3/04; A63F 3/0478; A63F 3/00634; A63F 9/0098; A63F 9/06; A63F 9/0413; A63F 2009/0484; A63F 2009/0486; A63F 2009/0488; B65D 85/32; B65D 11/20; B65D 5/00; B29L 2031/7168; G09B 19/00; G06C 1/00; G06C 1/02; G06C 1/10; G06C 1/14; G06C 1/20; G06C 19/00; G06C 19/02; G06C 9/02

**FOREIGN PATENT DOCUMENTS**

CA 2783321 A1 \* 1/2013 ..... B65D 21/0209  
CN 3124238 \* 10/1999  
CN 304305012 \* 10/2017  
CN 304305013 \* 10/2017  
CN 304305014 \* 10/2017

**OTHER PUBLICATIONS**

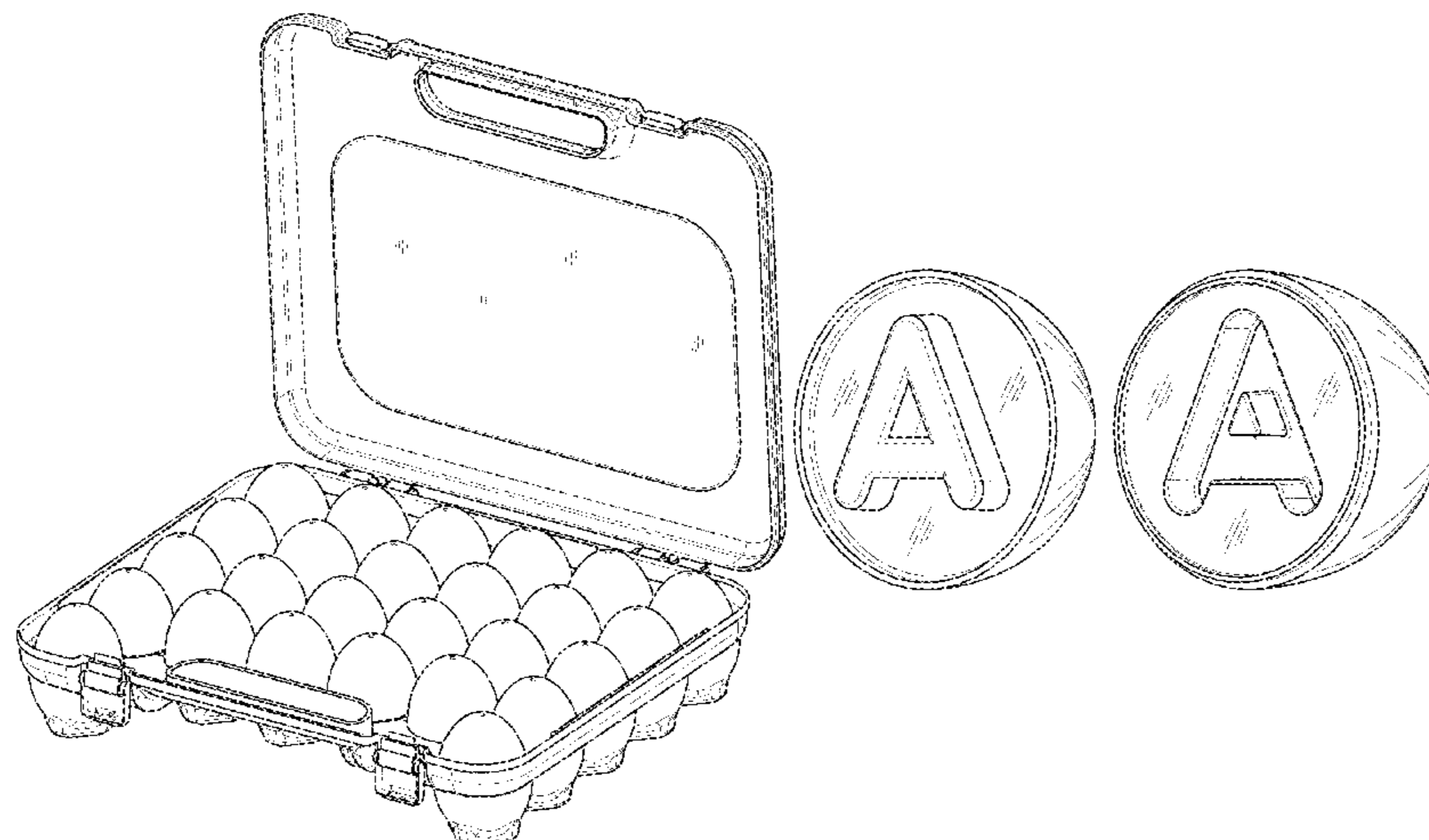
Amazon. Link: [https://www.amazon.com/dp/B08F43324D/ref=cm\\_sw\\_em\\_r\\_mt\\_dp\\_rqgaGb9WJW804?\\_encoding=UTF8&psc=1](https://www.amazon.com/dp/B08F43324D/ref=cm_sw_em_r_mt_dp_rqgaGb9WJW804?_encoding=UTF8&psc=1). Nov. 3, 2020. ibestby Matching Eggs 26Pack A-Z Alphabet 5 Colors. (Year: 2020).\*  
Amazon. Link: [https://www.amazon.com/dp/B08PTW1PB8/ref=cm\\_sw\\_em\\_r\\_mt\\_dp\\_KP9QGHD02KX5N7NV21NM](https://www.amazon.com/dp/B08PTW1PB8/ref=cm_sw_em_r_mt_dp_KP9QGHD02KX5N7NV21NM). Dec. 31, 2020. Play Brainy Montessori Alphabet Matching Eggs, 26 Pc. ABC Letter Set. (Year: 2020).\*  
Target. Link: <https://www.target.com/p/lamaze-sort-38-squeak-eggs-infant-toy/-/A-78369605#lnk=sametab>. Visited Feb. 8, 2021. Lamaze Sort & Squeak Eggs Infant Toy. (Year: 2021).\*  
Walmart. Link: <https://www.walmart.com/ip/NOGIS-Learning-Match-Eggs-Toy-Set-Toddlers-Egg-Toys-Toddlers-Preschool-Educational-Color-Shape-Recognition-Skil...> Visited Feb. 8, 2021. NOGIS Learning Match Eggs Toy Set for Toddlers, Egg Toys. (Year: 2021).\*  
“D-FantiX Color Matching Egg Set of 12, Easter Toys tor Toddler Color & Shape Recognition Skill Sorter Learn Vegetables Fruits Matching Easter Eggs Educational Early Learning Toy for Toddlers and Kids”, Retrieved Jul. 21, 2020]. Retrieved from Internet, <https://www.amazon.com/D-FantiX-Recognition-Fruits-Matching-Educational-Early-Learning/dp/B083LFJ16P/ref>.  
“Beakabao 12pcs Color and Shape Matching Egg Set Montessori Toddler Education Classification Toys for Fine Motor Skills of The Fingers Muscles, Preschool Children Smart Puzzles Easter Gifts

See application file for complete search history.

(56) **References Cited**

**U.S. PATENT DOCUMENTS**

D118,253 S \* 12/1939 Steinhardt ..... D21/479  
2,723,465 A \* 11/1955 Silverstein ..... G09B 17/00 434/159  
3,787,599 A \* 1/1974 Castanis ..... G09B 19/02 434/205  
4,273,542 A \* 6/1981 Zellweger ..... G09B 19/02 434/433



(Green)", Retrieved Jul. 21, 2020]. Retrieved from Internet, <https://www.amazon.com/Beakabao-Set-Montessori-Education-Classification-Preschool/dp/B07Q79959S/ref>.

\* cited by examiner

*Primary Examiner* — Lauren D McVey

(57) **CLAIM**

The ornamental design for an egg matching toy set, as shown and described.

**DESCRIPTION**

FIG. 1 is a front elevation view of a case of an egg matching toy set, showing my new design in a closed state;  
 FIG. 2 is a right side elevation view thereof;  
 FIG. 3 is a rear elevation view thereof;  
 FIG. 4 is a left side elevation view thereof;  
 FIG. 5 is a bottom plan view thereof;  
 FIG. 6 is a top plan view thereof;  
 FIG. 7 is a perspective view thereof;  
 FIG. 8 is a perspective view of the egg matching toy set with the case in an open state and the egg matching toys in the case;  
 FIG. 9 is a front elevation view of any one of the egg matching toys of the egg matching toy set, shown separately for ease of illustration and in a closed state;  
 FIG. 10 is a rear elevation view thereof;  
 FIG. 11 is a left side elevation view thereof;  
 FIG. 12 is a right side elevation view thereof;  
 FIG. 13 is a top plan view thereof;  
 FIG. 14 is a bottom plan view thereof;  
 FIG. 15 is a perspective view thereof;  
 FIG. 16 is a perspective view of a first egg matching toy of the egg matching toy set, shown separately for ease of illustration and in a separated state;  
 FIG. 17 is a front elevation view thereof;  
 FIG. 18 is a perspective view of a second egg matching toy of the egg matching toy set, shown separately for ease of illustration and in a separated state;  
 FIG. 19 is a front elevation view thereof;  
 FIG. 20 is a perspective view of a third egg matching toy of the egg matching toy set, shown separately for ease of illustration and in a separated state;  
 FIG. 21 is a front elevation view thereof;  
 FIG. 22 is a perspective view of a fourth egg matching toy of the egg matching toy set, shown separately for ease of illustration and in a separated state;  
 FIG. 23 is a front elevation view thereof;  
 FIG. 24 is a perspective view of a fifth egg matching toy of the egg matching toy set, shown separately for ease of illustration and in a separated state;  
 FIG. 25 is a front elevation view thereof;  
 FIG. 26 is a perspective view of a sixth egg matching toy of the egg matching toy set, shown separately for ease of illustration and in a separated state;  
 FIG. 27 is a front elevation view thereof;  
 FIG. 28 is a perspective view of a seventh egg matching toy of the egg matching toy set, shown separately for ease of illustration and in a separated state;  
 FIG. 29 is a front elevation view thereof;  
 FIG. 30 is a perspective view of an eighth egg matching toy of the egg matching toy set, shown separately for ease of illustration and in a separated state;  
 FIG. 31 is a front elevation view thereof;

FIG. 32 is a perspective view of a ninth egg matching toy of the egg matching toy set, shown separately for ease of illustration and in a separated state;  
 FIG. 33 is a front elevation view thereof;  
 FIG. 34 is a perspective view of a tenth egg matching toy of the egg matching toy set, shown separately for ease of illustration and in a separated state;  
 FIG. 35 is a front elevation view thereof;  
 FIG. 36 is a perspective view of an eleventh egg matching toy of the egg matching toy set, shown separately for ease of illustration and in a separated state;  
 FIG. 37 is a front elevation view thereof;  
 FIG. 38 is a perspective view of a twelfth egg matching toy of the egg matching toy set, shown separately for ease of illustration and in a separated state;  
 FIG. 39 is a front elevation view thereof;  
 FIG. 40 is a perspective view of a thirteenth egg matching toy of the egg matching toy set, shown separately for ease of illustration and in a separated state;  
 FIG. 41 is a front elevation view thereof;  
 FIG. 42 is a perspective view of a fourteenth egg matching toy of the egg matching toy set, shown separately for ease of illustration and in a separated state;  
 FIG. 43 is a front elevation view thereof;  
 FIG. 44 is a perspective view of a fifteenth egg matching toy of the egg matching toy set, shown separately for ease of illustration and in a separated state;  
 FIG. 45 is a front elevation view thereof;  
 FIG. 46 is a perspective view of a sixteenth egg matching toy of the egg matching toy set, shown separately for ease of illustration and in a separated state;  
 FIG. 47 is a front elevation view thereof;  
 FIG. 48 is a perspective view of a seventeenth egg matching toy of the egg matching toy set, shown separately for ease of illustration and in a separated state;  
 FIG. 49 is a front elevation view thereof;  
 FIG. 50 is a perspective view of an eighteenth egg matching toy of the egg matching toy set, shown separately for ease of illustration and in a separated state;  
 FIG. 51 is a front elevation view thereof;  
 FIG. 52 is a perspective view of a nineteenth egg matching toy of the egg matching toy set, shown separately for ease of illustration and in a separated state;  
 FIG. 53 is a front elevation view thereof;  
 FIG. 54 is a perspective view of a twentieth egg matching toy of the egg matching toy set, shown separately for ease of illustration and in a separated state;  
 FIG. 55 is a front elevation view thereof;  
 FIG. 56 is a perspective view of a twenty-first egg matching toy of the egg matching toy set, shown separately for ease of illustration and in a separated state;  
 FIG. 57 is a front elevation view thereof;  
 FIG. 58 is a perspective view of a twenty-second egg matching toy of the egg matching toy set, shown separately for ease of illustration and in a separated state;  
 FIG. 59 is a front elevation view thereof;  
 FIG. 60 is a perspective view of a twenty-third egg matching toy of the egg matching toy set, shown separately for ease of illustration and in a separated state;  
 FIG. 61 is a front elevation view thereof;  
 FIG. 62 is a perspective view of a twenty-fourth egg matching toy of the egg matching toy set, shown separately for ease of illustration and in a separated state;  
 FIG. 63 is a front elevation view thereof;

FIG. **64** is a perspective view of a twenty-fifth egg matching toy of the egg matching toy set, shown separately for ease of illustration and in a separated state;

FIG. **65** is a front elevation view thereof;

FIG. **66** is a perspective view of a twenty-sixth egg matching toy of the egg matching toy set, shown separately for ease of illustration and in a separated state; and,

FIG. **67** is a front elevation view thereof.

The wire frame lines shown throughout the views indicate surface contour. The broken lines depict portions of the egg matching toy set that form no part of the claimed design.

**1 Claim, 67 Drawing Sheets**

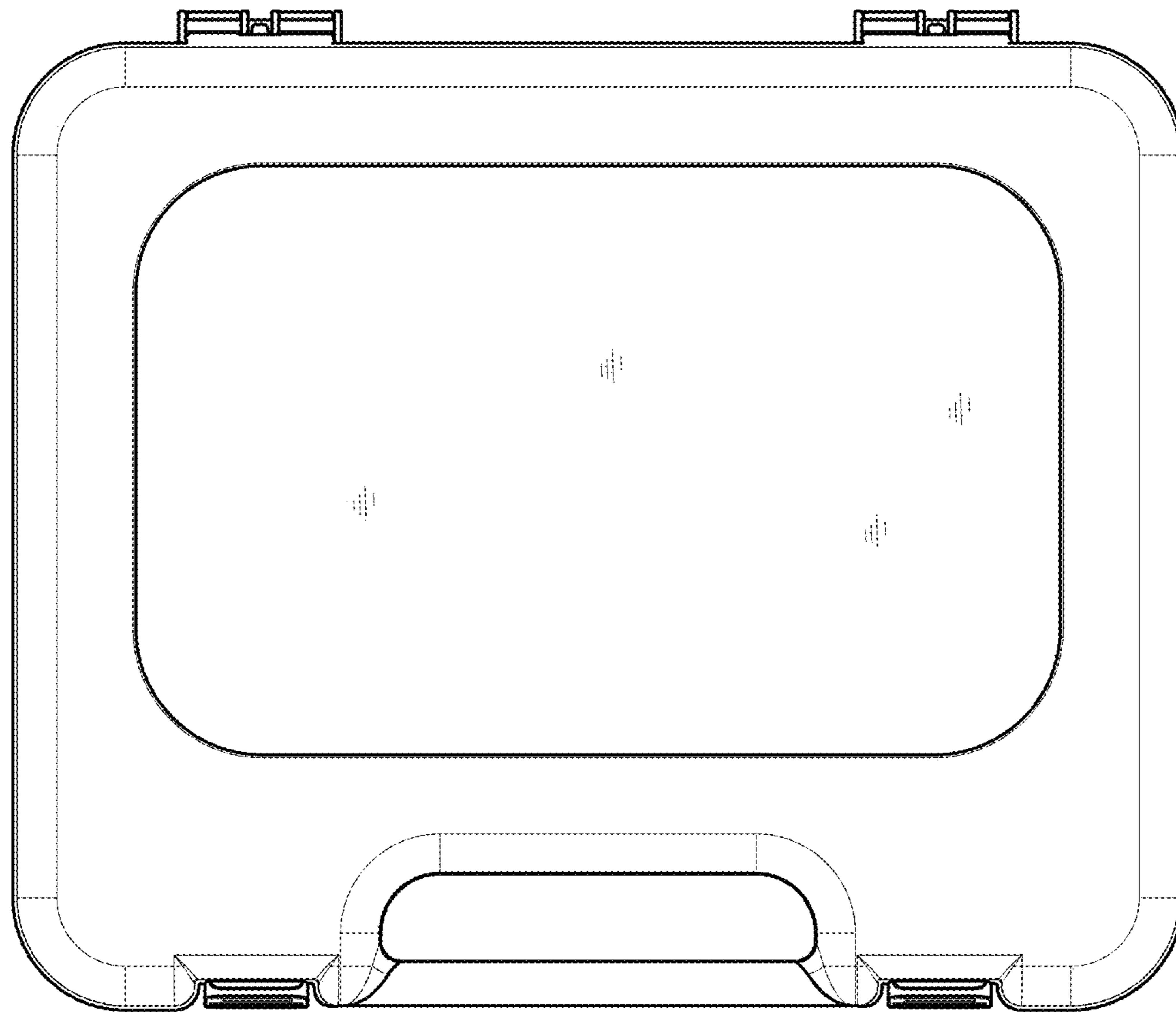


Fig. 1

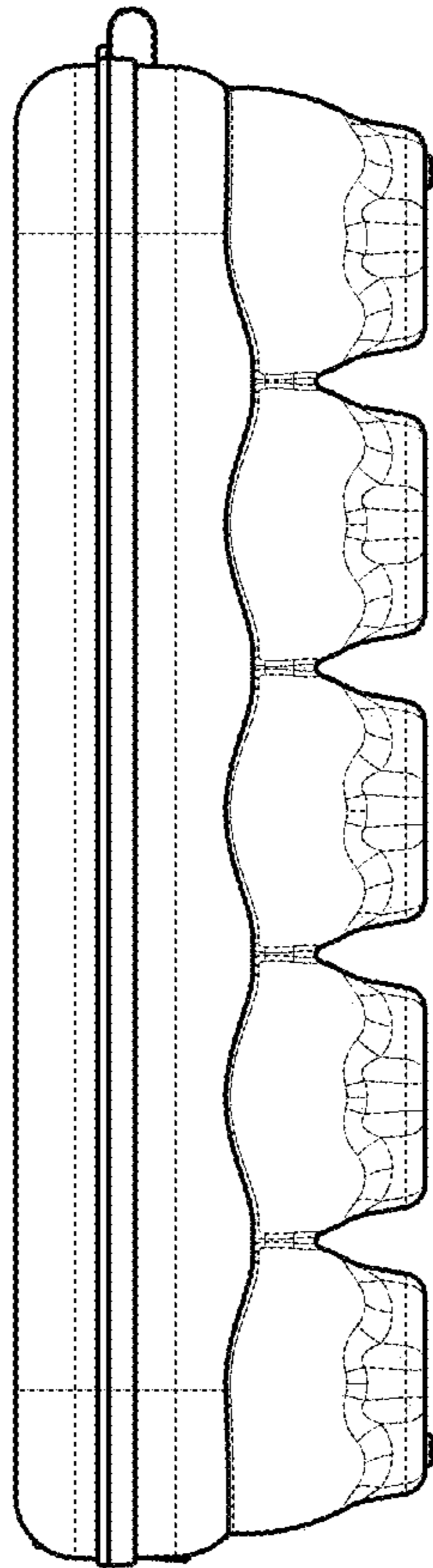


Fig. 2

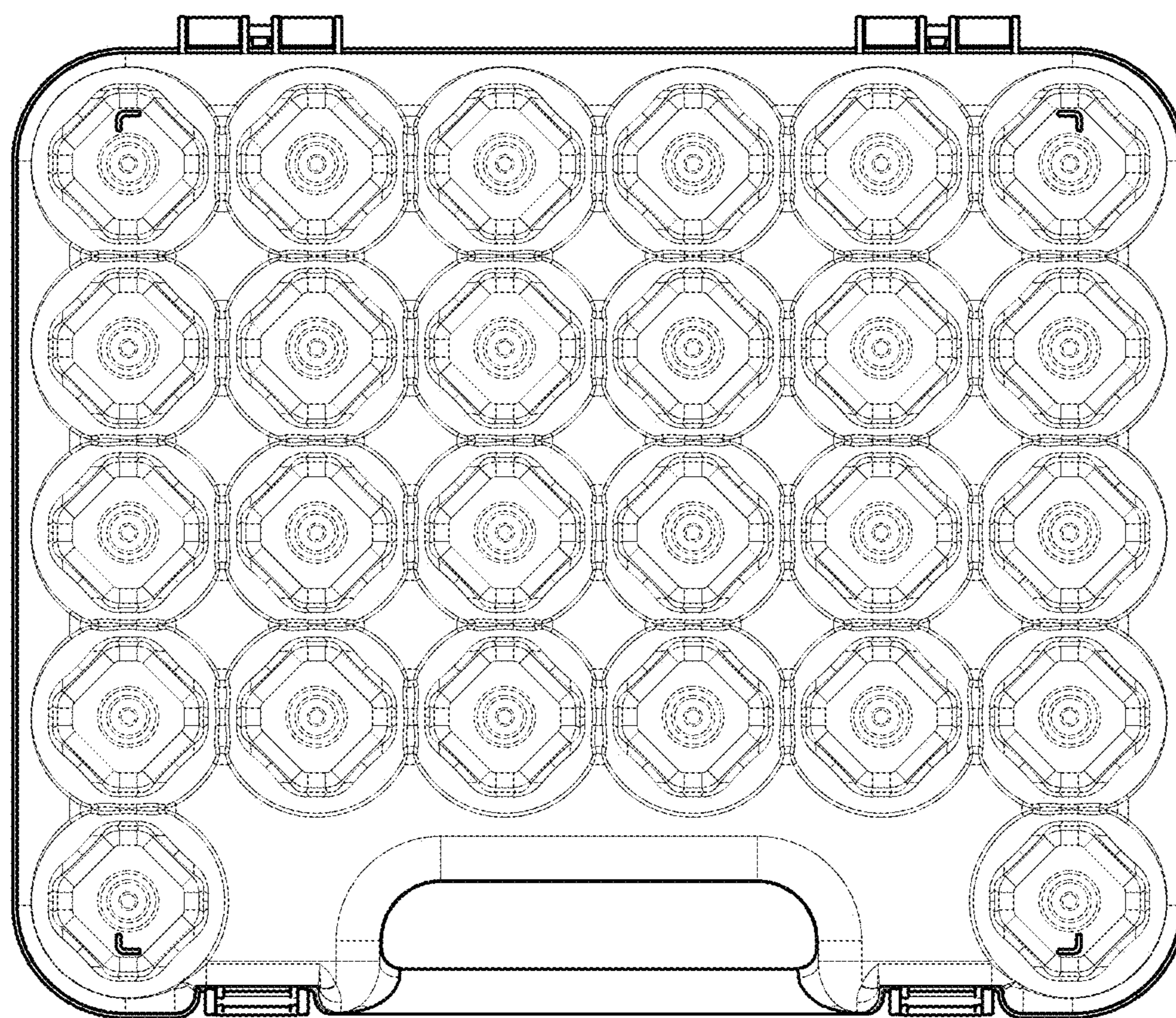


Fig. 3

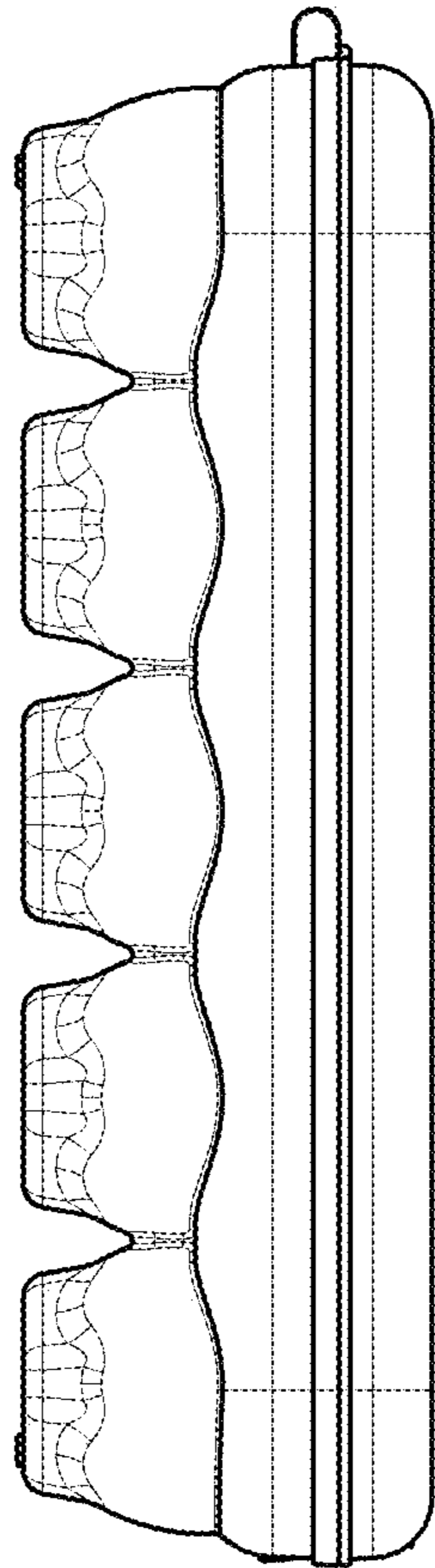


Fig. 4

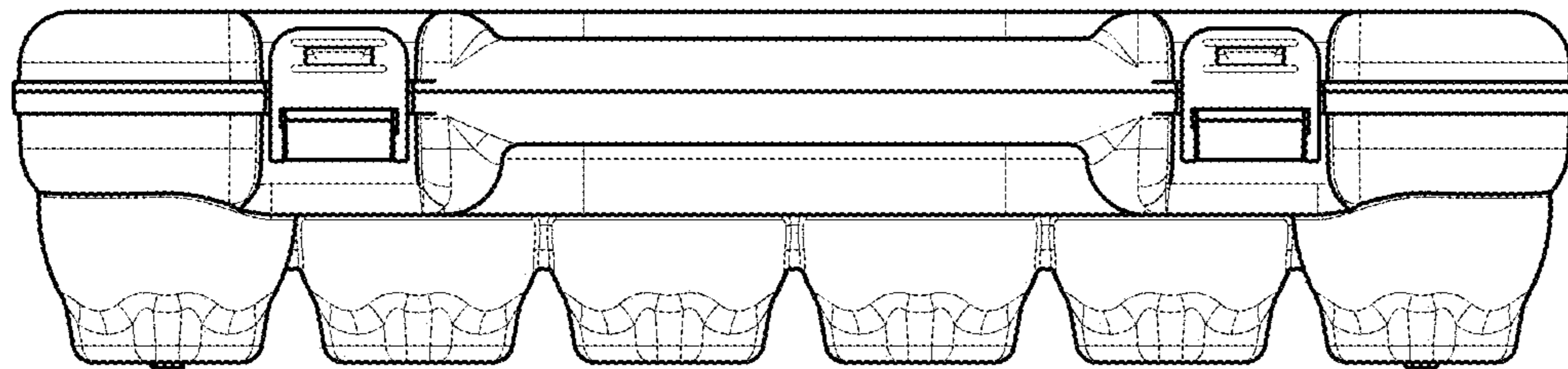


Fig. 5



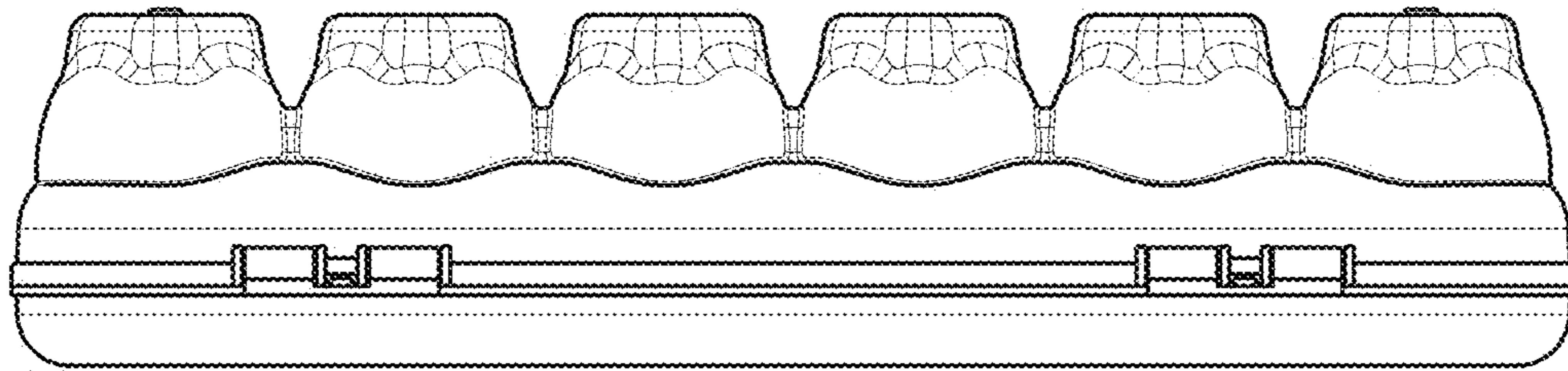


Fig. 6

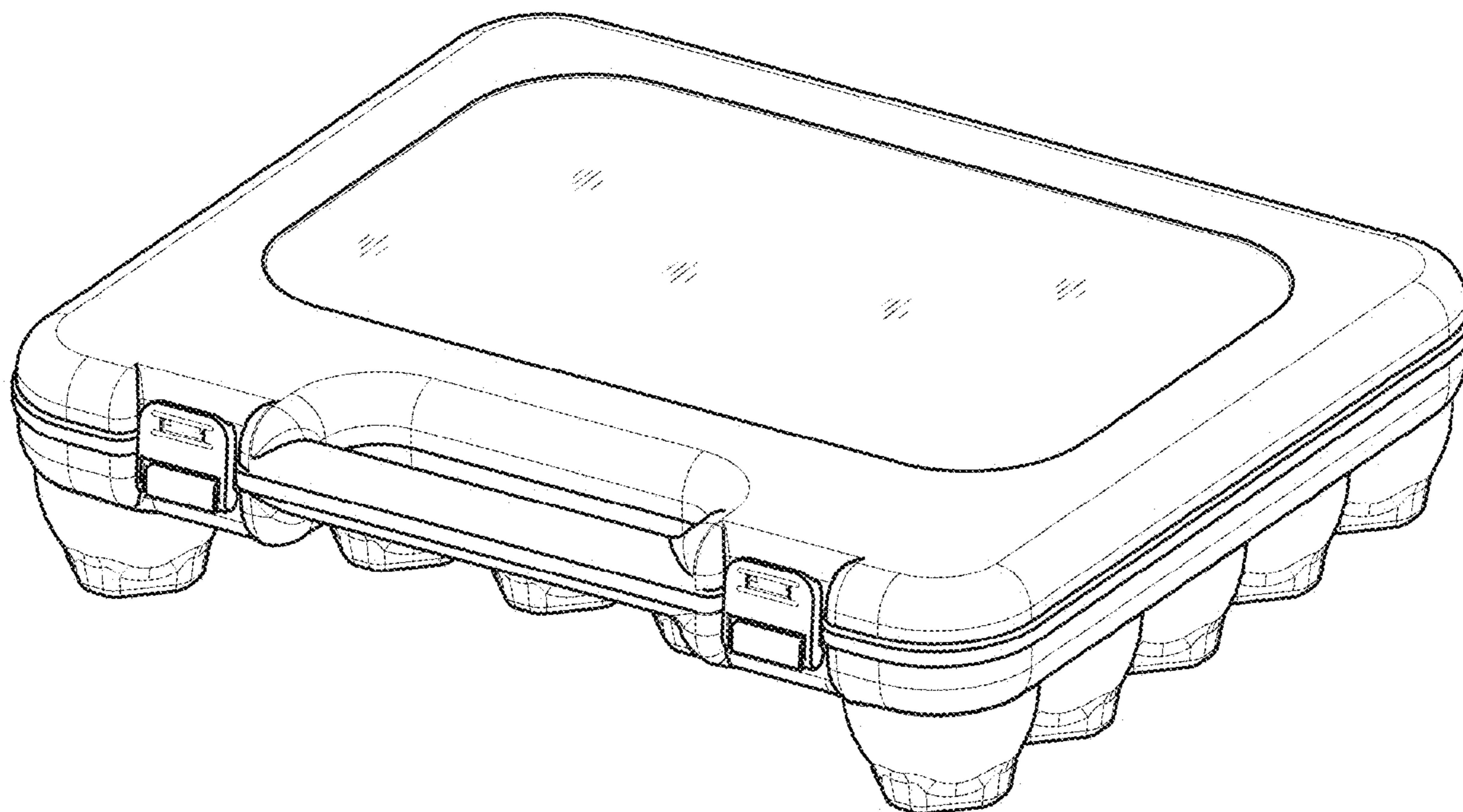


Fig. 7



Fig. 8

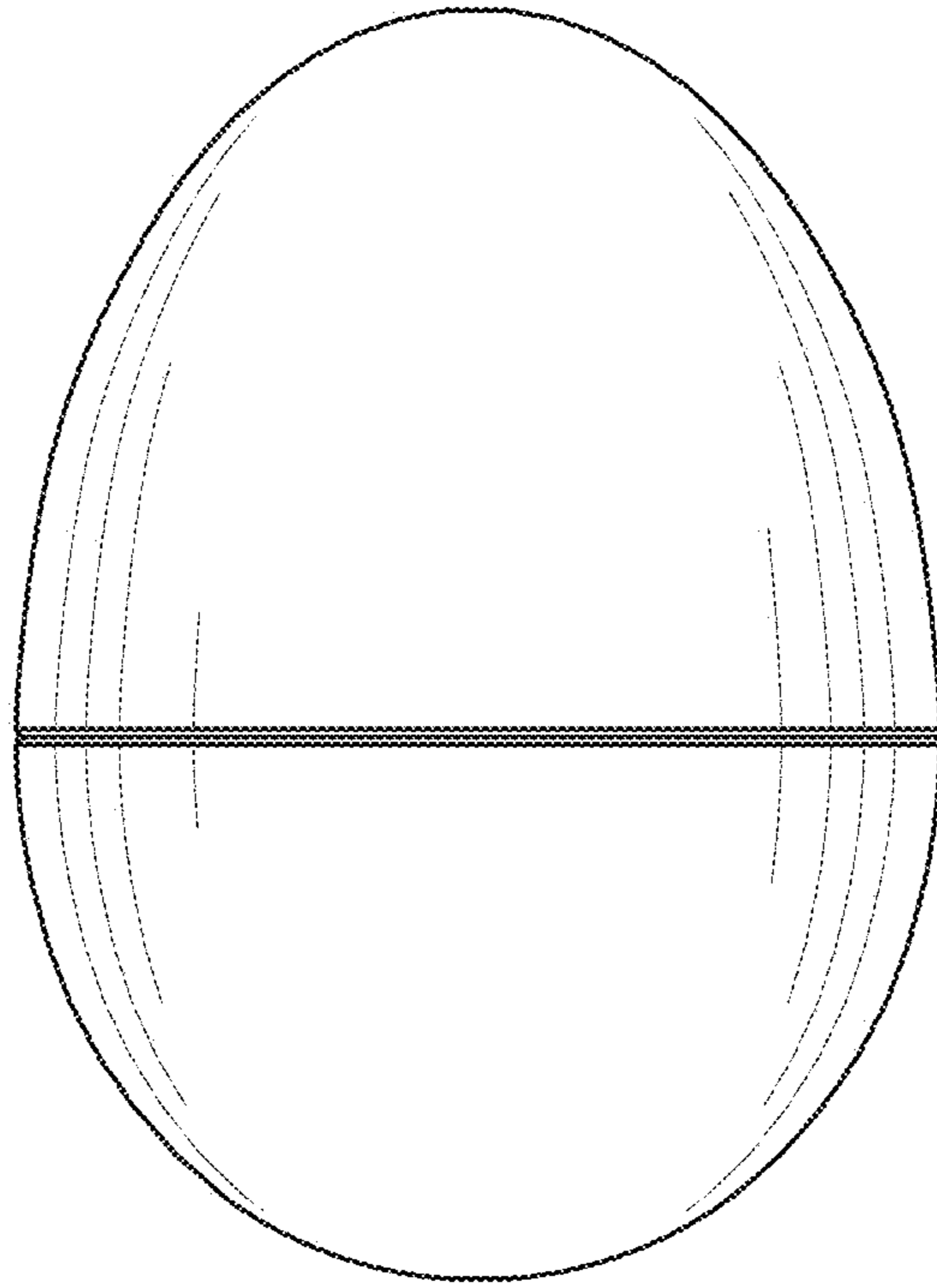


Fig. 9

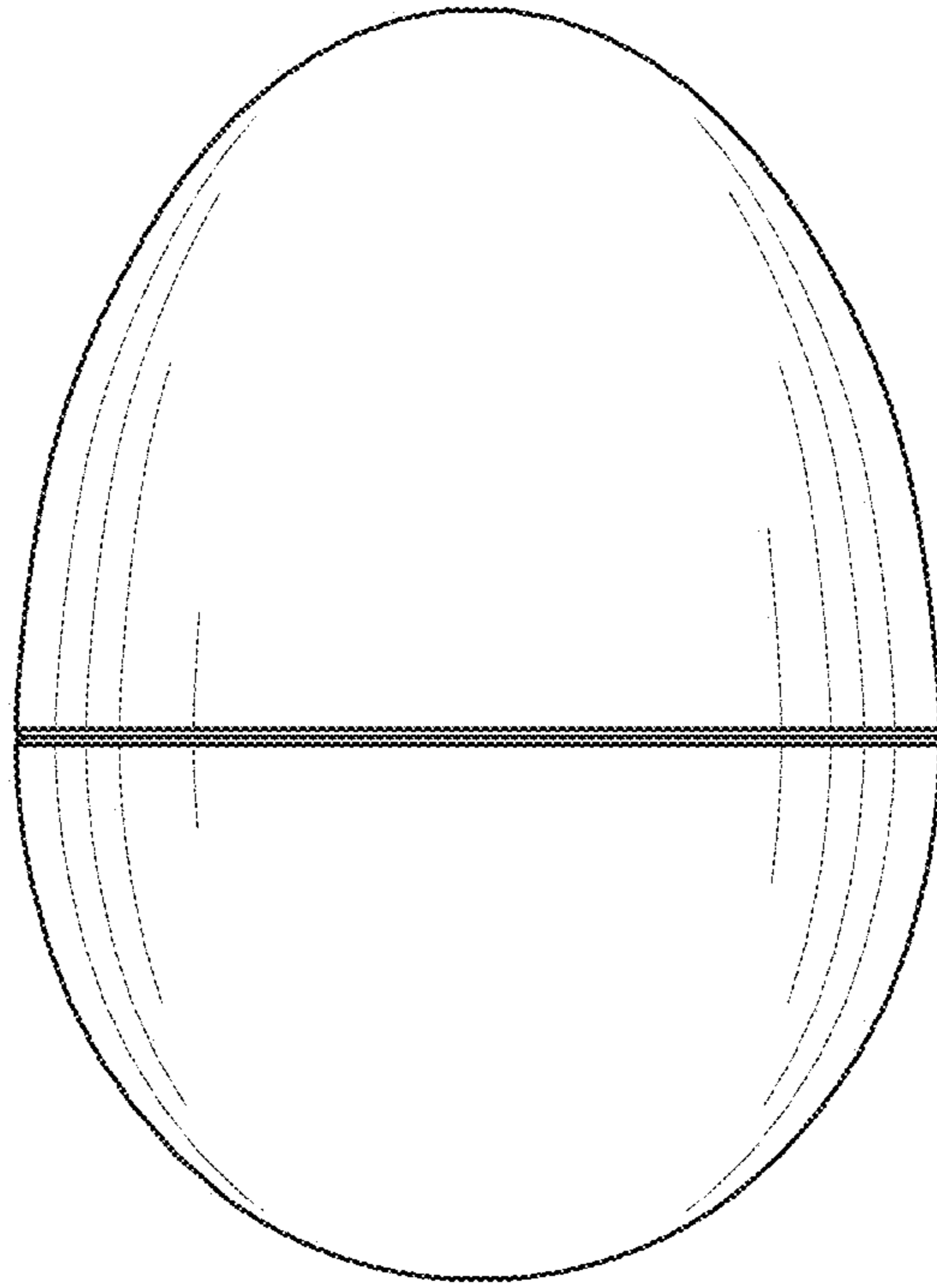


Fig. 10

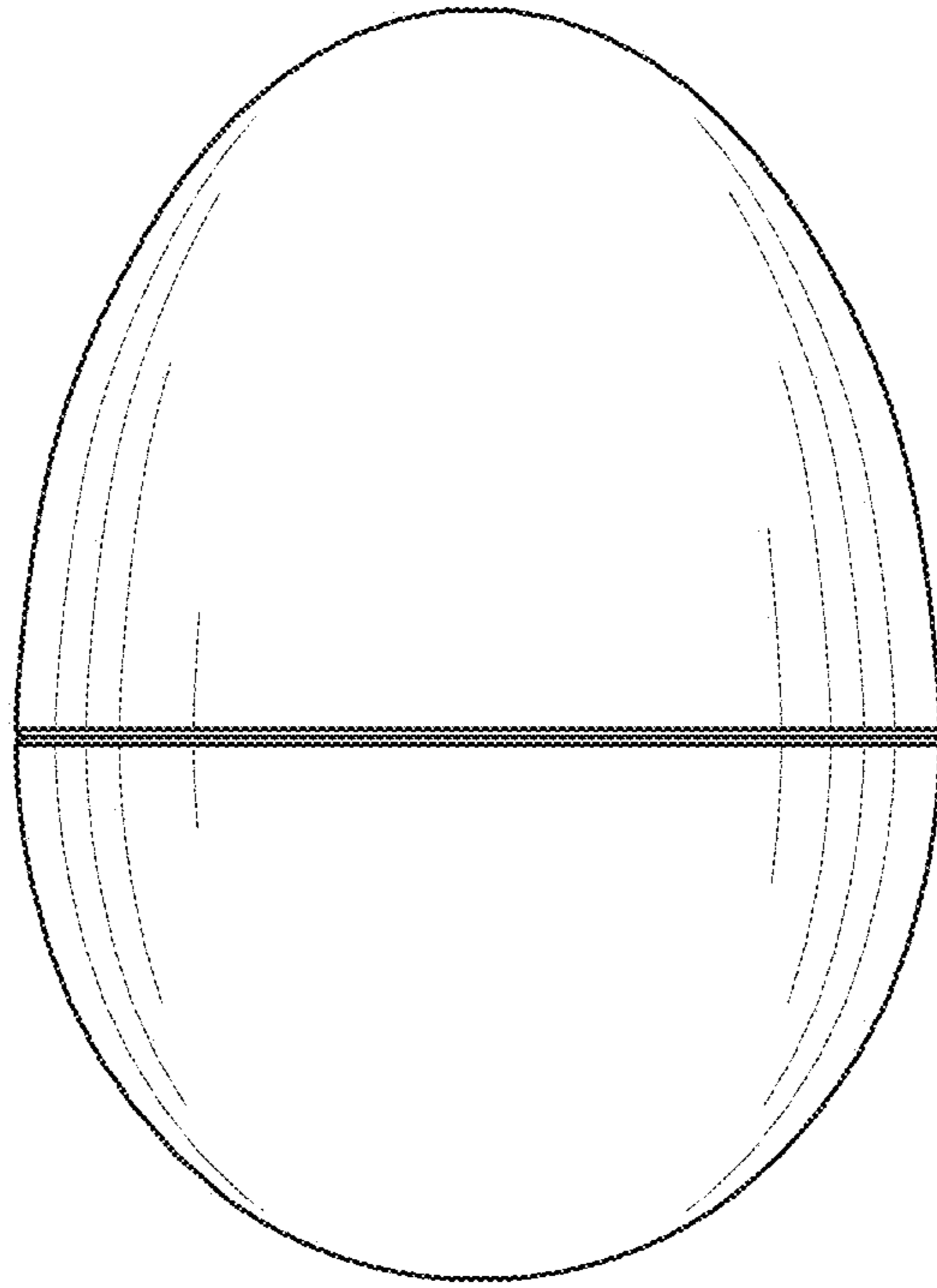


Fig. 11

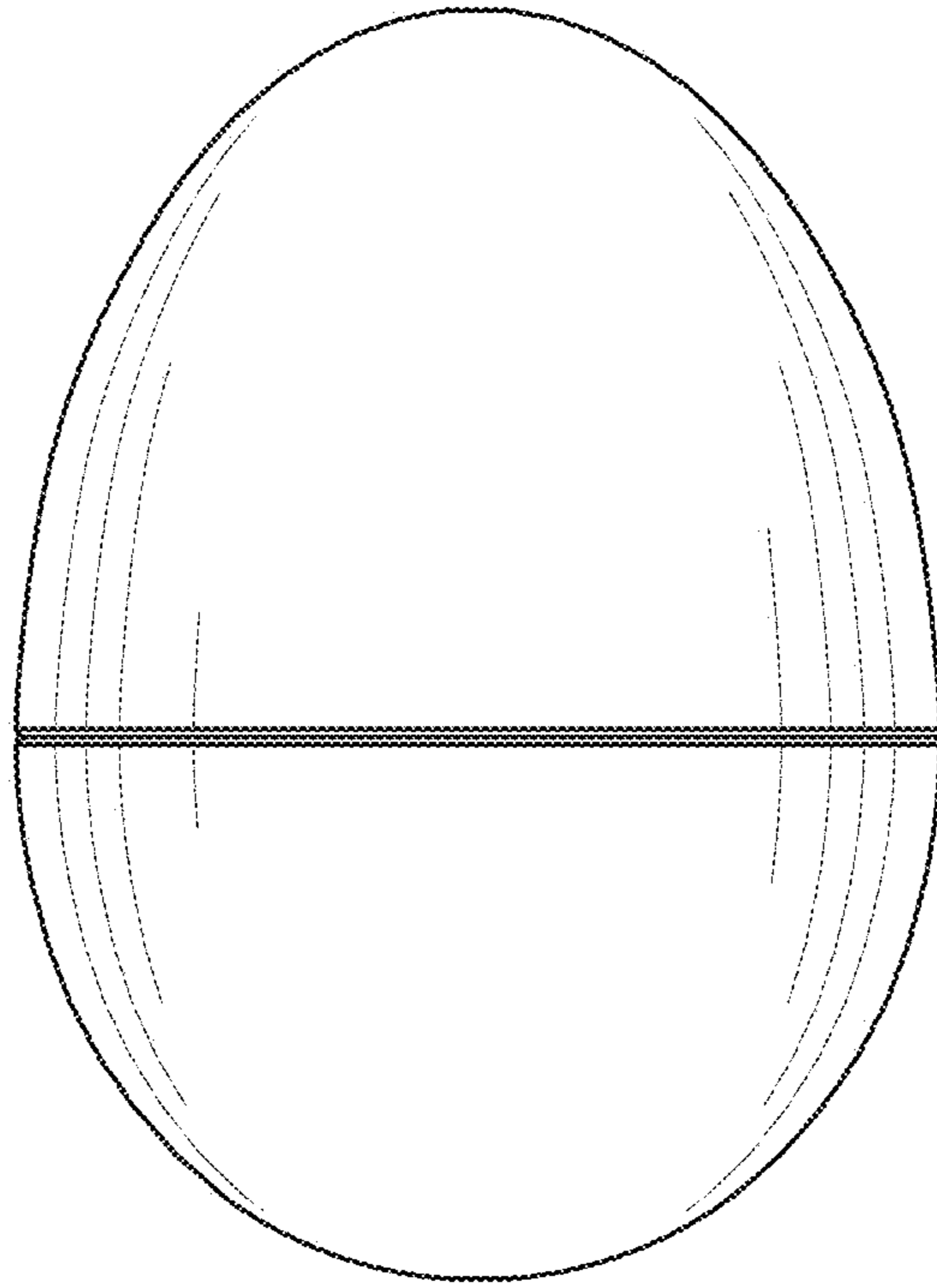


Fig. 12

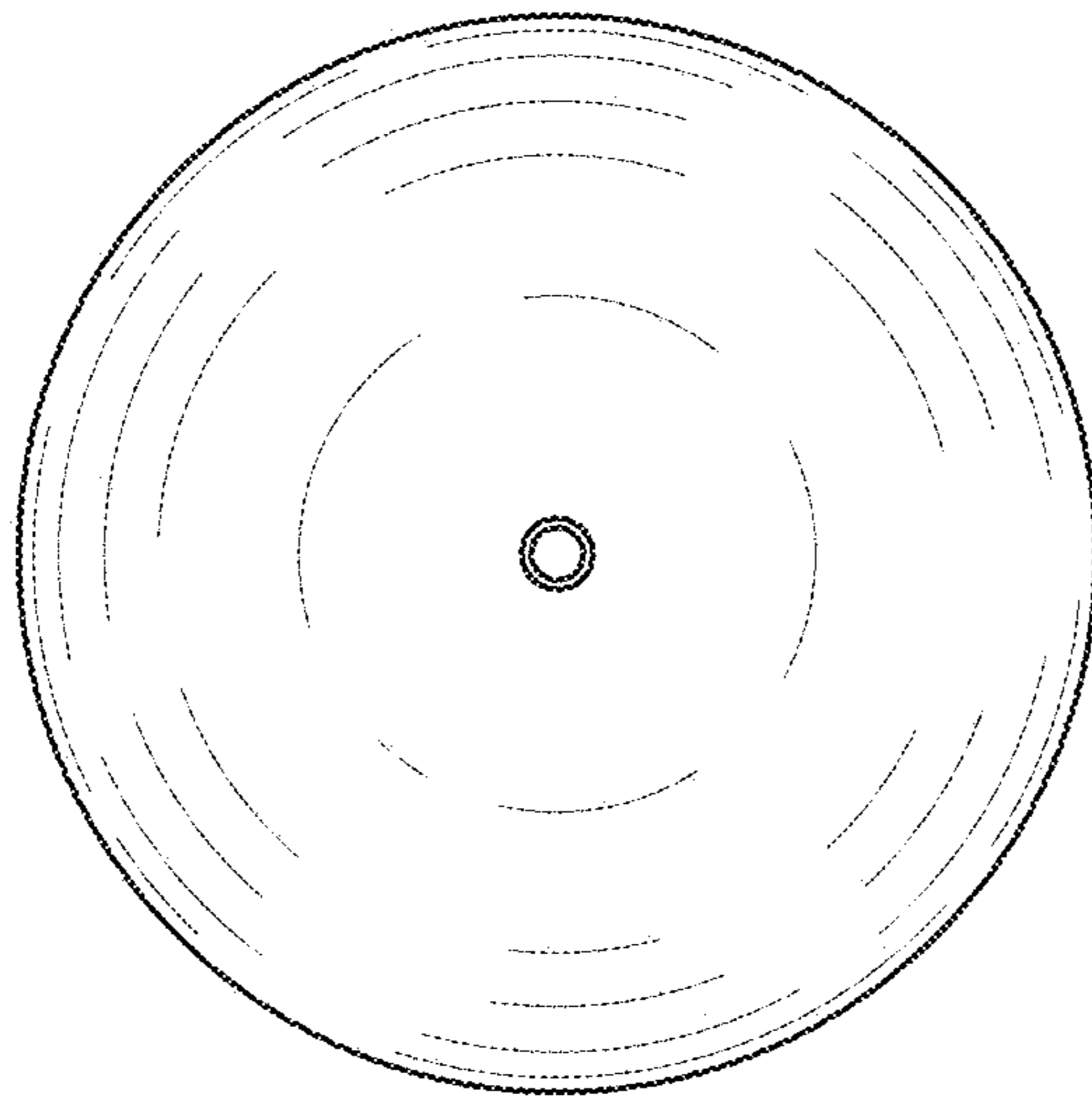


Fig. 13



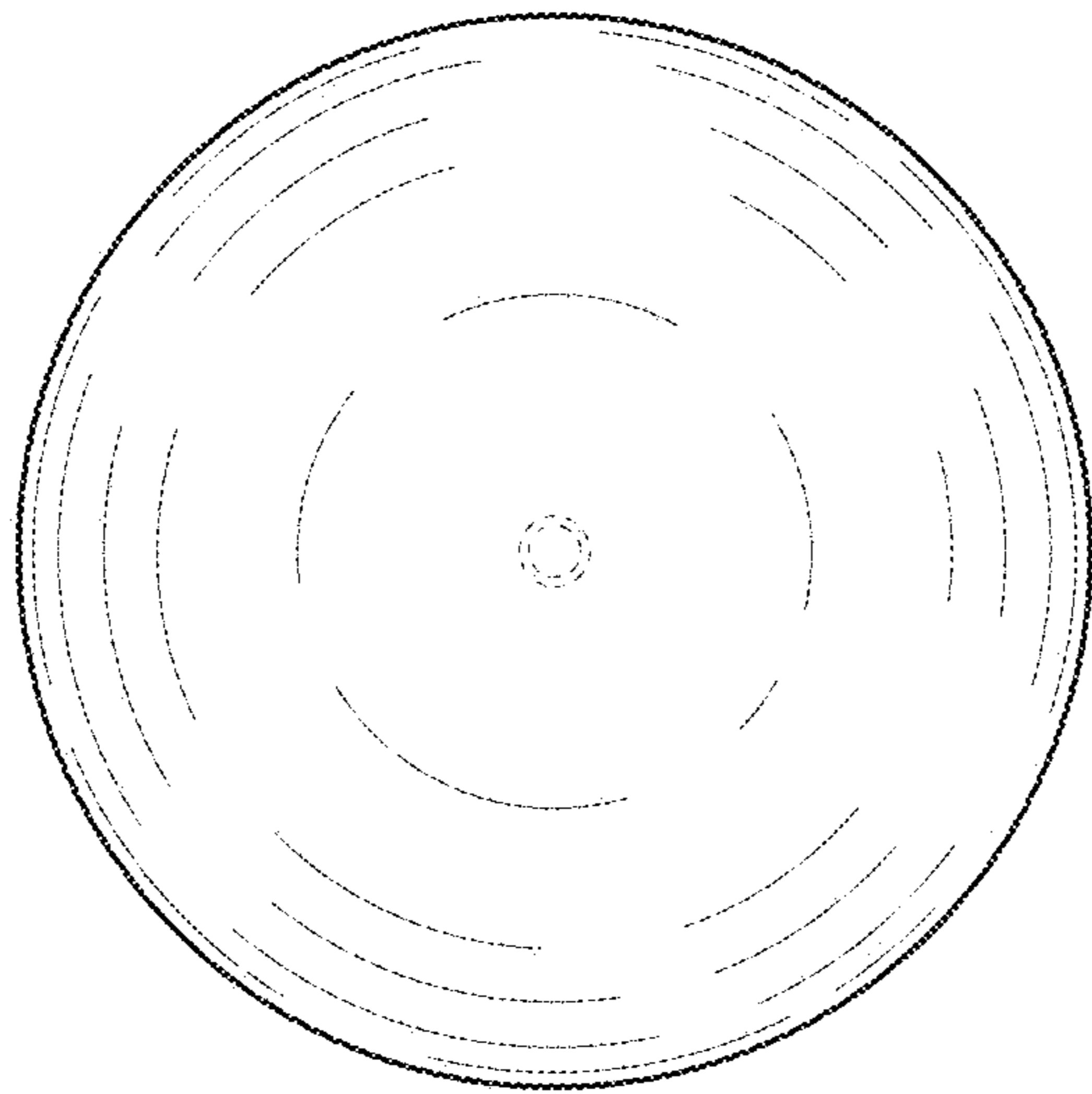


Fig. 14

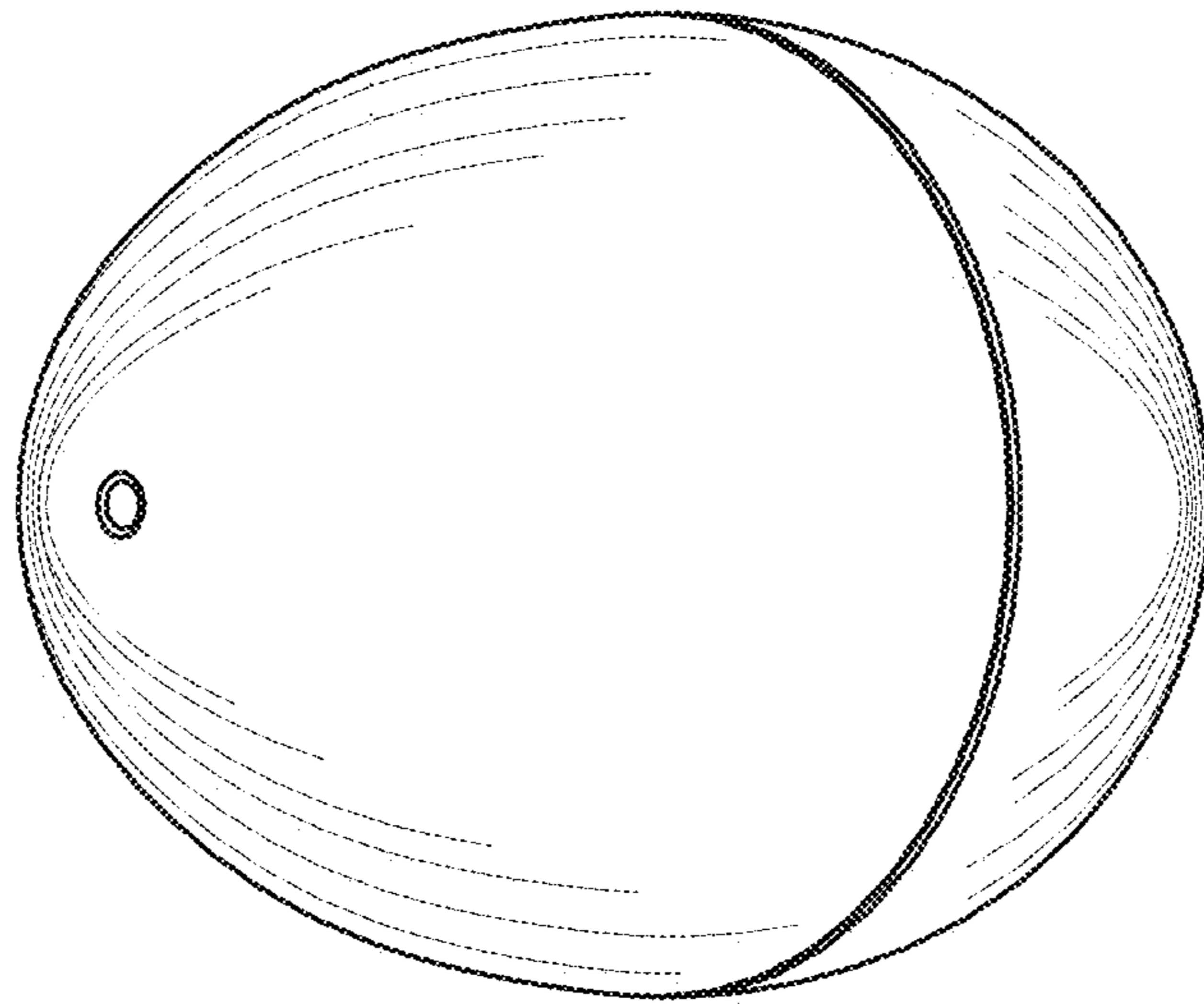


Fig. 15

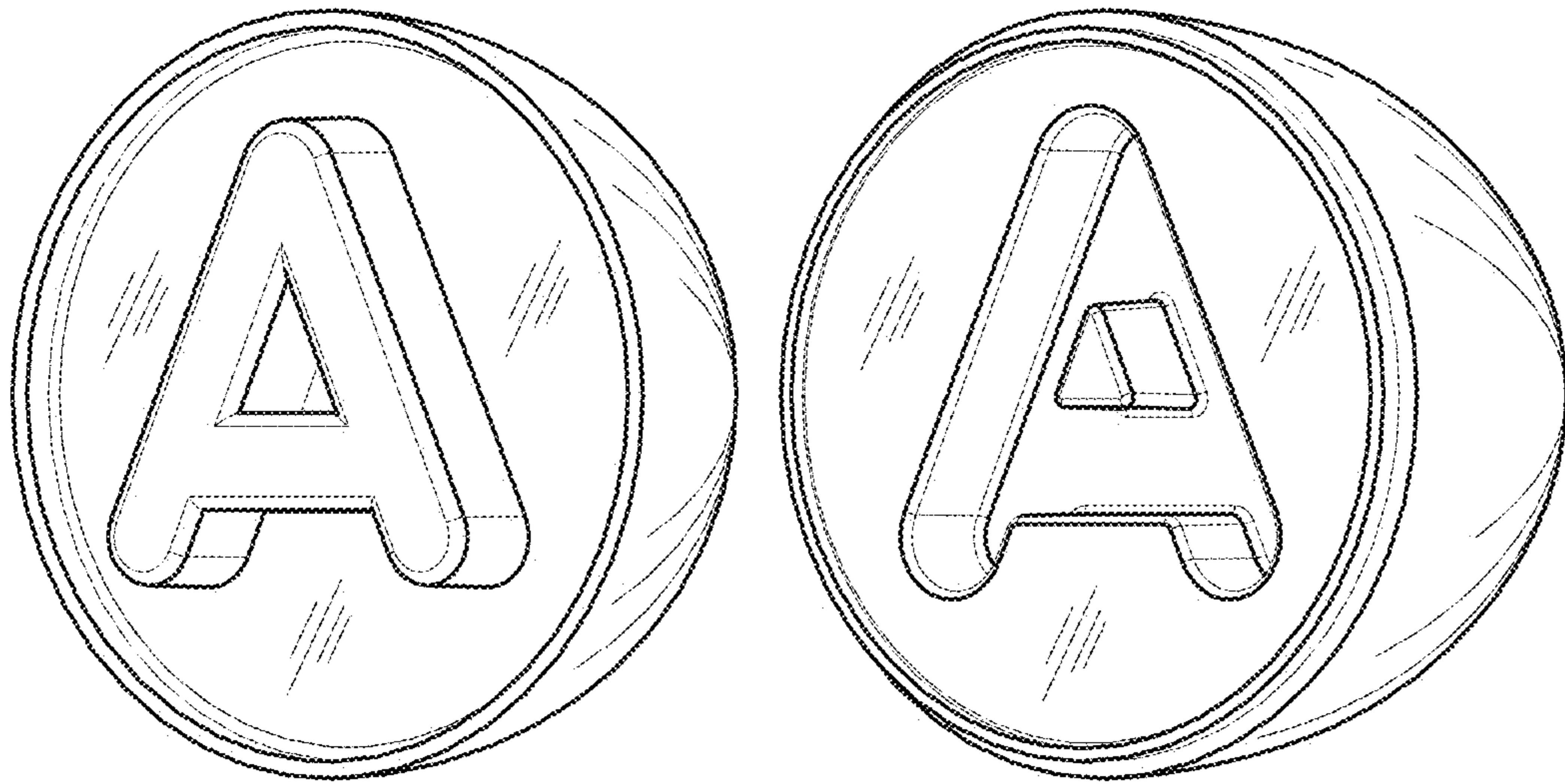


Fig. 16

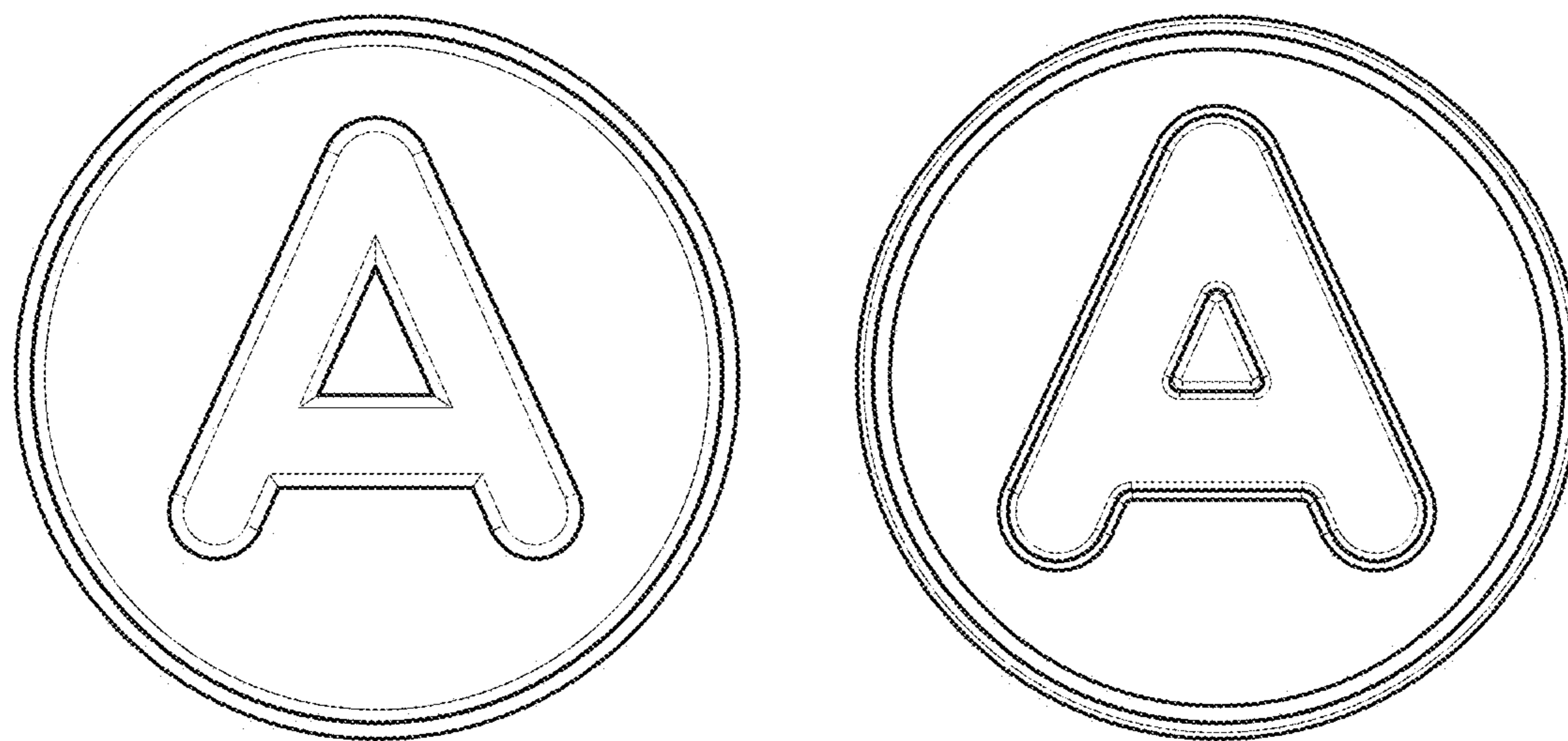


Fig. 17

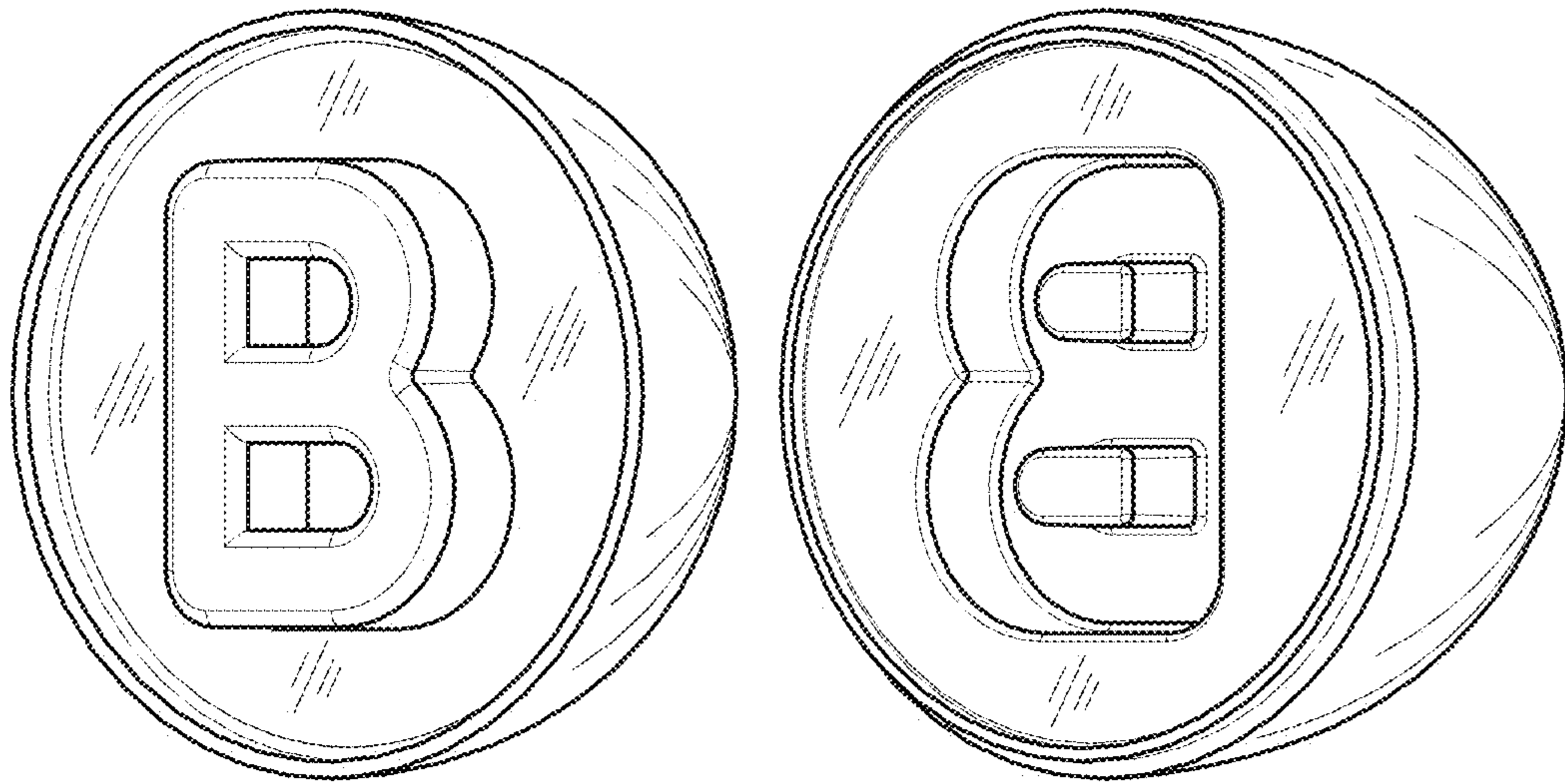


Fig. 18

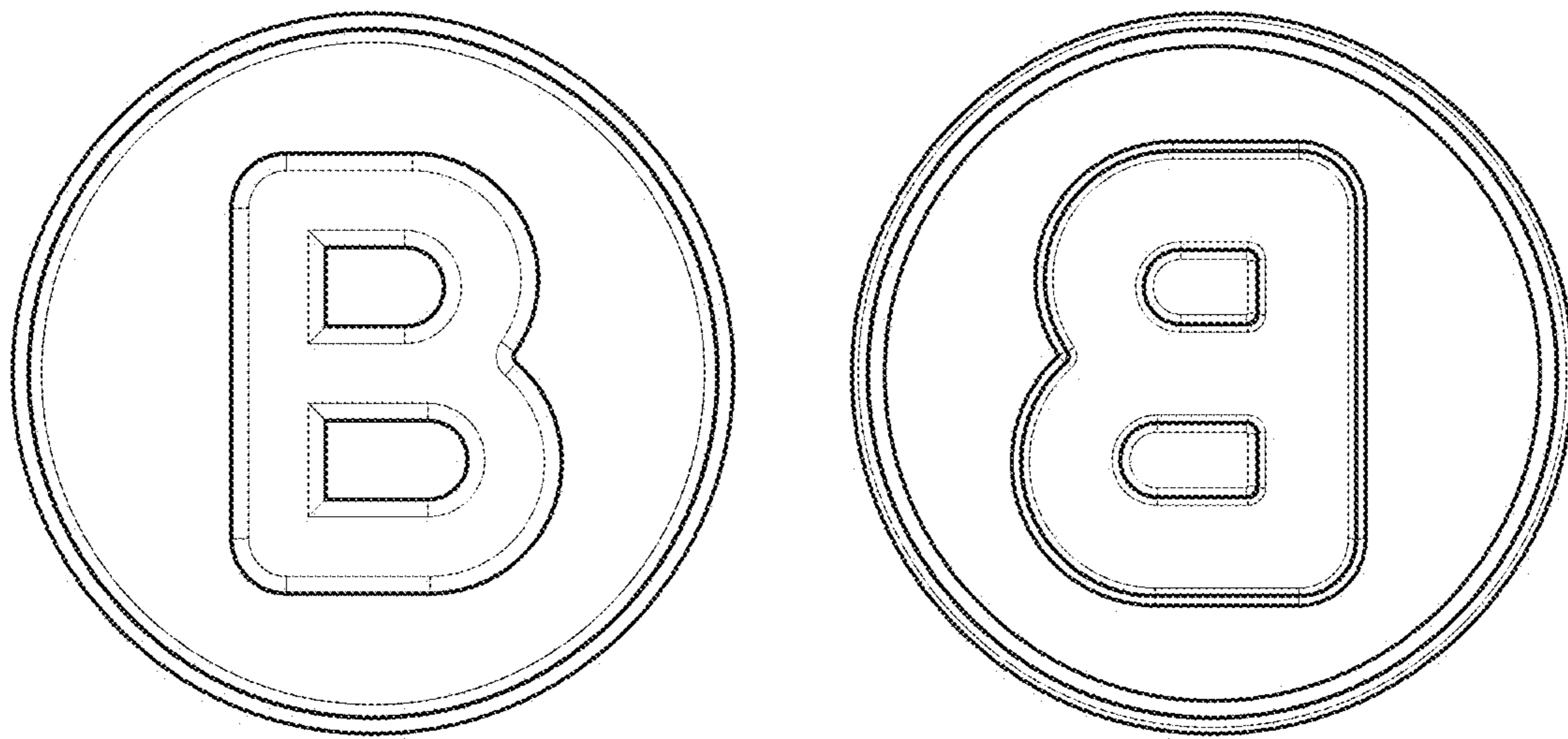


Fig. 19

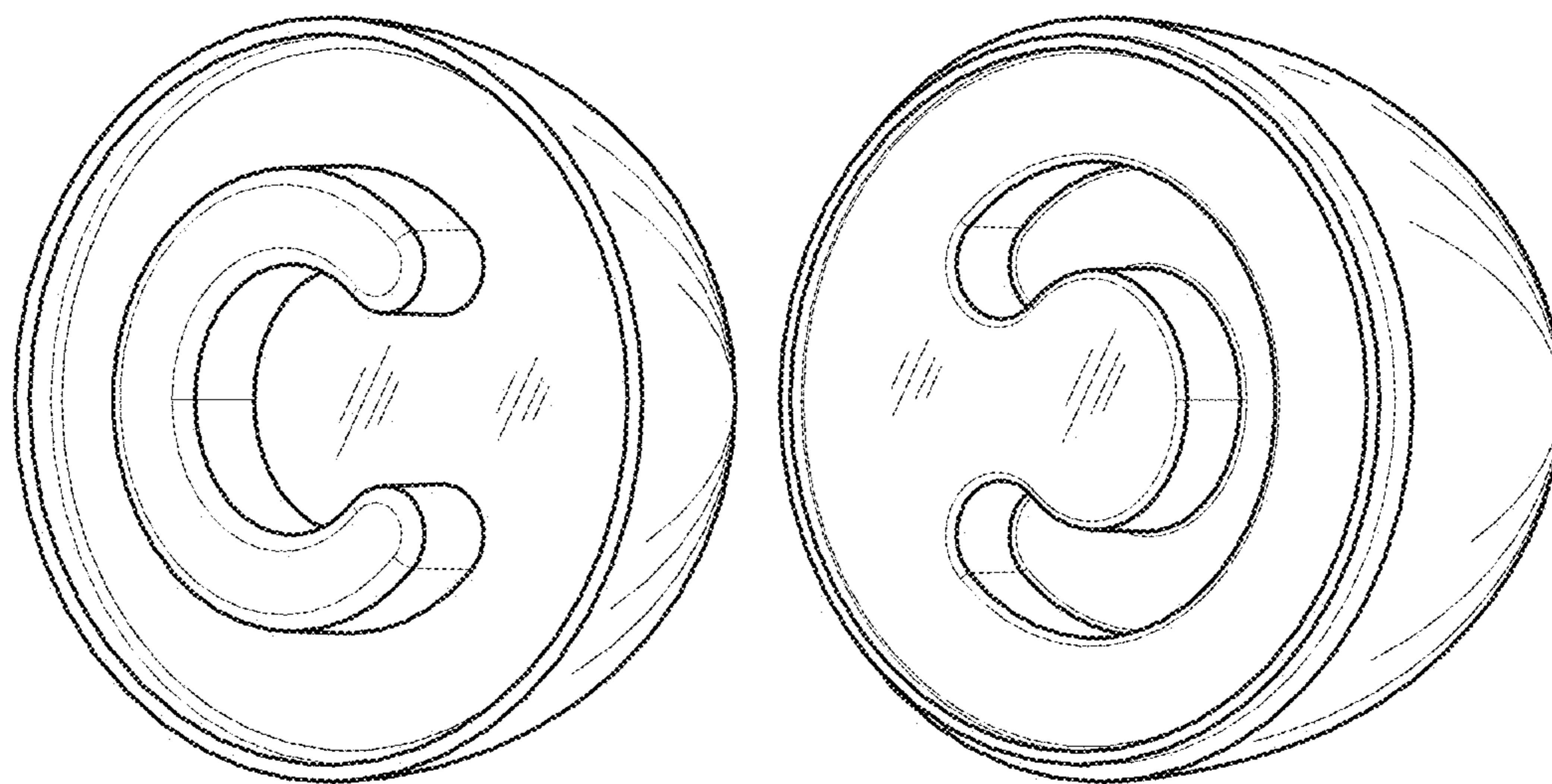


Fig. 20

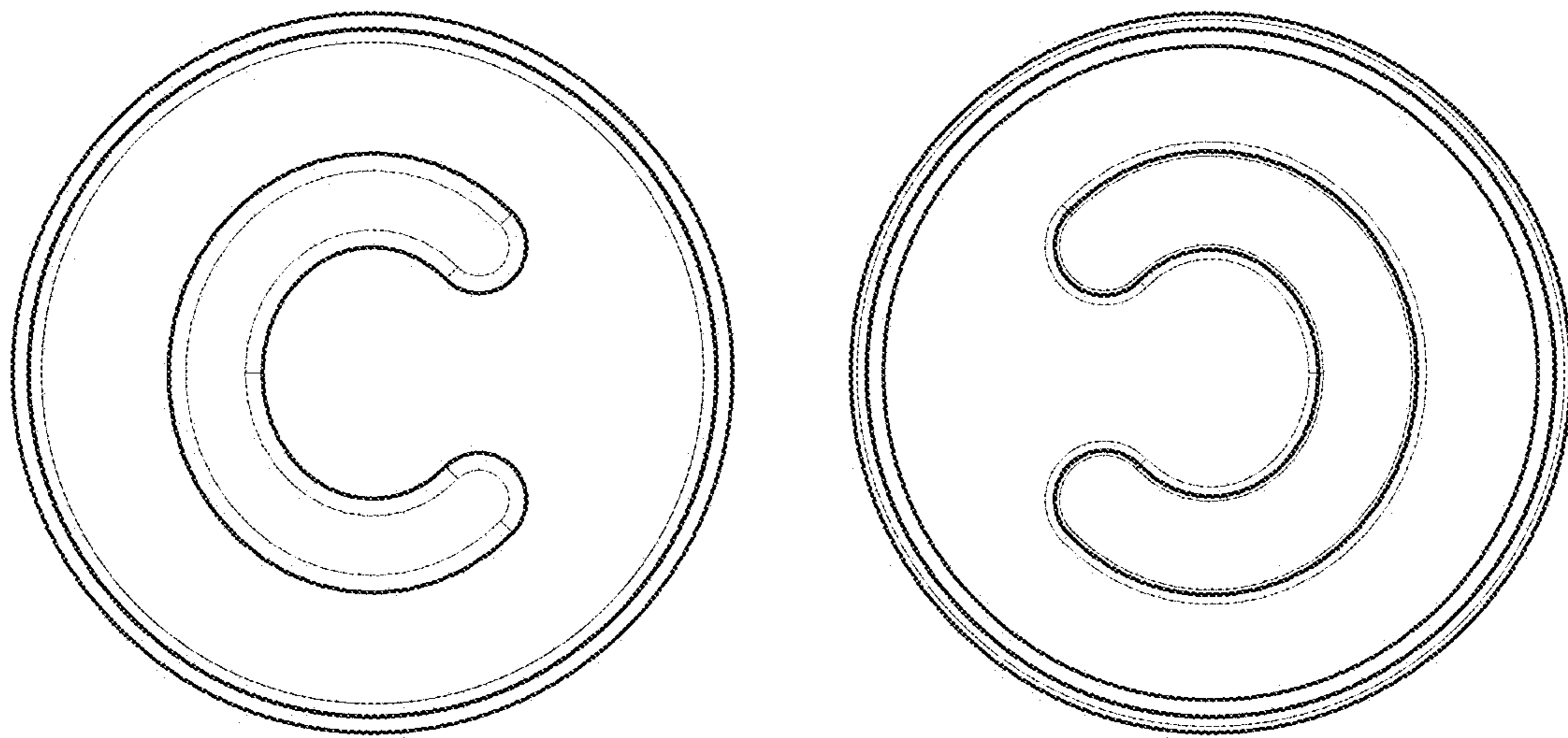


Fig. 21



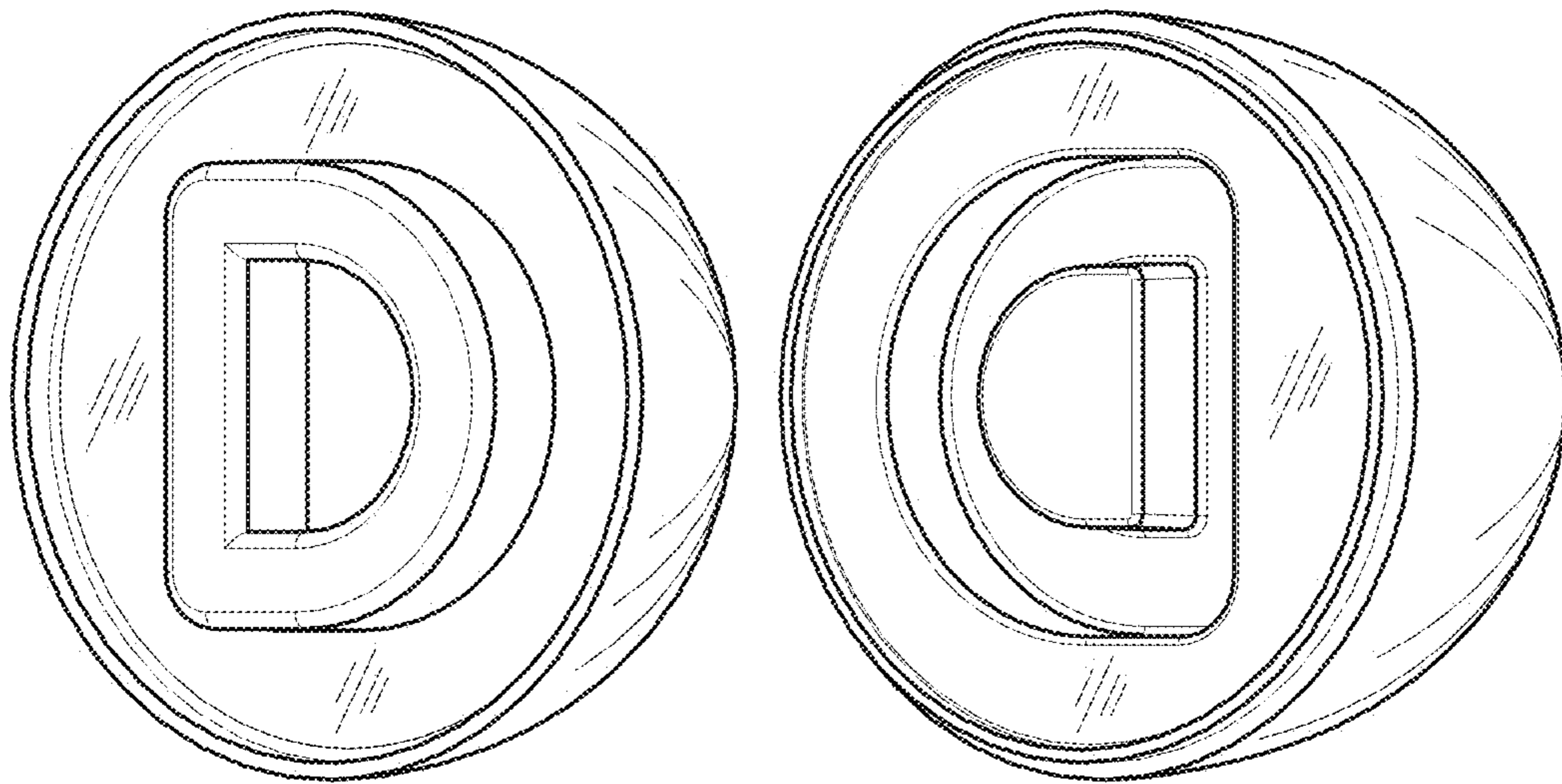


Fig. 22

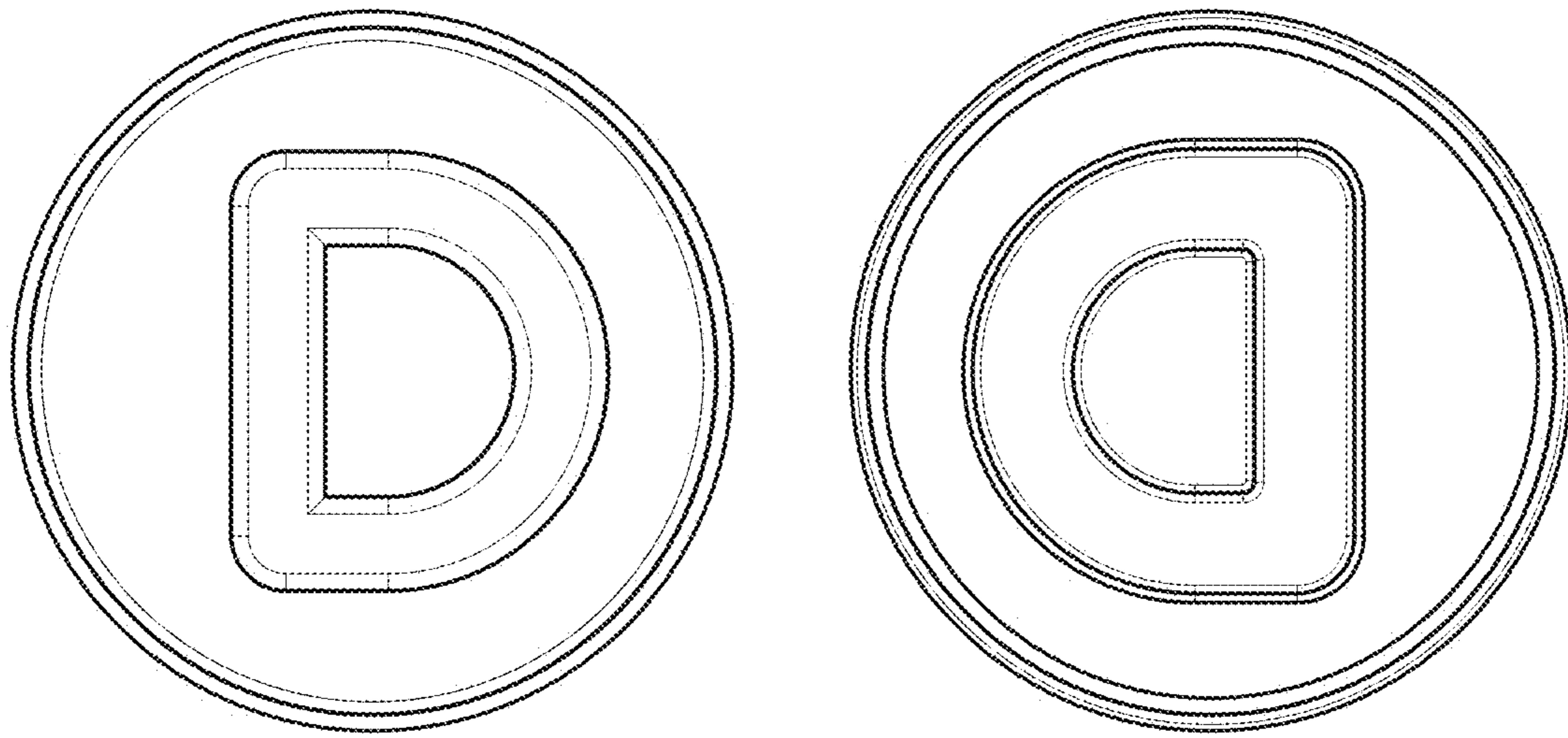


Fig. 23

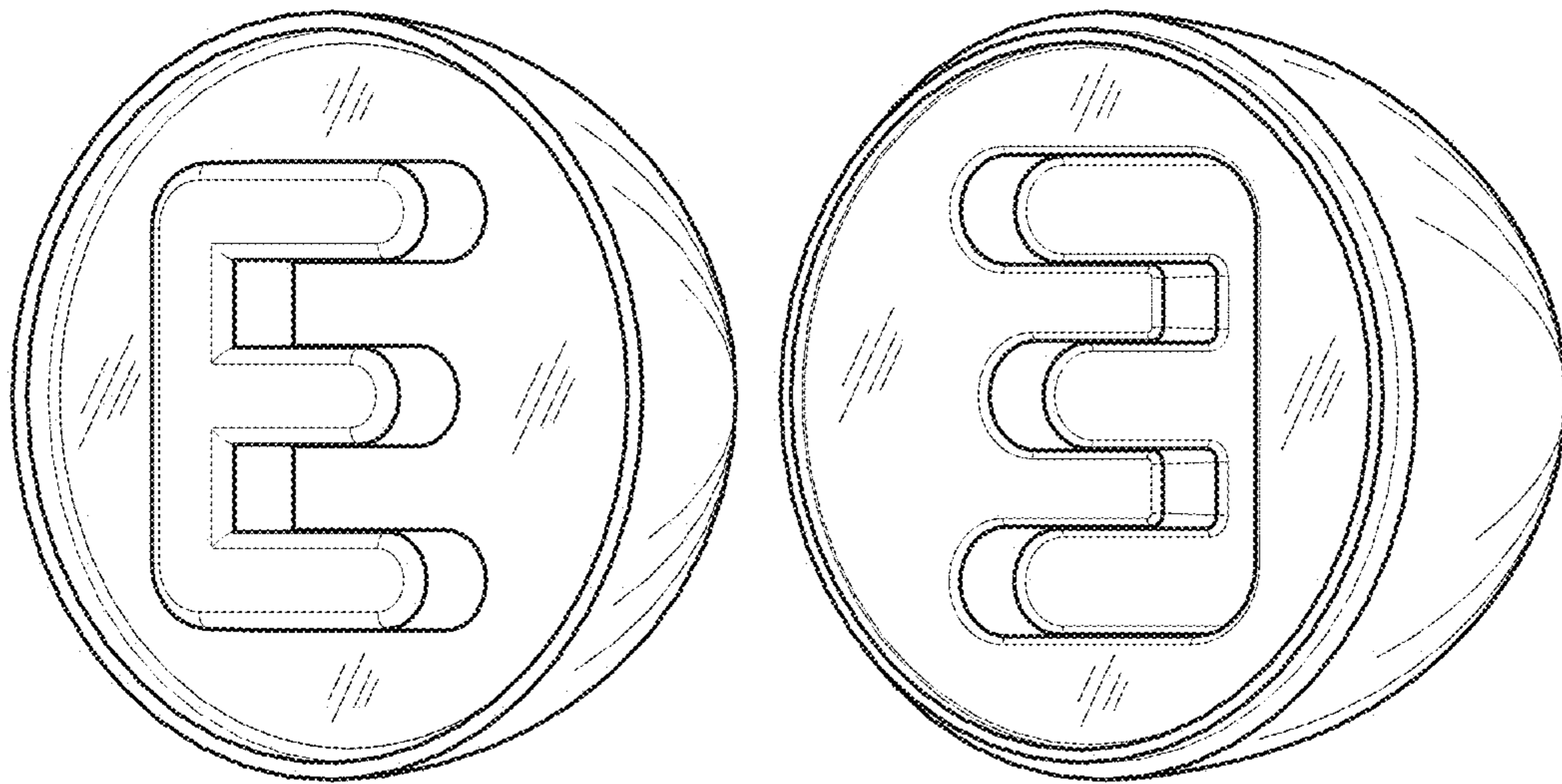


Fig. 24

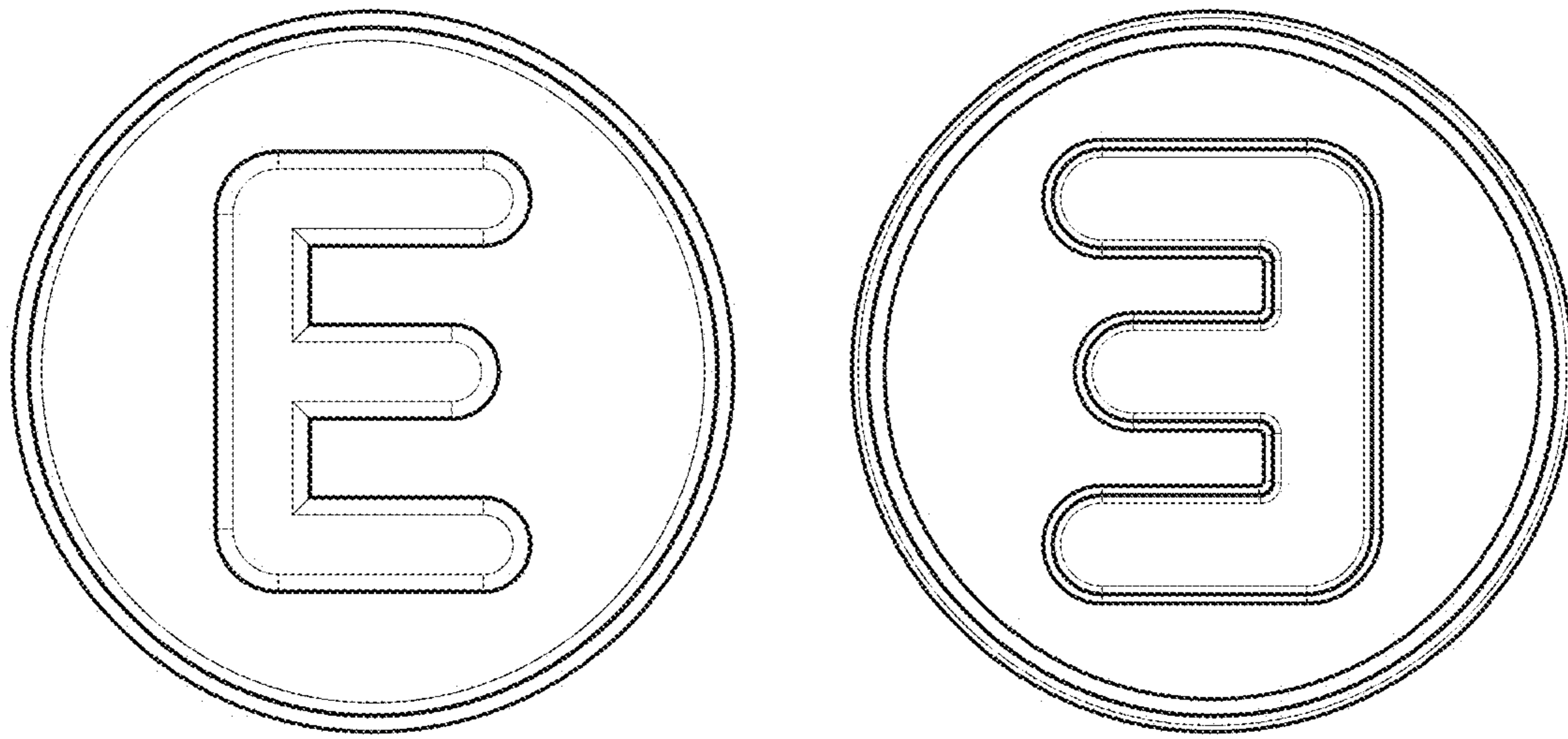


Fig. 25

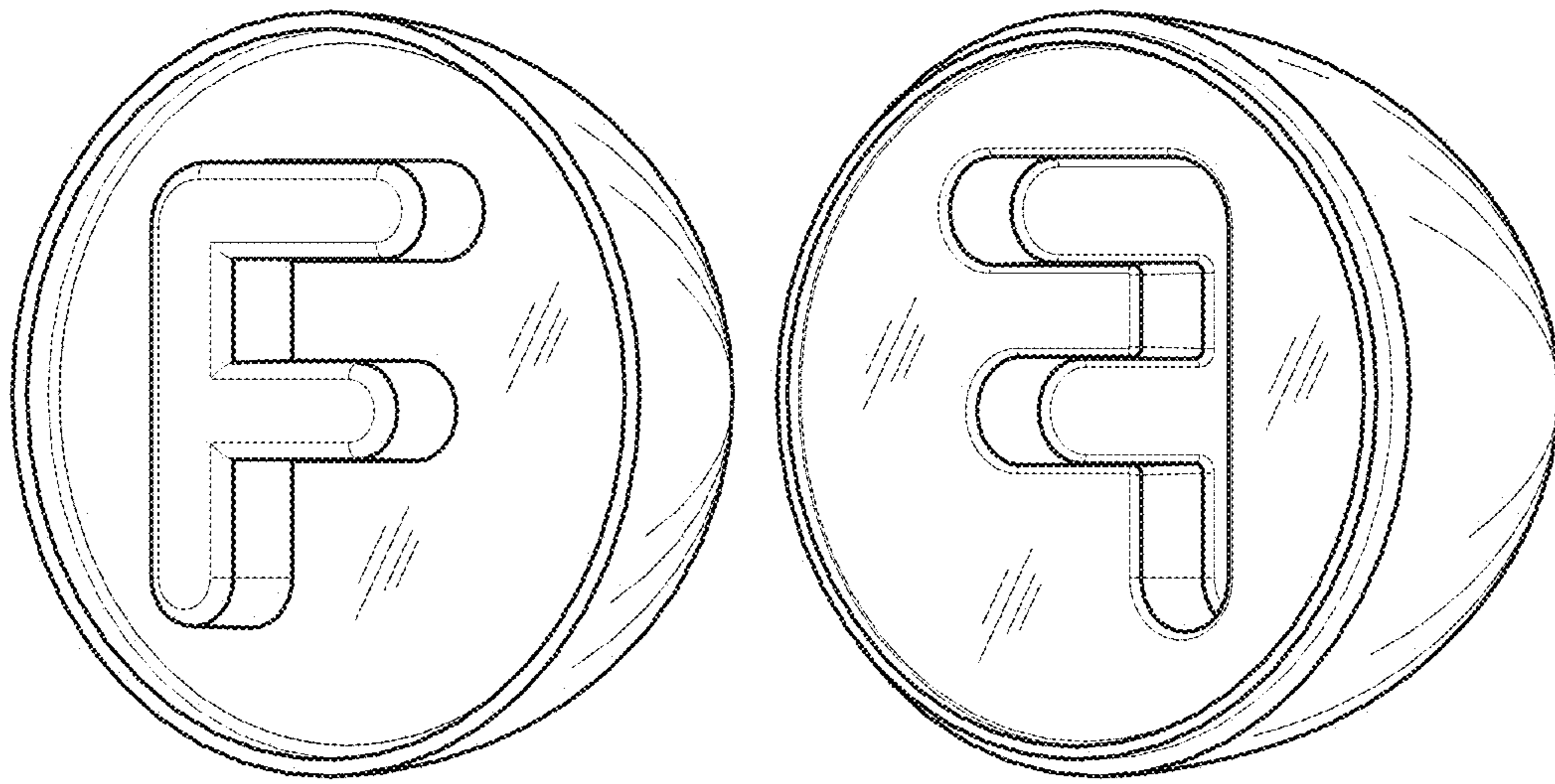


Fig. 26

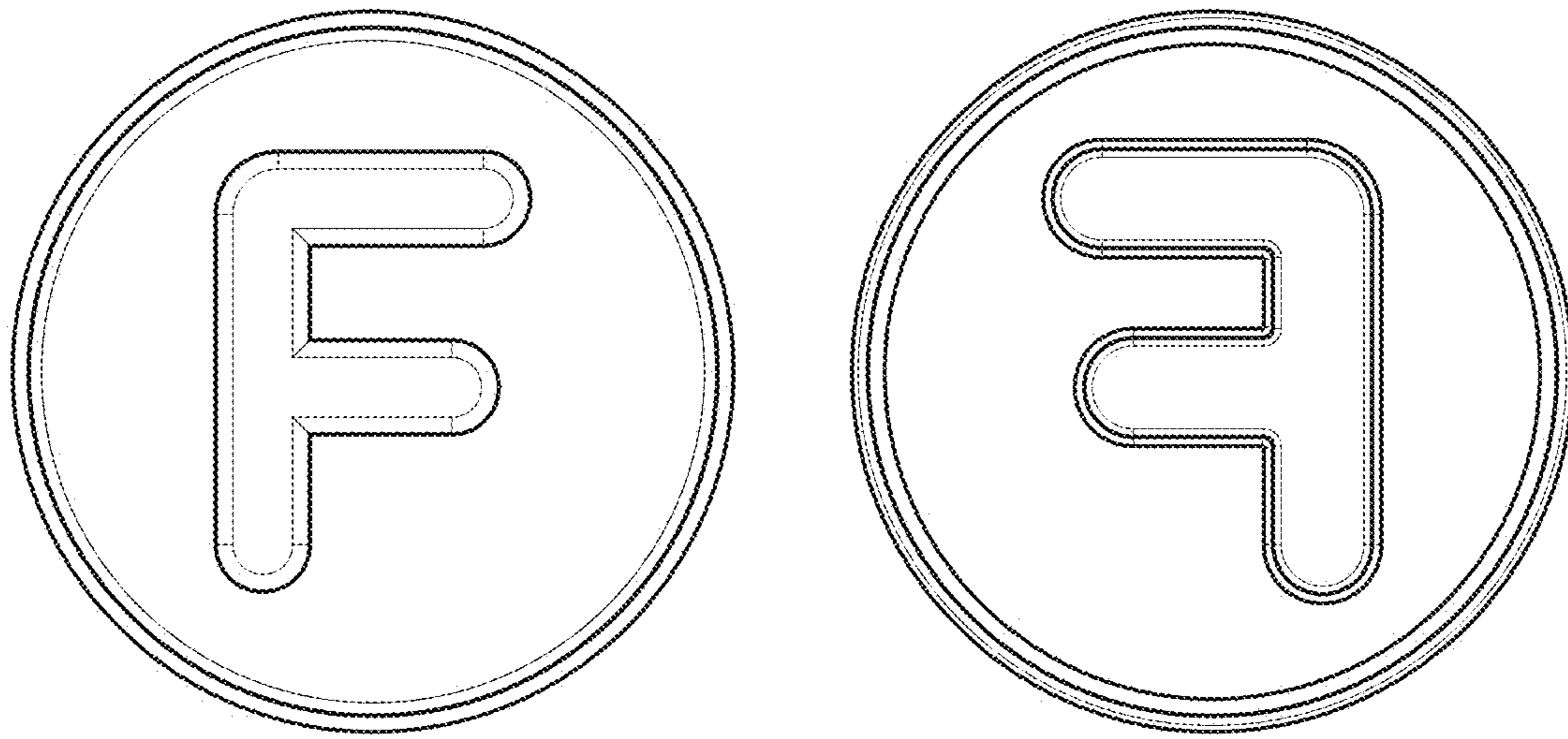


Fig. 27

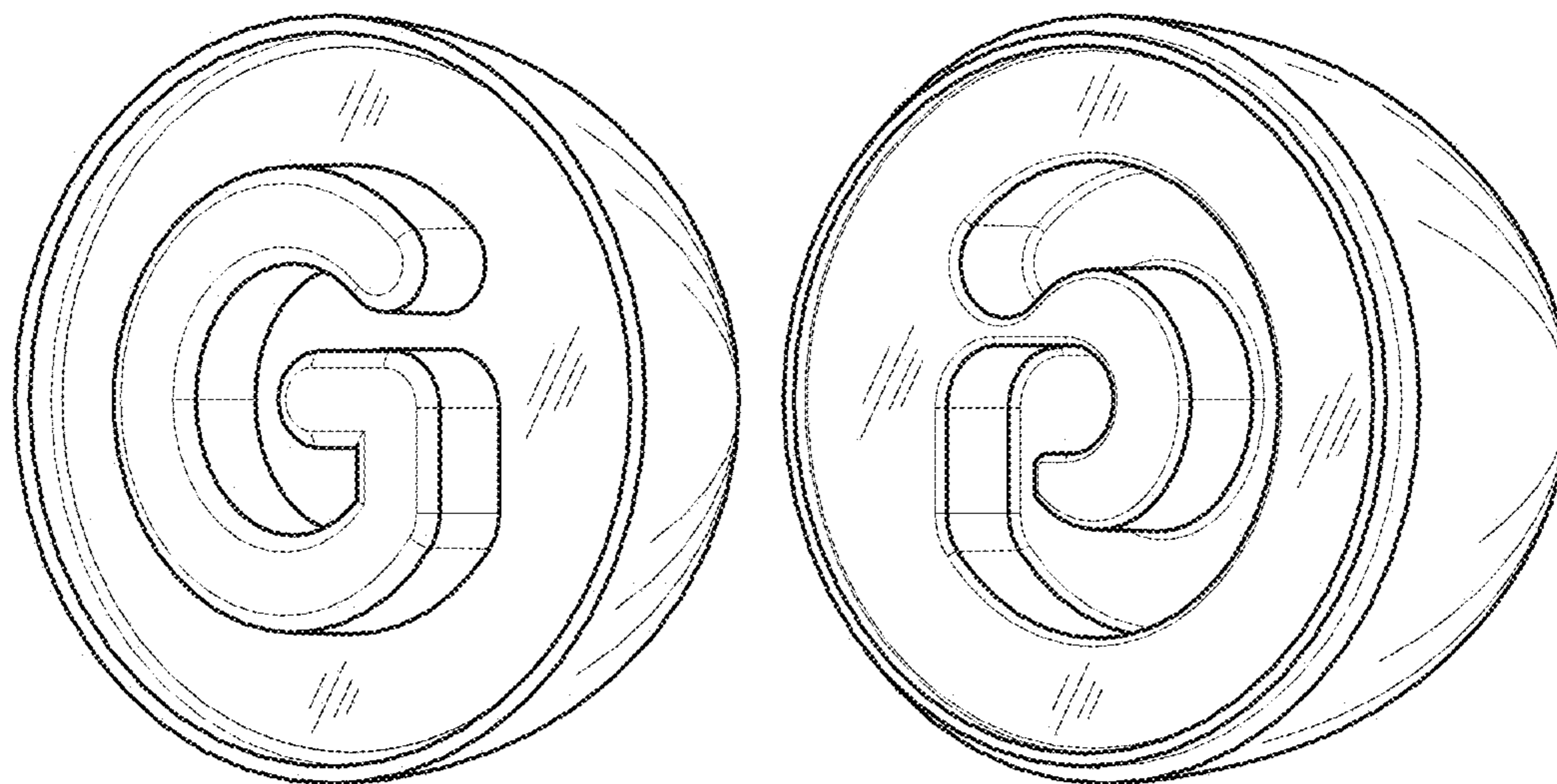


Fig. 28

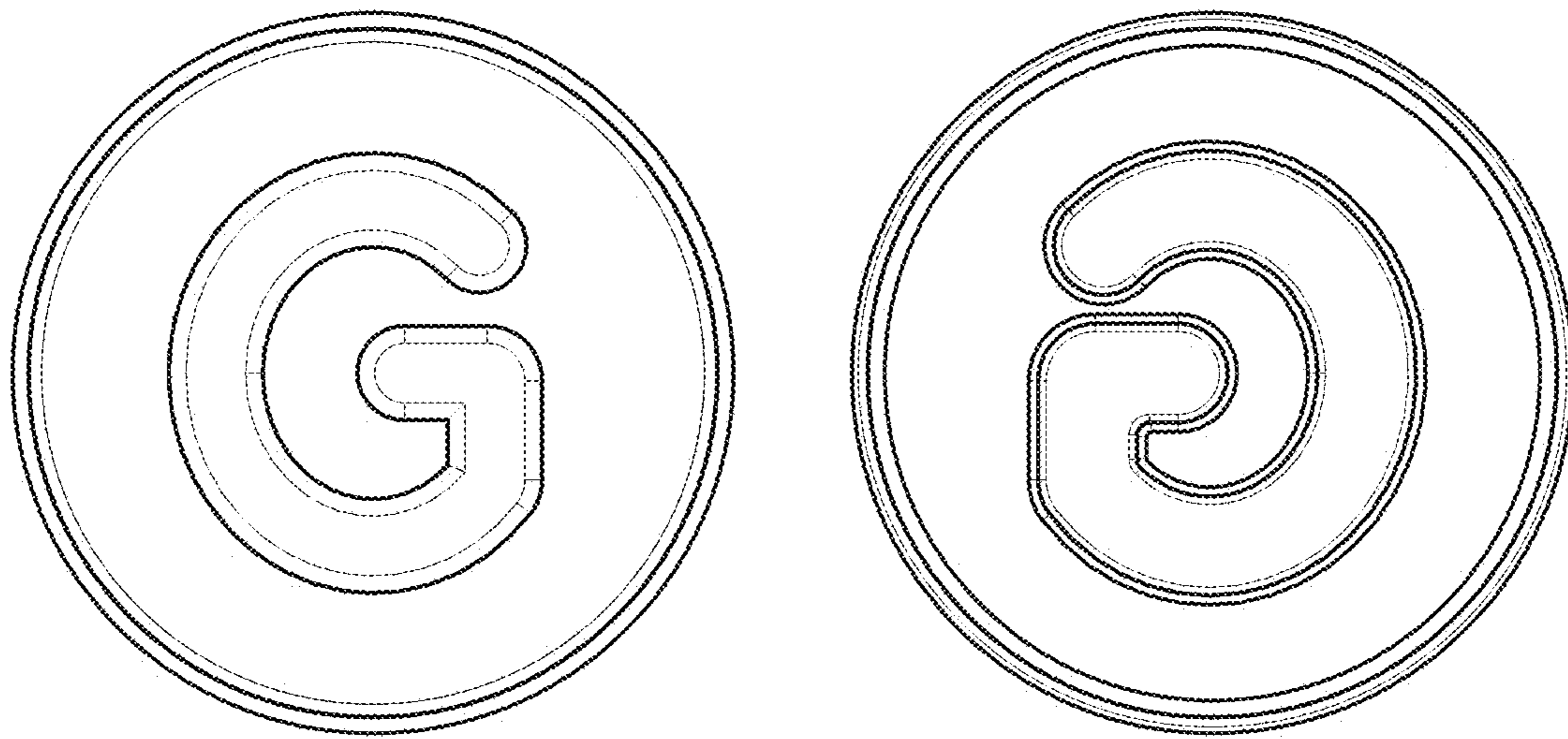


Fig. 29



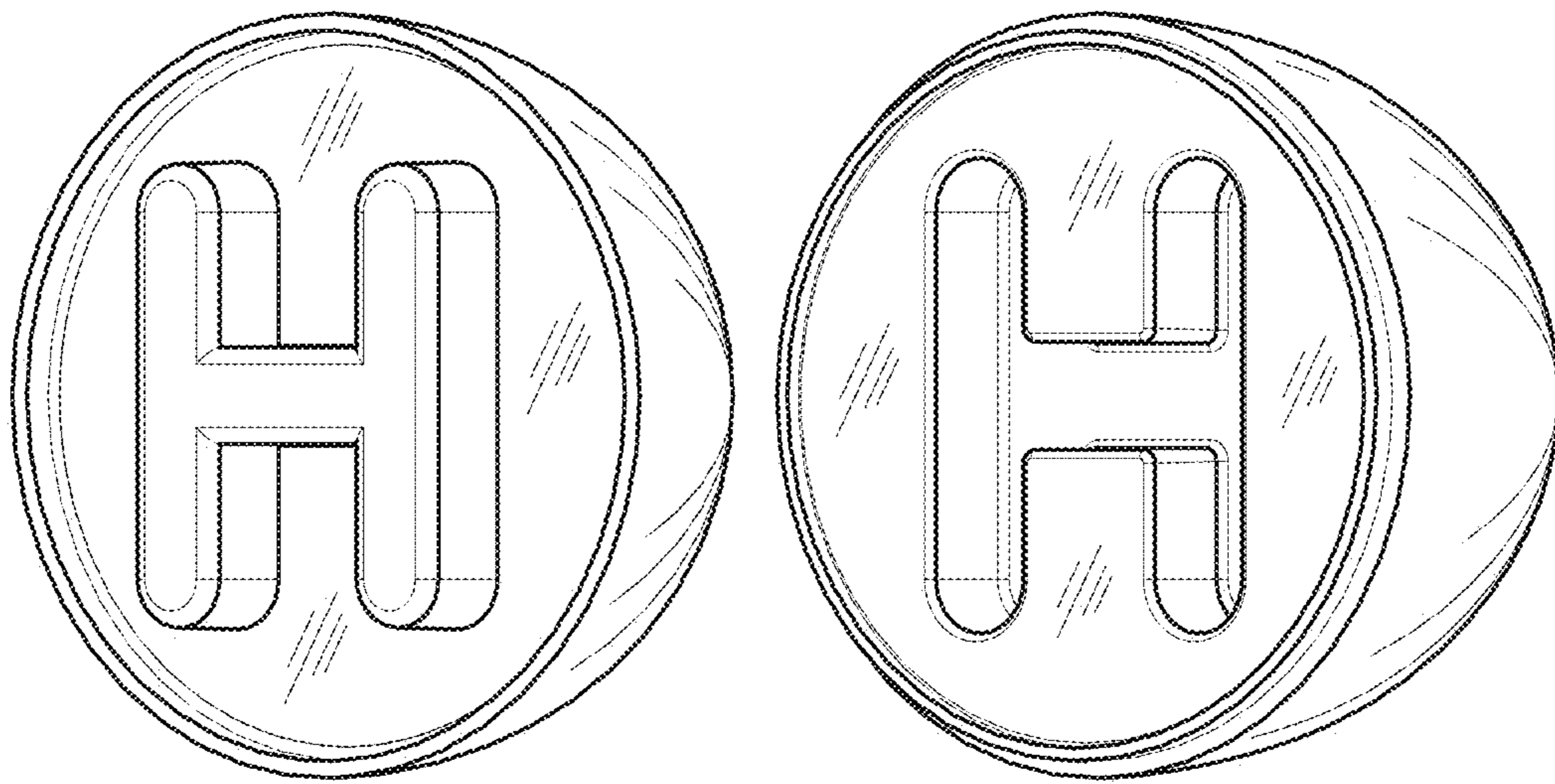


Fig. 30

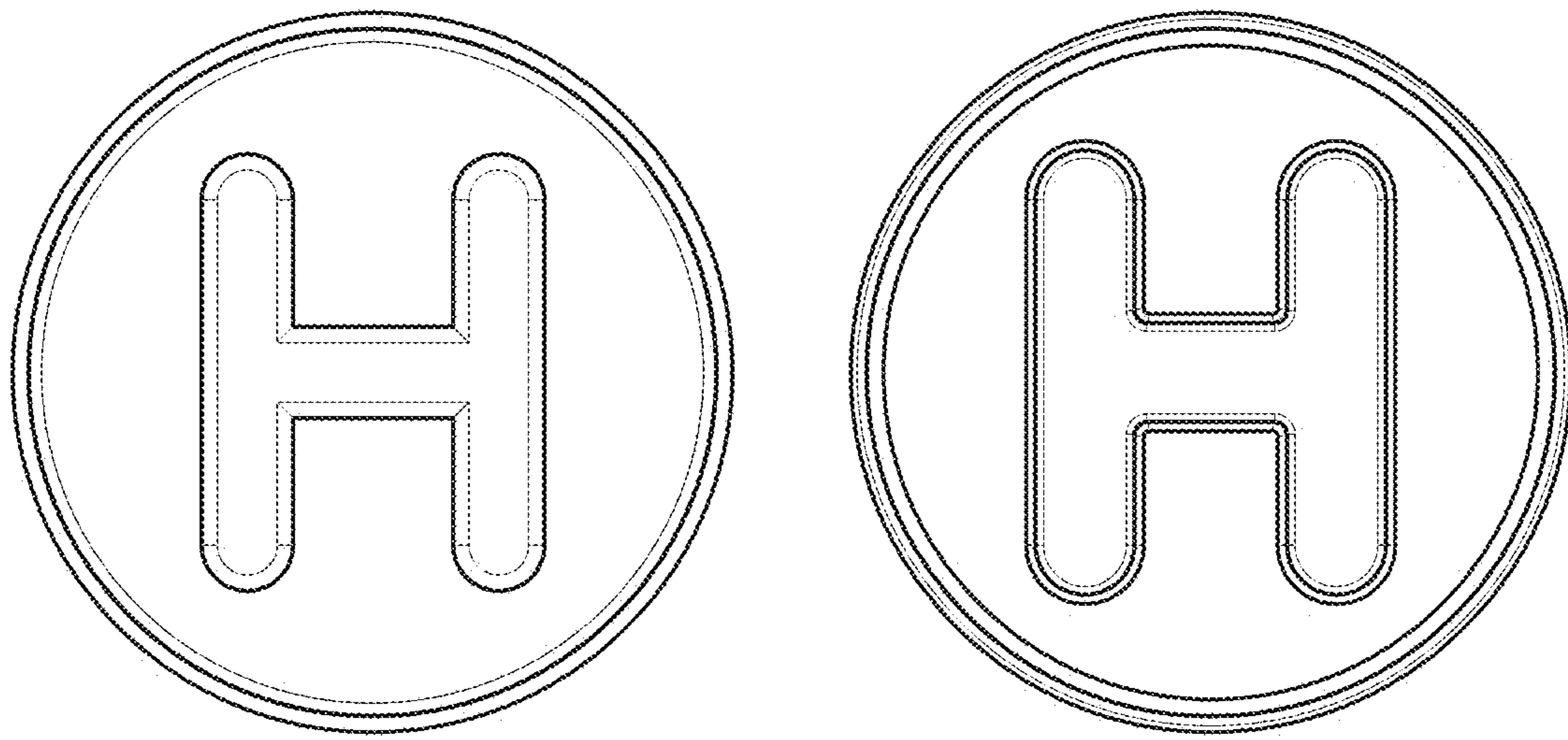


Fig. 31

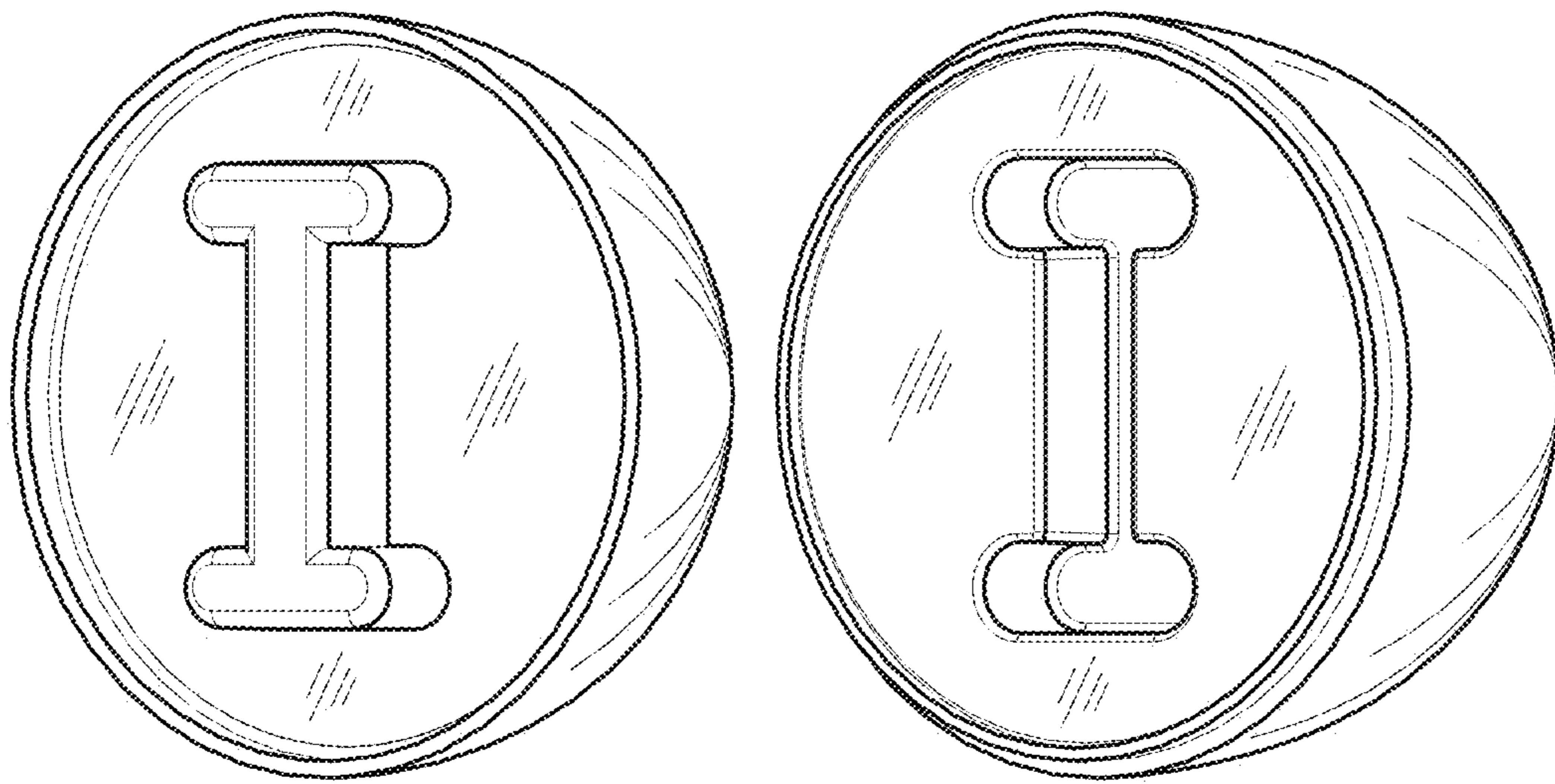


Fig. 32

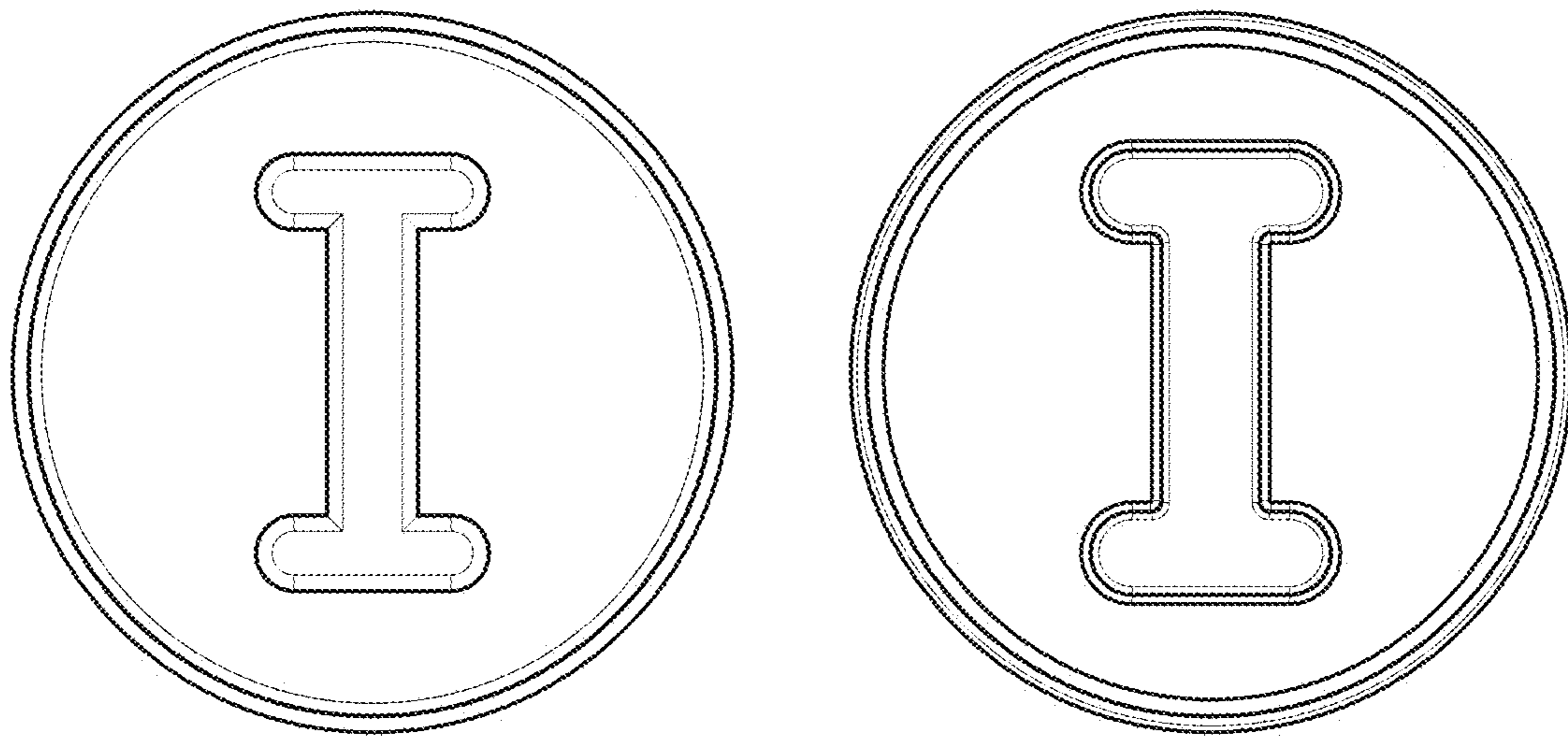


Fig. 33

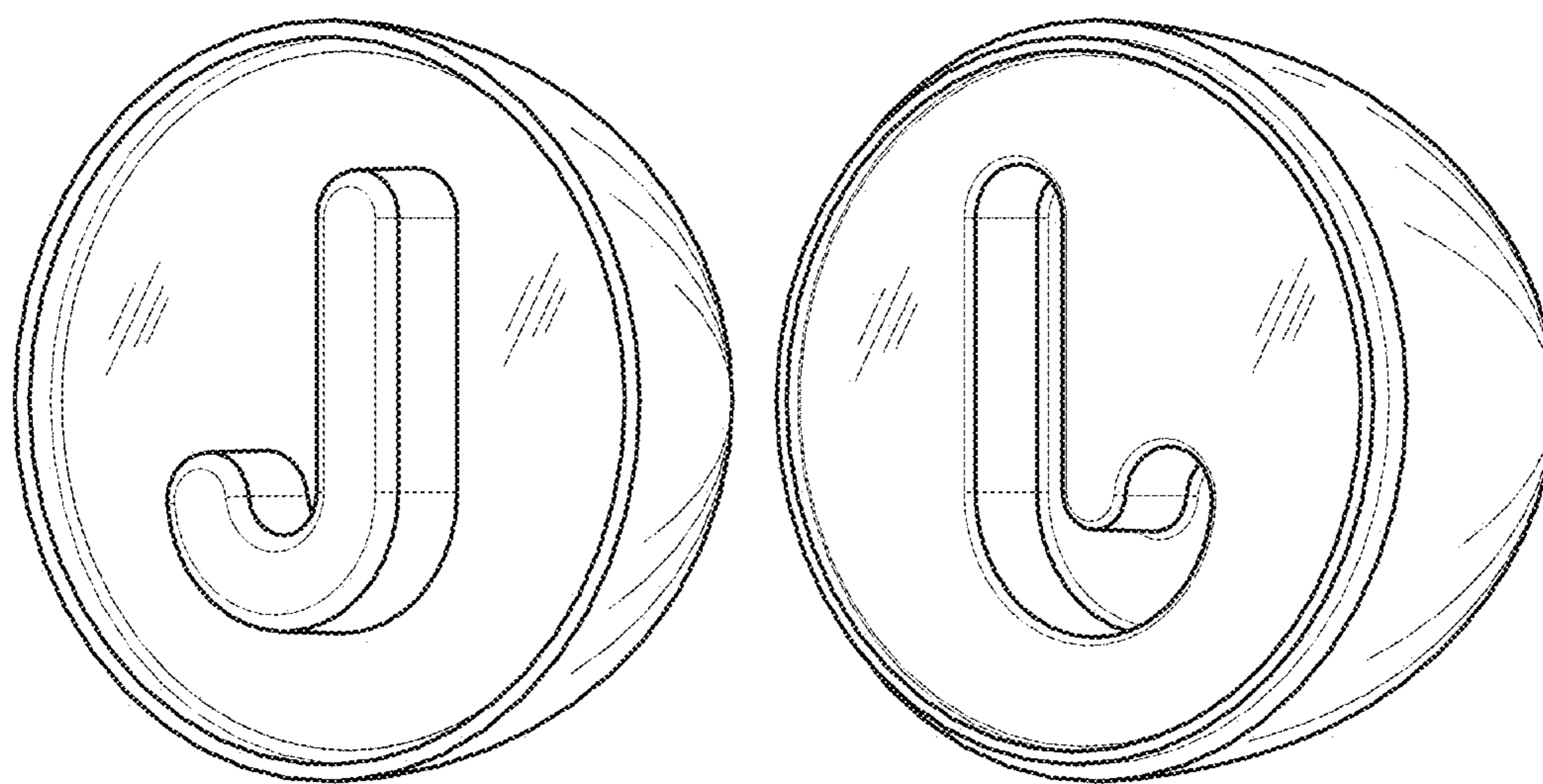


Fig. 34

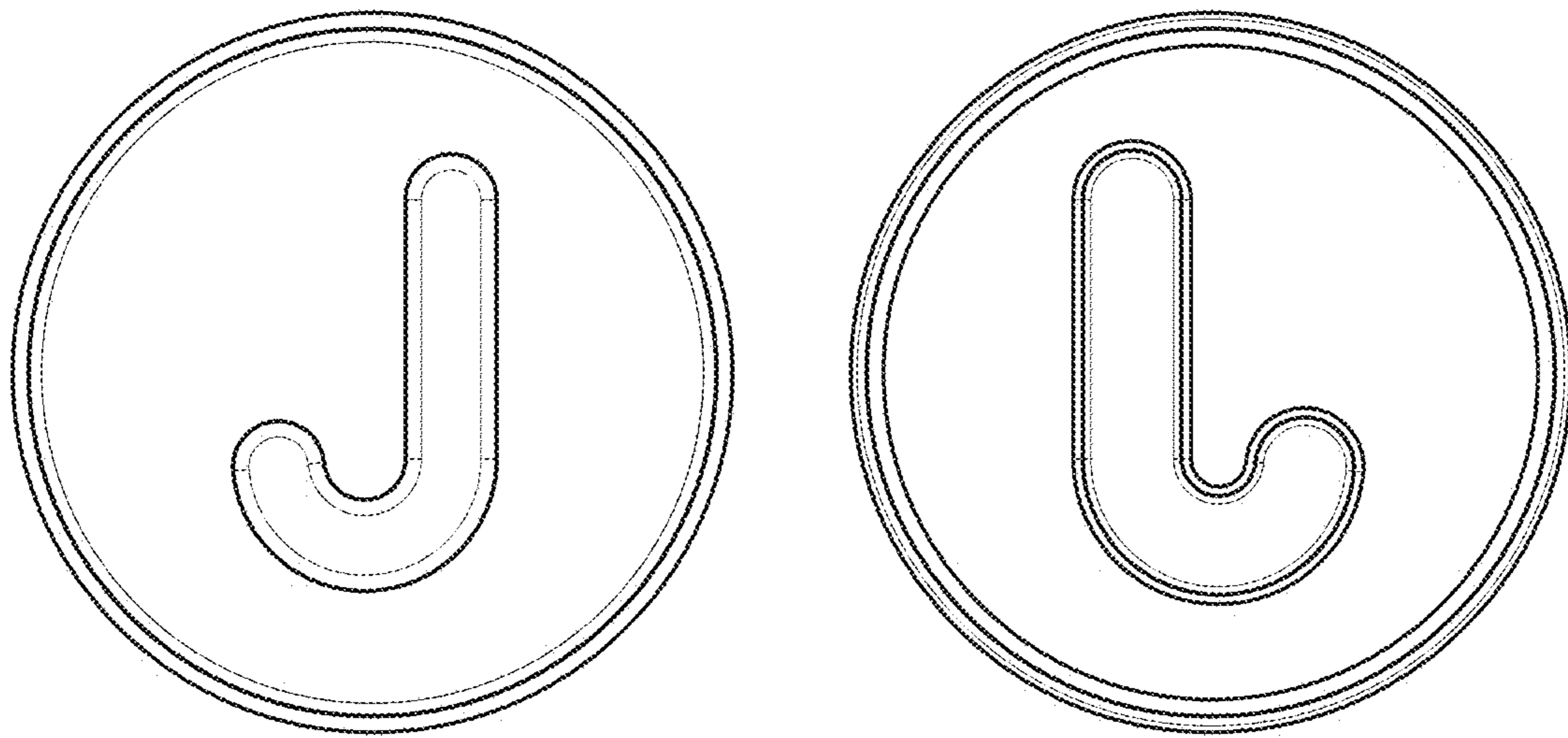


Fig. 35

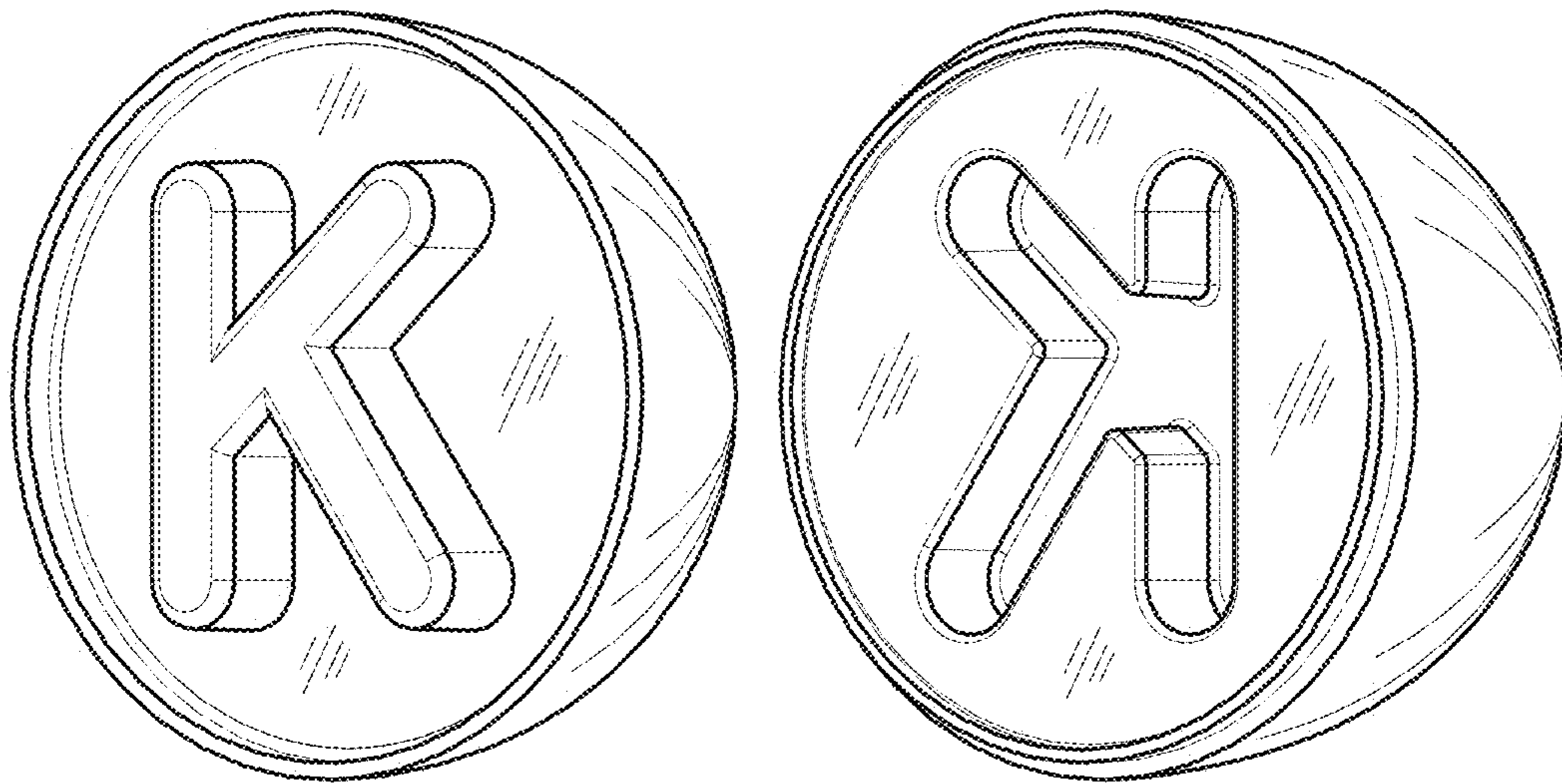


Fig. 36

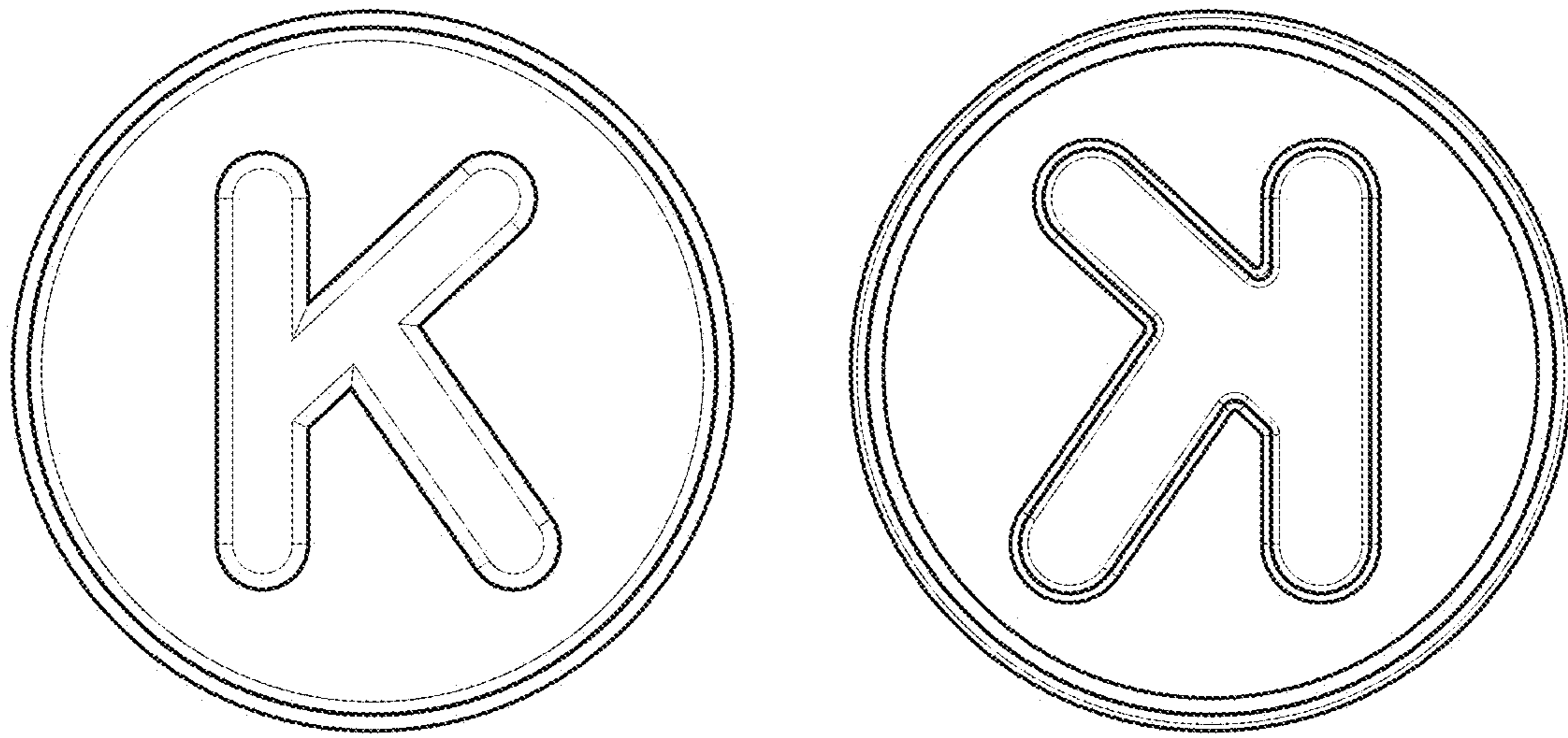


Fig. 37



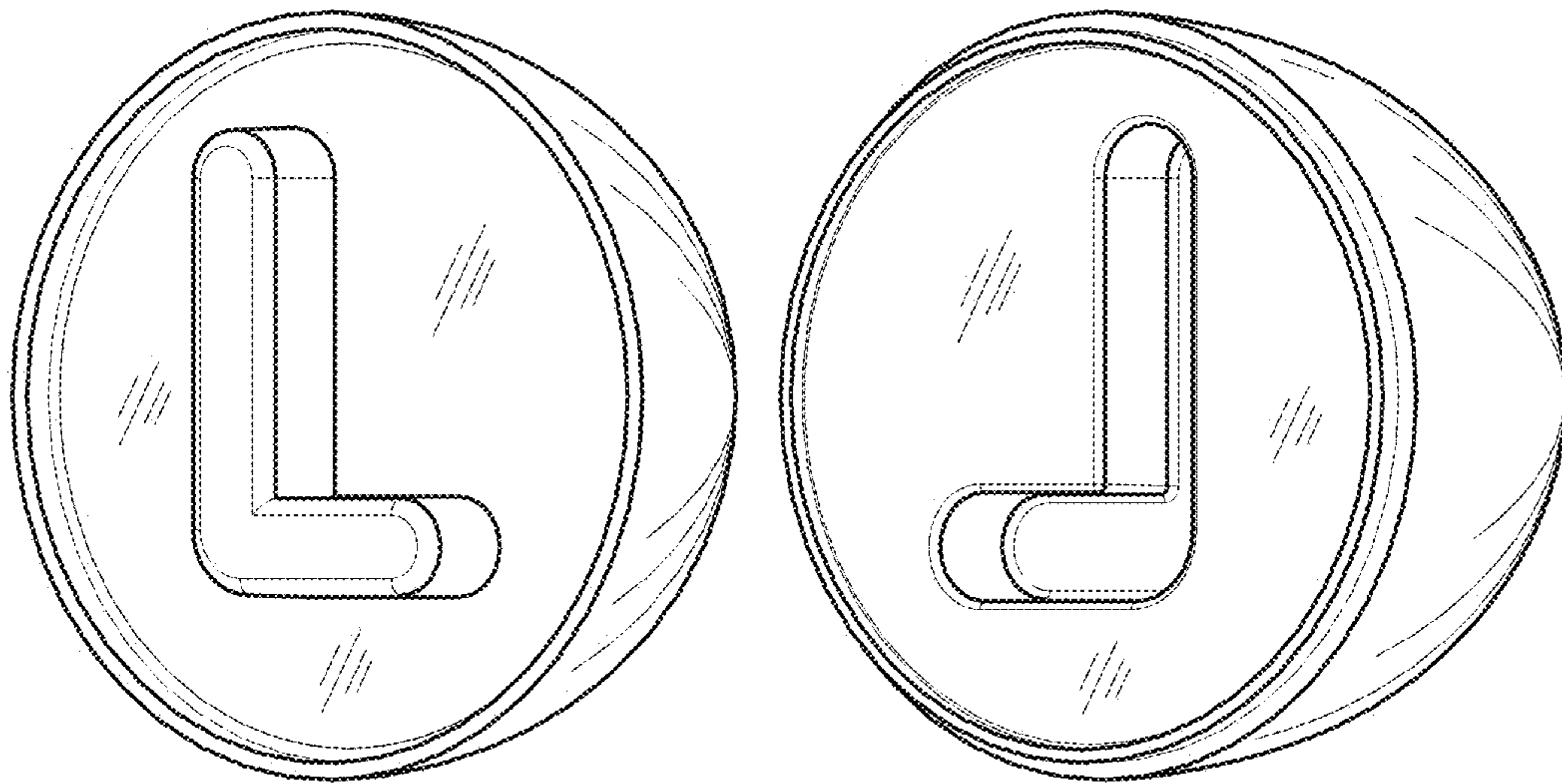


Fig. 38

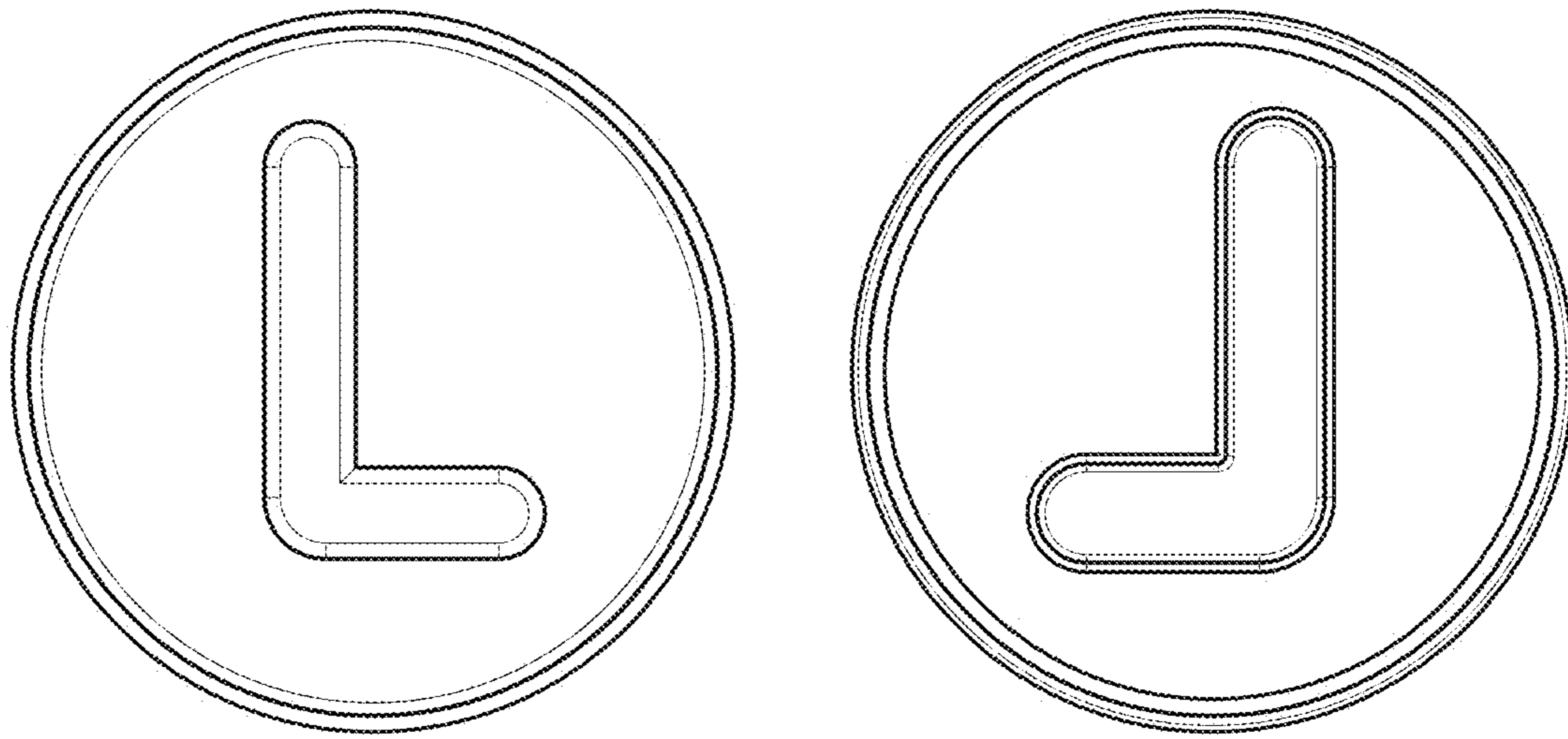


Fig. 39

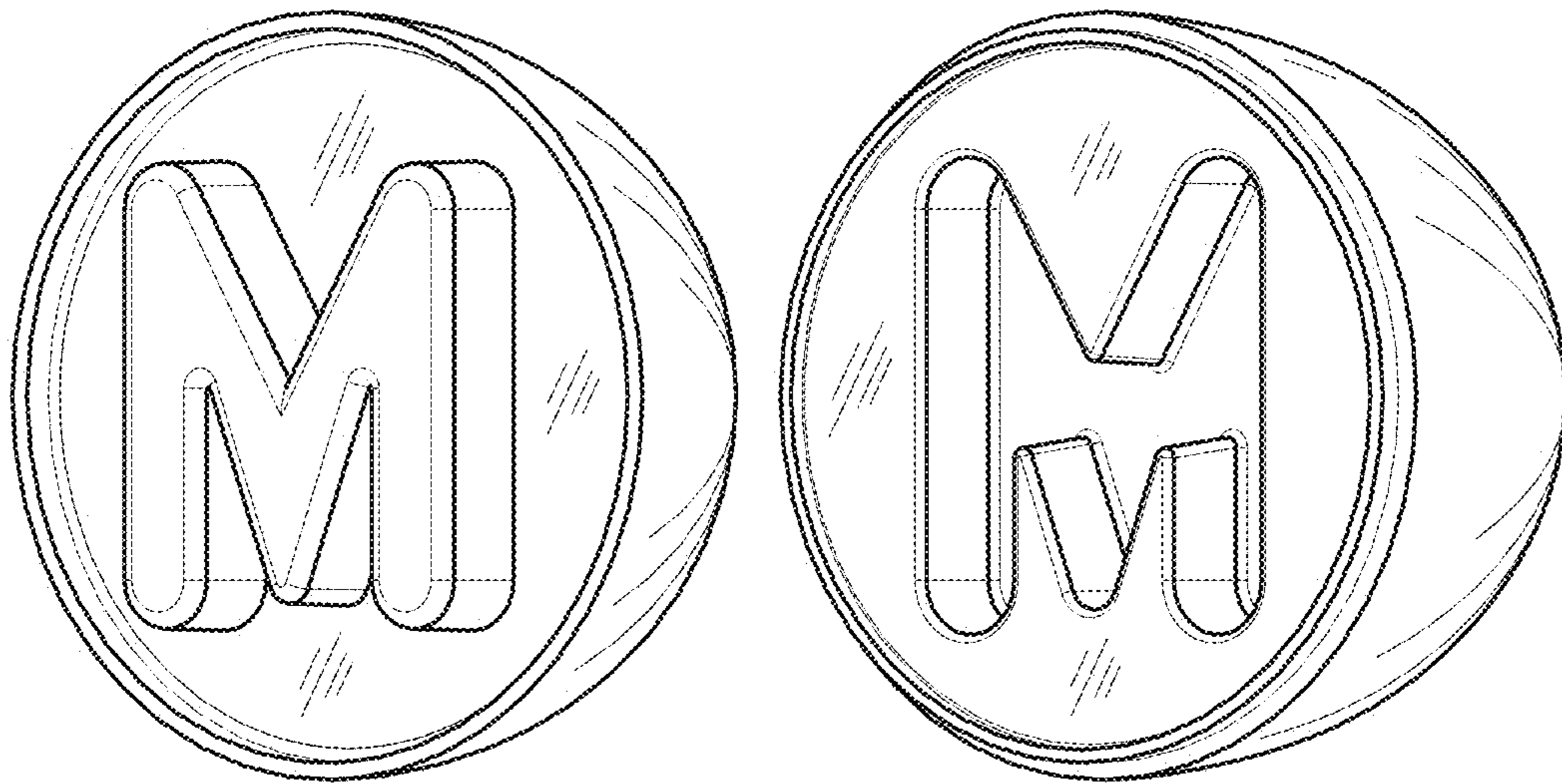


Fig. 40

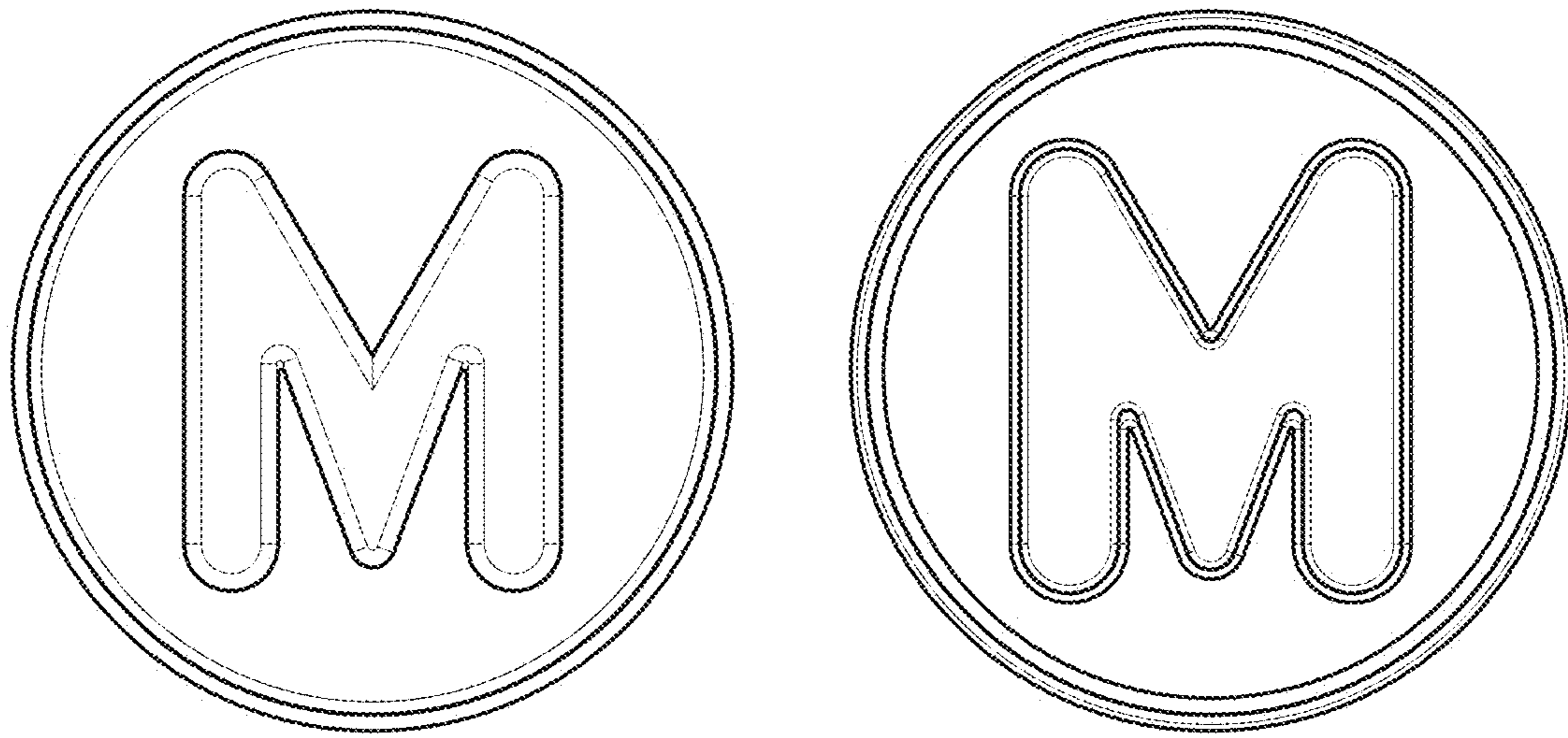


Fig. 41

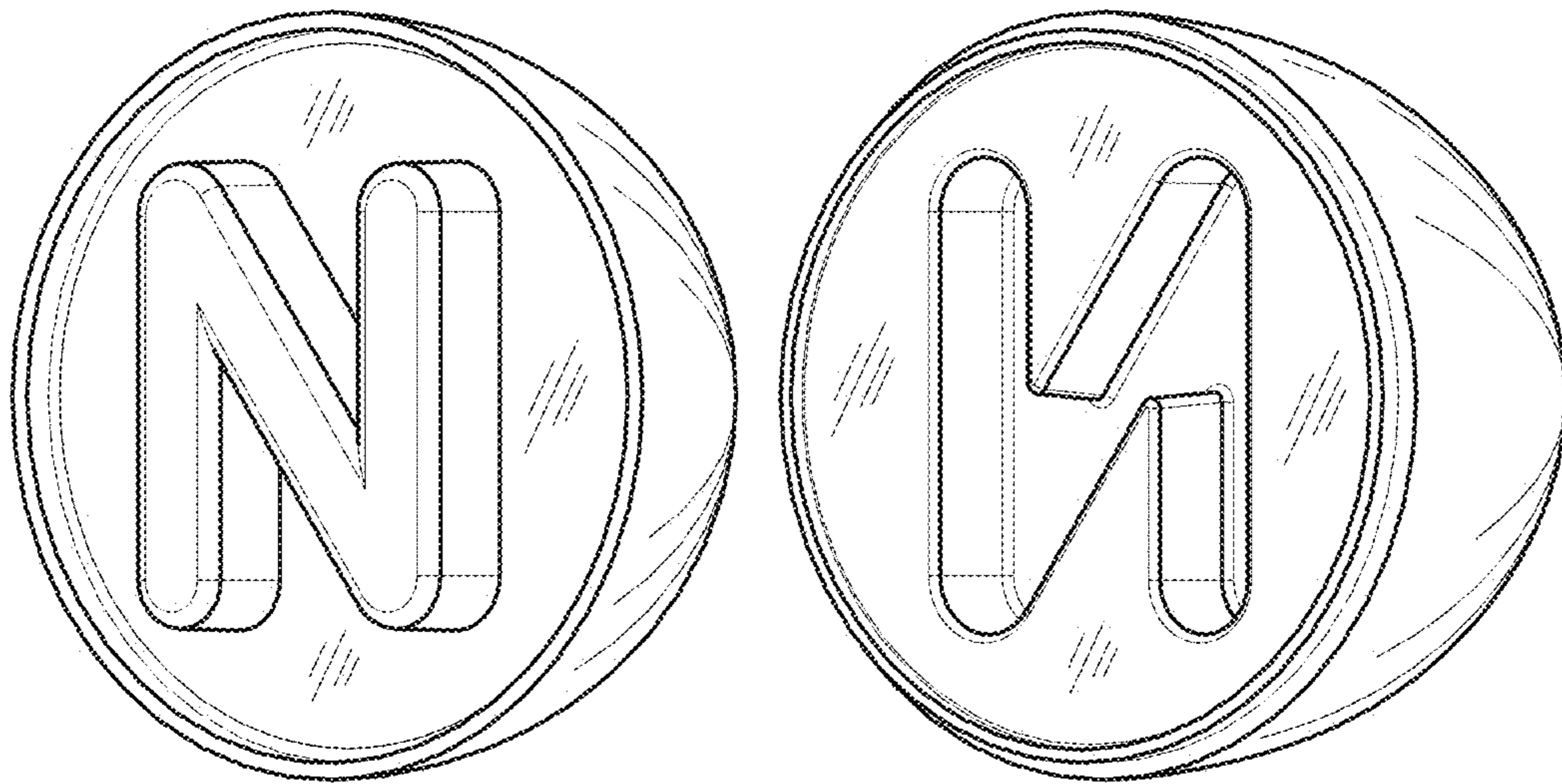


Fig. 42

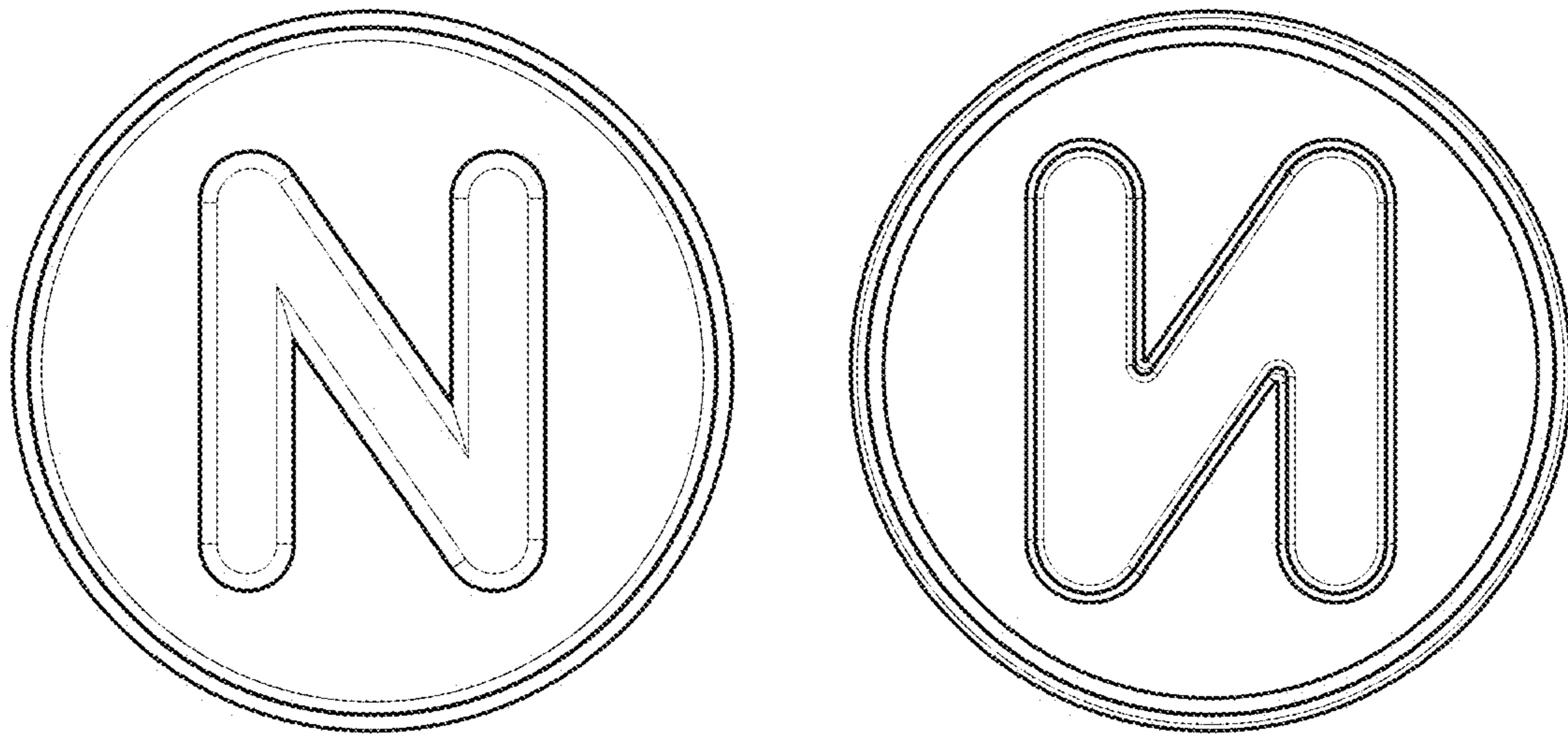


Fig. 43

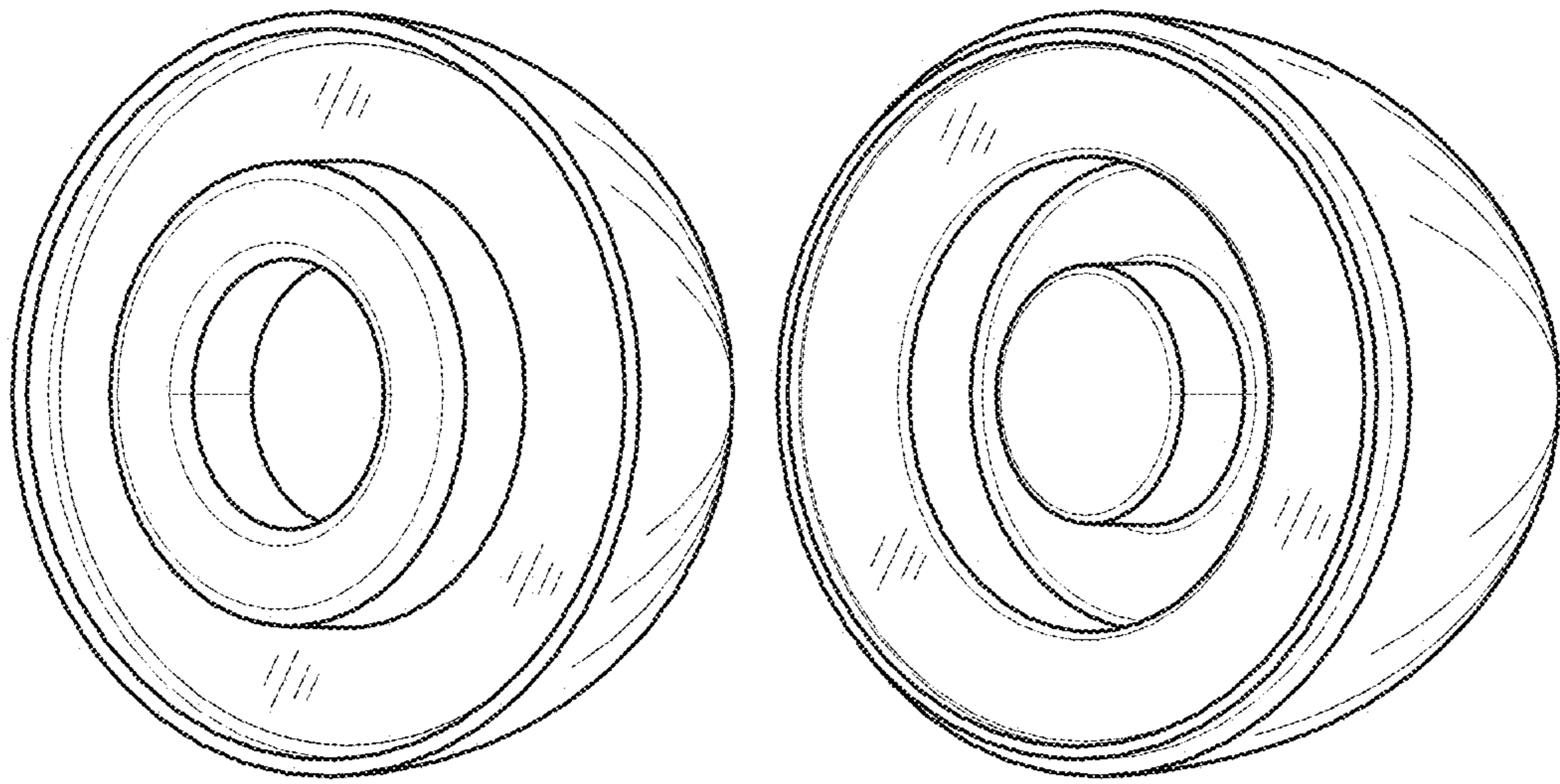


Fig. 44

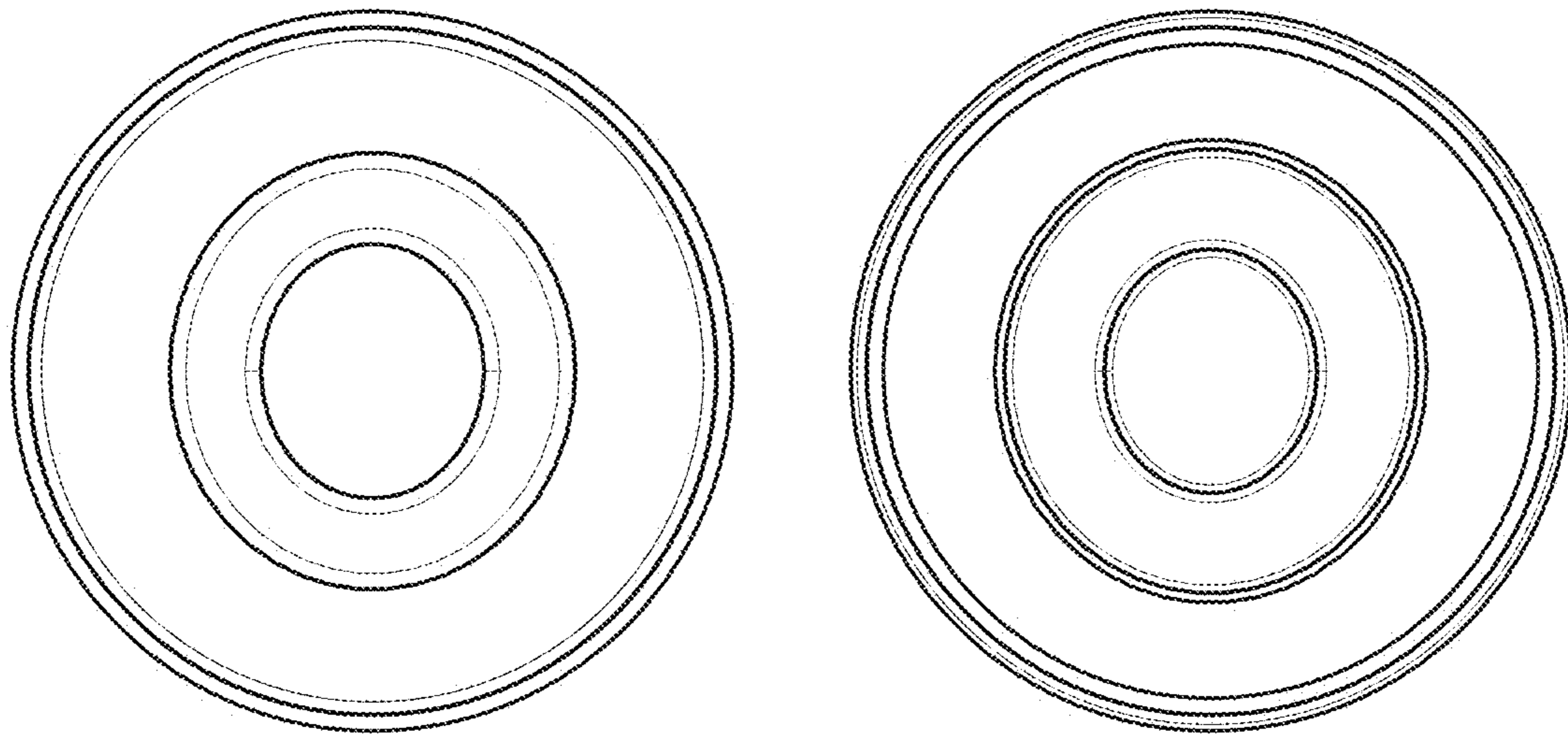


Fig. 45



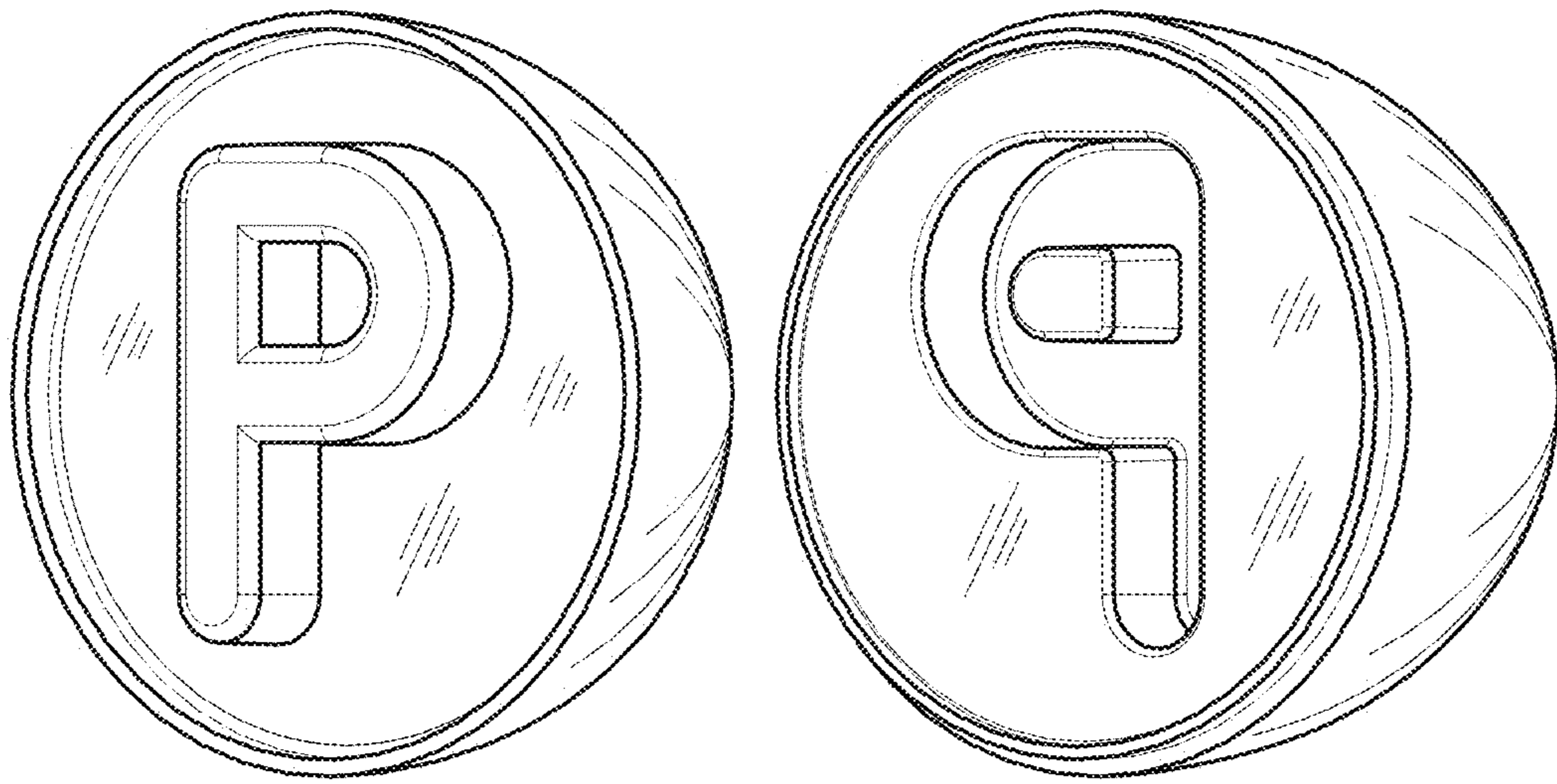


Fig. 46

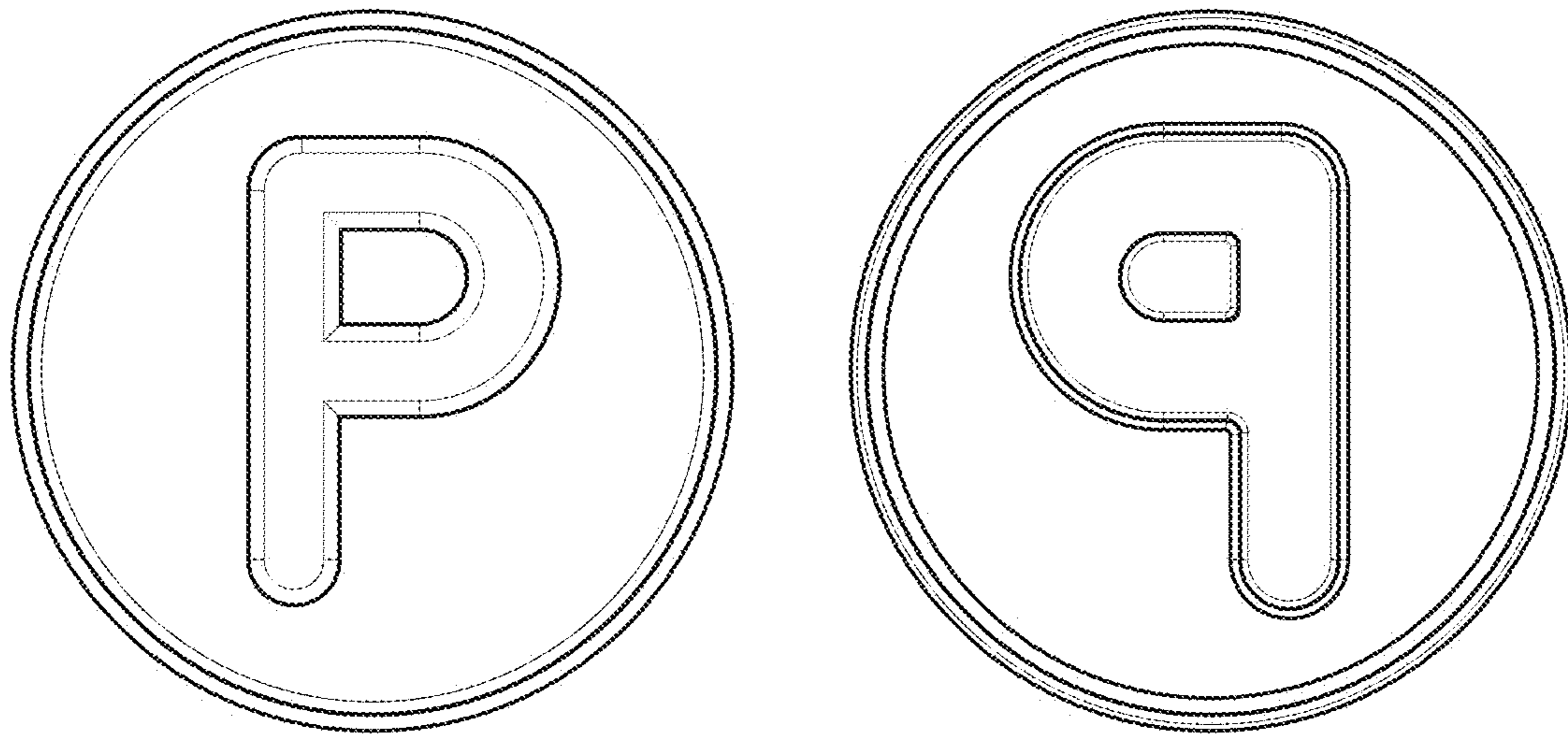


Fig. 47

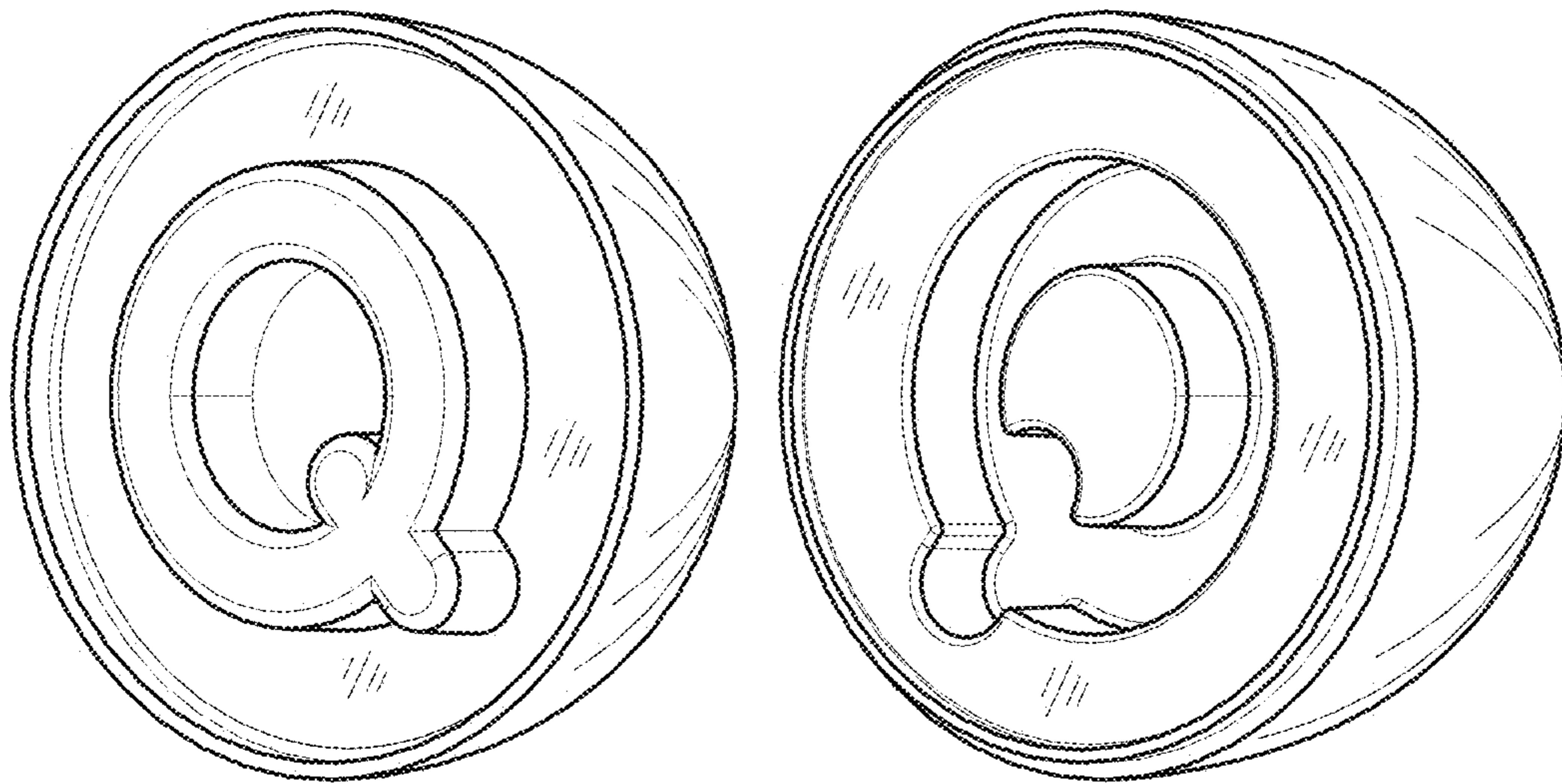


Fig. 48

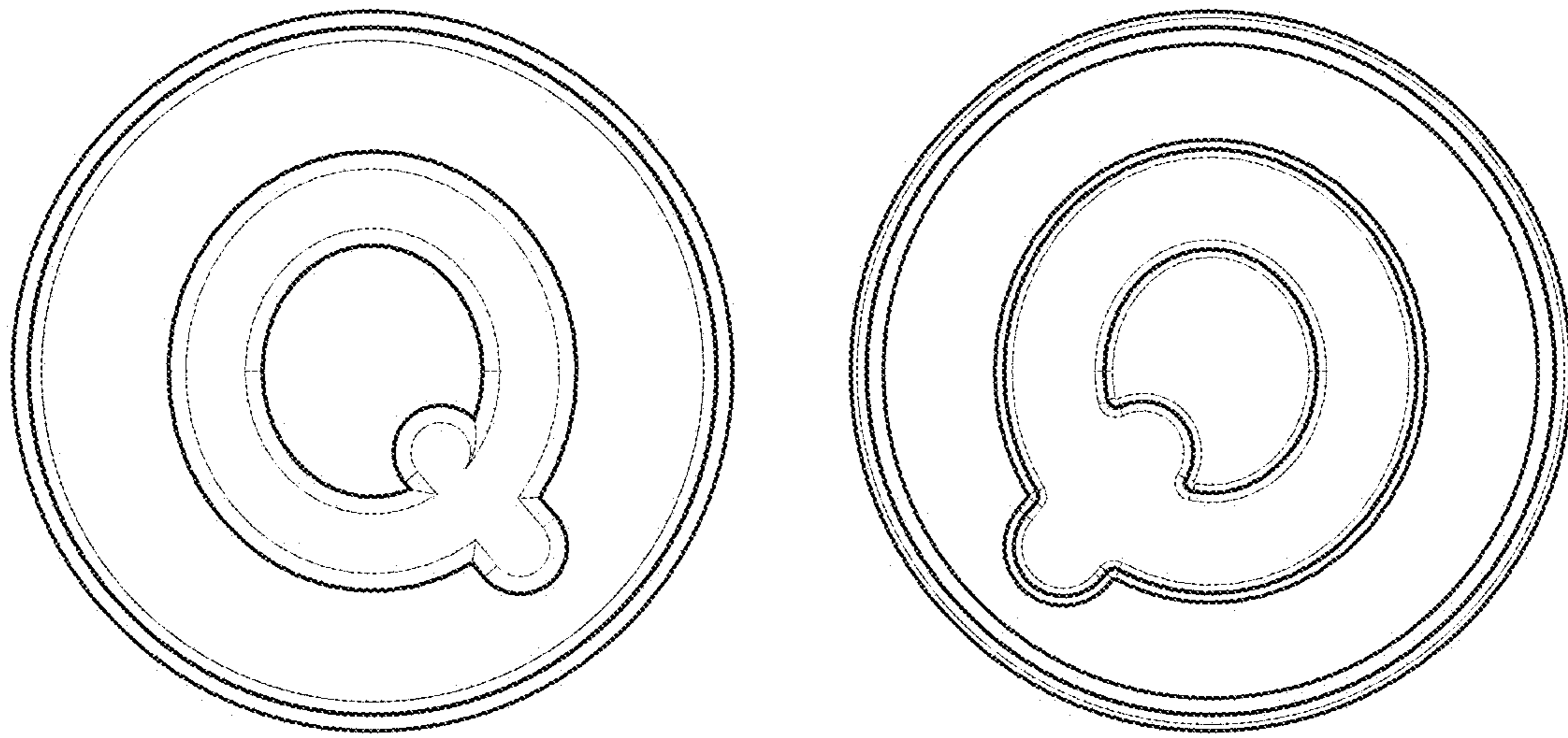


Fig. 49

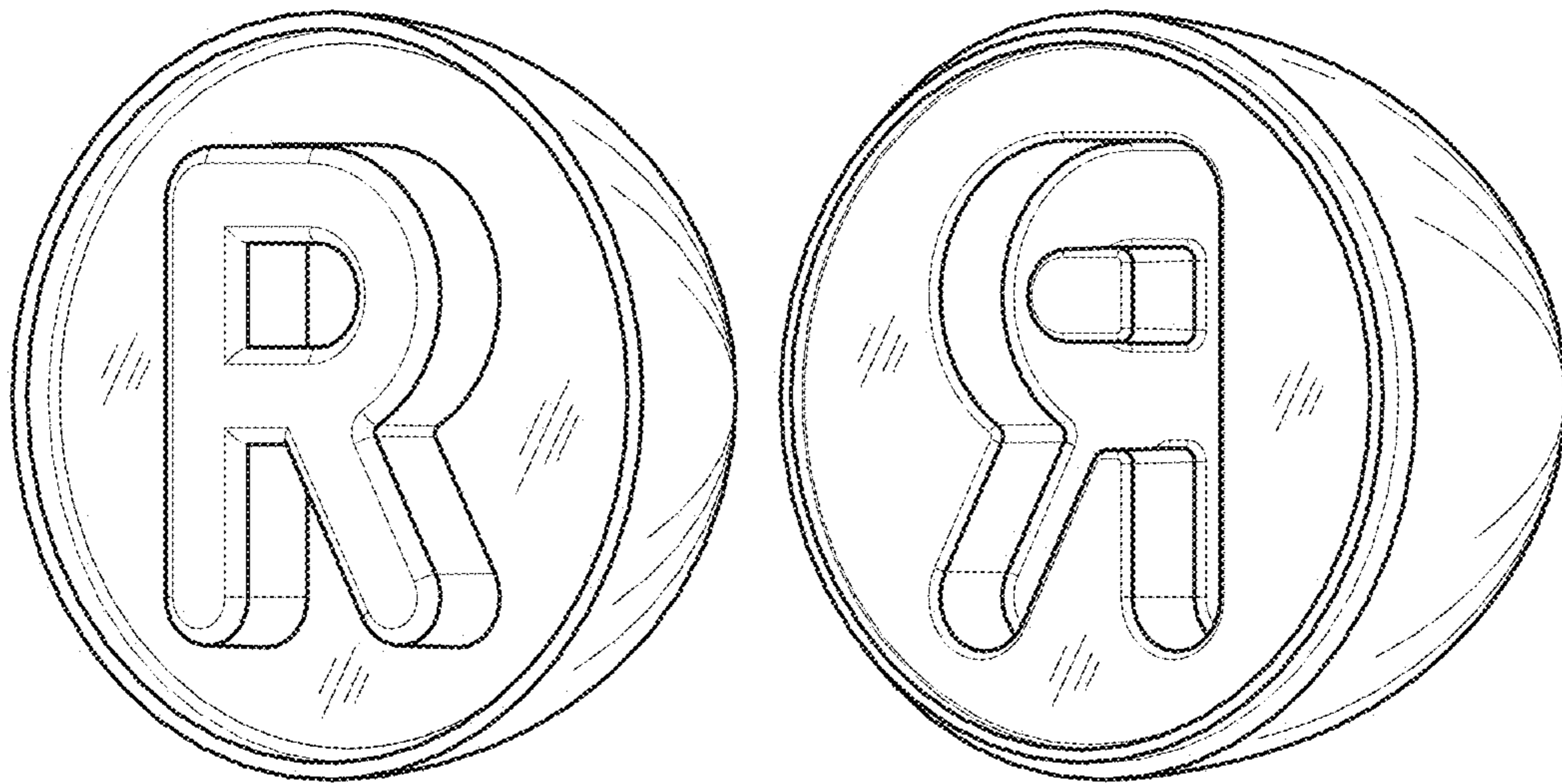


Fig. 50

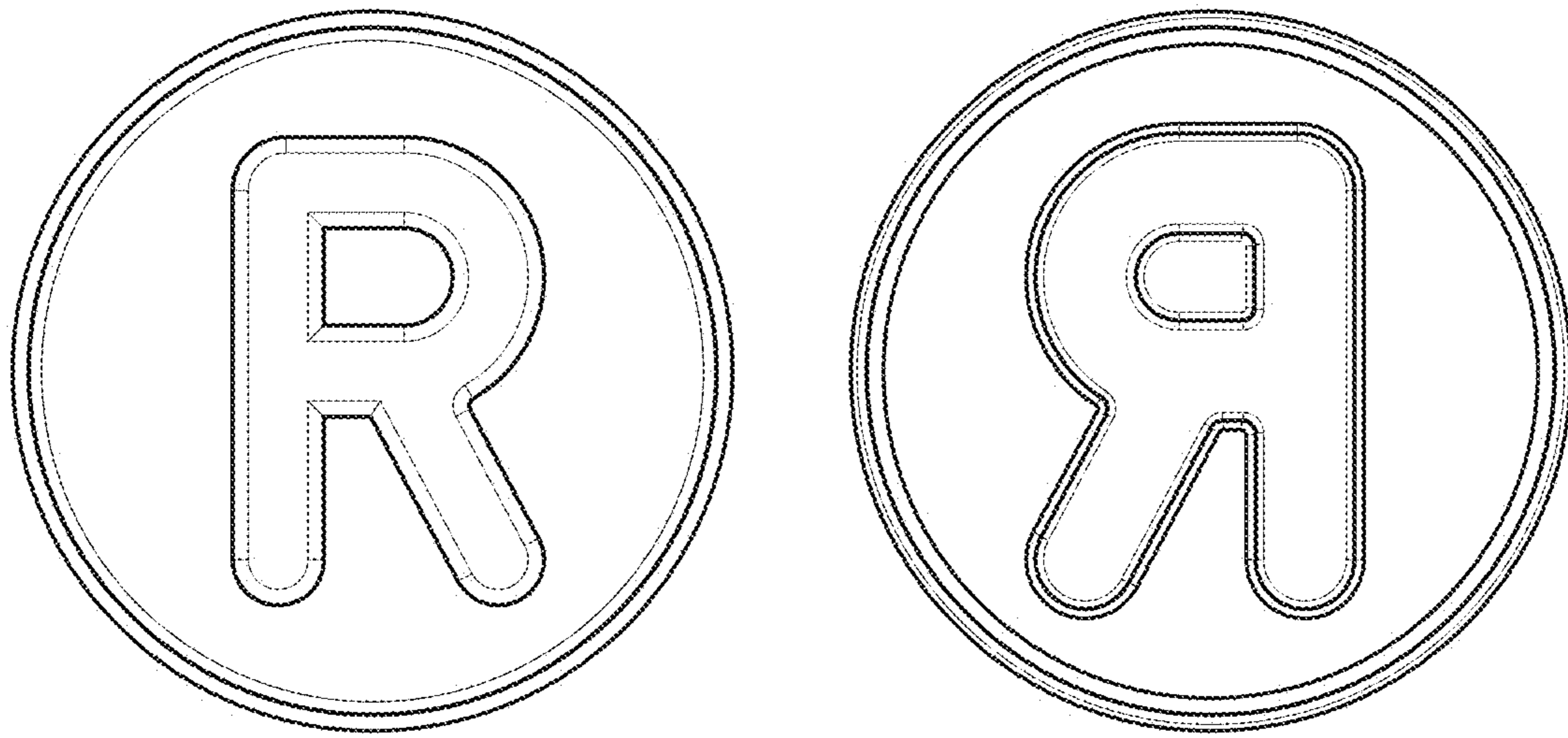


Fig. 51

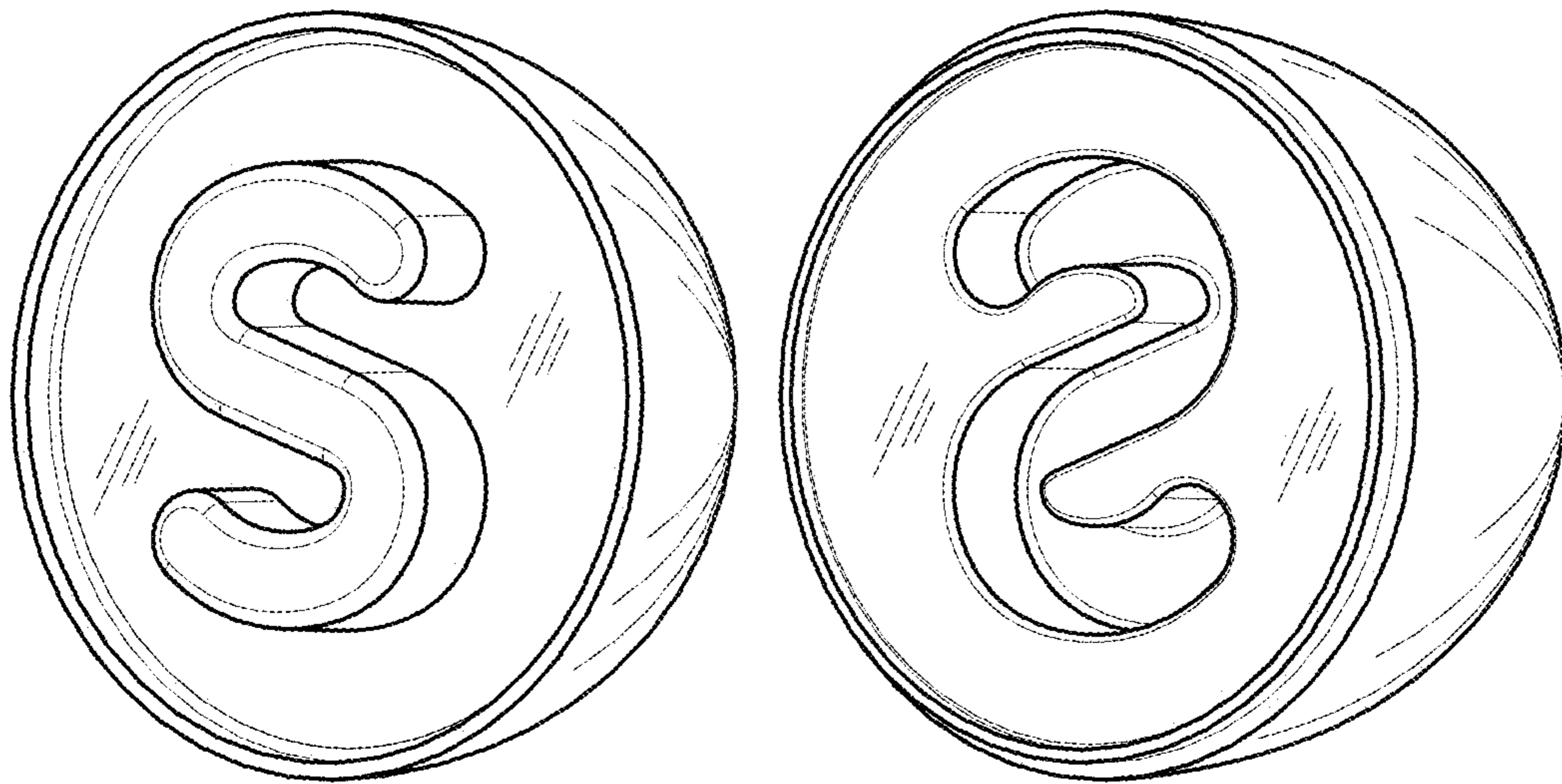


Fig. 52

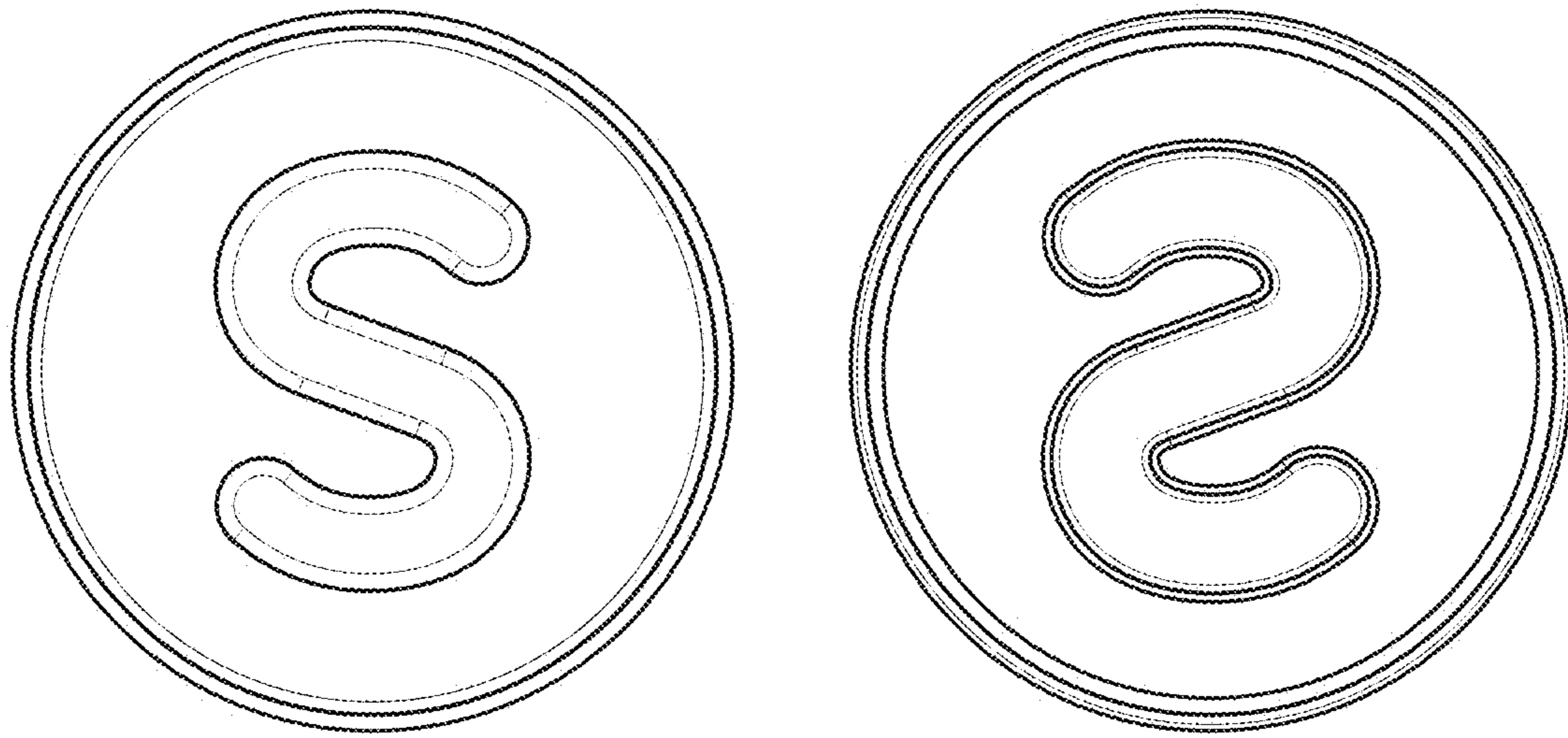


Fig. 53



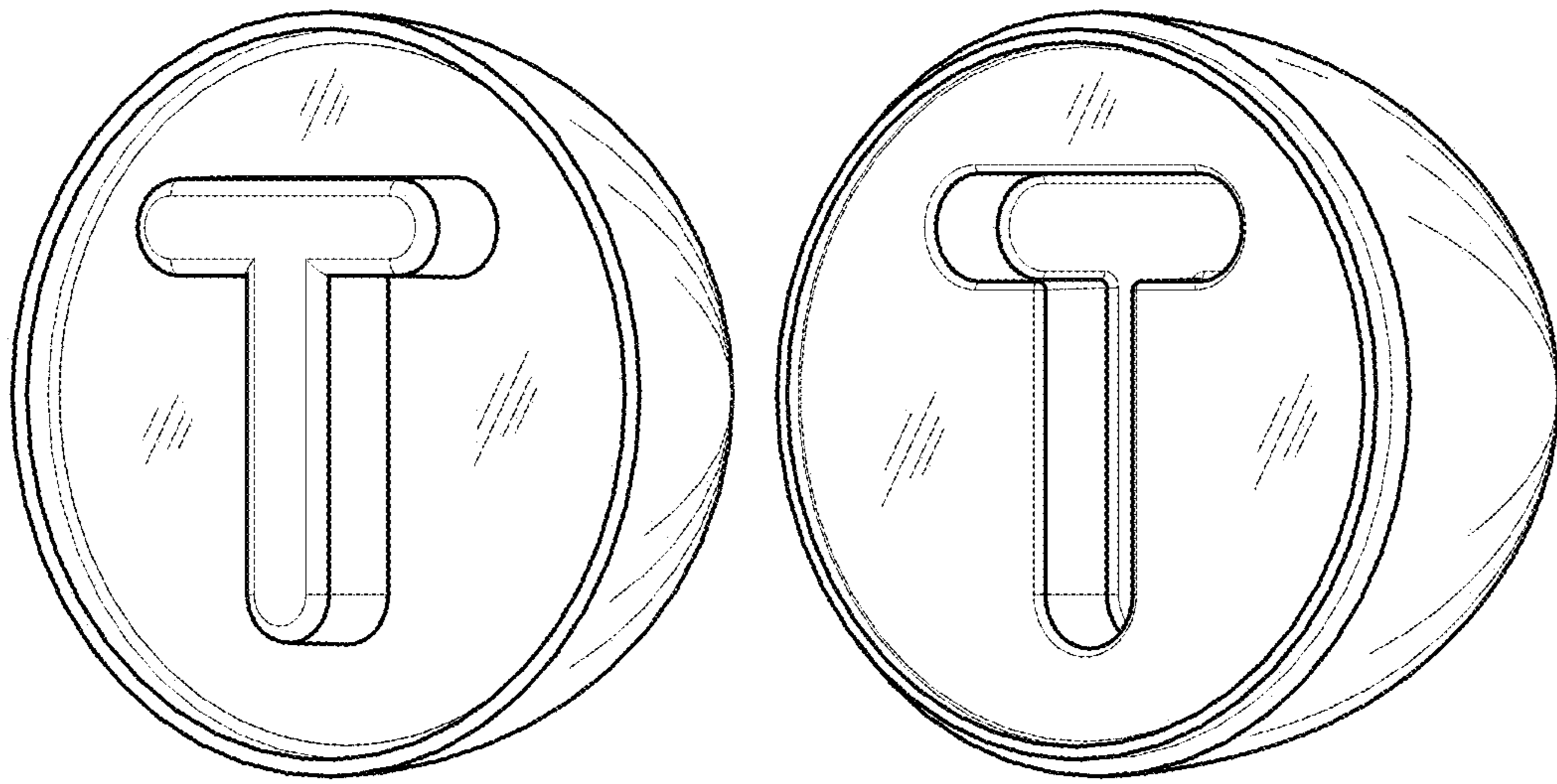


Fig. 54

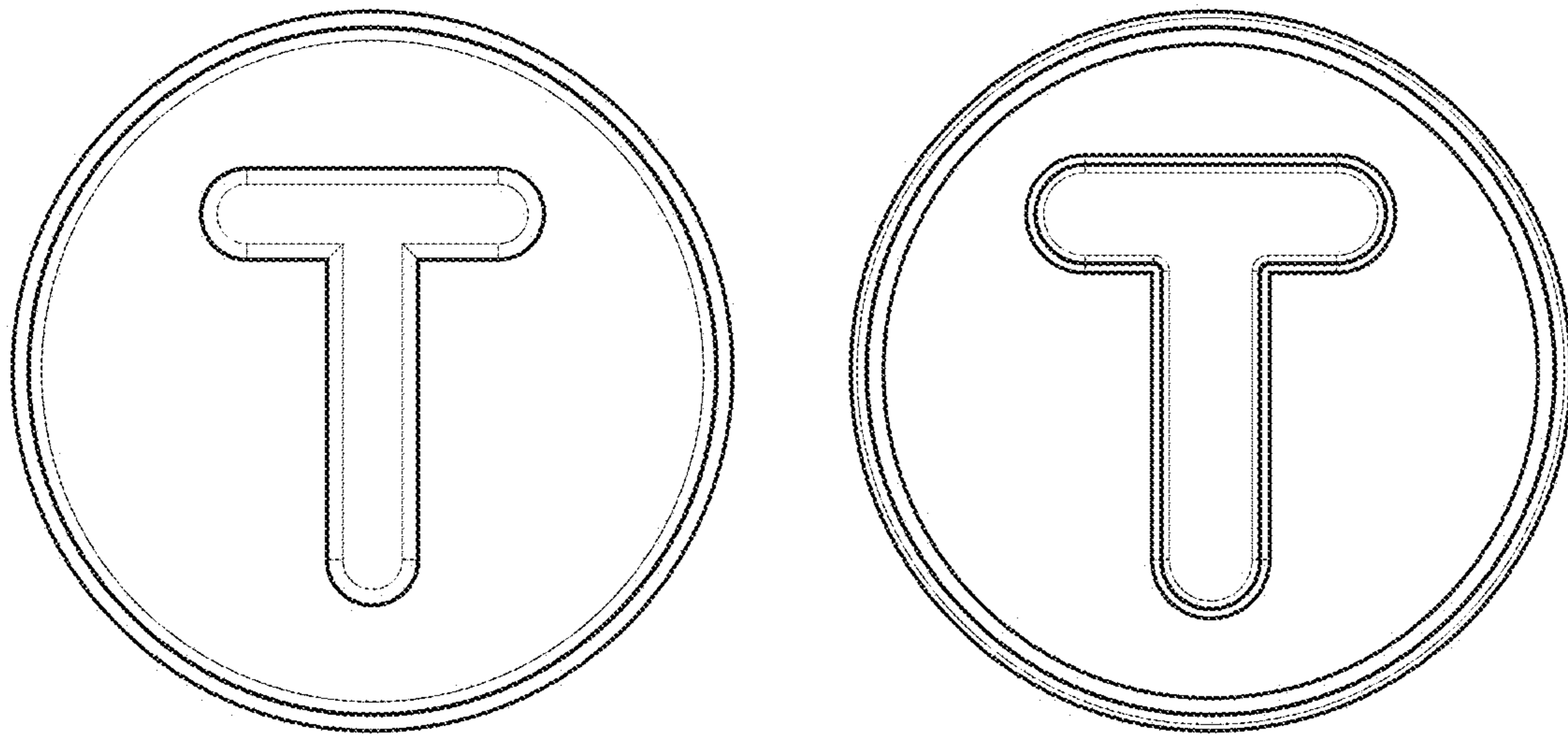


Fig. 55

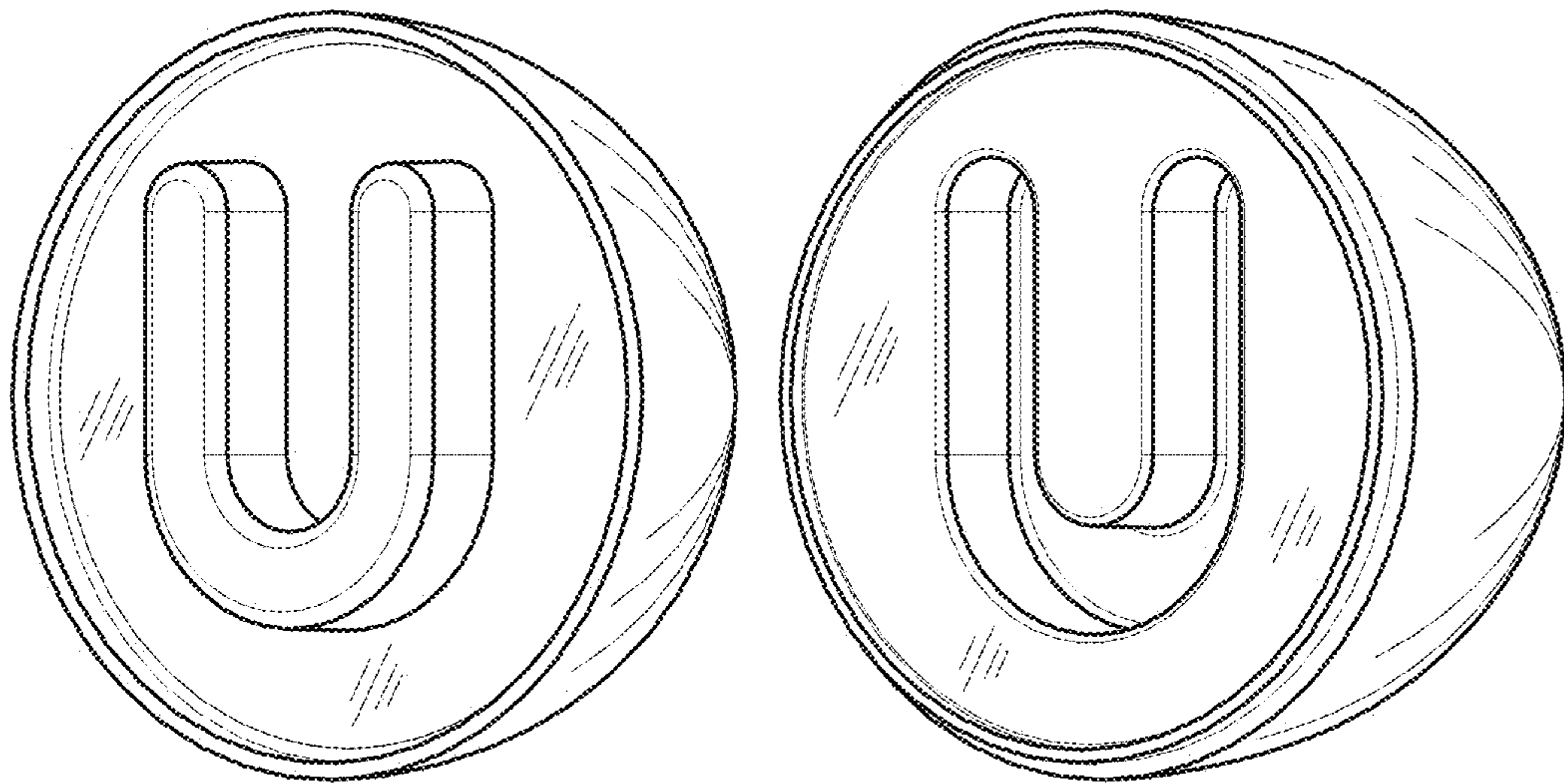


Fig. 56

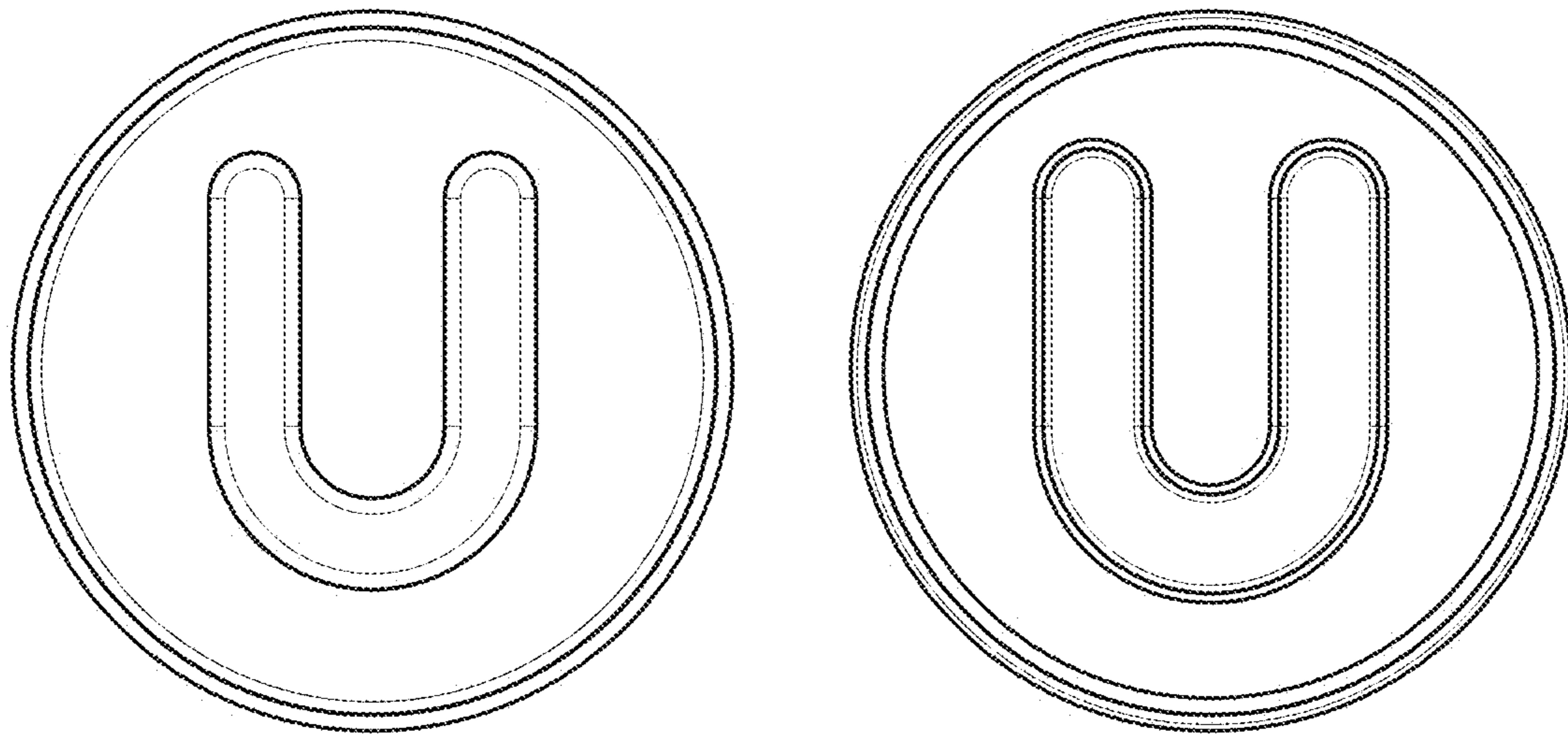


Fig. 57

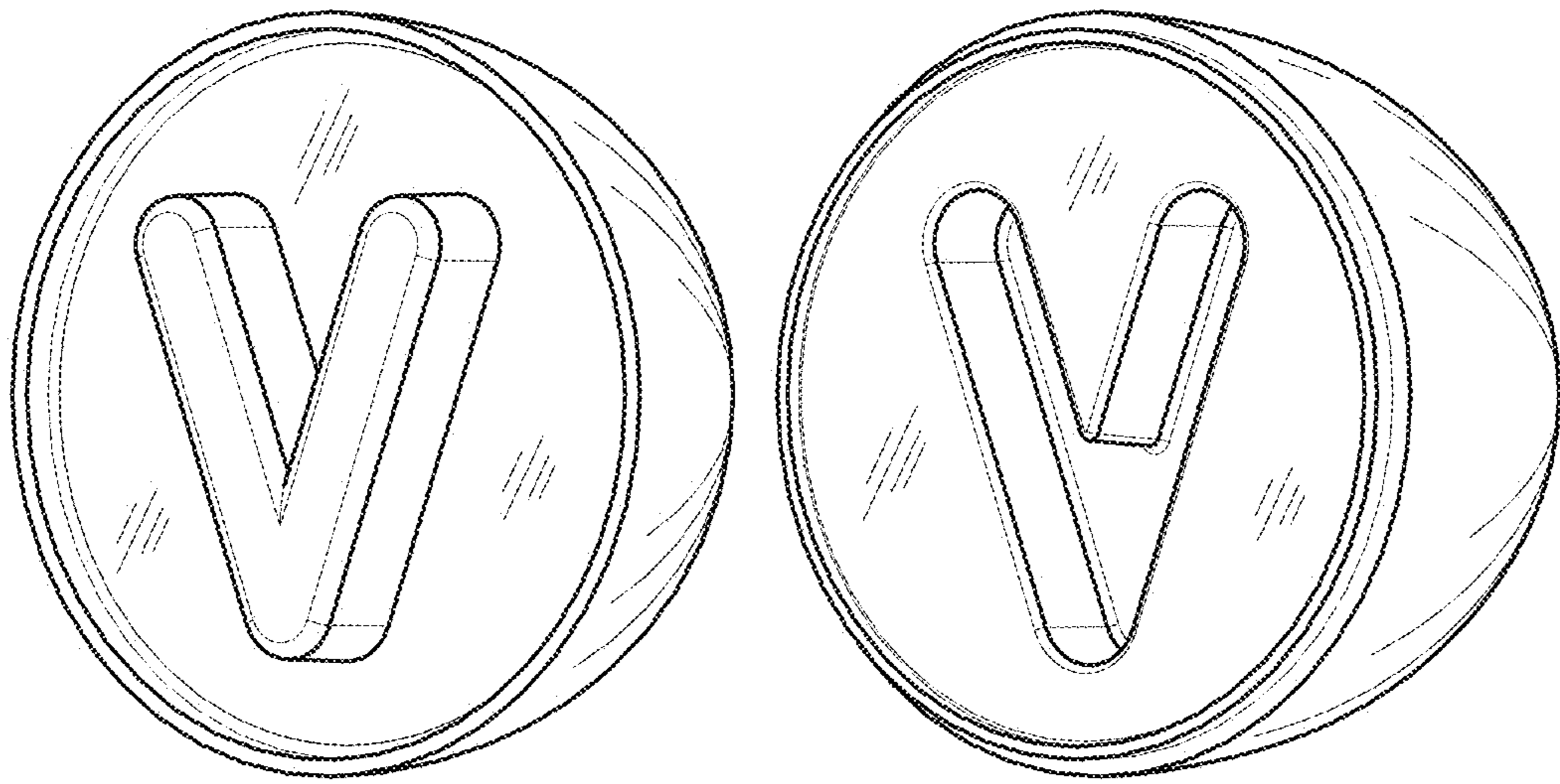


Fig. 58

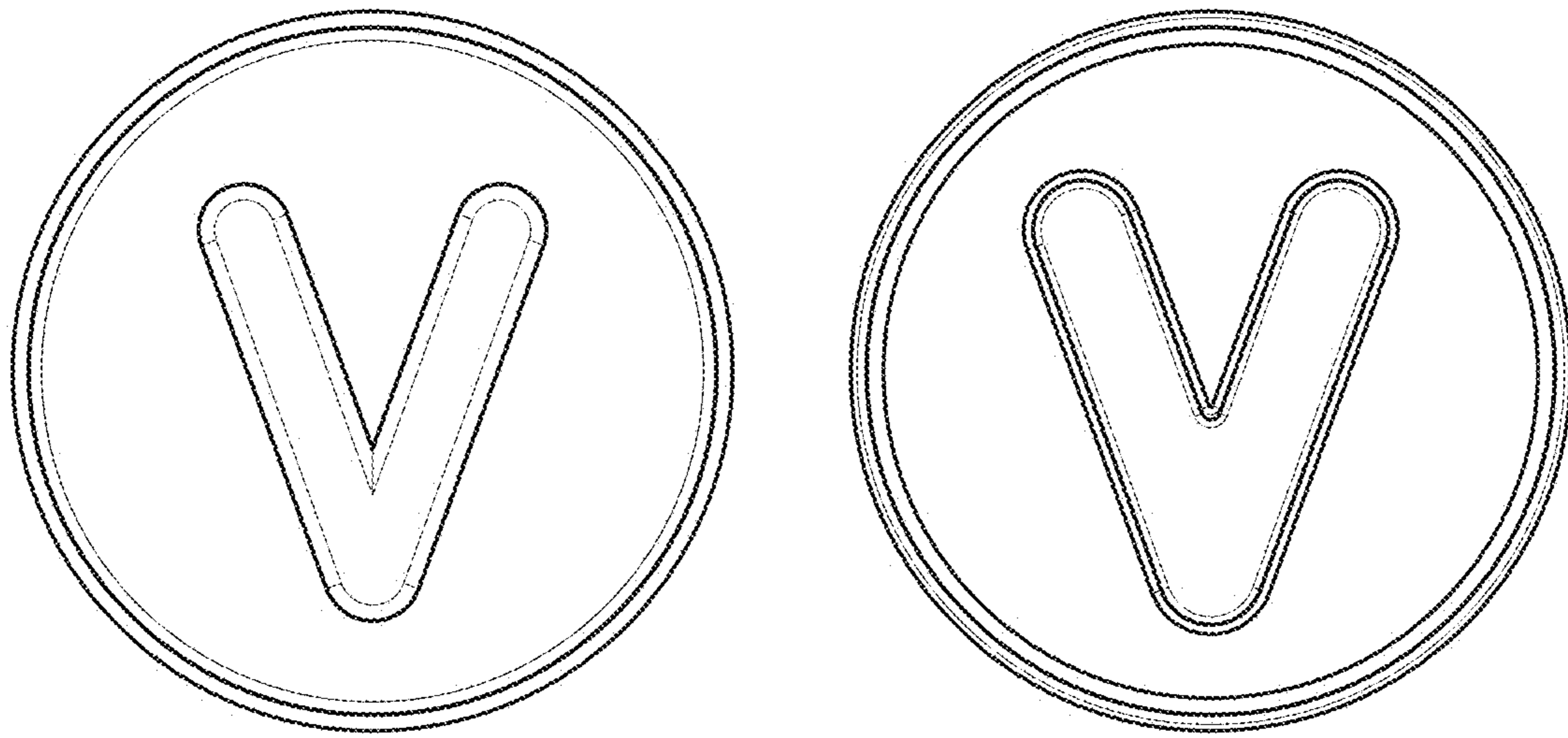


Fig. 59

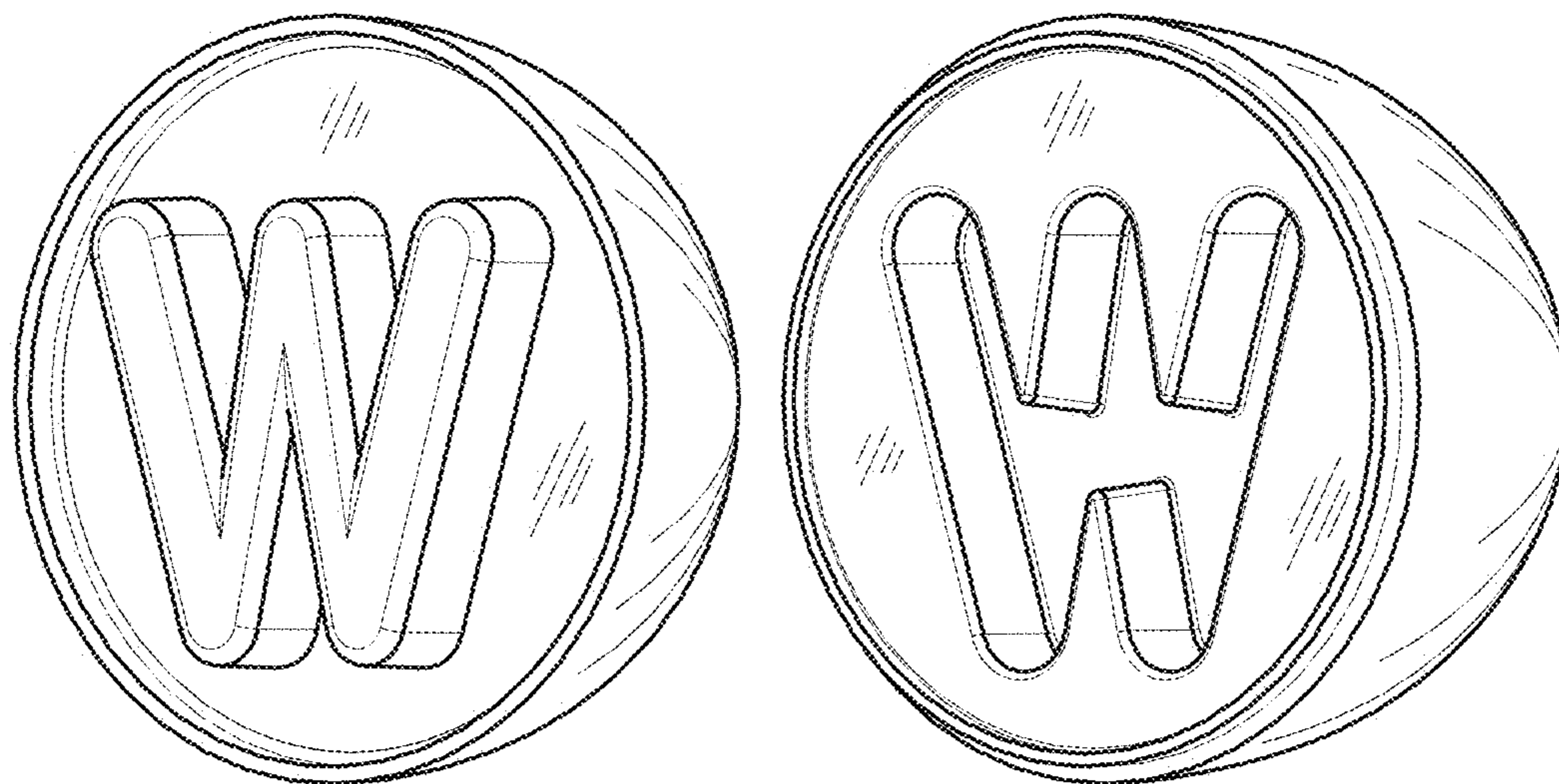


Fig. 60

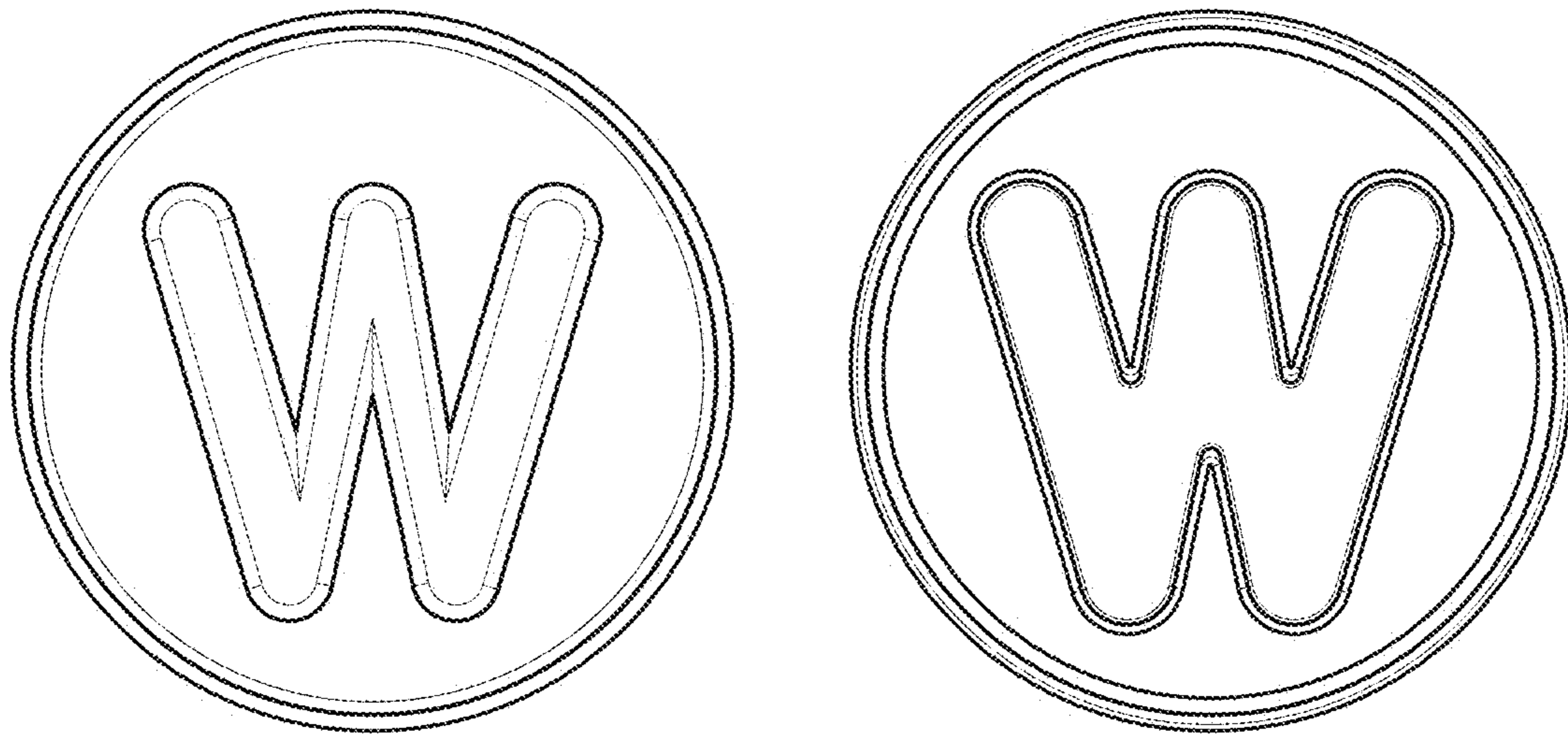


Fig. 61



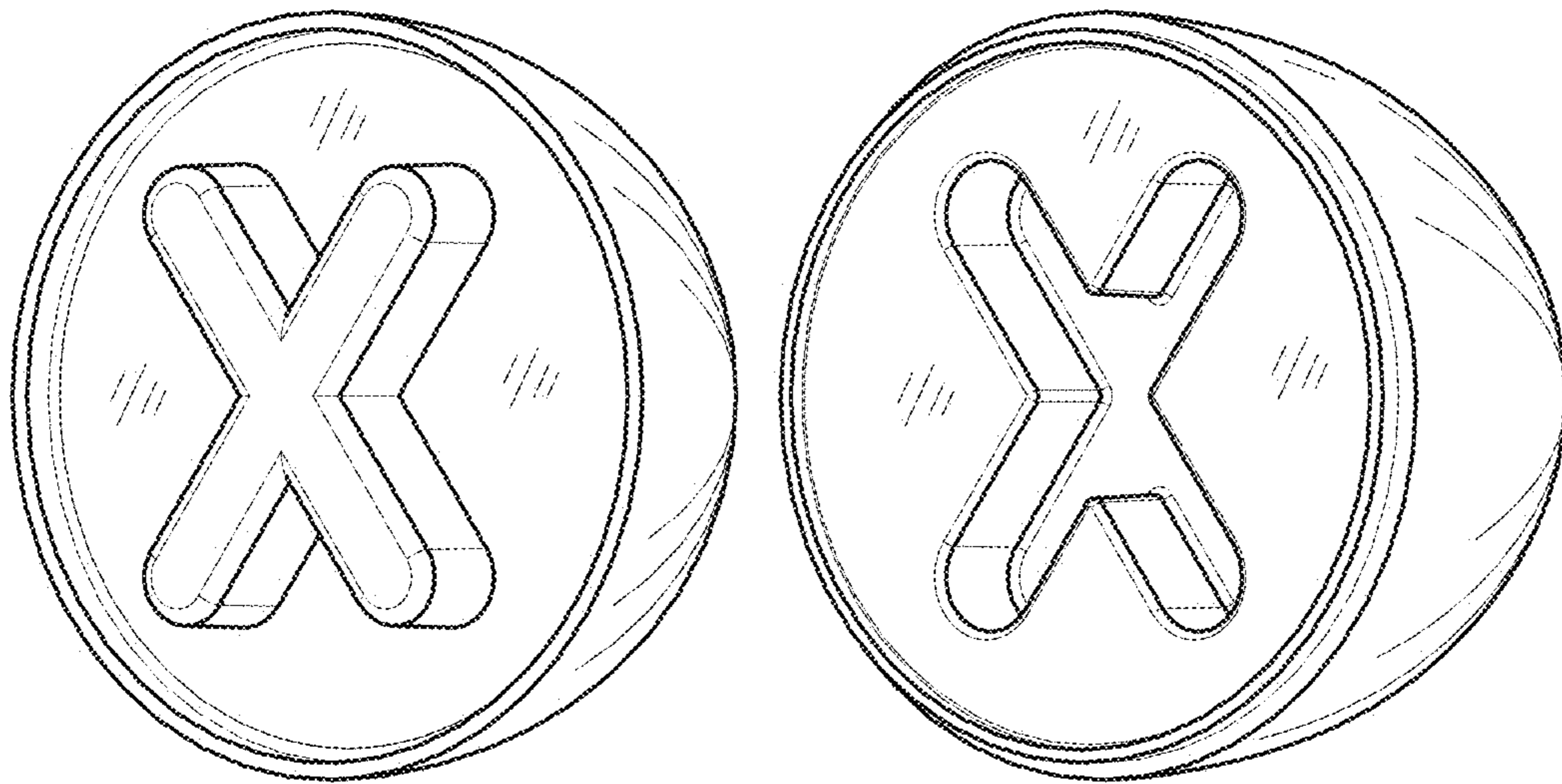


Fig. 62

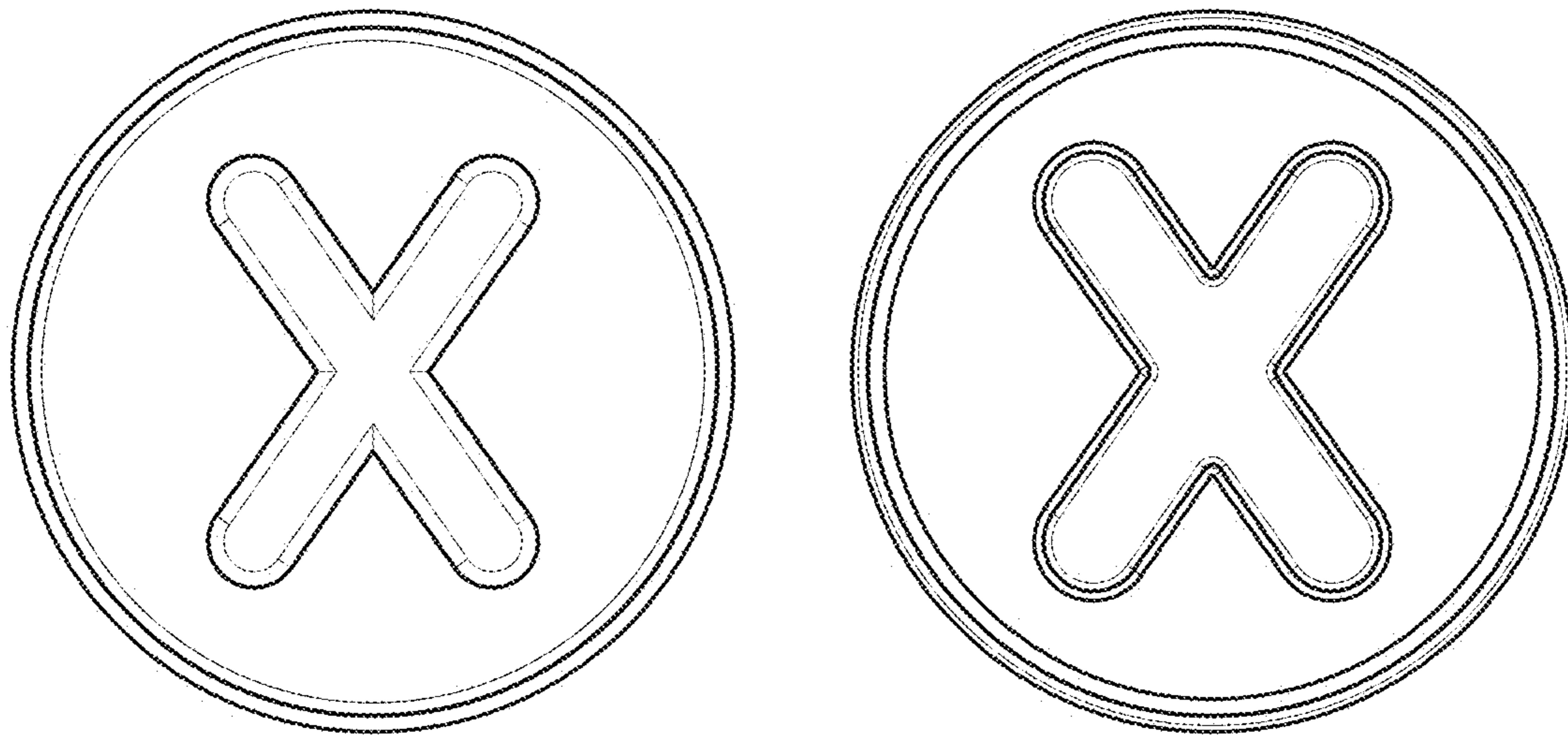


Fig. 63

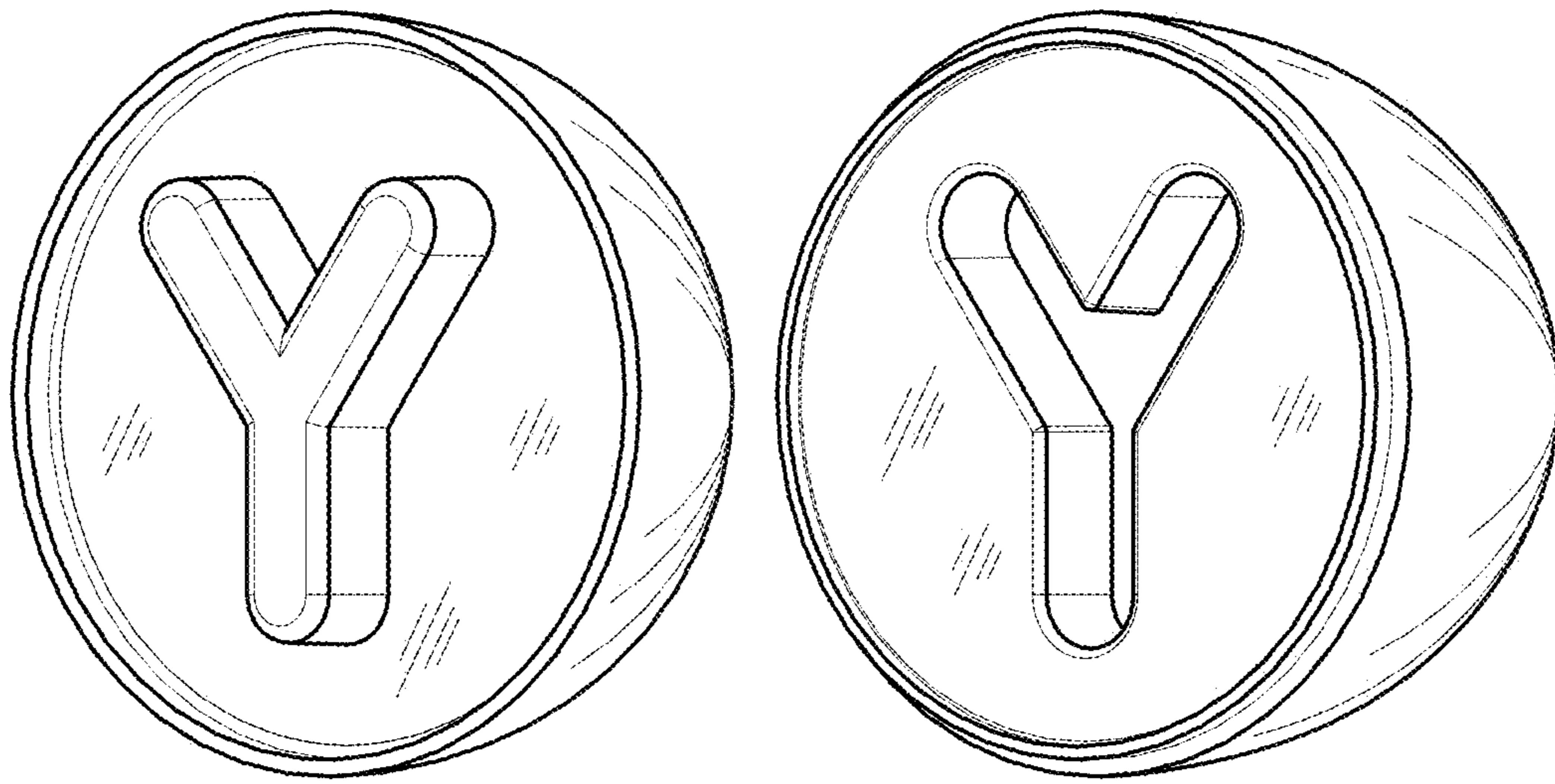


Fig. 64

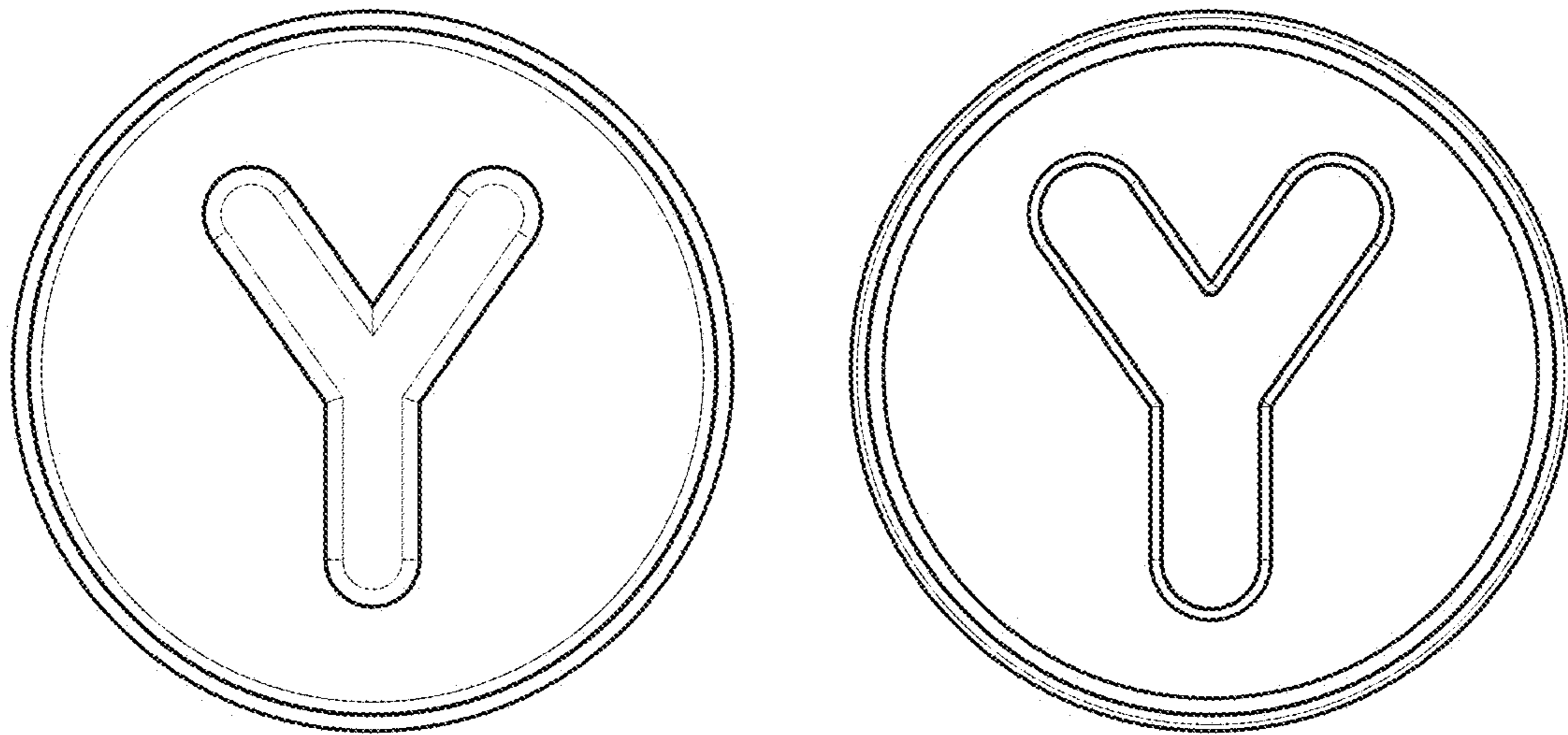


Fig. 65

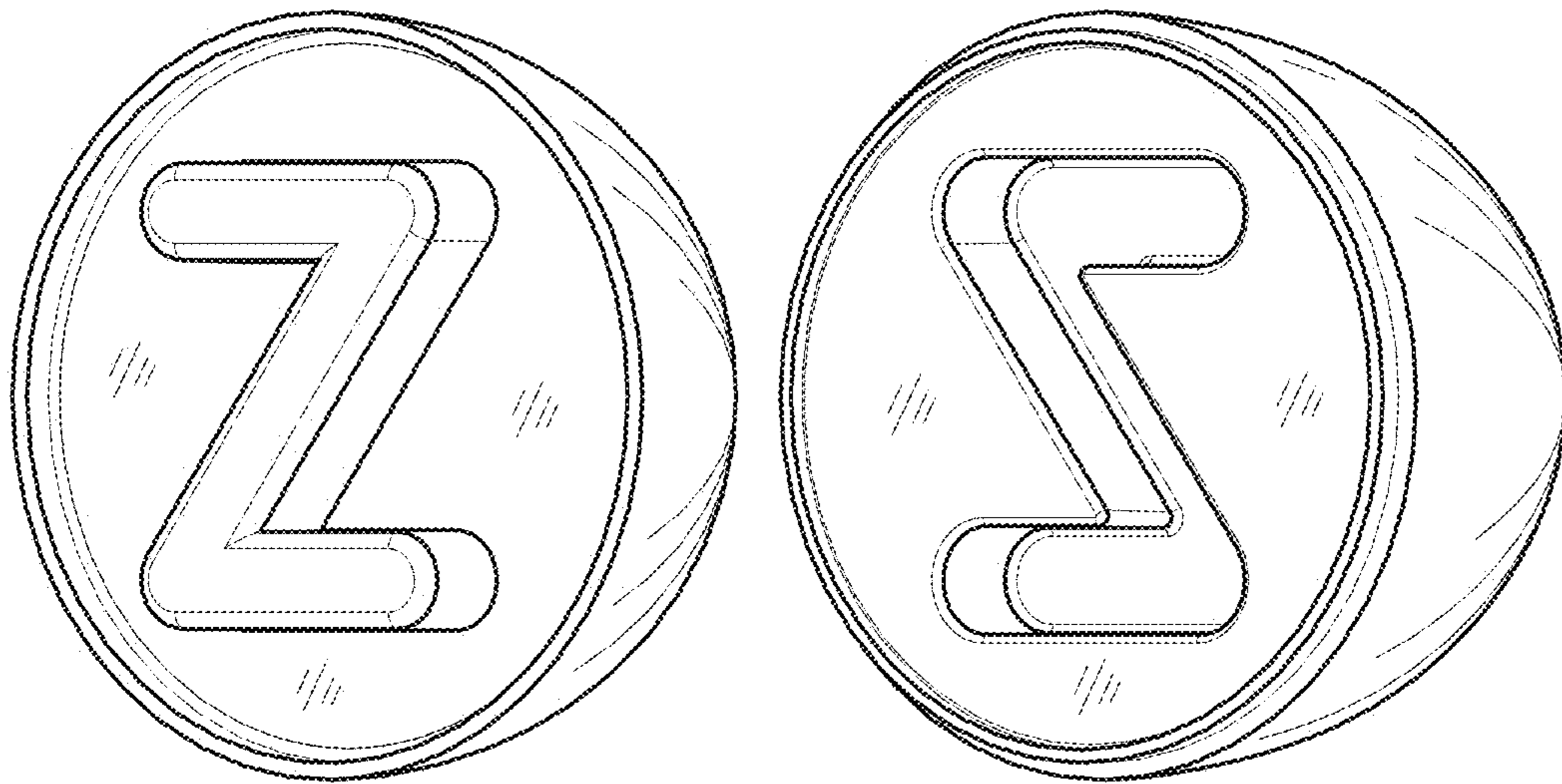


Fig. 66

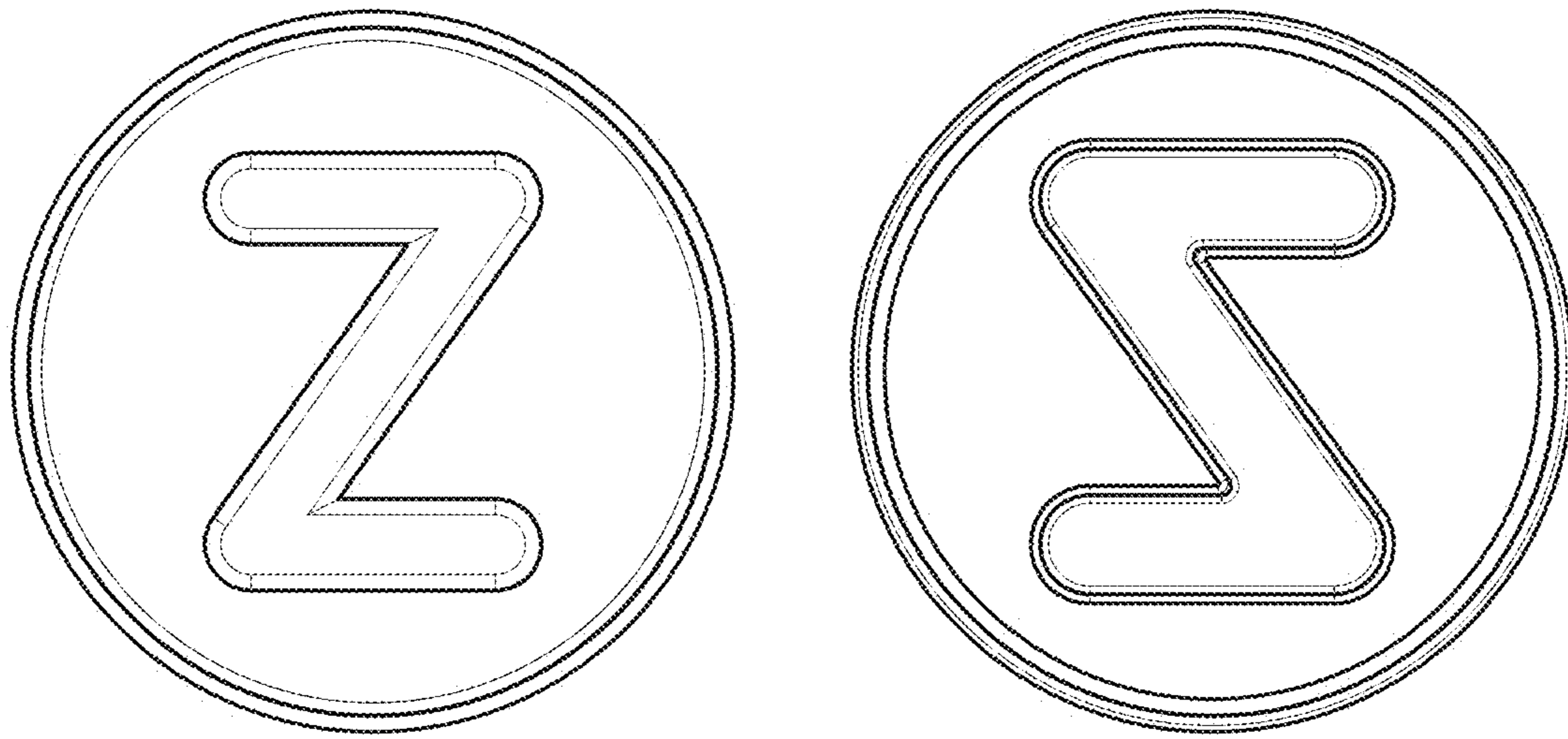


Fig. 67