



US00D919700S

(12) **United States Design Patent**
Takeda et al.

(10) **Patent No.:** **US D919,700 S**
(45) **Date of Patent:** **** May 18, 2021**

(54) **THERMAL HEAD FOR A PRINTER**

FOREIGN PATENT DOCUMENTS

(71) Applicants: **SATO HOLDINGS KABUSHIKI KAISHA**, Tokyo (JP); **KYOCERA Corporation**, Kyoto (JP)

EP 0 765 761 A1 4/1997
EP 1 914 083 A1 4/2008
(Continued)

(72) Inventors: **Yasuhide Takeda**, Saitama (JP);
Kazuya Shindo, Kirishima (JP)

OTHER PUBLICATIONS

(73) Assignees: **SATO HOLDINGS KABUSHIKI KAISHA**, Tokyo (JP); **KYOCERA CORPORATION**, Kyoto (JP)

Kyocera Avery Monarch KPA-104-8TAW1-MM1 Thermal Label Printer Print Head, posted NA [online], (retrieved Feb. 4, 2021). Retrieved from the internet, <https://www.ebay.com/c/1451731436?iid=313285433051> (Year: NA).*

(**) Term: **15 Years**

(Continued)

(21) Appl. No.: **29/731,950**

Primary Examiner — Kevin K Rudzinski

Assistant Examiner — J. Thorn, Sr.

(22) Filed: **Apr. 20, 2020**

(74) *Attorney, Agent, or Firm* — Foley & Lardner LLP

Related U.S. Application Data

(62) Division of application No. 29/659,475, filed on Aug. 9, 2018, now Pat. No. Des. 910,746.

(51) **LOC (13) Cl.** **14-02**

(52) **U.S. Cl.**
USPC **D18/56**

(58) **Field of Classification Search**
USPC D18/56; D13/147
CPC B41J 11/02; B41J 11/04; B41J 2/1721;
G11B 33/12

See application file for complete search history.

(57) **CLAIM**

We claim the ornamental design for a thermal head for a printer, as shown and described.

DESCRIPTION

FIG. 1 is a rear perspective view of the claimed design; FIG. 2 is a front perspective view of the claimed design of FIG. 1; FIG. 3 is a bottom perspective view of the claimed design of FIG. 1; FIG. 4 is a top view of the claimed design of FIG. 1; FIG. 5 is a bottom view of the claimed design of FIG. 1; FIG. 6 is a left side view of the claimed design of FIG. 1; FIG. 7 is a right side view of the claimed design of FIG. 1; FIG. 8 is a rear view of the claimed design of FIG. 1; and, FIG. 9 is a front view of the claimed design of FIG. 1. The broken lines shown in the drawings depict portions of the thermal head for a printer that form no part of the claimed design.

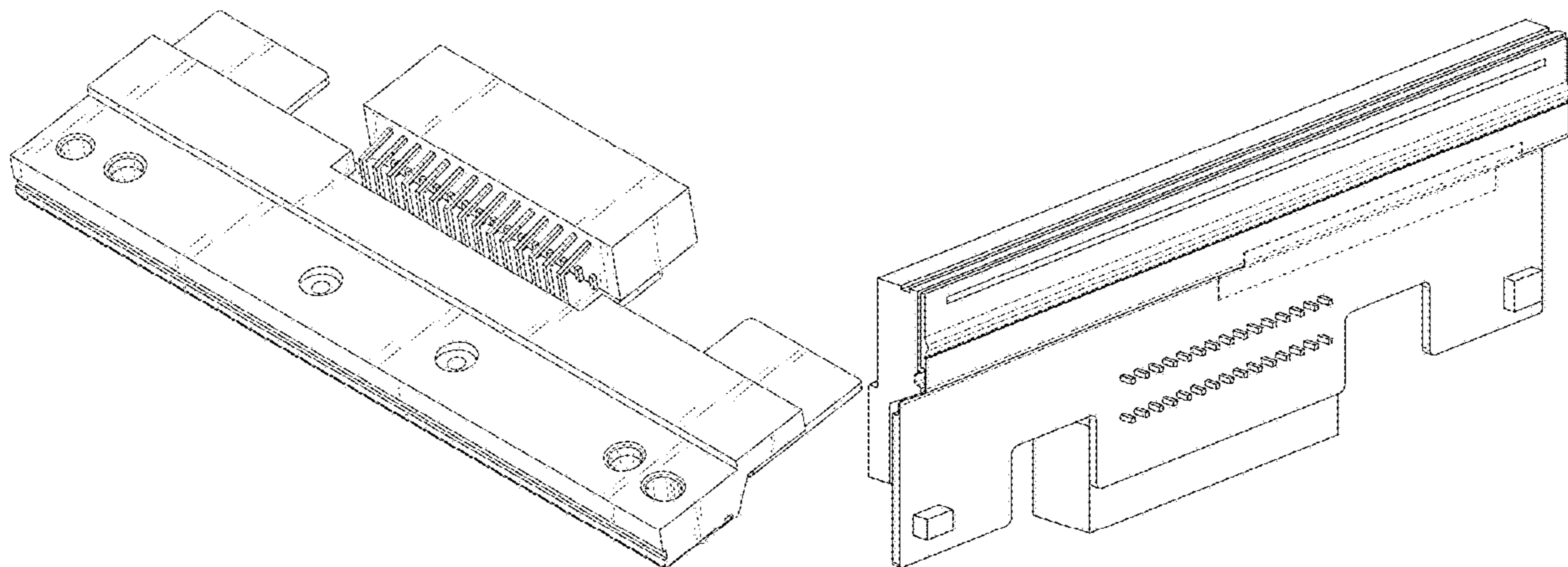
(56) **References Cited**

U.S. PATENT DOCUMENTS

D280,109 S 8/1985 Lewis
5,366,302 A 11/1994 Masumura et al.
5,565,905 A ‡ 10/1996 Kajiya B41J 13/10
347/19
D375,975 S 11/1996 Koizumi et al.
5,694,159 A 12/1997 Kajiya et al.

(Continued)

1 Claim, 8 Drawing Sheets



(56)

References Cited

OTHER PUBLICATIONS

U.S. PATENT DOCUMENTS

5,779,371 A 7/1998 Aoyama et al.
 D410,949 S * 6/1999 Fowkes 347/86
 D433,237 S 11/2000 Katz et al.
 D434,909 S 12/2000 Seltzer
 6,307,580 B1 * 10/2001 Yoshikawa B41J 2/345
 345/691
 D465,772 S 11/2002 Poulter et al.
 D542,344 S 5/2007 Duby et al.
 7,399,130 B2 7/2008 Hirte et al.
 D621,060 S 8/2010 Handique
 8,068,127 B2 11/2011 Ochiai et al.
 D652,446 S 1/2012 Brady et al.
 D653,284 S 1/2012 Amidon et al.
 D689,439 S * 9/2013 Yu D13/147
 8,564,633 B2 10/2013 Matsushima et al.
 8,610,752 B2 12/2013 Tsugaru
 D733,056 S * 6/2015 Yuan D13/147
 D753,073 S 4/2016 Sponring
 D757,666 S 5/2016 Yokoo
 9,662,900 B1 * 5/2017 Liu B41J 2/3558
 D798,822 S 10/2017 Jiang et al.
 D843,334 S 3/2019 Takebayashi et al.
 D846,955 S 4/2019 Ray et al.
 D849,690 S * 5/2019 Luo D13/147
 D859,317 S * 9/2019 Huang D13/147
 10,442,222 B2 10/2019 Hoshi
 10,479,107 B2 11/2019 Hoshi
 D873,341 S * 1/2020 Horikawa D18/43
 D875,056 S 2/2020 Qi
 D901,390 S * 11/2020 Ma D13/147
 2001/0005216 A1 6/2001 Takahashi et al.
 2002/0033874 A1 * 3/2002 Aubin B41J 25/316
 347/197
 2002/0048479 A1 ‡ 4/2002 Bryant B41J 2/325
 400/24
 2002/0163204 A1 11/2002 Singleton et al.
 2003/0146968 A1 ‡ 8/2003 Milton B41J 3/4075
 347/19
 2008/0094463 A1 4/2008 Tsuchida et al.
 2011/0193926 A1 8/2011 Matsushima et al.
 2011/0193927 A1 8/2011 Matsushima et al.
 2012/0212562 A1 ‡ 8/2012 Tsugaru B41J 29/13
 347/22
 2016/0347093 A1 12/2016 Ogasawara et al.
 2018/0186155 A1 ‡ 7/2018 Hoshi B41J 2/33575
 2019/0039393 A1 2/2019 Hoshi
 2019/0126645 A1 5/2019 Hoshi
 2019/0299679 A1 10/2019 Ushiana

FOREIGN PATENT DOCUMENTS

EP 2 641 745 A1 9/2013
 JP 57-088131 U 5/1982
 JP 57-088131 U ‡ 5/1982
 JP 07-081179 A 3/1995
 JP 07-256977 A 10/1995
 JP 07-256977 A ‡ 10/1995
 JP 2989024 B2 12/1999
 JP 2003-220722 A 8/2003
 JP 2003-220722 A ‡ 8/2003
 JP 2006-334952 A 12/2006
 JP 2006-334952 A ‡ 12/2006
 JP 2006-334953 A 12/2006
 JP 2007-136931 A ‡ 6/2007
 JP 2007-136931 A 6/2007
 JP 2012-171114 A ‡ 9/2012
 JP 2012-171114 A 9/2012
 JP 2014-133364 A ‡ 7/2014
 JP 2014-133364 A 7/2014
 WO WO-2018/051767 A1 ‡ 3/2018
 WO WO-2018/051769 A1 ‡ 3/2018
 WO WO-2018/051770 A1 ‡ 3/2018
 WO WO-2018/051771 A1 ‡ 3/2018

U.S. Appl. No. 15/759,383, filed Mar. 12, 2018.‡
 U.S. Appl. No. 29/638,654, filed Feb. 28, 2018.‡
 U.S. Appl. No. 15/907,890, filed Feb. 28, 2018.‡
 U.S. Appl. No. 15/759,331, filed Mar. 12, 2018.‡
 U.S. Appl. No. 15/759,337, filed Mar. 12, 2018.‡
 U.S. Appl. No. 15/759,061, filed Mar. 9, 2018.‡
 U.S. Appl. No. 29/731,950.‡
 U.S. Appl. No. 29/735,163.‡
 European Search Report, Application No. 17850674.7, dated Jul. 30, 2019. 8 pages
 European Search Report, Application No. 17850675.4, dated Jul. 16, 2019, 9 pages.‡
 European Search Report, Application No. 17850671.3, dated Jul. 30, 2019. 11 pages.‡
 USPTO Notice of Allowance, U.S. Appl. No. 29/659,475, dated Oct. 20, 2020, 7 pages.
 Japanese Office Action and English Translation, Application No. 2018-539603, dated Oct. 27, 2020, 10 pages.
 Japanese Office Action and English Translation, Application No. 2018-539605, dated Nov. 4, 2020, 6 pages.
 Japanese Office Action and English Translation, Application No. 2018-539606, dated Oct. 20, 2020, 6 pages.
 Japanese Office Action and English Translation, Application No. 2018-539607, dated Nov. 4, 2020, 4 pages.
 How to install a PCI or PCI-Express expansion card, by lowendguru, dated Aug. 5, 2014, youtube.com [online]. Retrieved Aug. 2, 2020 from internet <URL:https://www.youtube.com/watch?time_continue=22&v=p9pTv1S5gsw&feature=emb_logo> (Year: 2014).
 HP300312A-G02 16 pins SHEC C56 Thermal Head for Taico Printer, dated Dec. 16, 2017, printhead-barcode.com [online]. Retrieved Aug. 2, 2020 from the internet <URL:http://www.primthead-barcode.com/index.php?main_page=product_info&products_id=2965>(Year: 2017).
 Notice of Allowance, U.S. Appl. No. 15/907,890, dated Aug. 11, 2020, 14 pages.
 USPTO Office Action, U.S. Appl. No. 16/607,427, dated Aug. 7, 2020, 18 pages.
 USPTO Office Action, U.S. Appl. No. 29/638,654, dated Aug. 6, 2020, 27 pages.
 U.S. Appl. No. 15/759,061, filed Mar. 9, 2018, Kazuyuki Hoshi et al.
 U.S. Appl. No. 15/759,331, filed Mar. 12, 2018, Kazuyuki Hoshi et al.
 U.S. Appl. No. 15/759,337, filed Mar. 12, 2018, Kazuyuki Hoshi et al.
 U.S. Appl. No. 15/759,383, filed Mar. 12, 2018, Kazuyuki Hoshi et al.
 U.S. Appl. No. 15/907,890, filed Feb. 28, 2018, Kazuyuki Hoshi et al.
 U.S. Appl. No. 16/607,427, filed Oct. 23, 2019, Sato Holdings Kabushiki Kaisha.
 U.S. Appl. No. 29/638,654, filed Feb. 28, 2018, Kazuyuki Hoshi et al.
 Chinese Office Action and English translation, Application No. 201780055650.8, dated Mar. 3, 2020, 13 pages.
 Chinese Office Action, Application No. 201780045890.X, dated Jan. 2, 2020, 7 pages.
 Chinese Office Action, Application No. 201780045900.X, dated Jan. 2, 2020, 7 pages.
 Chinese Office Action, Application No. 201780045904.8, dated Dec. 26, 2019, 6 pages.
 European Office Action, Application No. 17 850 671.3, dated Mar. 18, 2020, 6 pages.
 European Office Action, Application No. 17 850 674.7, dated Mar. 18, 2020, 5 pages.
 European Search Report, Application No. 17850673.9, dated Jul. 9, 2019, 8 pages.
 European Search Report, Application No. 17850674.7, dated Jul. 30, 2019, 8 pages.
 European Search Report, Application No. 17850675.4, dated Jul. 16, 2019, 9 pages.

(56)

References Cited

OTHER PUBLICATIONS

Google translation of JP 2006-334953, published on Dec. 2006. (Year: 2006).

Google translation of JP 2007-136931, published on Jun. 2007, 5 pages.

Human English Translation of JP 2006-334952, 39 pages.

Machine-generated translation of JP 2006-334952, published on Dec. 2006, 17 pages.

Notice of Allowance, U.S. Appl. No. 15/759,061, dated Jan. 15, 2020, 12 pages.

USPTO Notice of Allowance, U.S. Appl. No. 15/759,061, dated Jan. 24, 2019, 15 pages.

USPTO Notice of Allowance, U.S. Appl. No. 15/759,061, dated Nov. 13, 2019, 13 pages.

USPTO Notice of Allowance, U.S. Appl. No. 15/759,331, dated Jan. 31, 2019, 13 pages.

USPTO Notice of Allowance, U.S. Appl. No. 15/759,331, dated May 8, 2019, 21 pages.

USPTO Notice of Allowance, U.S. Appl. No. 15/759,337, dated Jul. 15, 2019, 9 pages.

USPTO Notice of Allowance, U.S. Appl. No. 15/759,383 dated Dec. 3, 2019, 9 pages.

USPTO Office Action, U.S. Appl. No. 15/759,061, dated May 7, 2019, 14 pages.

USPTO Office Action, U.S. Appl. No. 15/759,337, dated Apr. 10, 2019, 11 pages.

USPTO Office Action, U.S. Appl. No. 15/759,383, dated Jan. 13, 2020, 6 pages.

USPTO Office Action, U.S. Appl. No. 15/759,383, dated Jul. 23, 2019, 12 pages.

USPTO Office Action, U.S. Appl. No. 15/759,383, dated Apr. 12, 2019, 12 pages.

USPTO Office Action, U.S. Appl. No. 15/907,890, dated Aug. 7, 2019, 16 pages.

USPTO Restriction Office Action, U.S. Appl. No. 29/659,475, dated Feb. 20, 2020, 14 pages.

IBM aCard IDE to LVD-SCSi Bridge Adapter, posted 2010, retrieved Jun. 20, 2020 from <https://www.amazon.com/aCard-LVD-SCSi-Bridge-Adapter-AEC-7722/dp/B00BNHQ3BE/ref=V4ASHR022K3H&dchild=1&keyword=>.

USPTO Office Action, U.S. Appl. No. 29/659,475, dated Jun. 25, 2020, 10 pages.

U.S. Appl. No. 29/735,163, filed May 19, 2020, Hoshi et al.

Notice of Allowance, U.S. Appl. No. 15/759,383, dated May 5, 2020, 9 pages.

Notice of Allowance, U.S. Appl. No. 16/607,427, dated Nov. 25, 2020, 11 pages.

USPTO Office Action, U.S. Appl. No. 29/638,654, dated Feb. 9, 2021, 11 pages.

Extended European Search Report Issued in European Patent Application No. 18907605.2 dated Feb. 25, 2021, 7 pages.

* cited by examiner

‡ imported from a related application

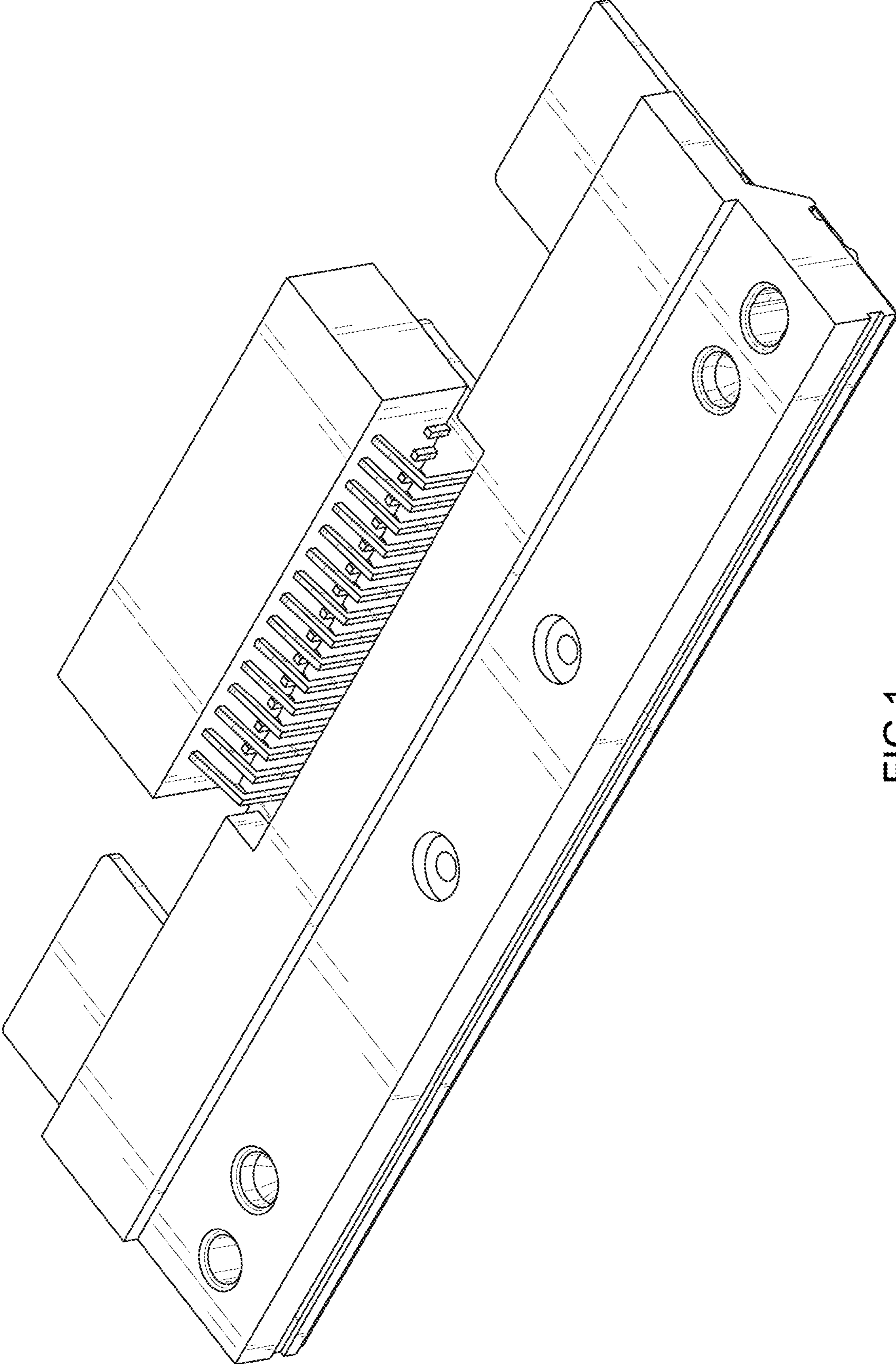


FIG 1

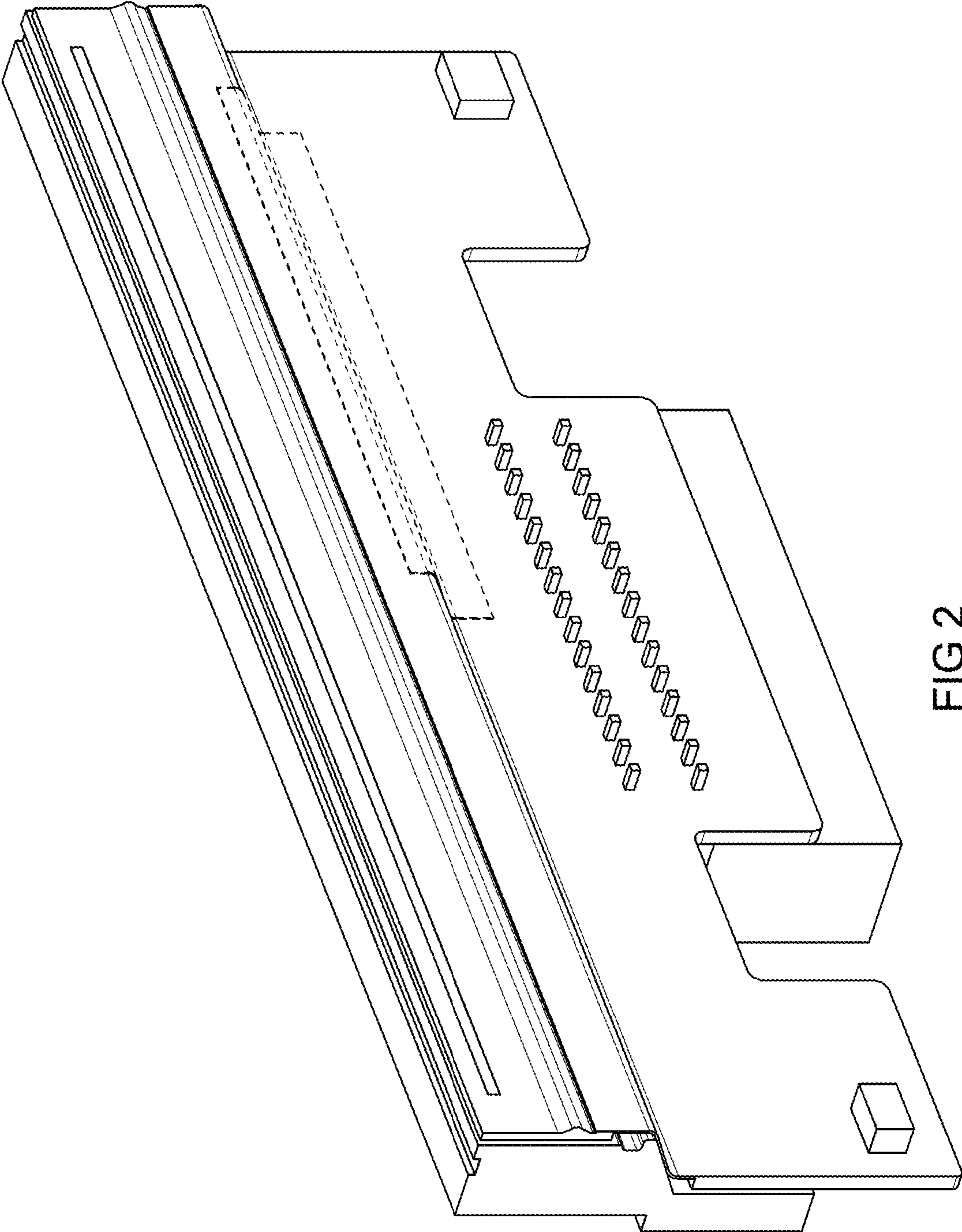


FIG 2

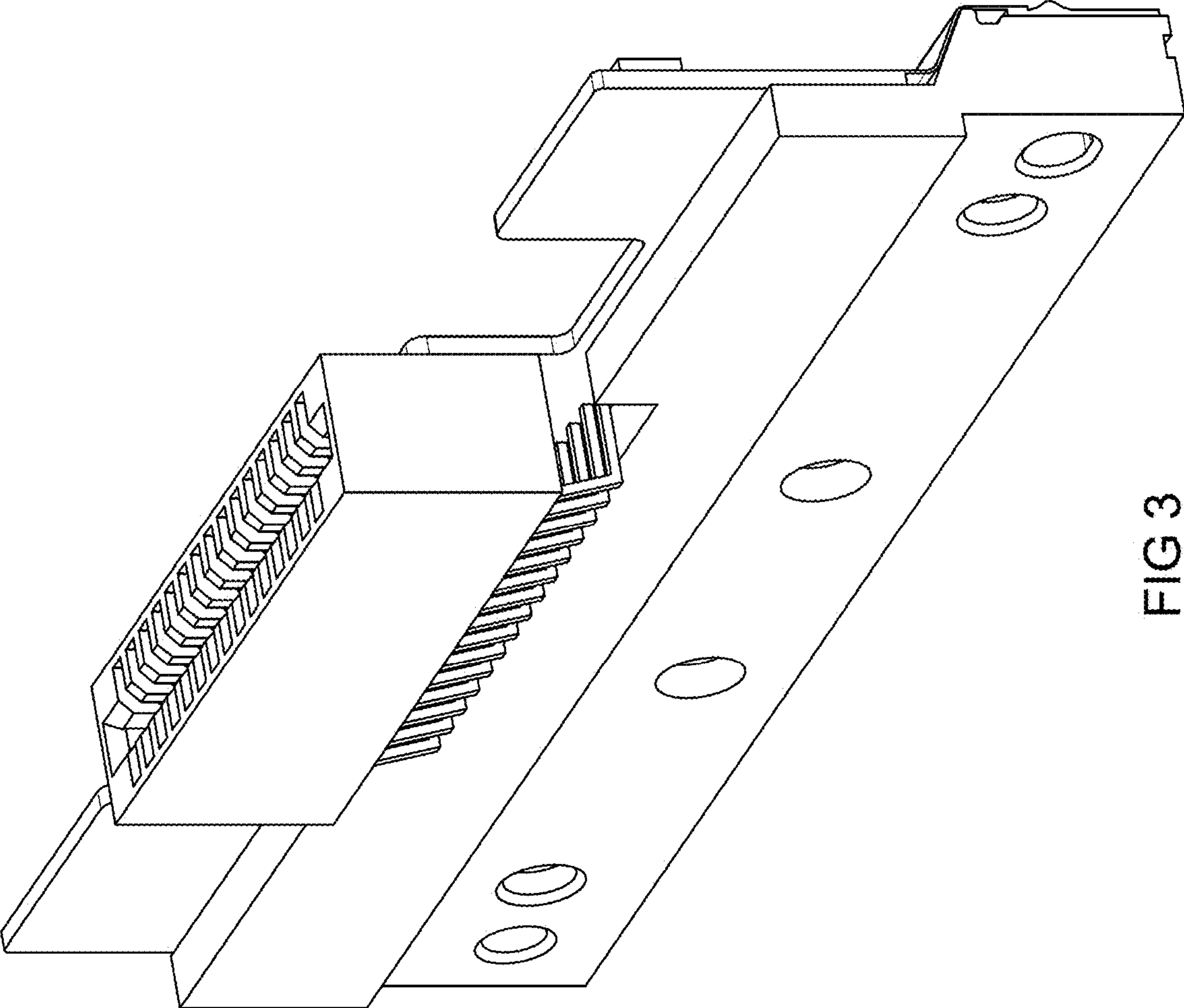


FIG 3

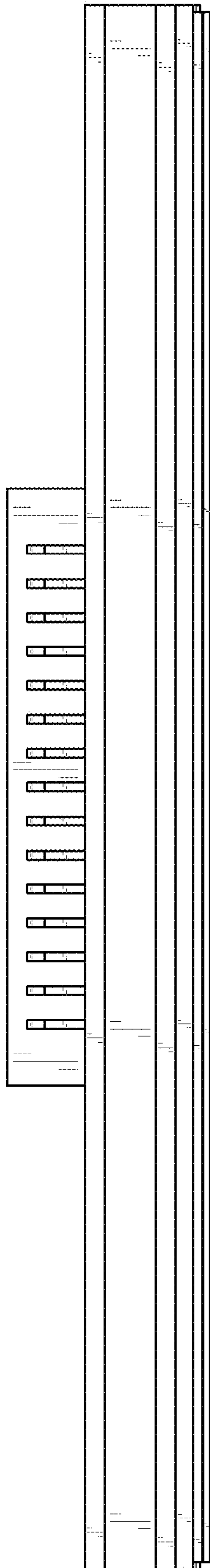


FIG 4

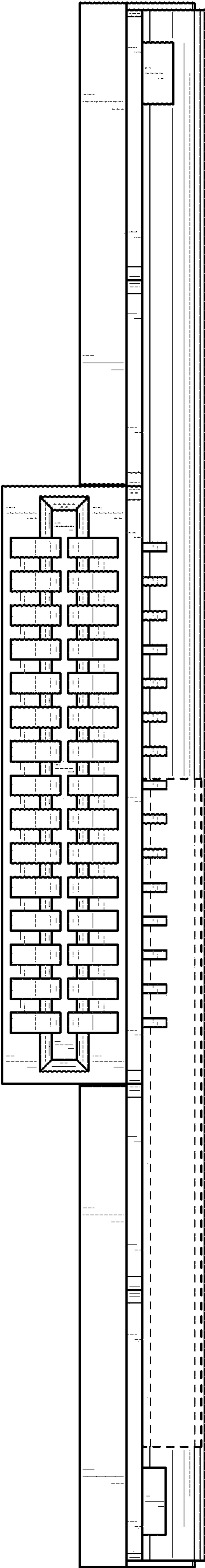


FIG 5

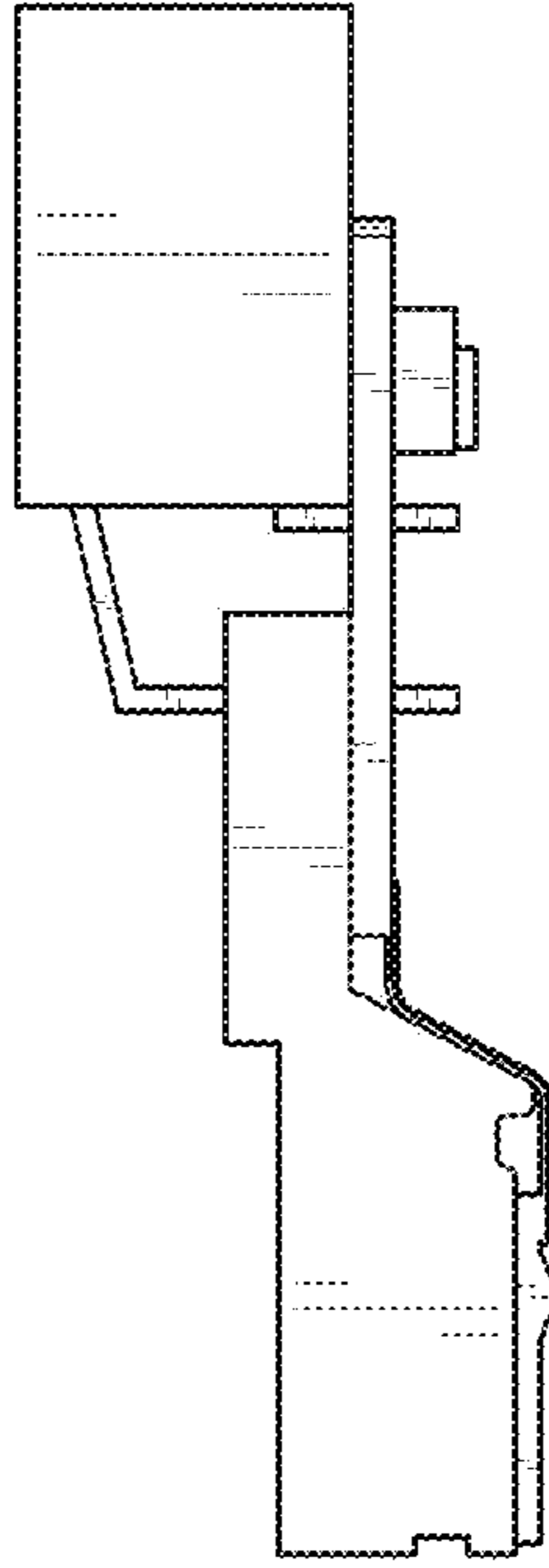


FIG 7

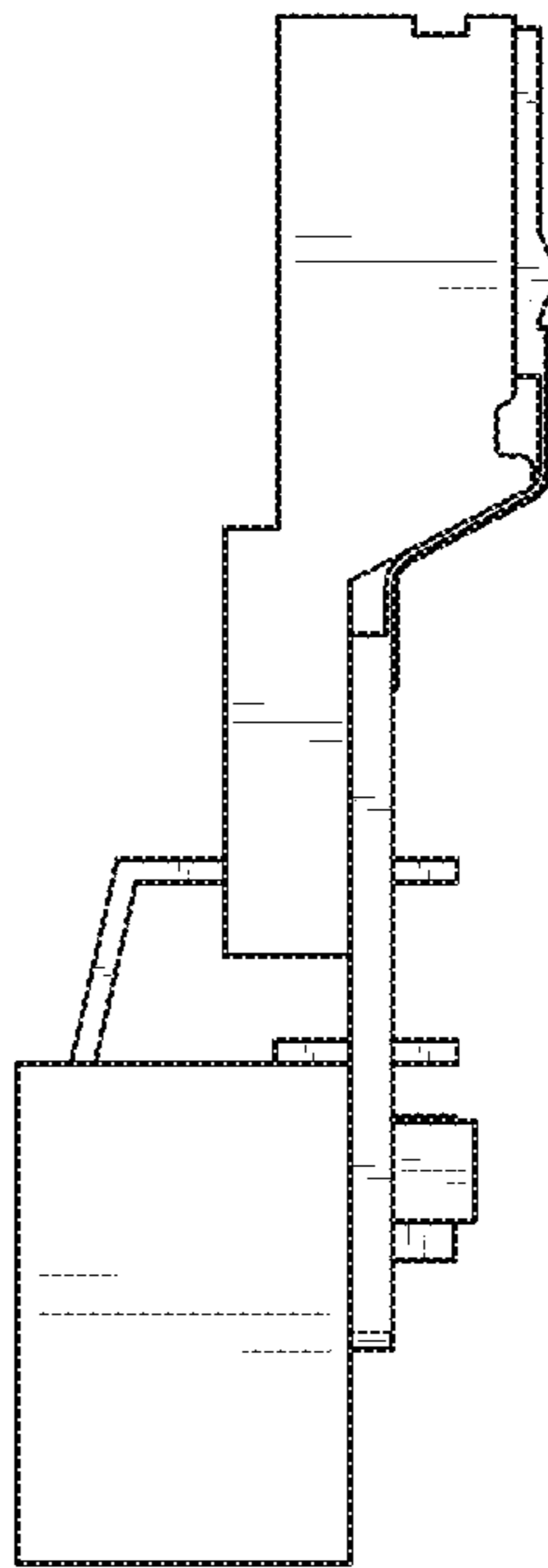


FIG 6

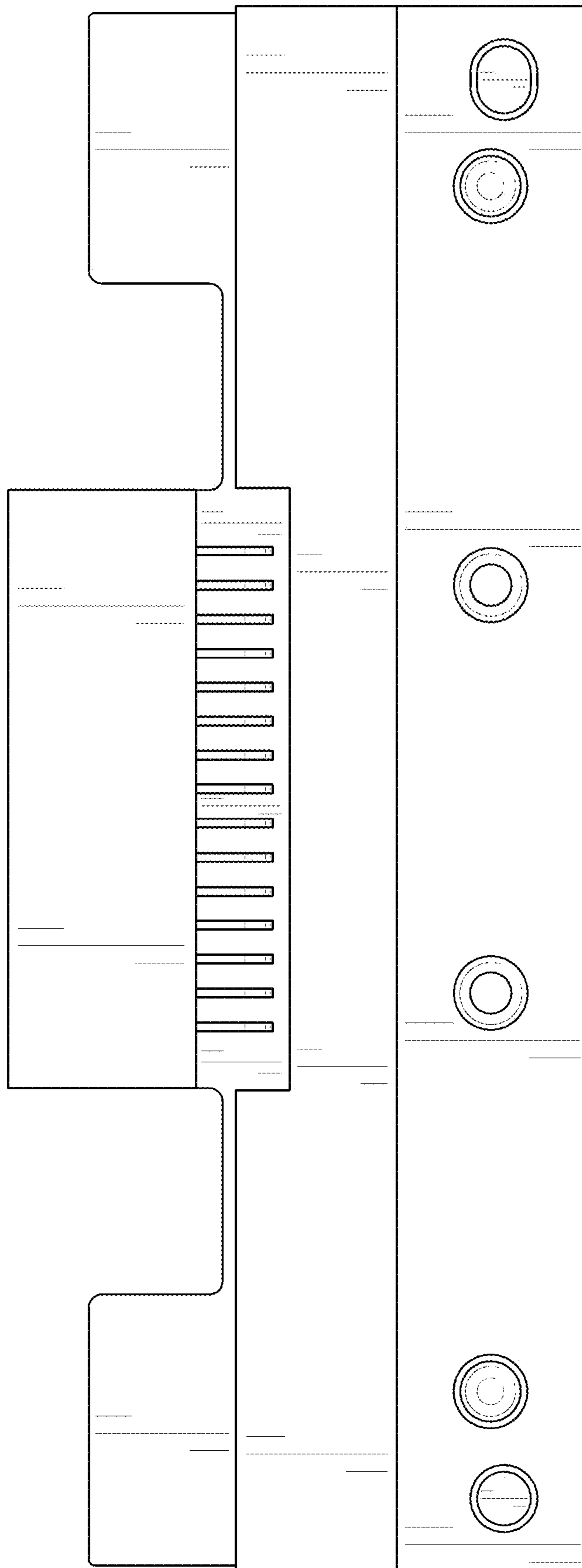


FIG 8

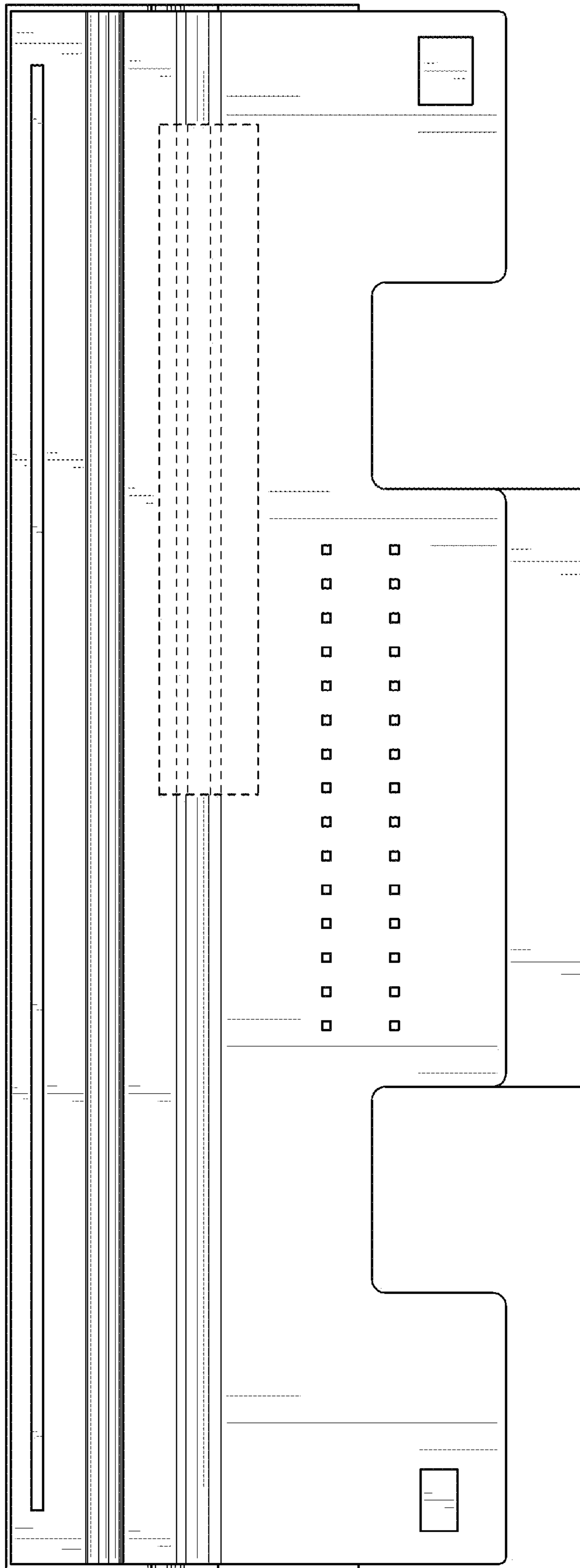


FIG 9