



US00D919699S

(12) **United States Design Patent** (10) **Patent No.:** **US D919,699 S**
Fuhs et al. (45) **Date of Patent:** **** May 18, 2021**

(54) **TERMINAL**

(71) Applicant: **Clover Network, Inc.**, Sunnyvale, CA (US)

(72) Inventors: **Eric David Fuhs**, Sunnyvale, CA (US); **Vincent Durieux**, Campbell, CA (US); **John Daniel Beatty**, Emerald Hills, CA (US); **Sam Niansheng Qiu**, Mountain View, CA (US); **Siva Raja Sekhar Reddy Yeruva**, Menlo Park, CA (US); **Christopher Loew**, Palo Alto, CA (US); **David Frederick Lyons**, Palo Alto, CA (US)

(73) Assignee: **Clover Network, Inc.**, Sunnyvale, CA (US)

(**) Term: **15 Years**

(21) Appl. No.: **29/698,372**

(22) Filed: **Jul. 16, 2019**

(51) **LOC (13) Cl.** **18-01**

(52) **U.S. Cl.**
USPC **D18/4.6; D14/387**

(58) **Field of Classification Search**

USPC D18/4.4, 4.5, 4.6, 2, 11, 50, 14, 19-21, D18/54, 54.1, 99, 4.1, 4.3; D10/46, 61, D10/62, 70, 104.1, 104.2, 106.2, 106.6, D10/65, 66; D20/1, 8, 9, 10; D14/496, D14/299, 338, 339, 341, 346, 383, 385, D14/386, 440, 507, 137, 138 R, 138 AA, D14/138 G, 126, 129, 336, 371, 125, 387; D99/28, 43

CPC H04W 8/22; H04W 52/0225; H04W 52/0254; G06Q 20/00; G06Q 20/08; G06Q 20/18; G06Q 20/20; G06Q 20/204; G07F 7/0873; G07F 7/088; G07F 7/0886; G07F 7/0893; G07F 7/025

See application file for complete search history.

(56) **References Cited**

U.S. PATENT DOCUMENTS

D220,188 S	3/1971	Kalvitis	
D232,055 S	7/1974	Frick	
D321,172 S *	10/1991	Moore, IV	D14/389
D338,452 S *	8/1993	Allgeier	D14/374
D345,966 S *	4/1994	Perez	D18/4.5
D360,196 S	7/1995	Cox et al.	
D364,386 S *	11/1995	Bramlett	D14/387
D381,675 S *	7/1997	Droege	D18/4.6
D384,095 S *	9/1997	Coveley	D18/4.6
D393,479 S *	4/1998	Droege	D18/4.6
D414,163 S *	9/1999	Hesselbach	D14/387
D442,212 S	5/2001	Ota	
D447,136 S *	8/2001	Groves	D14/336
D458,255 S	6/2002	Hsu	
D466,551 S	12/2002	Nagai	
D491,219 S	6/2004	Shimamura	

(Continued)

Primary Examiner — Marie D. Fast Horse

(74) *Attorney, Agent, or Firm* — Daylight Law, P.C.

(57) **CLAIM**

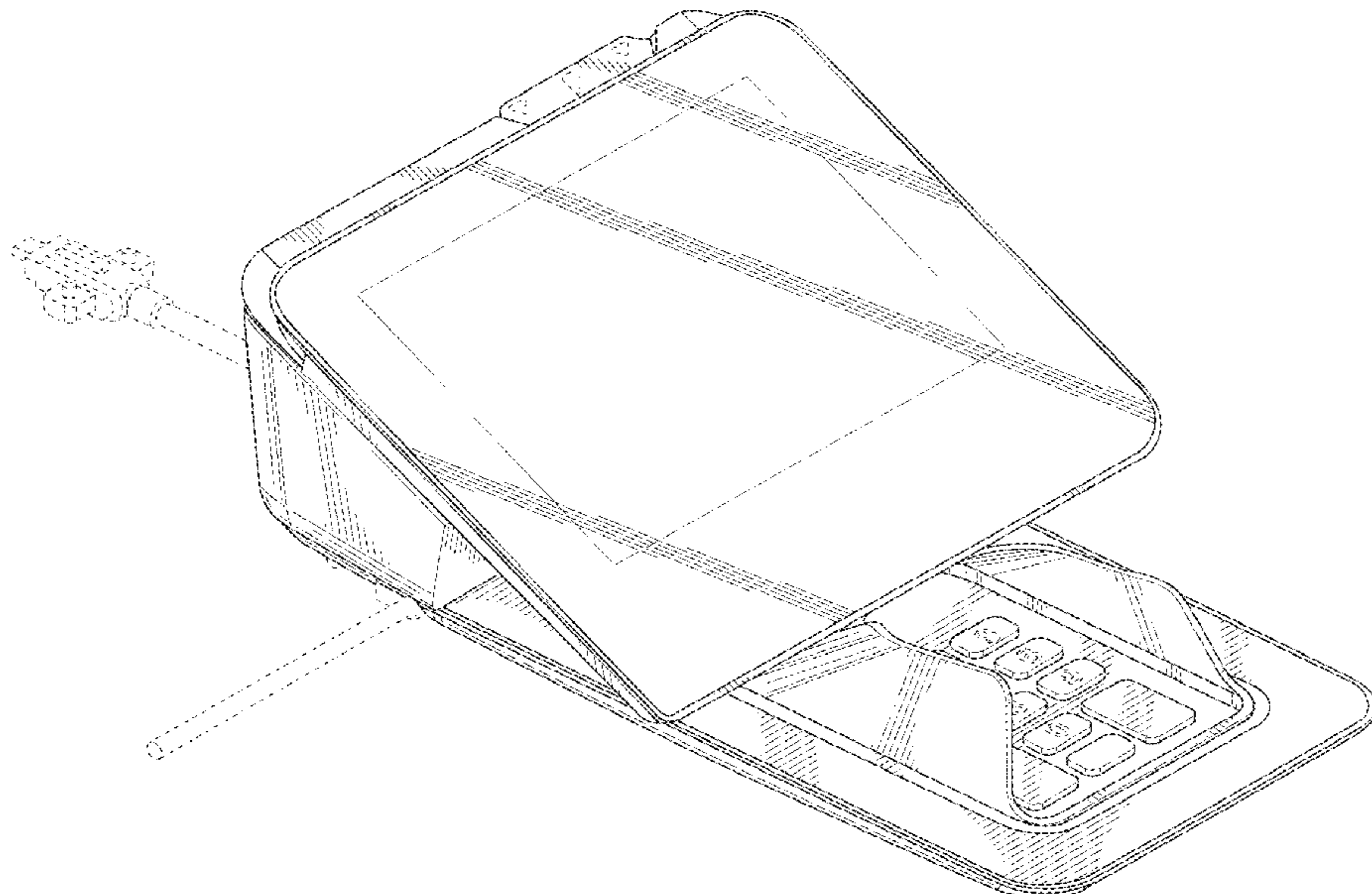
The ornamental design for a terminal, as shown and described.

DESCRIPTION

FIG. 1 is a top-left perspective view of a terminal showing our new design;
 FIG. 2 is a front view thereof;
 FIG. 3 is a back view thereof;
 FIG. 4 is a left-side view thereof;
 FIG. 5 is a right-side view thereof;
 FIG. 6 is a top view thereof; and,
 FIG. 7 is a bottom view thereof.

The broken lines showing the cables depict unclaimed environment and form no part of the claim, while all other broken lines depict portions of the terminal that form no part of the claimed design.

1 Claim, 5 Drawing Sheets



(56)

References Cited

U.S. PATENT DOCUMENTS

D504,147 S *	4/2005	Slinckx	D18/4.6	D759,748 S *	6/2016	Beatty	D18/14
D507,592 S *	7/2005	Mizusugi	D18/4.1	D761,350 S *	7/2016	Beatty	D18/12
D525,282 S	7/2006	Barnes et al.			9,482,382 B2 *	11/2016	Olsen	F16M 11/10
D526,002 S	8/2006	Nakajima et al.			D778,982 S	2/2017	Beatty et al.		
D554,694 S *	11/2007	Slinckx	D18/4.4	D791,223 S *	7/2017	Blanc	D18/4.6
D558,262 S	12/2007	Hong et al.			D798,378 S *	9/2017	Kim	D18/4.6
D587,296 S *	2/2009	Kuramochi	D18/4.5	D810,817 S *	2/2018	Wang	D18/4.6
D589,048 S *	3/2009	Nosseck	D14/455	D823,935 S *	7/2018	Wang	D18/4.6
D591,303 S	4/2009	Heggland et al.			D831,106 S *	10/2018	Saeed	D18/4.5
D621,834 S *	8/2010	Kinno	D14/383	D844,010 S *	3/2019	Owens	D14/434
D637,595 S	5/2011	Mizusugi			D844,046 S *	3/2019	Yeruva	D18/4.5
D641,776 S *	7/2011	Race	D18/4.6	D851,697 S *	6/2019	Qiu	D18/4.6
D647,898 S	11/2011	Haller et al.			D857,791 S *	8/2019	Luo	D18/4.4
D674,838 S	1/2013	Kano et al.			D872,171 S *	1/2020	Luo	D18/4.4
D686,654 S *	7/2013	Kim	D18/4.6	D883,373 S *	5/2020	Sorio	D18/4.4
D687,832 S *	8/2013	Edwards	D14/447	10,726,681 B1 *	7/2020	Durieux	G06Q 20/18
D702,237 S	4/2014	Oberpriller et al.			D907,696 S *	1/2021	Chau	D18/4.6
D708,618 S	7/2014	Romanoff et al.			D909,469 S *	2/2021	Watanabe	D18/4.6
D720,000 S *	12/2014	Lyons	D18/4.5	2013/0117150 A1 *	5/2013	Aliaga	G06Q 30/02 705/26.8
					2017/0140615 A1 *	5/2017	Larnac	G06Q 20/20
					2020/0342433 A1 *	10/2020	Yasutomi	G06Q 20/204

* cited by examiner

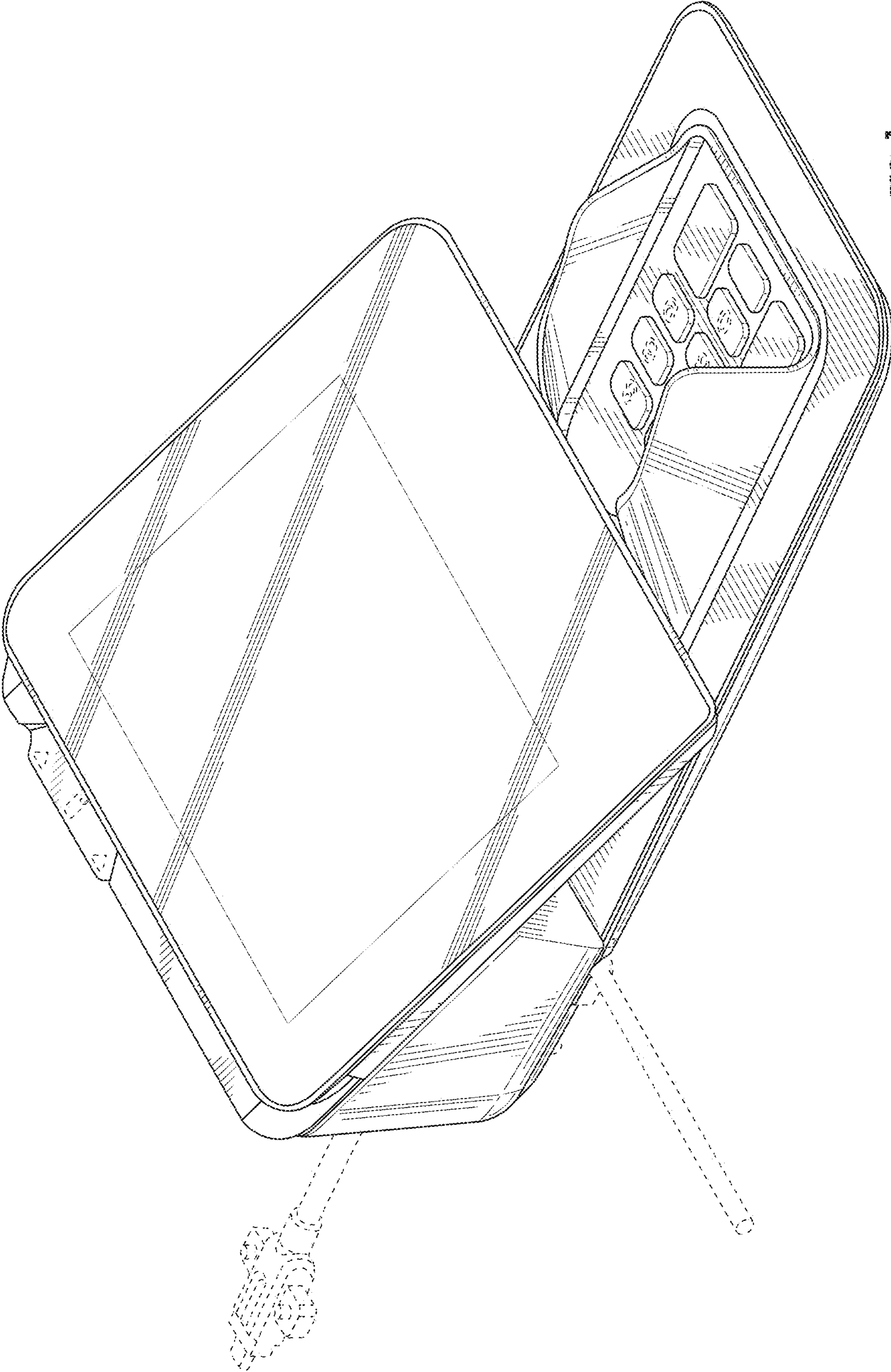


FIG. 1

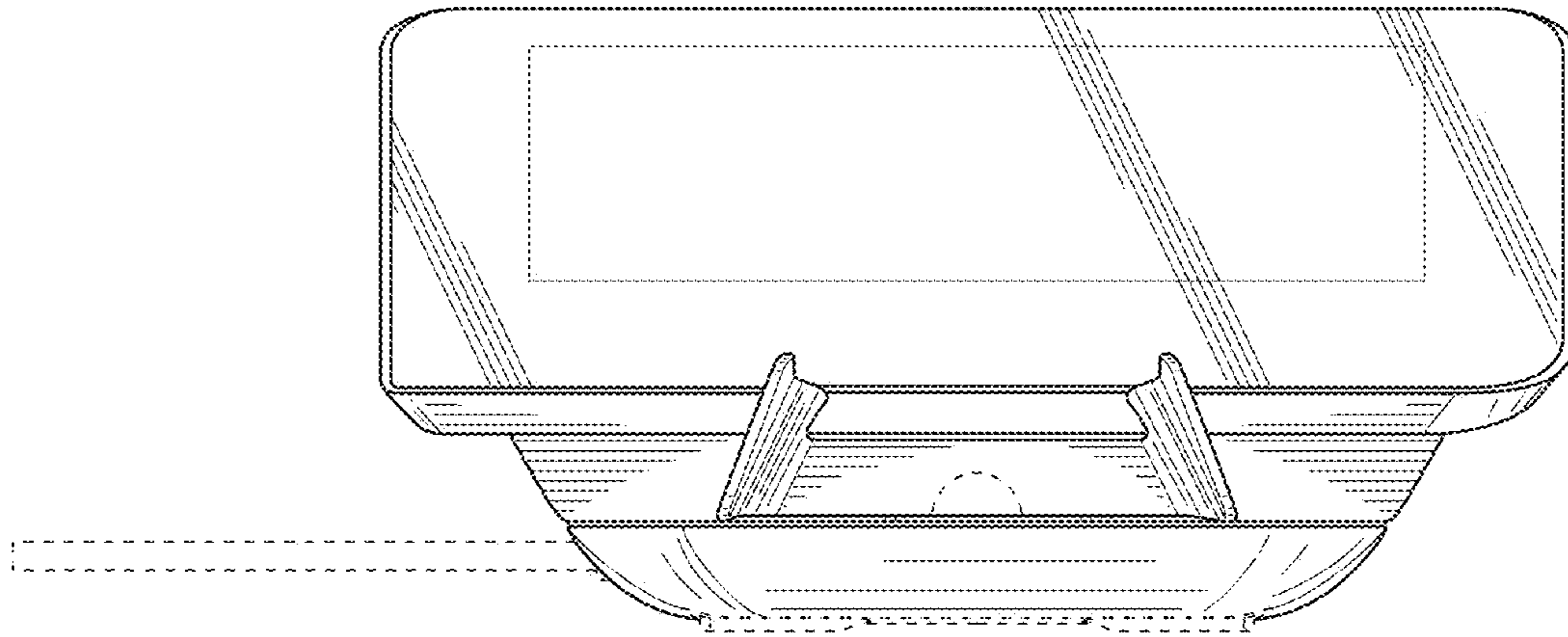


FIG. 2

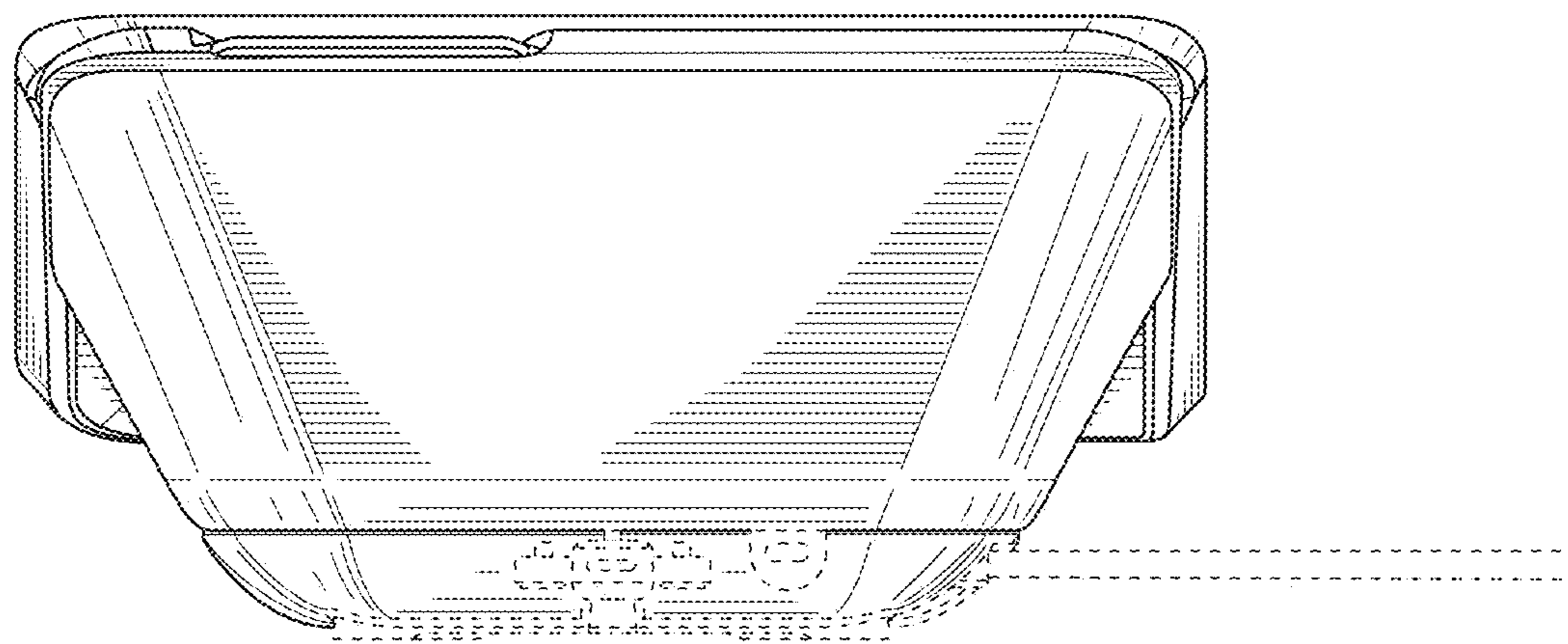


FIG. 3

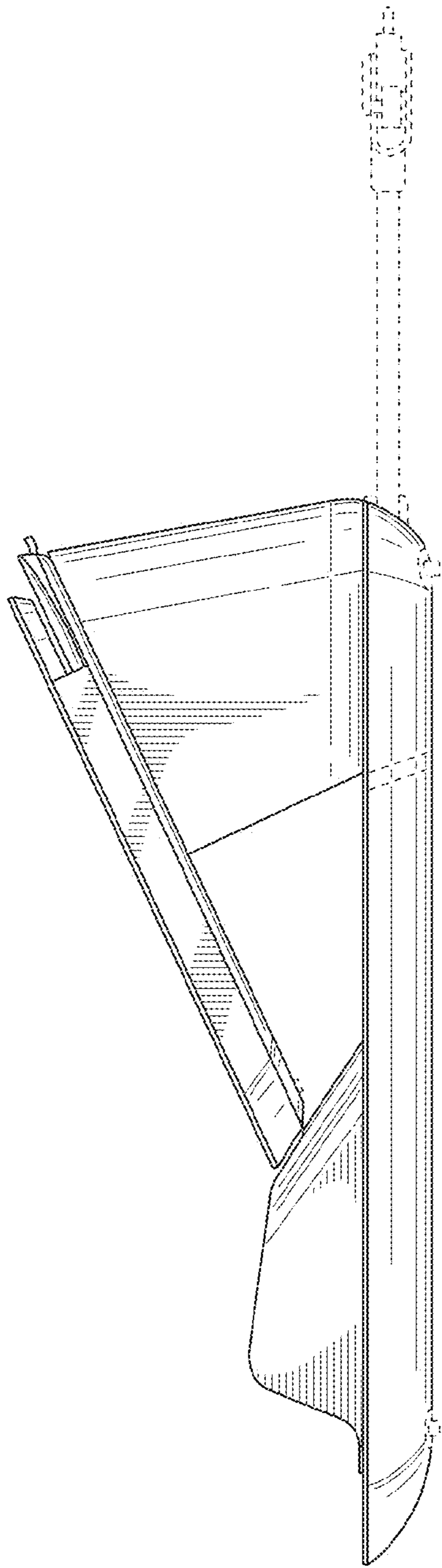


FIG. 4

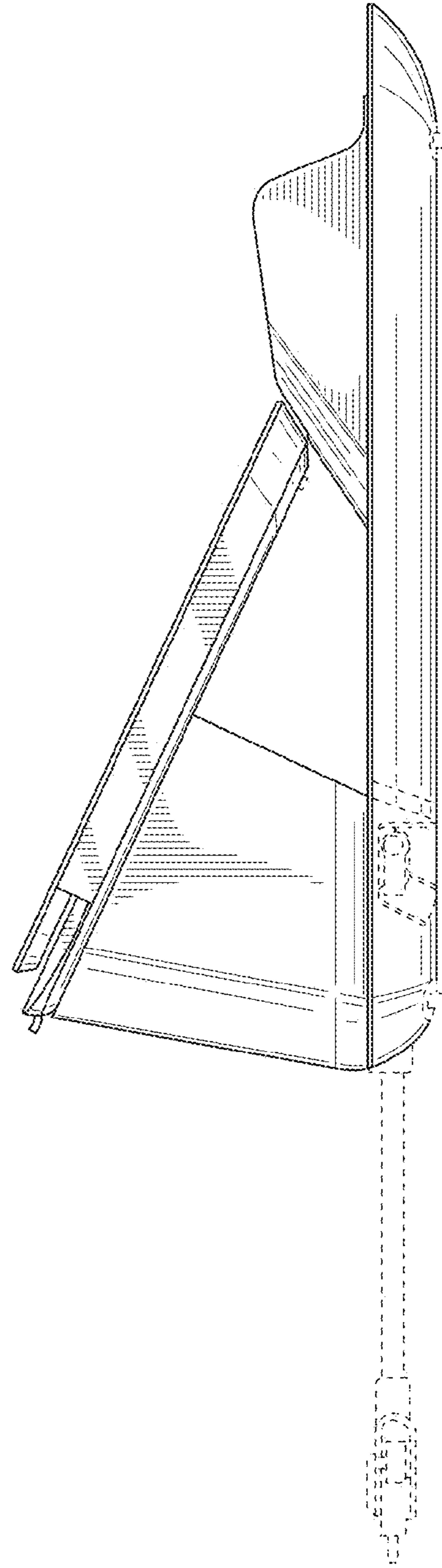


FIG. 5

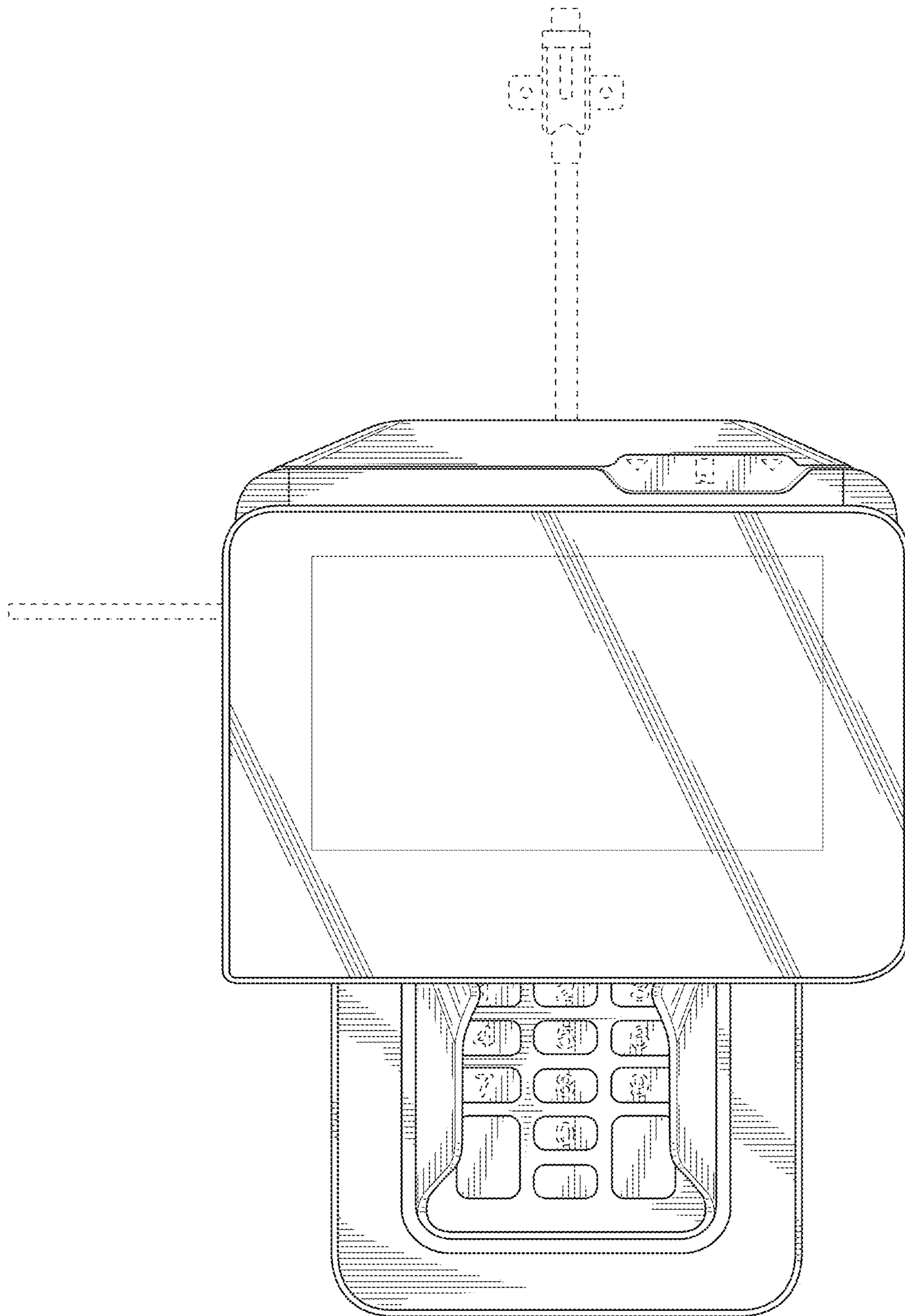


FIG. 6

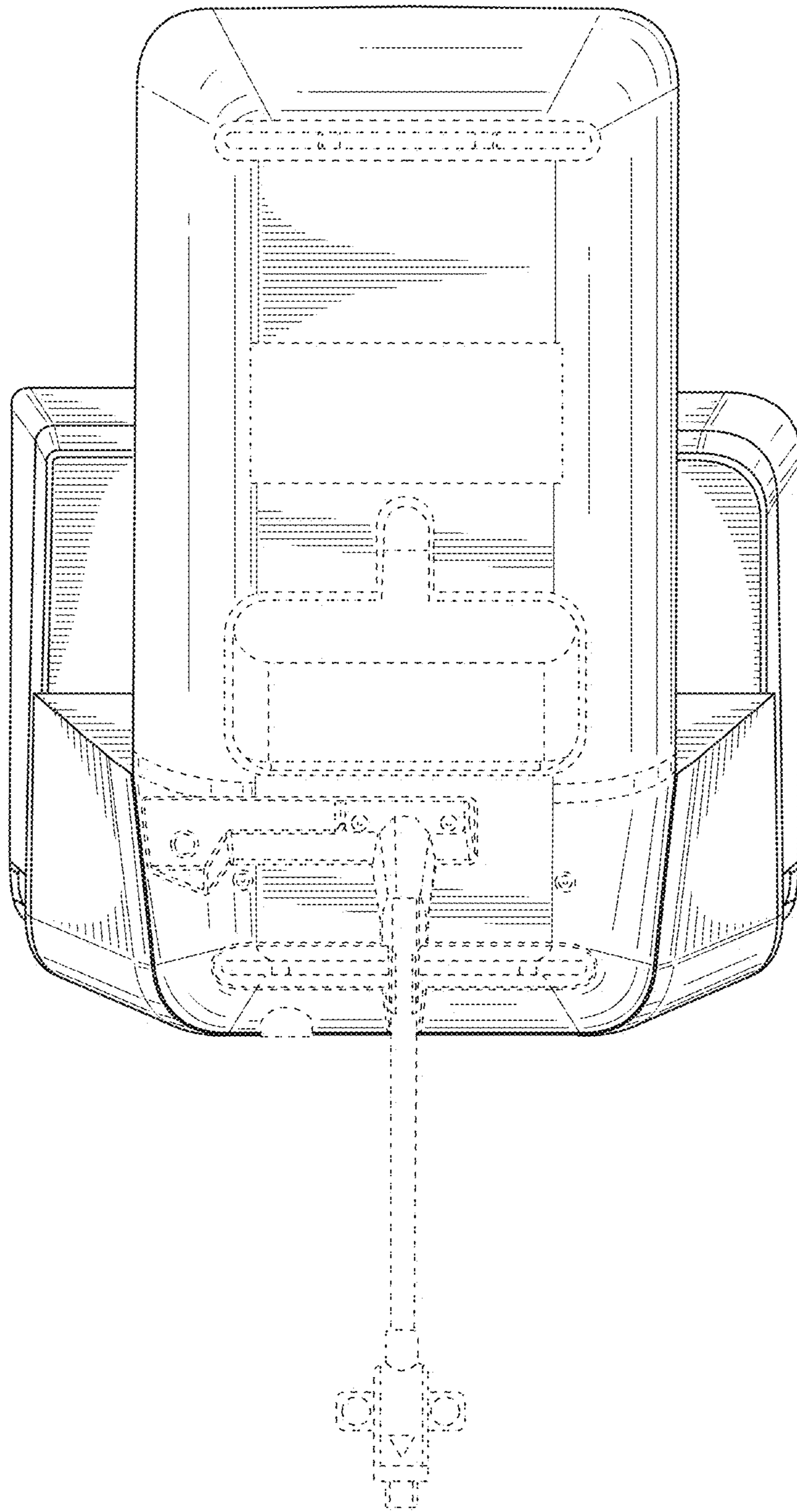


FIG. 7